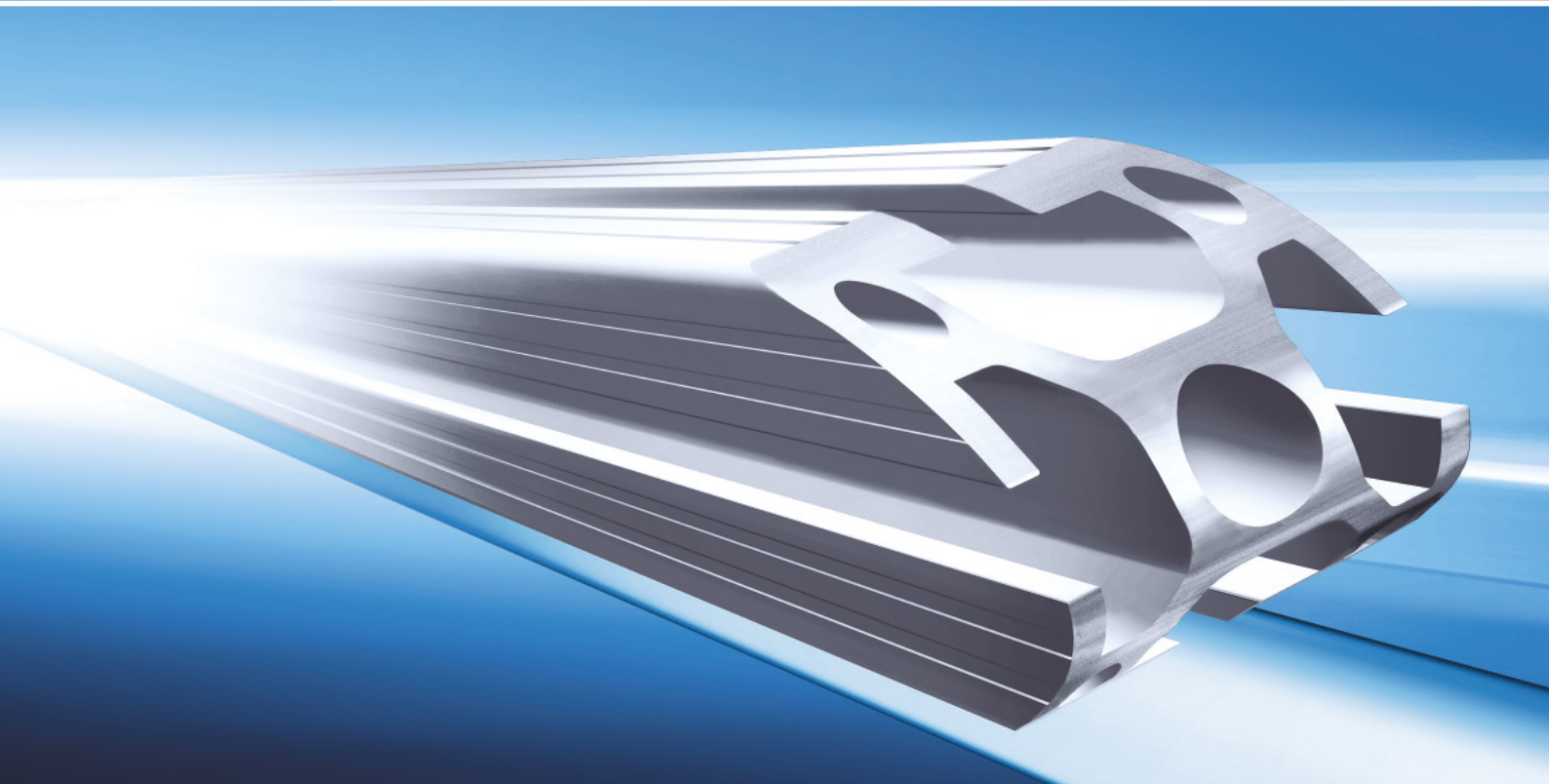


English



» The Profile System

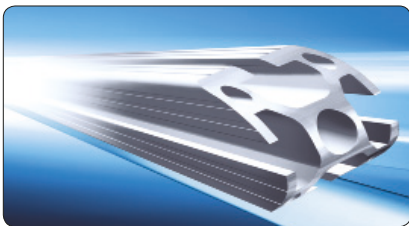
1/2013

 **MayTec[®]**

The key to success!



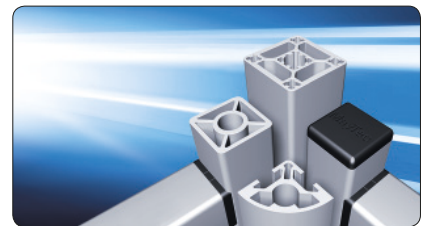
Solutions with Innovative Profile



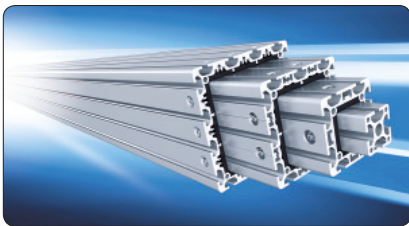
The Profile System



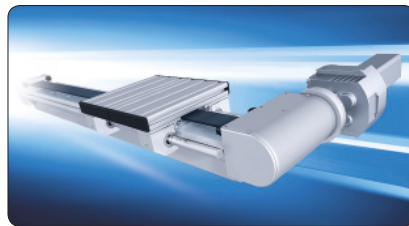
Curved Profiles



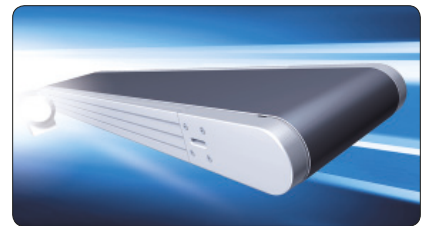
The Clean-Room System



The Telescopic System



The Linear System



The Conveyor System



The Personnel Transfer System



Safety Barriers



The Dust Protection System

The ideal profile system

MayTec offers a comprehensive, harmonised profile system. All profiles can be combined in any way imaginable.

The accessories provide functional and aesthetic solutions for a wide range of applications.

Applications

- machine bases
- machine enclosures
- machine guarding
- work stations

Service

The MayTec service is as versatile as the MayTec profile system.

You may choose:

- delivery of standard elements ex factory
- delivery of profiles and accessories cut to size according to parts list for customer's assembly
- delivery of pre-fitted modular
- delivery of completely assembled units
- assembly at your premises

- assembly and inspection stations
- transfer and supply trolleys
- partitions and protective walls
- protective and work cabins

Implementation

The MayTec profile system is easy to process and quick to assemble. Its flexible and modular construction means it can be easily modified and is reusable at any time.

An experienced team will support you in implementing the MayTec system, tailored to your individual applications, taking into consideration your required dimensions, loading capacity and stability.

- special shelves
- plant equipment
- display systems
- exhibition cabinets and stands

	Table of contents	
	Introduction	1.0
Profiles	Summary	
	Profiles	1.1
	Profile machining	1.1A
	- Coding examples	1.1B
	Technical data	1.1C
	Profile selection range	1.1D
	Profile applications	1.1E
	- Curved profiles	1.1E
Connection system	Summary	
	Connector selection	1.2
	Connectors	1.2A
	- Cross bushings	1.2B
	- Components	1.2C
	- Special cases	1.2D
	Connection possibilities	1.2E
	Connector-Strength values	1.2F
	Connection elements	1.29
Accessories	Summary	
	Fastening elements	1.3
	Installation accessories	1.4
	Pneumatic accessories	1.5
	Additional accessories	1.6
	Electrical accessories	1.7
	Panel elements	1.8
	Washers, screws and tools	1.9
	Subject index	

0
1
2
3
4
5
6
7
8
9

Article number group	Page	Article number group	Page
		Introduction	5
1.01	5	1.1B Profile machining: Coding examples	64
1.02	6	1.1B for price group 1	64
1.03	7	1.1B for price group 2	65
		1.1B for price group 3	66
		1.1B Order example for special design	66
1.1 Profiles	8	1.1C Technical data	67
1.04 Summary: Profiles	8	1.1D Profile selection range	70
1.04 Profiles (plain)	8, 9	1.1E Profile applications	74
1.04 Profiles (with grooves)	9	1.1E.01 Profile combinations	74
1.04 Special profiles (plain)	10	1.1E.01 Special slits	74
1.05 Special profiles	11	1.1E.02 Slot plates	75
1.09 Profile group 16 mm, E3-slot, P	12	1.1E.03 Hand rail	78
1.10 Profile group 16 mm, F-slot, P	12	1.1E.04 U-Profile 40	79
1.10 Profile group 20 mm, H-slot, P	13	1.1E.05 Profiles for cable guide	80
1.11 Profile group 20 mm, F-slot, P	15	1.1E.06 Profiles for cable guide, Profile pre-cut lid	81
1.11 Profile group 30 mm, F / E4-slot, P	16	1.1E.07 Curved profiles	84
1.11 Profile group 40 mm, E3-slot, P	20		
1.11 Profile group 45 mm, E4-slot, P	28	1.2 Connection System	85
1.11 Profile group 50 mm, E4-slot, P	31	1.2 Connectors - Examples	87
1.11 Profile group 60 mm, E4-slot, P	32	1.2 Summary: Connectors	88
1.11 Profiles 48, round, P	33	1.2 Connectors (with machining)	88
1.11 Profiles hexagonal/octagonal, P	33	1.2 Connectors (without machining)	90
1.11 Profile group 30 mm, F-slot	34	1.2 Manufacture a connection	92
1.11 Profile group 40 mm, E3-slot	36	1.2 Connector selection	93
1.11 Profile group 45 mm, E4-slot	40	1.2A Connectors	94
1.11 Profile group 50 mm, E4-slot	42	1.2A for profiles with core hole-Ø 6 mm	94
1.11 Profile group 60 mm, E4-slot	44	1.2A für profiles with core hole-Ø 12 mm	96
1.14 Panel profiles 30, F-slot, P	45	1.2B Connector - Cross bushings	102
1.14 Panel profiles 40, E3-slot, P	46	1.2B Drill dimensions for cross bushings	102
1.14 Panel profiles 50, E4-slot, P	47	1.2B Special cases	103
1.15 Wire net profiles 30, F-slot, P	48	1.2B Mounting variants	103
1.15 Wire net profiles 40, F / E3-slot, P	48	1.2C Connector - Components	105
1.17 Tube profiles 30, P	49	1.2C Connectors for core hole-Ø 6 mm	105
		1.2C Connectors for core hole-Ø 12 mm	106
		1.2D Connector - Special cases	110
		1.2D Parallel connector for profile 30×30, soft	110
		1.2D Universal connector for profile 30×150	110
		1.2D Extension / parallel connector	111
		1.2D Universal connector with knurled cross b.	112
		1.2D SE-Connector	113
		1.2D ST-Connector	114
		1.2D ST-Connector with anchor, screw type	115
		1.2D Connector screw, self-cutting	116
		1.2D Connector kits, standard	117
		1.2D Connector kits, parallel	118
		1.2D Bayonet type connector	119
		1.2D Cross connector	121
		1.2D Parallel connector for subsequent insertion	122
		1.2D Clamping connector	123
		1.2E Connection possibilities	124
		1.2E for 0-slot profiles	124
		1.2E for profiles 40, round	130
		1.2E Special cases	131
		1.2E Other profile systems	132
		1.2F Connector-strength values	133
		1.29 Connection elements	134
		1.29 Retaining plates	134
		1.29 Anti-twist devices	135
		1.29 Clamping levers	137
		Accessories	139
		Summary: Accessories	139
1.01 Symbols, Abbreviations, Special characters	5		
1.02 Slot system	6		
1.03 Numerical key for articles	7		
1.1 Profiles	8		
1.04 Summary: Profiles	8		
1.04 Profiles (plain)	8, 9		
1.04 Profiles (with grooves)	9		
1.04 Special profiles (plain)	10		
1.05 Special profiles	11		
1.09 Profile group 16 mm, E3-slot, P	12		
1.10 Profile group 16 mm, F-slot, P	12		
1.10 Profile group 20 mm, H-slot, P	13		
1.11 Profile group 20 mm, F-slot, P	15		
1.11 Profile group 30 mm, F / E4-slot, P	16		
1.11 Profile group 40 mm, E3-slot, P	20		
1.11 Profile group 45 mm, E4-slot, P	28		
1.11 Profile group 50 mm, E4-slot, P	31		
1.11 Profile group 60 mm, E4-slot, P	32		
1.11 Profiles 48, round, P	33		
1.11 Profiles hexagonal/octagonal, P	33		
1.11 Profile group 30 mm, F-slot	34		
1.11 Profile group 40 mm, E3-slot	36		
1.11 Profile group 45 mm, E4-slot	40		
1.11 Profile group 50 mm, E4-slot	42		
1.11 Profile group 60 mm, E4-slot	44		
1.14 Panel profiles 30, F-slot, P	45		
1.14 Panel profiles 40, E3-slot, P	46		
1.14 Panel profiles 50, E4-slot, P	47		
1.15 Wire net profiles 30, F-slot, P	48		
1.15 Wire net profiles 40, F / E3-slot, P	48		
1.17 Tube profiles 30, P	49		
Special profiles	50		
5.11 Roller profiles	50		
9.11 Telescopic profiles, E3-slot, P	51		
1.19 Special profiles	52		
1.19 Profile pre-cut lids	52		
1.19 Hollow profiles	52		
1.19 Base profiles	52		
1.19 Angle profiles	53		
1.19 Wire net mounting profiles	53		
1.19 Grab handle profiles	53		
1.19 U-profiles	54		
1.19 C-track	54		
1.19 Sliding profiles	54		
1.19 Panel framing profile	54		
1.19 Tubes	55		
1.19 Hinge profiles	55, 56		
1.19 T-Slot profiles	56		
1.19 Slide-slot profiles	57		
1.19 19" profiles	57		
1.19 E-trunking profiles	58		
1.1A Profile machining	60		
1.1A Summary	60		
1.1A Order description	60		
1.1A Order example	60		
1.1A Saw cut	61		
1.1A Cross bushing bore	62		
1.1A Bores	62		
1.1A Cross bore	62		
1.1A Thread	62		
1.1A Direction and Position	63		

Article number group	Page	Article number group	Page
1.3	Fastening elements 142	1.5	Pneumatic accessories 224
1.31	Threaded plates 142	1.51	Profiles for pneumatic applications 224
1.32	T-Nuts 145	1.51	Pneumatic end plates 225
1.33	Spring-nuts 149	1.52	Pneumatic connection plates 230
1.34	T-Slot nuts 150	1.54	Pneumatic extension sets 231
1.34	Rhomboid T-Slot nuts 151	1.55	Pneumatic 90° - connection sets 232
1.34	T-Bolts 152	1.59	Pneumatic accessories 233
1.35	Threaded inserts 154		
1.35	Press-fit threaded inserts 155	1.6	Additional accessories 234
1.4	Installation accessories 157	1.61	Handles 234
1.41	Cover profiles 157	1.61	Handle systems 236
1.41	Reducing profiles 158	1.61	Grab handles 238
1.41	Combination profiles 159	1.62	Hinges 239
1.41	Guide profile 163	1.62	Double hinge 245
1.41	Framing profiles 164, 169	1.63	Joints 255
1.41	Wedge profiles 165	1.64	Mounting blocks 259
1.41	Sponge rubber round cords 166	1.64	Mounting clamp blocks 262
1.41	Sealing profile 168	1.64	Quick locks 265
1.41	Rubber cover-profiles 172	1.65	Bullet catches 267
1.42	Cover caps for profiles 173	1.65	Magnetic lock 269
1.42	Cover plugs for cross bushings 176	1.65	Lock 270
1.42	Cover caps for tubes 177	1.65	Cylinder locks 271
1.42	Cover caps for screw bores 177	1.65	Flap-lock countersunk 273
1.43	Radius covers 178	1.65	Cylinder locks flush 273
1.43	Radius compensations 180	1.65	Mortise deadlocks 275
1.44	Floor levelling screws 181	1.65	Bar locks 279
1.44	Levelling feet 181, 183	1.65	Latch locks 283
1.44	Hand adjustable feet 182	1.66	Rollers 284
1.44	Levelling furniture foot 183	1.66	Roller fastening sets 286
1.44	Adjustable tilt-feet 184	1.66	Mounting adaptor for roller 290
1.44	plates 185	1.66	Edge roller 291
1.44	spindles 187	1.66	Roller fitting for suspended doors 292
1.44	nuts 187	1.66	Stopper for suspended doors 293
1.44	anti-slip discs 188	1.66	Accessories for suspended doors 293
1.44	cushion elements 188	1.66	Runner for sliding suspended doors 294
1.44	Angular adjusting feet 189	1.66	Stopper for sliding suspended doors 295
1.44	Base feet 190	1.67	Slot rollers 296
1.44	Base angle 196	1.67	Guidance system 297
1.44	Stacking foot 196	1.67	Sliding blocks 298
1.45	Castors 197	1.67	T-Nut sliding blocks 299
1.45	Fixed castors 197	1.67	Eco-Slides 300
1.45	Swivel castors 198	1.68	Hanging bracket 304
1.45	Swivel castors lockable 198	1.69	Suspended glider 305
1.45	Locking castors 199	1.69	Carabine swivel 305
1.46	Angles 201	1.7	Electrical accessories 306
1.46	Aluminium 201, 210	1.70	Potential equalisation, grounding connectors 306
1.46	PA 202	1.70	Ground connections 307
1.46	GD-Zn 203	1.71	Cable and hose clamp 308
1.46	GD-Al 209	1.71	(Cross-) blocks for cable binder, cable binder 309
1.46	Swivel angles 211	1.71	Installation rings 310
1.47	Cross connection plates 212	1.72	Mounting set for 19" profile 311
1.47	Base plates 213	1.73	Safety switches 312
1.47	Floor mounting plate 215	1.73	Guard locking devices 313
1.47	Mounting plates 216	1.73	Safety interlocking-mountings 314
1.47	Floor plate 216	1.73	Contact bracket-mounting 315, 318
1.47	Connection plates 217	1.73	Sensor brackets 319
1.47	Fastening plate 218	1.74	Electrical installation trunking 320
1.47	Eye bolt 219	1.74	Electrical installation trunking - Accessories 321
1.48	Corner pieces 220	1.75	Electrical installation trunking 324
1.48	GD-Zn 220	1.75	for clips 327
1.48	Aluminium 222		

Article number group	Page
1.8 Panel elements 328	
1.81 Corner elements 328	328
1.81 Corner element 33 329	329
1.81 Mounting sockets 330	330
1.82 Panel elements 331	331
1.82 Chipboards, coated 332	332
1.83 Solid plastic panels 332	332
1.85 Alu-plastic composite panels 333	333
1.86 Acrylic 333	333
1.87 Polycarbonate (Makrolon) 334	334
1.88 Wire net, Alu 334	334
1.88 Wire net, steel 335	335
1.88 Grid, steel 335	335
1.9 Washers, screws and tools 336	
1.90 Self locking washers 336	336
1.90 Button head screws 338	338
1.98 Press in device 338	338
1.98 Tx screw driver 338	338
1.99 Summary: Tools for cross bushings and anchors 339	339
1.99 Drill Jigs 340, 342	340, 342
1.99 Milling cutters 341, 343	341, 343
1.99 Drills 341, 343	341, 343
1.99 Tools: Special cases 344	344
1.99 Screw taps 345	345
Subject index 347	

General

Profile group

16 mm, 20 mm, 30 mm, 40 mm, 45 mm, 50 mm, 60 mm

The profiles of the MayTec Profile System are divided into seven **profile groups (PG)**. They can be determined by the basic measure of each profile.

Slot

H-slot, F-slot, E-slot

In order to connect the profiles or to mount accessories the profiles have slots. The MayTec Slot System (→ 1.02) distinguishes between the three slot types H-slot, F-slot and E-slot, whereas E-slot exists as **E3-slot** and **E4-slot** (3 or 4 mm wall thickness).

Symbols

Many articles (fastening elements, accessories and tools) can only be used especially for individual profile groups or slot types.

In this case these articles are marked with the corresponding symbols.



Profile group

dark symbol: suitable for the corresponding profile group

light symbol: not suitable

Slot type

dark symbol: suitable for the corresponding slot type

light symbol: not suitable

Remark

The symbol for the E-slot is used, if the article is (un)suitable for the two slot types E3 and E4.



Cut

These articles are offered with cut.



Stainless steel

These articles are made of stainless steel.



Cleanroom

These articles are suitable for the use in and around cleanrooms.



Attention!

Important notice





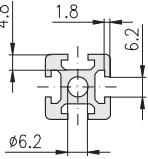




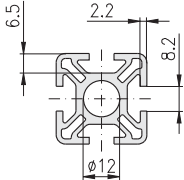




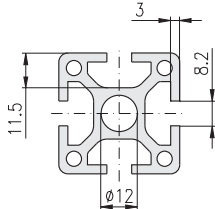




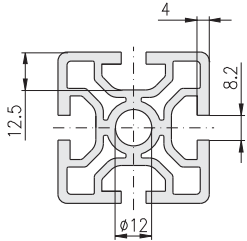
Abbreviations

PG	profile group	e.g.: PG 30 = profile group 30 mm
L	light	profile characteristic: light type of construction
S	heavy	profile characteristic: heavy type of construction
X	extra heavy	profile characteristic: extra heavy type of construction
P	plain	profile characteristic: no ornamental slots

Special characters

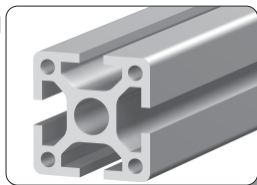
<input type="checkbox"/>	Placeholder	Example	identifies the articles:
	Article-No.	1.41.5□□□□	1.41.5F0.1 1.41.5F0.2 1.41.5E0.1 1.41.5E0.2

	Example	Reference
→	117	to catalogue page
	1.41	to article number group
	1.41.710.2	to single article
	1.41.5□□□□	to group of articles

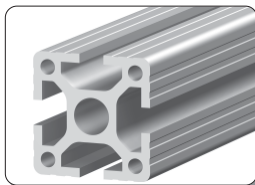
Cross section of slots		Core hole-Ø	Slot width	Slot depth	Wall thickness	PG	
H-slot    		6.2	6.2	4.8	1.8	20	
F-slot    		12.0	8.2	6.5	2.2	20	
							30
E3-slot    		12.0	8.2	11.5	3.0	40	
E4-slot    		12.0	8.2	12.5	4.0	45	
							50
							60

16	plain	16x40		16x40 16x80				16x40 16x80																										
		L	1F LP	L	1E LP	2E LP	4E LP	S	1E SP	2E SP																								
20	plain	20x20		20x40		40x40		20x10 20x30 20x30																										
		L	2H LP	4H LP	L	1F LP	1F LP	2F LP	S	2F SP																								
30	plain	30x30		30x60		30x100		30x150		60x60																								
		L	1F LP	2F c.LP	2F LP	3F LP	4F LP	L	2F s.SP	0F SP	1F SP	2F c.SBP	2F SP	3F SP	4F SP	0F SP	6F LP	6F SP	8F SP	9F SP	10F SP	8F SP	0F SP	S	5E 2F SP									
40	plain	E3 40x40		40x60		40x80		40x160		80x80																								
		L	2E s.LP	1E LP	2E c.LP	2E LP	3E LP	4E LP	0E LP	0E LP	3E c.LP	4E LP	4E LBP	5E LP	6E LP	6E LP	10E LP	0E LP	4E c.LP	6E LP	8E LP	L	2F LP	2E LP	2E LP	2E LP	S	6E SP	6E SP	6E XP	2E 45° LP	3E 45° LP	7E 45° LP	7E SBP
45	plain	E4 45x45		45x60		45x90		90x90																										
		L	2E s.LP	0E LP	1E LP	2E c.LP	2E LP	3E LP	4E LP	4E LP	0E LP	6E LP	8E LP	S	4E SP	4E SP	0E SP	6E SP	8E SP															
50	plain	E4																																
		L	S																															
60	plain	E4 60x60																																
		L	2E LP	4E LP	S	2E SP	4E SP																											

plain



without grooves

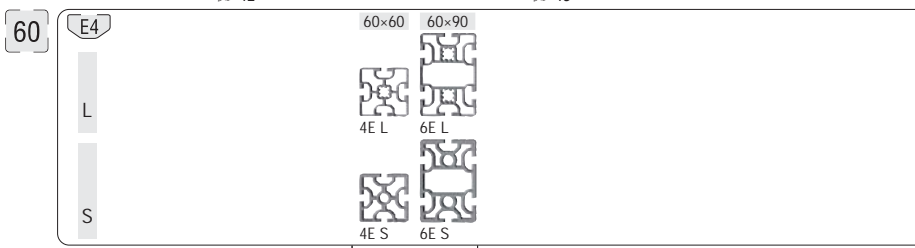
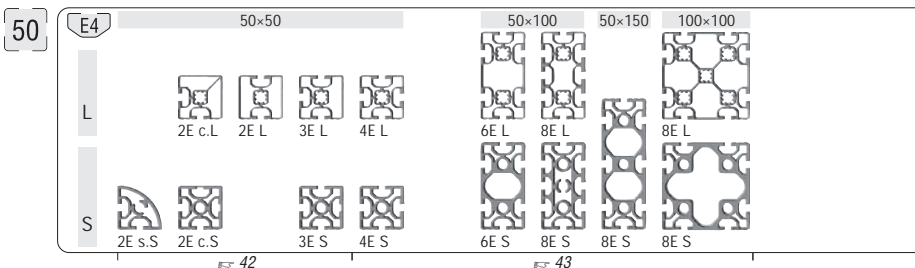
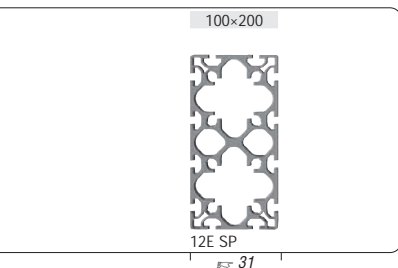
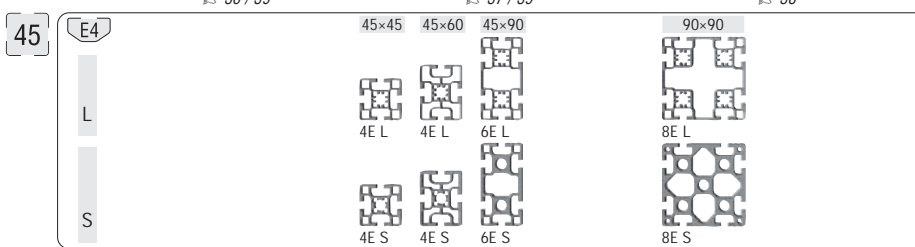
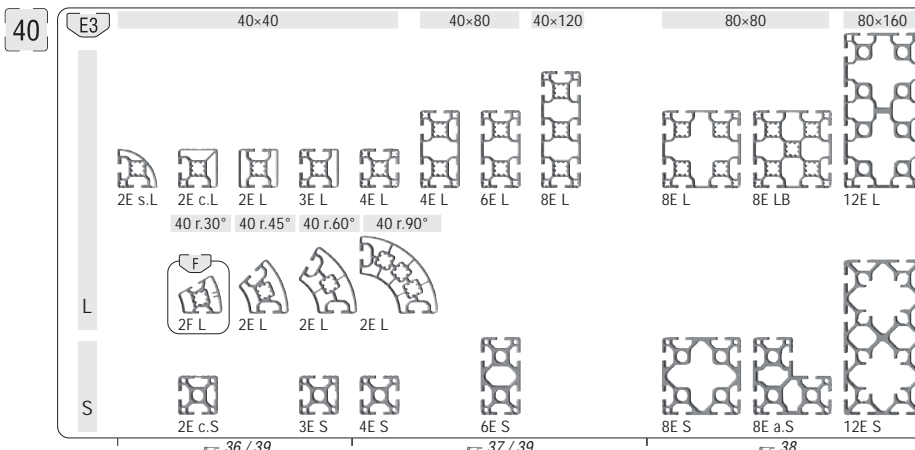
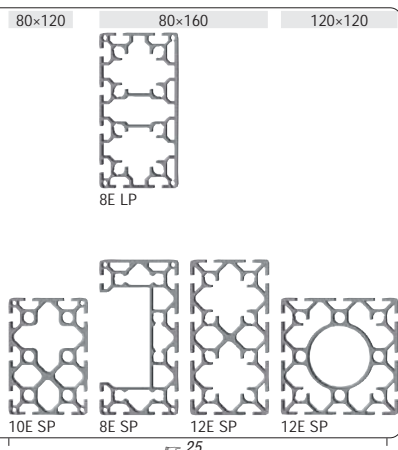
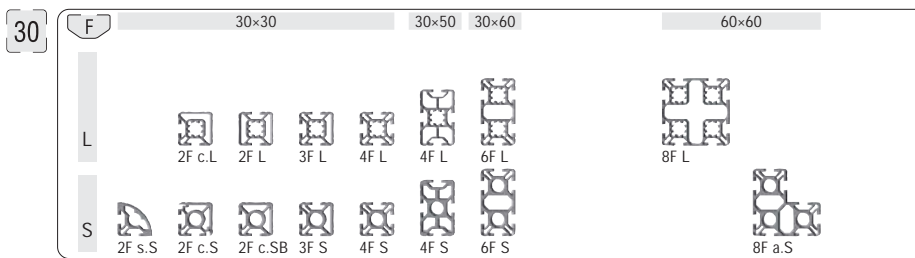
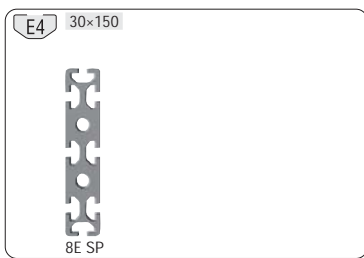


with grooves

16	20	30	40	45	50	60	Profile group
S							Special profiles
H F E							Slot type
plain							plain

L	light
S	heavy
X	extra heavy
P	plain
B	type B

hexag.	hexagonal
octag.	octagonal
c.	corner
r.	round
s.	soft
a.	angle



S
plain

Profiles

Round	hexagonal	octagonal
48 round	30 hexag. 40 hexag.	30 octag. 40 octag.
 1E SP 2E c.SP 2E SP	 6F SP 6E SP	 8F SP 8E SP

FR 33

Available only in USA!

Inch profiles

1
plain

1.5
plain

F	1"x1"	2"x2"		
L				
S	 4F SP	 8F SP		
E	1.5"x1.5"	1.5"x3"	3"x3"	3"x6"
L	 4E LP	 6E LP		
S	 4E SP	 6E SP	 8E SP	 12E SP

S
30
plain

Safety barrier profiles

Panel profiles	Wire net profiles
<p>F 30x30 30x50</p> 0F LP 2F c.LP 4 3F LP 4 3F LP 4 2F LP 5 2F LP 5 2F LP 6	<p>30x30 30x45</p> 2F LP 7.5 2F LP 7.5
<p>E3 40x40 40x60 60x80</p> 2E c.LP 4 3E LP 4 3E LP 4 5E LP 4 6E LP 4	<p>40x40 40x60</p> 2E LP 7.5 2E 1F LP 7.5
<p>E4 50x50</p> 2E c.LP 4 3E LP 4	

FR 45-47 FR 48

S
30
plain

Tube profiles

30x60 30x100

FR 49

S
plain

Roller profiles

63/31 SBP 103/53 SBP 152/75 SBP

FR 50

S
40
plain

Telescopic profiles

E3 40x40 80x80 120x120 160x160

8E SBP 12E SP 16E SP

FR 51

S
plain

E-trunking profiles

Lid 40 Lid 80 Lid 200 Profile pre-cut lid 120

40x20 40x20 40x40 40x80 80x40 80x80 200x50 80x160 8E SP

for clips

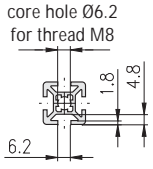

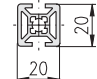
FR 58 FR 59

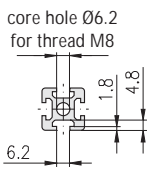

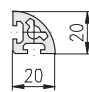

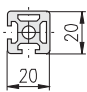

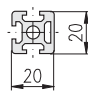
<p>Profile pre-cut lids</p> <p>52 Profile pre-cut lid 30 Profile pre-cut lid 40 Profile pre-cut lid 50 Profile pre-cut lid 120</p>	<p>Tubes</p> <p>55 Tube Ø20x2 Tube Ø30x3 Tube Ø40x4</p>
<p>Hollow profiles</p> <p>52 Hollow profile Ø20 Hollow profile Ø30 Hollow profile Ø40</p>	<p>Hinge profiles 1.5 mm</p> <p>55 Type A, PG 20 - 1.5 Type A, PG 30 - 1.5 Type A, PG 40 - 1.5 Type A, PG 50 - 1.5</p>
<p>Base profiles</p> <p>52 Base profile Ø20 Base profile Ø30 Base profile Ø40</p>	<p>Hinge profiles 2.0 mm / 5.0 mm</p> <p>55 Type B, 40 mm - 2.0 Type B, 50 mm - 2.0 Type C, 30 mm - 2.0 Ø12 5.0</p>
<p>Angle profiles</p> <p>53 Angle profile 48x48 Angle profile 60x60 Angle profile 100x100</p>	<p>Hinge profiles 3.0 mm</p> <p>56 Type A, PG 30 - 3.0 Type A, PG 40 - 3.0 Type A, PG 50 - 3.0 Type B, 50 mm - 3.0</p>
<p>Wire net mounting profiles</p> <p>53 Wire net mounting profile Wire net mounting profile 33x10</p>	<p>T-Slot profiles Steel</p> <p>56 T-Slot profile, steel, F T-Slot profile, steel, E T-Slot profile, steel, subs. ins. F T-Slot profile, steel, subs. ins. E</p>
<p>Grab handle profiles</p> <p>53 Grab handle profile Grab handle profile</p>	<p>T-Slot profiles PA</p> <p>56 T-Slot profile, PA, F T-Slot profile, PA, E</p>
<p>U-profiles, C-track</p> <p>54 U-profile 25x25x2 U-profile 40 U-profile 45x90 C-track</p>	<p>Slide-slot profiles PA</p> <p>57 Slide-slot profile, PA, F Slide-slot profile, PA, E3 Slide-slot profile, PA, E4</p>
<p>Sliding profiles</p> <p>54 Sliding profile 30x14 Sliding profile 30x26 Sliding profile 33x14 Sliding profile 33x26</p>	<p>Slide-slot profiles PA</p> <p>57 Slide-slot profile, PA, F/E3 Slide-slot profile, PA, F/E4 Slide-slot profile, PA, E3/E4</p>
<p>Sliding profile, Panel framing profile</p> <p>54 Sliding profile 50x14 Panel framing profile 30x8,5</p>	<p>19" profiles</p> <p>57 19" profile, PG 30 19" profile, PG 40 19" profile, PG 50</p>



light				
Description	Profile 16×40, 1F, LP	Profile 16×40, 1E, LP	Profile 16×80, 2E, LP	Profile 16×160, 4E, LP
bar, 6 m	1.10.016040.14LP.60	1.09.016040.14LP.60	1.09.016080.24LP.60	1.09.016160.44LP.60
packing unit (number)	1.10.016040.14LP.61 (20)	1.09.016040.14LP.61 (20)	1.09.016080.24LP.61 (10)	1.09.016160.44LP.61 (5)
moment of inertia cm ⁴	$I_x = 4.4$ $I_y = 0.8$	$I_x = 4.3$ $I_y = 0.8$	$I_x = 30.7$ $I_y = 1.6$	$I_x = 221.0$ $I_y = 3.2$
moment of resistance cm ³	$W_x = 2.2$ $W_y = 0.8$	$W_x = 2.2$ $W_y = 0.8$	$W_x = 7.7$ $W_y = 1.6$	$W_x = 27.5$ $W_y = 3.2$
weight kg/m	$G = 0.87$	$G = 0.75$	$G = 1.49$	$G = 2.6$

heavy				
Description	Profile 16×40, 1F, SP	Profile 16×40, 1E, SP	Profile 16×80, 2E, SP	
bar, 6 m	1.10.016040.14SP.60	1.09.016040.14SP.60	1.09.016080.24SP.60	
packing unit (number)	1.10.016040.14SP.61 (20)	1.09.016040.14SP.61 (20)	1.09.016080.24SP.61 (10)	
moment of inertia cm ⁴	$I_x = 5.3$ $I_y = 1.0$	$I_x = 7.2$ $I_y = 1.1$	$I_x = 48.3$ $I_y = 2.2$	
moment of resistance cm ³	$W_x = 2.7$ $W_y = 1.0$	$W_x = 3.6$ $W_y = 1.1$	$W_x = 12.0$ $W_y = 2.2$	
weight kg/m	$G = 1.0$	$G = 1.14$	$G = 2.11$	

light				
			 	
Description			Profile 20×20, 2H, LP	
bar, 6 m			1.10.020020.23LP.60	
packing unit (number)			1.10.020020.23LP.61 (10)	
moment of inertia cm ⁴ moment of resistance cm ³ weight kg/m			$I_x = 1.0$ $I_y = 0.8$ $W_x = 1.0$ $W_y = 0.8$ $G = 0.58$	

heavy				
	 	 	 	
Description	Profile 20×20, 2H, soft, SP	Profile 20×20, 2H, corner, SP		Profile 20×20, 3H, SP
bar, 6 m	1.10.020020.21SP.60	1.10.020020.22SP.60		1.10.020020.33SP.60
packing unit (number)	1.10.020020.21SP.61 (10)	1.10.020020.22SP.61 (10)		1.10.020020.33SP.61 (10)
moment of inertia cm ⁴ moment of resistance cm ³ weight kg/m	$I_x = 0.6$ $I_y = 0.6$ $W_x = 0.6$ $W_y = 0.6$ $G = 0.52$	$I_x = 1.0$ $I_y = 1.0$ $W_x = 0.9$ $W_y = 0.9$ $G = 0.68$		$I_x = 0.9$ $I_y = 0.9$ $W_x = 0.9$ $W_y = 0.9$ $G = 0.65$

<div style="border: 1px solid gray; border-radius: 10px; padding: 2px 10px; display: inline-block;">light</div>				
Description	Profile 20×20, 4H, LP		Profile 20×40, 6H, LP	Profile 40×40, 8H, LP
bar, 6 m	1.10.020020.43LP.60		1.10.020040.64LP.60	1.10.040040.83LP.60
packing unit (number)	1.10.020020.43LP.61 (10)		1.10.020040.64LP.61 (10)	1.10.040040.83LP.61 (10)
moment of inertia cm ⁴	$I_x = 0.8$ $I_y = 0.8$		$I_x = 5.3$ $I_y = 1.4$	$I_x = 10.0$ $I_y = 10.0$
moment of resistance cm ³	$W_x = 0.8$ $W_y = 0.8$		$W_x = 2.6$ $W_y = 1.4$	$W_x = 5.0$ $W_y = 5.0$
weight kg/m	$G = 0.53$		$G = 0.9$	$G = 1.5$





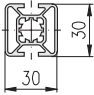
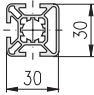
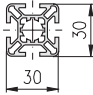
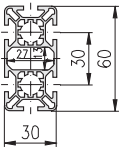
<div style="border: 1px solid gray; border-radius: 10px; padding: 2px 10px; display: inline-block;">heavy</div>				
Description	Profile 20×20, 4H, SP	Profile 20×40, 4H, SP	Profile 20×40, 6H, SP	
bar, 6 m	1.10.020020.43SP.60	1.10.020040.44SP.60	1.10.020040.64SP.60	
packing unit (number)	1.10.020020.43SP.61 (10)	1.10.020040.44SP.61 (10)	1.10.020040.64SP.61 (10)	
moment of inertia cm ⁴	$I_x = 0.9$ $I_y = 0.9$	$I_x = 7.0$ $I_y = 2.0$	$I_x = 6.4$ $I_y = 1.7$	
moment of resistance cm ³	$W_x = 0.9$ $W_y = 0.9$	$W_x = 3.5$ $W_y = 2.0$	$W_x = 3.2$ $W_y = 1.7$	
weight kg/m	$G = 0.62$	$G = 1.3$	$G = 1.3$	






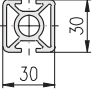
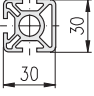
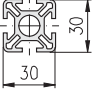
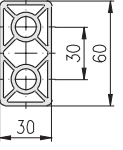
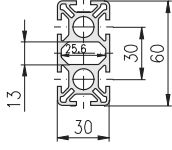
light				
Description	Profile 20×10, 1F, LP	Profile 20×30, 1F, LP	Profile 20×30, 2F, LP	
bar, 6 m	1.11.020010.14LP.60	1.11.020030.14LP.60	1.11.020030.24LP.60	
packing unit (number)	1.11.020010.14LP.61 (10)	1.11.020030.14LP.61 (10)	1.11.020030.24LP.61 (10)	
moment of inertia cm ⁴	$I_x = 0.1$ $I_y = 0.6$	$I_x = 2.2$ $I_y = 1.4$	$I_x = 2.2$ $I_y = 1.5$	
moment of resistance cm ³	$W_x = 0.2$ $W_y = 0.5$	$W_x = 1.5$ $W_y = 1.4$	$W_x = 1.5$ $W_y = 1.5$	
weight kg/m	$G = 0.35$	$G = 0.7$	$G = 0.74$	

heavy				
Description			Profile 20×30, 2F, SP	
bar, 6 m			1.11.020030.24SP.60	
packing unit (number)			1.11.020030.24SP.61 (10)	
moment of inertia cm ⁴			$I_x = 2.6$ $I_y = 1.9$	
moment of resistance cm ³			$W_x = 1.7$ $W_y = 1.7$	
weight kg/m			$G = 1.0$	


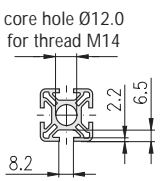
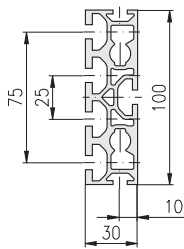

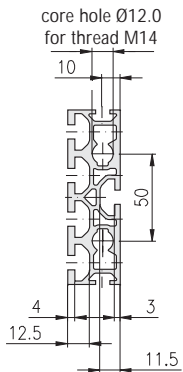
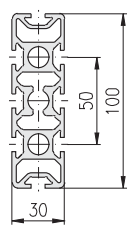

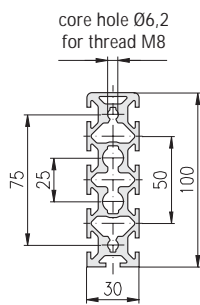
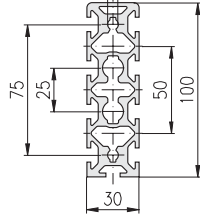
light				
<p>core hole Ø12.0 for thread M14</p>				
Description			Profile 30×30, 1F, LP	Profile 30×30, 2F, corner, LP
bar, 6 m			1.11.030030.13LP.60	1.11.030030.22LP.60
packing unit (number)			1.11.030030.13LP.61 (10)	1.11.030030.22LP.61 (10)
moment of inertia cm ⁴			$I_x = 3.1$ $I_y = 3.1$	$I_x = 3.2$ $I_y = 3.2$
moment of resistance cm ³			$W_x = 2.1$ $W_y = 2.1$	$W_x = 2.1$ $W_y = 2.1$
weight kg/m			G = 0.9	G = 0.9

heavy				
<p>core hole Ø12.0 for thread M14</p>				
Description	Profile 30×30, 2F, soft, SP	Profile 30×30, 0F, SP	Profile 30×30, 1F, SP	Profile 30×30, 2F, corner, SBP
bar, 6 m	1.11.030030.21SP.60	1.11.030030.03SP.60	1.11.030030.13SP.60	1.11.030030.22SBP.60
packing unit (number)	1.11.030030.21SP.61 (10)	1.11.030030.03SP.61 (10)	1.11.030030.13SP.61 (10)	1.11.030030.22SBP.61(10)
moment of inertia cm ⁴	$I_x = 2.7$ $I_y = 2.7$	$I_x = 4.4$ $I_y = 4.4$	$I_x = 4.3$ $I_y = 4.0$	$I_x = 3.7$ $I_y = 3.7$
moment of resistance cm ³	$W_x = 1.6$ $W_y = 1.6$	$W_x = 2.3$ $W_y = 2.3$	$W_x = 2.9$ $W_y = 2.6$	$W_x = 2.4$ $W_y = 2.4$
weight kg/m	G = 0.9	G = 1.3	G = 1.2	G = 1.1

				
				
Profile 30×30, 2F, LP	Profile 30×30, 3F, LP	Profile 30×30, 4F, LP		Profile 30×60, 6F, LP
1.11.030030.23LP.60	1.11.030030.33LP.60	1.11.030030.43LP.60		1.11.030060.64LP.60
1.11.030030.23LP.61 (10)	1.11.030030.33LP.61 (10)	1.11.030030.43LP.61 (10)		1.11.030060.64LP.61 (6)
$I_x = 3.2$ $I_y = 3.2$ $W_x = 2.1$ $W_y = 2.1$ $G = 0.9$	$I_x = 3.3$ $I_y = 3.2$ $W_x = 2.2$ $W_y = 2.2$ $G = 0.9$	$I_x = 3.3$ $I_y = 3.3$ $W_x = 2.2$ $W_y = 2.2$ $G = 0.9$		$I_x = 21.2$ $I_y = 5.7$ $W_x = 7.0$ $W_y = 3.8$ $G = 1.6$

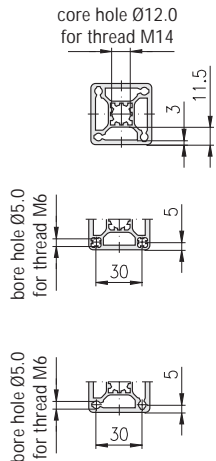



				
				
Profile 30×30, 2F, SP	Profile 30×30, 3F, SP	Profile 30×30, 4F, SP	Profile 30×60, 0F, SP	Profile 30×60, 6F, SP
1.11.030030.23SP.60	1.11.030030.33SP.60	1.11.030030.43SP.60	1.11.030060.04SP.60	1.11.030060.65SP.60
1.11.030030.23SP.61 (10)	1.11.030030.33SP.61 (10)	1.11.030030.43SP.61 (10)	1.11.030060.04SP.61 (6)	1.11.030060.65SP.61 (6)
$I_x = 3.6$ $I_y = 3.9$ $W_x = 2.4$ $W_y = 2.6$ $G = 1.1$	$I_x = 3.5$ $I_y = 3.7$ $W_x = 2.4$ $W_y = 2.4$ $G = 1.1$	$I_x = 3.5$ $I_y = 3.5$ $W_x = 2.4$ $W_y = 2.4$ $G = 1.1$	$I_x = 29.0$ $I_y = 7.8$ $W_x = 9.6$ $W_y = 5.2$ $G = 2.2$	$I_x = 25.0$ $I_y = 7.0$ $W_x = 8.3$ $W_y = 4.7$ $G = 2.1$

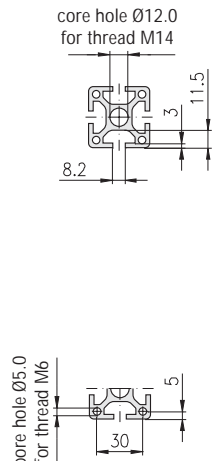


light				
Description				
bar, 6 m				
packing unit (number)				
moment of inertia cm^4				
moment of resistance cm^3				
weight kg/m				






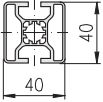
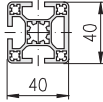
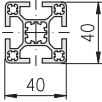
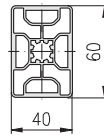
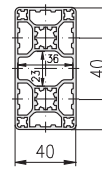
heavy	  	  	  
Description	Profile 30×100, 5E, 2F, SP	Profile 30×100, 8F, SP	Profile 30×100, 9F, SP
bar, 6 m	1.11.030100.74SP.60	1.11.030100.84SP.60	1.11.030100.94SP.60
packing unit (number)	1.11.030100.74SP.61 (4)	1.11.030100.84SP.61 (4)	1.11.030100.94SP.61 (4)
moment of inertia cm^4	$I_x = 108.9$ $I_y = 12.4$	$I_x = 115.0$ $I_y = 11.6$	$I_x = 130.6$ $I_y = 11.9$
moment of resistance cm^3	$W_x = 21.7$ $W_y = 8.3$	$W_x = 22.9$ $W_y = 7.7$	$W_x = 25.9$ $W_y = 7.9$
weight kg/m	$G = 3.5$	$G = 3.4$	$G = 3.6$


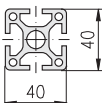


<p>core hole Ø6.2 for thread M8</p>		<p>Connection possibilities ↳ 110, Universal connector ↳ 114, ST-Connector</p>	
<p>Profile 30×100, 10F, SP</p>	<p>Profile 30×150, 8F, SP</p>	<p>Profile 30×150, 8E, SP</p>	<p>Profile 60×60, 0F, SP</p>
<p>1.11.030100.104SP.60</p>	<p>1.11.030150.85SP.60</p>	<p>1.11.030150.84SP.60</p>	<p>1.11.060060.03SP.60</p>
<p>1.11.030100.104SP.61 (4)</p>	<p>1.11.030150.85SP.61 (2)</p>	<p>1.11.030150.84SP.61 (2)</p>	<p>1.11.060060.03SP.61 (6)</p>
<p>$I_x = 127.0$ $I_y = 11.9$ $W_x = 25.4$ $W_y = 7.9$ $G = 3.6$</p>	<p>$I_x = 340.0$ $I_y = 16.0$ $W_x = 45.0$ $W_y = 11.0$ $G = 4.1$</p>	<p>$I_x = 481.0$ $I_y = 25.1$ $W_x = 64.1$ $W_y = 16.7$ $G = 7.9$</p>	<p>$I_x = 58.2$ $I_y = 58.2$ $W_x = 15.5$ $W_y = 15.5$ $G = 4.0$</p>

light				
				
Description	Profile 40×40, 2E, soft, LP		Profile 40×40, 1E, LP	Profile 40×40, 2E, corner, LP
bar, 6 m	1.11.040040.21LP.60		1.11.040040.13LP.60	1.11.040040.22LP.60
packing unit (number)	1.11.040040.21LP.61 (8)		1.11.040040.13LP.61 (8)	1.11.040040.22LP.61 (8)
moment of inertia cm ⁴	$I_x = 6.4$ $I_y = 6.4$		$I_x = 8.5$ $I_y = 8.1$	$I_x = 8.0$ $I_y = 8.0$
moment of resistance cm ³	$W_x = 3.8$ $W_y = 3.8$		$W_x = 4.1$ $W_y = 4.0$	$W_x = 4.0$ $W_y = 4.0$
weight kg/m	$G = 1.2$		$G = 1.3$	$G = 1.3$

heavy				
				
Description		Profile 40×40, 0E, SP		Profile 40×40, 2E, corner, SP
bar, 6 m		1.11.040040.03SP.60		1.11.040040.22SP.60
packing unit (number)		1.11.040040.03SP.61 (8)		1.11.040040.22SP.61 (8)
moment of inertia cm ⁴		$I_x = 12.0$ $I_y = 12.0$		$I_x = 12.0$ $I_y = 12.0$
moment of resistance cm ³		$W_x = 6.0$ $W_y = 6.0$		$W_x = 6.0$ $W_y = 6.0$
weight kg/m		$G = 1.8$		$G = 2.0$

				
				
Profile 40×40, 2E, LP	Profile 40×40, 3E, LP	Profile 40×40, 4E, LP	Profile 40×60, 0E, LP	Profile 40×80, 0E, LP
1.11.040040.23LP.60	1.11.040040.33LP.60	1.11.040040.43LP.60	1.11.040060.04LP.60	1.11.040080.04LP.60
1.11.040040.23LP.61 (8)	1.11.040040.33LP.61 (8)	1.11.040040.43LP.61 (8)	1.11.040060.04LP.61 (8)	1.11.040080.04LP.61 (4)
$I_x = 8.2$ $I_y = 7.5$ $W_x = 4.1$ $W_y = 3.8$ $G = 1.3$	$I_x = 9.4$ $I_y = 10.0$ $W_x = 4.7$ $W_y = 5.0$ $G = 1.5$	$I_x = 9.9$ $I_y = 9.9$ $W_x = 4.9$ $W_y = 4.9$ $G = 1.5$	$I_x = 27.7$ $I_y = 13.1$ $W_x = 9.3$ $W_y = 6.5$ $G = 2.1$	$I_x = 66.8$ $I_y = 18.4$ $W_x = 16.7$ $W_y = 9.2$ $G = 2.7$

				
				
		Profile 40×40, 4E, SP		
		1.11.040040.43SP.60		
		1.11.040040.43SP.61 (8)		
		$I_x = 12.0$ $I_y = 12.0$ $W_x = 6.0$ $W_y = 6.0$ $G = 2.0$		

light					
Description	Profile 40x80, 3E, corner, LP	Profile 40x80, 4E, LP	Profile 40x80, 4E, LBP	Profile 40x80, 5E, LP	
bar, 6 m	1.11.040080.32LP.60	1.11.040080.44LP.60	1.11.040080.44LBP.60	1.11.040080.54LP.60	
packing unit (number)	1.11.040080.32LP.61 (4)	1.11.040080.44LP.61 (4)	1.11.040080.44LBP.61 (4)	1.11.040080.54LP.61 (4)	
moment of inertia cm ⁴	$I_x = 65.2$ $I_y = 17.9$	$I_x = 64.0$ $I_y = 17.9$	$I_x = 74.5$ $I_y = 18.3$	$I_x = 72.2$ $I_y = 18.1$	
moment of resistance cm ³	$W_x = 16.3$ $W_y = 8.9$	$W_x = 16.0$ $W_y = 8.9$	$W_x = 18.6$ $W_y = 9.2$	$W_x = 18.0$ $W_y = 9.0$	
weight kg/m	G = 2.6	G = 2.6	G = 2.8	G = 2.8	

heavy					
Description					
bar, 6 m					
packing unit (number)					
moment of inertia cm ⁴					
moment of resistance cm ³					
weight kg/m					

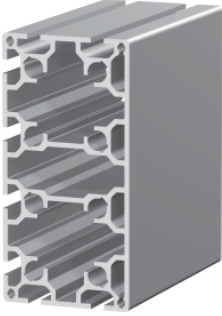
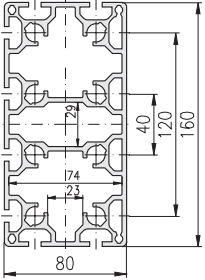
Profile 40x80, 6E, LP	Profile 40x160, 6E, LP	Profile 40x160, 10E, LP
1.11.040080.64LP.60	1.11.040160.64LP.60	1.11.040160.104LP.60
1.11.040080.64LP.61 (4)	1.11.040160.64LP.61 (2)	1.11.040160.104LP.61 (2)
$I_x = 62.7$ $I_y = 17.7$ $W_x = 15.6$ $W_y = 8.8$ $G = 2.5$	$I_x = 450.4$ $I_y = 36.3$ $W_x = 56.3$ $W_y = 18.1$ $G = 5.0$	$I_x = 433.5$ $I_y = 33.1$ $W_x = 54.2$ $W_y = 16.5$ $G = 4.7$

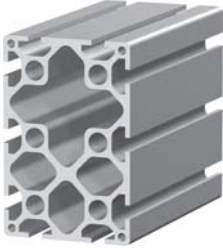
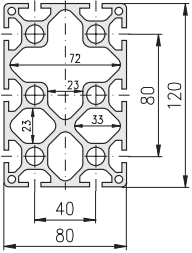
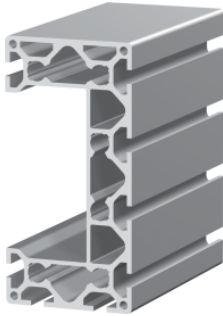

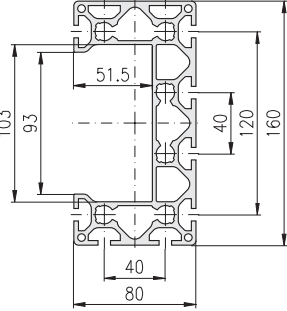
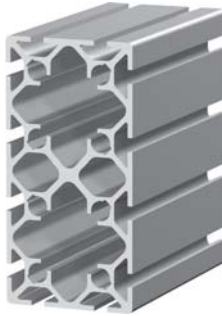
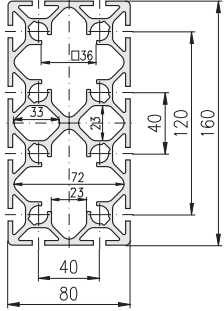
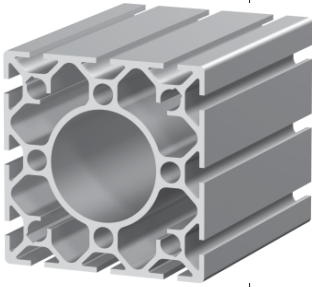
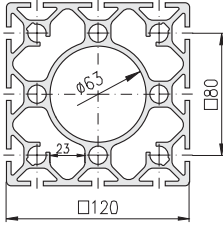
Profile 40x80, 6E, SP		
1.11.040080.64SP.60		
1.11.040080.64SP.61 (4)		
$I_x = 82.0$ $I_y = 23.4$ $W_x = 20.5$ $W_y = 11.7$ $G = 3.8$		




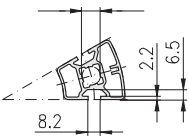
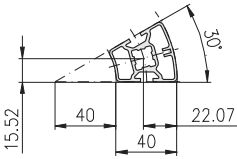
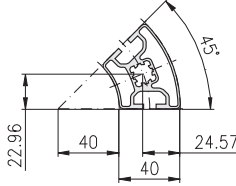
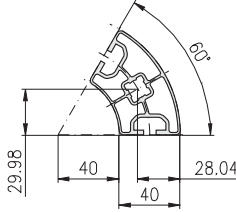
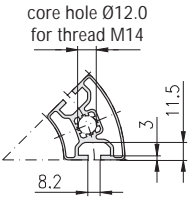
extra heavy
Profile 40x80, 6E, XP
1.11.040080.64XP.60
1.11.040080.64XP.61 (4)
$I_x = 90.0$ $I_y = 27.0$ $W_x = 22.5$ $W_y = 13.5$ $G = 4.4$


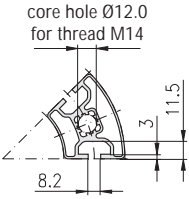
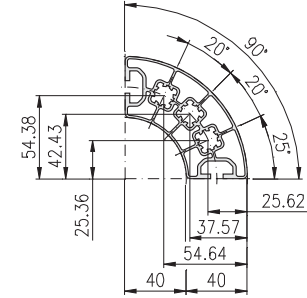
light					
Description	Profile 80×80, OE, LP	Profile 80×80, 4E, corner, LP	Profile 80×80, 6E, LP	Profile 80×80, 8E, LP	
bar, 6 m	1.11.080080.03LP.60	1.11.080080.42LP.60	1.11.080080.63LP.60	1.11.080080.83LP.60	
packing unit (number)	1.11.080080.03LP.61 (2)	1.11.080080.42LP.61 (2)	1.11.080080.63LP.61 (2)	1.11.080080.83LP.61 (2)	
moment of inertia cm ⁴	$I_x = 135.0$ $I_y = 135.0$	$I_x = 128.0$ $I_y = 128.0$	$I_x = 121.3$ $I_y = 116.0$	$I_x = 114.0$ $I_y = 114.0$	
moment of resistance cm ³	$W_x = 33.5$ $W_y = 33.5$	$W_x = 32.0$ $W_y = 32.0$	$W_x = 30.3$ $W_y = 29.0$	$W_x = 28.4$ $W_y = 28.4$	
weight kg/m	G = 4.7	G = 4.5	G = 4.2	G = 4.1	

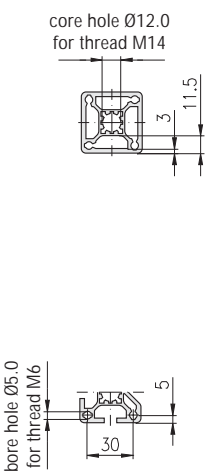

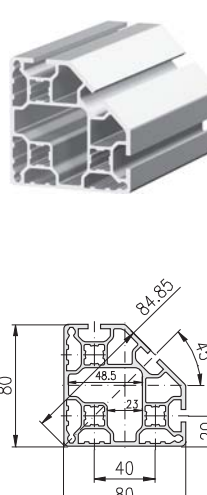
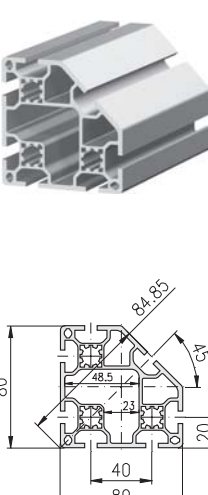
heavy				
Description		Profile 80×80, 7E, SBP	Profile 80×80, 7E, SP	Profile 80×80, 8E, SP
bar, 6 m		1.11.080080.73SBP.60	1.11.080080.79SP.60	1.11.080080.83SP.60
packing unit (number)		1.11.080080.73SBP.61 (2)	1.11.080080.79SP.61 (2)	1.11.080080.83SP.61 (2)
moment of inertia cm ⁴		$I_x = 145.0$ $I_y = 141.0$	$I_x = 173.0$ $I_y = 160.0$	$I_x = 166.0$ $I_y = 166.0$
moment of resistance cm ³		$W_x = 36.2$ $W_y = 35.2$	$W_x = 43.3$ $W_y = 40.0$	$W_x = 41.4$ $W_y = 41.4$
weight kg/m		G = 5.3	G = 7.6	G = 5.9

	 			
	<p>Profile 80×160, 8E, LP</p>			
	<p>1.11.080160.84LP.60</p>			
	<p>1.11.080160.84LP.61 (2)</p>			
	<p>$I_x = 828.0$ $I_y = 259.0$ $W_x = 104.0$ $W_y = 65.0$ $G = 8.6$</p>			

 	 <p>Application  <i>E-trunking profiles,</i> 59, 324-327</p> 	 	 
<p>Profile 80×120, 10E, SP</p>	<p>Profile 80×160, 8E, SP</p>	<p>Profile 80×160, 12E, SP</p>	<p>Profile 120×120, 12E, SP</p>
<p>1.11.080120.104SP.60</p>	<p>1.11.080160.89SP.60</p>	<p>1.11.080160.124SP.60</p>	<p>1.11.120120.123SP.60</p>
<p>1.11.080120.104SP.61 (2)</p>	<p>1.11.080160.89SP.61 (2)</p>	<p>1.11.080160.124SP.61 (2)</p>	<p>1.11.120120.123SP.61 (2)</p>
<p>$I_x = 449.9$ $I_y = 217.8$ $W_x = 72.6$ $W_y = 54.4$ $G = 8.6$</p>	<p>$I_x = 944.0$ $I_y = 183.0$ $W_x = 118.0$ $W_y = 45.8$ $G = 7.9$</p>	<p>$I_x = 883.0$ $I_y = 269.0$ $W_x = 110.0$ $W_y = 67.3$ $G = 9.4$</p>	<p>$I_x = 624.0$ $I_y = 624.0$ $W_x = 104.0$ $W_y = 104.0$ $G = 10.6$</p>

light	F-Slot			Connection possibilities and calculation formulas for polygons ↗ 1.2E
F-Slot				
core hole Ø12.0 for thread M14				
				
E3-Slot				
core hole Ø12.0 for thread M14				
				
Description	Profile 40, round 30 deg., 2F, LP	Profile 40, round 45 deg., 2E, LP	Profile 40, round 60 deg., 2E, LP	
bar, 6 m	1.11.040R30.20LP.60	1.11.040R45.20LP.60	1.11.040R60.20LP.60	
packing unit (number)	1.11.040R30.20LP.61 (8)	1.11.040R45.20LP.61 (8)	1.11.040R60.20LP.61 (8)	
moment of inertia cm ⁴	I _x = 6.0 I _y = 4.8	I _x = 14.5 I _y = 8.0	I _x = 30.0 I _y = 10.5	
moment of resistance cm ³	W _x = 3.0 W _y = 2.4	W _x = 4.9 W _y = 3.7	W _x = 7.6 W _y = 4.6	
weight kg/m	G = 1.2	G = 1.6	G = 1.9	



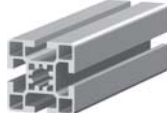


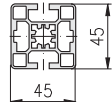
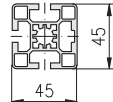
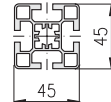
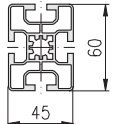
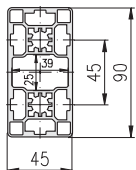
light			Connection possibilities and calculation formulas for polygons ↗ 1.2E	
				
core hole Ø12.0 for thread M14				
Description	Profile 40, round 90 deg., 2E, LP			
bar, 6 m	1.11.040R90.20LP.60			
packing unit (number)	1.11.040R90.20LP.61 (4)			
moment of inertia cm ⁴	I _x = 89.0 I _y = 89.0			
moment of resistance cm ³	W _x = 16.0 W _y = 16.0			
weight kg/m	G = 3.0			

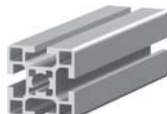


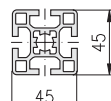
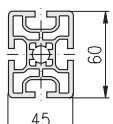
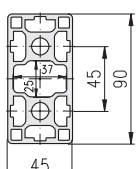
<p style="text-align: center;">light</p> 				
Description	Profile 40×40, 2E, 45 deg., LP	Profile 80×80, 3E, 45 deg., LP	Profile 80×80, 7E, 45 deg., LP	
bar, 6 m	1.11.040040.28LP.60	1.11.080080.38LP.60	1.11.080080.78LP.60	
packing unit (number)	1.11.040040.28LP.61 (8)	1.11.080080.38LP.61 (2)	1.11.080080.78LP.61 (2)	
moment of inertia cm ⁴ moment of resistance cm ³ weight kg/m	$I_x = 7.3$ $I_y = 7.3$ $W_x = 3.9$ $W_y = 3.9$ $G = 1.4$	$I_x = 105.0$ $I_y = 105.0$ $W_x = 26.0$ $W_y = 26.0$ $G = 4.1$	$I_x = 99.3$ $I_y = 99.3$ $W_x = 24.8$ $W_y = 24.8$ $G = 4.0$	



light				
<p>core hole Ø12.0 for thread M14</p>				
Description	Profile 45×45, 2E, soft, LP	Profile 45×45, 0E, LP	Profile 45×45, 1E, LP	Profile 45×45, 2E, corner, LP
bar, 6 m	1.11.045045.21LP.60	1.11.045045.03LP.60	1.11.045045.13LP.60	1.11.045045.22LP.60
packing unit (number)	1.11.045045.21LP.61 (8)	1.11.045045.03LP.61 (8)	1.11.045045.13LP.61 (8)	1.11.045045.22LP.61 (8)
moment of inertia cm ⁴	$I_x = 11.4$ $I_y = 11.4$	$I_x = 15.5$ $I_y = 15.5$	$I_x = 14.7$ $I_y = 15.5$	$I_x = 14.7$ $I_y = 14.7$
moment of resistance cm ³	$W_x = 5.1$ $W_y = 5.1$	$W_x = 6.9$ $W_y = 6.9$	$W_x = 6.5$ $W_y = 6.8$	$W_x = 6.6$ $W_y = 6.6$
weight kg/m	G = 1.6	G = 2.2	G = 2.1	G = 2.0

heavy				
<p>core hole Ø12.0 for thread M14</p>				
<p>bore hole for thread M10</p>				
Description				
bar, 6 m				
packing unit (number)				
moment of inertia cm ⁴				
moment of resistance cm ³				
weight kg/m				

				
				
Profile 45×45, 2E, LP	Profile 45×45, 3E, LP	Profile 45×45, 4E, LP	Profile 45×60, 4E, LP	Profile 45×90, 0E, LP
1.11.045045.23LP.60	1.11.045045.33LP.60	1.11.045045.43LP.60	1.11.045060.44LP.60	1.11.045090.04LP.60
1.11.045045.23LP.61 (8)	1.11.045045.33LP.61 (8)	1.11.045045.43LP.61 (8)	1.11.045060.44LP.61 (6)	1.11.045090.04LP.61 (4)
$I_x = 14.0$ $I_y = 15.5$ $W_x = 6.2$ $W_y = 6.9$ $G = 2.0$	$I_x = 14.0$ $I_y = 14.7$ $W_x = 6.2$ $W_y = 6.5$ $G = 2.1$	$I_x = 13.5$ $I_y = 13.5$ $W_x = 6.0$ $W_y = 6.0$ $G = 1.9$	$I_x = 26.5$ $I_y = 16.0$ $W_x = 9.0$ $W_y = 7.2$ $G = 2.3$	$I_x = 107.5$ $I_y = 30.4$ $W_x = 23.9$ $W_y = 13.5$ $G = 3.6$

				
				
		Profile 45×45, 4E, SP	Profile 45×60, 4E, SP	Profile 45×90, 0E, SP
		1.11.045045.43SP.60	1.11.045060.44SP.60	1.11.045090.04SP.60
		1.11.045045.43SP.61 (8)	1.11.045060.44SP.61 (6)	1.11.045090.04SP.61 (4)
		$I_x = 15.5$ $I_y = 15.5$ $W_x = 6.9$ $W_y = 6.9$ $G = 2.1$	$I_x = 38.0$ $I_y = 23.5$ $W_x = 13.0$ $W_y = 10.4$ $G = 3.0$	$I_x = 134.3$ $I_y = 36.3$ $W_x = 29.8$ $W_y = 16.2$ $G = 4.7$

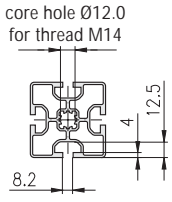
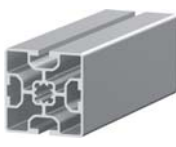

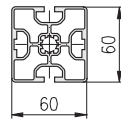
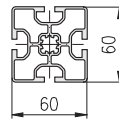
light				
Description	Profile 45×90, 6E, LP	Profile 90×90, 8E, LP		
bar, 6 m	1.11.045090.64LP.60	1.11.090090.83LP.60		
packing unit (number)	1.11.045090.64LP.61 (4)	1.11.090090.83LP.61 (2)		
moment of inertia cm ⁴	$I_x = 98.0$ $I_y = 27.5$	$I_x = 190.5$ $I_y = 190.5$		
moment of resistance cm ³	$W_x = 21.8$ $W_y = 12.2$	$W_x = 42.3$ $W_y = 42.3$		
weight kg/m	$G = 3.3$	$G = 5.6$		

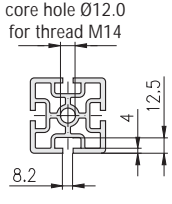
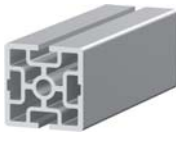

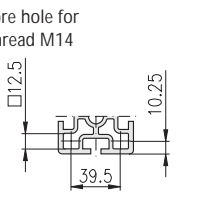
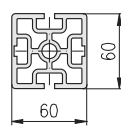
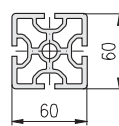
heavy				
Description	Profile 45×90, 6E, SP	Profile 90×90, 8E, SP		
bar, 6 m	1.11.045090.64SP.60	1.11.090090.83SP.60		
packing unit (number)	1.11.045090.64SP.61 (4)	1.11.090090.83SP.61 (2)		
moment of inertia cm ⁴	$I_x = 126.0$ $I_y = 34.0$	$I_x = 282.0$ $I_y = 282.0$		
moment of resistance cm ³	$W_x = 28.0$ $W_y = 15.0$	$W_x = 63.0$ $W_y = 63.0$		
weight kg/m	$G = 4.4$	$G = 9.5$		

light				

1

heavy				
Description	Profile 100×200, 12E, SP			
bar, 6 m	1.11.100200.124SP.60			
packing unit (number)	1.11.100200.124SP.61 (2)			
moment of inertia cm ⁴	I _x = 2,450 I _y = 760			
moment of resistance cm ³	W _x = 250 W _y = 152			
weight kg/m	G = 17.2			

light				
				
				
Description	Profile 60×60, 2E, LP	Profile 60×60, 4E, LP		
bar, 6 m	1.11.060060.23LP.60	1.11.060060.43LP.60		
packing unit (number)	1.11.060060.23LP.61 (6)	1.11.060060.43LP.61 (6)		
moment of inertia cm ⁴	$I_x = 35.1$ $I_y = 37.7$	$I_x = 35.5$ $I_y = 35.5$		
moment of resistance cm ³	$W_x = 11.7$ $W_y = 12.5$	$W_x = 11.7$ $W_y = 11.7$		
weight kg/m	$G = 2.9$	$G = 2.7$		

heavy				
				
bore hole for thread M14				
Description	Profile 60×60, 2E, SP	Profile 60×60, 4E, SP		
bar, 6 m	1.11.060060.23SP.60	1.11.060060.43SP.60		
packing unit (number)	1.11.060060.23SP.61 (6)	1.11.060060.43SP.61 (6)		
moment of inertia cm ⁴	$I_x = 55.9$ $I_y = 58.5$	$I_x = 56.0$ $I_y = 56.0$		
moment of resistance cm ³	$W_x = 18.6$ $W_y = 19.5$	$W_x = 18.7$ $W_y = 18.7$		
weight kg/m	$G = 4.3$	$G = 4.2$		





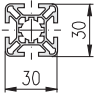
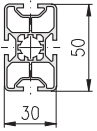
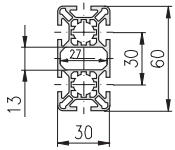
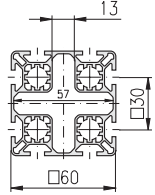
heavy				
Description	Profile 48, round, 1E, SP	Profile 48, round, 2E, corner, SP	Profile 48, round, 2E, SP	
bar, 6 m	1.11.048R00.10SP.60	1.11.048R00.22SP.60	1.11.048R00.20SP.60	
packing unit (number)	1.11.048R00.10SP.61 (6)	1.11.048R00.22SP.61 (6)	1.11.048R00.20SP.61 (6)	
moment of inertia cm ⁴	$I_x = 12.5$ $I_y = 12.9$	$I_x = 12.0$ $I_y = 12.0$	$I_x = 12.5$ $I_y = 13.5$	
moment of resistance cm ³	$W_x = 4.9$ $W_y = 5.4$	$W_x = 5.0$ $W_y = 5.0$	$W_x = 5.1$ $W_y = 5.9$	
weight kg/m	G = 1.8	G = 2.0	G = 2.0	





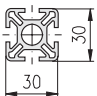
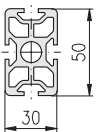
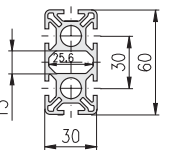
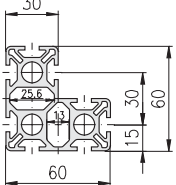
Profiles hexagonal/octagonal, P (plain)

heavy				
Description	Profile 30, hexagonal, 6F, SP	Profile 30, octagonal, 8F, SP	Profile 40, hexagonal, 6E, SP	Profile 40, octagonal, 8E, SP
bar, 6 m	1.11.0306kt.69SP.60	1.11.0308kt.89SP.60	1.11.0406kt.69SP.60	1.11.0408kt.89SP.60
packing unit (number)	1.11.0306kt.69SP.61 (2)	1.11.0308kt.89SP.61 (2)	1.11.0406kt.69SP.61 (2)	1.11.0408kt.89SP.61 (2)
moment of inertia cm ⁴	$I_x = 32.0$ $I_y = 32.0$	$I_x = 84.0$ $I_y = 84.0$	$I_x = 83.0$ $I_y = 83.0$	$I_x = 233.0$ $I_y = 233.0$
moment of resistance cm ³	$W_x = 9.8$ $W_y = 9.8$	$W_x = 21.0$ $W_y = 21.0$	$W_x = 21.0$ $W_y = 21.0$	$W_x = 44.0$ $W_y = 44.0$
weight kg/m	G = 2.8	G = 3.9	G = 4.4	G = 6.5

light				
Description		Profile 30×30, 2F, corner, L	Profile 30×30, 2F, L	Profile 30×30, 3F, L
bar, 6 m		1.11.030030.22L.60	1.11.030030.23L.60	1.11.030030.33L.60
packing unit (number)		1.11.030030.22L.61 (10)	1.11.030030.23L.61 (10)	1.11.030030.33L.61 (10)
moment of inertia cm ⁴		$I_x = 3.2$ $I_y = 3.2$	$I_x = 3.2$ $I_y = 3.2$	$I_x = 3.3$ $I_y = 3.2$
moment of resistance cm ³		$W_x = 2.1$ $W_y = 2.1$	$W_x = 2.2$ $W_y = 2.2$	$W_x = 2.2$ $W_y = 2.2$
weight kg/m		$G = 0.9$	$G = 0.9$	$G = 0.9$




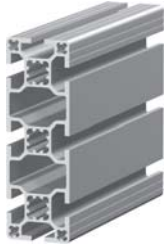
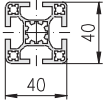
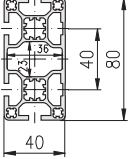
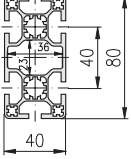
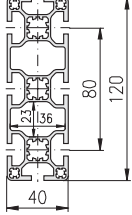
heavy				
Description	Profile 30×30, 2F, soft, S	Profile 30×30, 2F, corner, S	Profile 30×30, 2F, corner, SB	Profile 30×30, 3F, S
bar, 6 m	1.11.030030.21S.60	1.11.030030.22S.60	1.11.030030.22SB.60	1.11.030030.33S.60
packing unit (number)	1.11.030030.21S.61 (10)	1.11.030030.22S.61 (10)	1.11.030030.22SB.61 (10)	1.11.030030.33S.61 (10)
moment of inertia cm ⁴	$I_x = 2.7$ $I_y = 2.7$	$I_x = 3.7$ $I_y = 3.7$	$I_x = 3.7$ $I_y = 3.7$	$I_x = 3.5$ $I_y = 3.7$
moment of resistance cm ³	$W_x = 1.6$ $W_y = 1.6$	$W_x = 2.4$ $W_y = 2.4$	$W_x = 2.4$ $W_y = 2.4$	$W_x = 2.4$ $W_y = 2.4$
weight kg/m	$G = 0.9$	$G = 1.1$	$G = 1.1$	$G = 1.1$



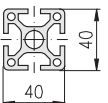
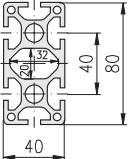
				
				
Profile 30×30, 4F, L	Profile 30×50, 4F, L	Profile 30×60, 6F, L	Profile 60×60, 8F, L	
1.11.030030.43L.60	1.11.030050.44L.60	1.11.030060.64L.60	1.11.060060.83L.60	
1.11.030030.43L.61 (10)	1.11.030050.44L.61 (6)	1.11.030060.64L.61 (6)	1.11.060060.83L.61 (8)	
$I_x = 3.3$ $I_y = 3.3$ $W_x = 2.2$ $W_y = 2.2$ $G = 0.9$	$I_x = 11.0$ $I_y = 4.3$ $W_x = 4.8$ $W_y = 3.3$ $G = 1.3$	$I_x = 21.2$ $I_y = 5.7$ $W_x = 7.0$ $W_y = 3.8$ $G = 1.6$	$I_x = 38.7$ $I_y = 38.7$ $W_x = 12.9$ $W_y = 12.9$ $G = 2.6$	

				
				
Profile 30×30, 4F, S	Profile 30×50, 4F, S	Profile 30×60, 6F, S		Profile 60×60, 8F, angle, S
1.11.030030.43S.60	1.11.030050.44S.60	1.11.030060.65S.60		1.11.060060.87S.60
1.11.030030.43S.61 (10)	1.11.030050.44S.61 (6)	1.11.030060.65S.61 (6)		1.11.060060.87S.61 (4)
$I_x = 3.5$ $I_y = 3.5$ $W_x = 2.4$ $W_y = 2.4$ $G = 1.1$	$I_x = 16.9$ $I_y = 6.6$ $W_x = 6.7$ $W_y = 4.4$ $G = 2.0$	$I_x = 25.0$ $I_y = 7.0$ $W_x = 8.3$ $W_y = 4.7$ $G = 2.1$		$I_x = 35.2$ $I_y = 35.2$ $W_x = 9.9$ $W_y = 9.9$ $G = 2.8$

light				
Description	Profile 40×40, 2E, soft, L	Profile 40×40, 2E, corner, L	Profile 40×40, 2E, L	Profile 40×40, 3E, L
bar, 6 m	1.11.040040.21L.60	1.11.040040.22L.60	1.11.040040.23L.60	1.11.040040.33L.60
packing unit (number)	1.11.040040.21L.61 (8)	1.11.040040.22L.61 (8)	1.11.040040.23L.61 (8)	1.11.040040.33L.61 (8)
moment of inertia cm ⁴	$I_x = 6.4$ $I_y = 6.4$	$I_x = 8.0$ $I_y = 8.0$	$I_x = 8.2$ $I_y = 7.5$	$I_x = 8.3$ $I_y = 8.8$
moment of resistance cm ³	$W_x = 3.8$ $W_y = 3.8$	$W_x = 4.0$ $W_y = 4.0$	$W_x = 4.1$ $W_y = 3.8$	$W_x = 4.1$ $W_y = 4.4$
weight kg/m	$G = 1.2$	$G = 1.3$	$G = 1.3$	$G = 1.4$




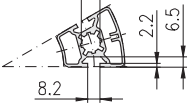
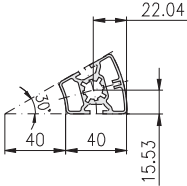
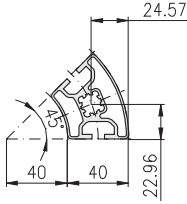
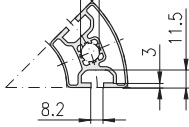
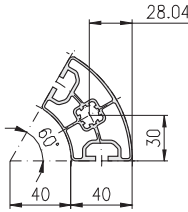
heavy				
Description	Profile 40×40, 2E, corner, S		Profile 40×40, 3E, S	
bar, 6 m	1.11.040040.22S.60		1.11.040040.33S.60	
packing unit (number)	1.11.040040.22S.61 (8)		1.11.040040.33S.61 (8)	
moment of inertia cm ⁴	$I_x = 12.3$ $I_y = 12.3$		$I_x = 12.0$ $I_y = 12.3$	
moment of resistance cm ³	$W_x = 6.1$ $W_y = 6.1$		$W_x = 6.0$ $W_y = 6.0$	
weight kg/m	$G = 2.0$		$G = 2.0$	


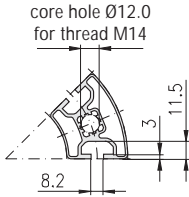
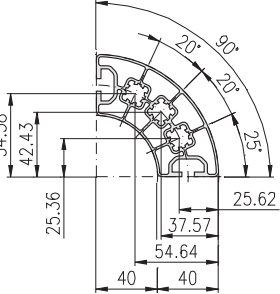
				
				
Profile 40×40, 4E, L	Profile 40×80, 4E, L	Profile 40×80, 6E, L	Profile 40×120, 8E, L	
1.11.040040.43L.60	1.11.040080.44L.60	1.11.040080.64L.60	1.11.040120.84L.60	
1.11.040040.43L.61 (8)	1.11.040080.44L.61 (4)	1.11.040080.64L.61 (4)	1.11.040120.84L.61 (2)	
$I_x = 9.9$ $I_y = 9.9$ $W_x = 4.9$ $W_y = 4.9$ $G = 1.5$	$I_x = 63.2$ $I_y = 17.8$ $W_x = 15.7$ $W_y = 8.9$ $G = 2.6$	$I_x = 62.7$ $I_y = 17.0$ $W_x = 15.6$ $W_y = 8.5$ $G = 2.6$	$I_x = 194.0$ $I_y = 26.0$ $W_x = 33.0$ $W_y = 13.0$ $G = 3.7$	

				
				
Profile 40×40, 4E, S		Profile 40×80, 6E, S		
1.11.040040.43S.60		1.11.040080.65S.60		
1.11.040040.43S.61 (8)		1.11.040080.65S.61 (4)		
$I_x = 12.0$ $I_y = 12.0$ $W_x = 6.0$ $W_y = 6.0$ $G = 2.0$		$I_x = 82.0$ $I_y = 23.4$ $W_x = 20.5$ $W_y = 11.7$ $G = 3.8$		

light				
Description	Profile 80x80, 8E, L	Profile 80x80, 8E, LB	Profile 80x160, 12E, L	
bar, 6 m	1.11.080080.83L.60	1.11.080080.83LB.60	1.11.080160.124L.60	
packing unit (number)	1.11.080080.83L.61 (2)	1.11.080080.83LB.61 (2)	1.11.080160.124L.61 (2)	
moment of inertia cm ⁴	$I_x = 111.0$ $I_y = 111.0$	$I_x = 115.0$ $I_y = 115.0$	$I_x = 801.0$ $I_y = 235.0$	
moment of resistance cm ³	$W_x = 28.0$ $W_y = 28.0$	$W_x = 29.0$ $W_y = 29.0$	$W_x = 100.0$ $W_y = 59.0$	
weight kg/m	$G = 4.1$	$G = 4.5$	$G = 8.8$	

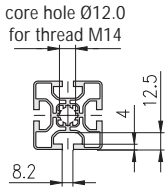

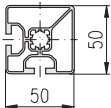

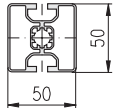

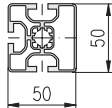
heavy				
Description	Profile 80x80, 8E, S	Profile 80x80, 8E, angle, S	Profile 80x160, 12E, S	
bar, 6 m	1.11.080080.83S.60	1.11.080080.87S.60	1.11.080160.124S.60	
packing unit (number)	1.11.080080.83S.61 (2)	1.11.080080.87S.61 (2)	1.11.080160.124S.61 (2)	
moment of inertia cm ⁴	$I_x = 166.0$ $I_y = 166.0$	$I_x = 120.0$ $I_y = 120.0$	$I_x = 880.0$ $I_y = 268.0$	
moment of resistance cm ³	$W_x = 41.4$ $W_y = 41.4$	$W_x = 23.8$ $W_y = 23.8$	$W_x = 110.0$ $W_y = 67.0$	
weight kg/m	$G = 5.9$	$G = 6.3$	$G = 9.4$	

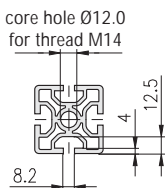
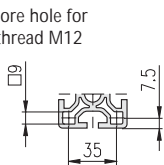

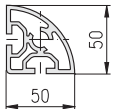

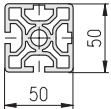

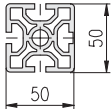
light	F-Slot   			Connection possibilities and calculation formulas for polygons ↗ 1.2E
F-Slot core hole Ø12.0 for thread M14 				
E3-Slot core hole Ø12.0 for thread M14 				
Description	Profile 40, round 30 deg., 2F, L	Profile 40, round 45 deg., 2E, L	Profile 40, round 60 deg., 2E, L	
bar, 6 m	1.11.040R30.20L.60	1.11.040R45.20L.60	1.11.040R60.20L.60	
packing unit (number)	1.11.040R30.20L.61 (8)	1.11.040R45.20L.61 (8)	1.11.040R60.20L.61 (8)	
moment of inertia cm ⁴	I _x = 6.0 I _y = 4.8	I _x = 14.5 I _y = 8.0	I _x = 30.0 I _y = 10.5	
moment of resistance cm ³	W _x = 3.0 W _y = 2.4	W _x = 4.9 W _y = 3.7	W _x = 7.6 W _y = 4.6	
weight kg/m	G = 1.2	G = 1.6	G = 1.9	




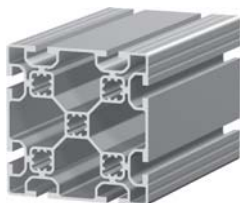
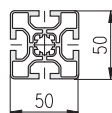
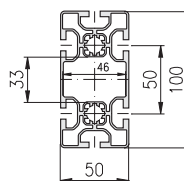
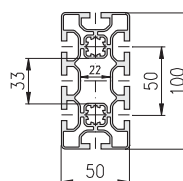
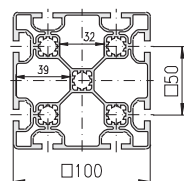
light			Connection possibilities and calculation formulas for polygons ↗ 1.2E
core hole Ø12.0 for thread M14 			
Description	Profile 40, round 90 deg., 2E, L		
bar, 6 m	1.11.040R90.20L.60		
packing unit (number)	1.11.040R90.20L.61 (4)		
moment of inertia cm ⁴	I _x = 89.0 I _y = 89.0		
moment of resistance cm ³	W _x = 16.0 W _y = 16.0		
weight kg/m	G = 3.0		





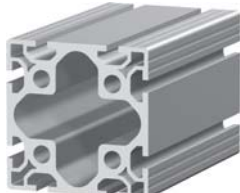
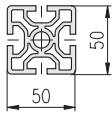
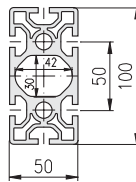
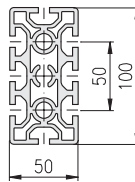
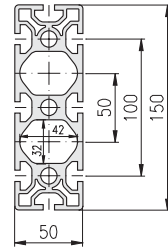
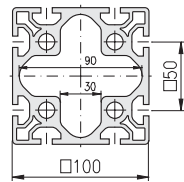
light					
	Description	Profile 45×45, 4E, L	Profile 45×60, 4E, L	Profile 45×90, 6E, L	Profile 90×90, 8E, L
	bar, 6 m	1.11.045045.43L.60	1.11.045060.44L.60	1.11.045090.64L.60	1.11.090090.83L.60
	packing unit (number)	1.11.045045.43L.61 (8)	1.11.045060.44L.61 (6)	1.11.045090.64L.61 (4)	1.11.090090.83L.61 (2)
moment of inertia cm^4	$I_x = 13.5$ $I_y = 13.5$	$I_x = 26.5$ $I_y = 16.0$	$I_x = 98.0$ $I_y = 27.5$	$I_x = 183.0$ $I_y = 183.0$	
moment of resistance cm^3	$W_x = 6.0$ $W_y = 6.0$	$W_x = 9.0$ $W_y = 7.2$	$W_x = 21.8$ $W_y = 12.2$	$W_x = 40.7$ $W_y = 40.7$	
weight kg/m	$G = 1.9$	$G = 2.3$	$G = 3.3$	$G = 5.3$	

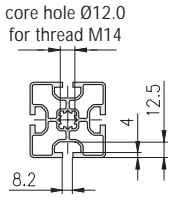

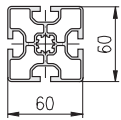

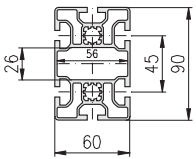
heavy					
	Description	Profile 45×45, 4E, S	Profile 45×60, 4E, S	Profile 45×90, 6E, S	Profile 90×90, 8E, S
	bar, 6 m	1.11.045045.43S.60	1.11.045060.44S.60	1.11.045090.64S.60	1.11.090090.83S.60
	packing unit (number)	1.11.045045.43S.61 (8)	1.11.045060.44S.61 (6)	1.11.045090.64S.61 (4)	1.11.090090.83S.61 (2)
moment of inertia cm^4	$I_x = 16.8$ $I_y = 16.8$	$I_x = 38.8$ $I_y = 23.5$	$I_x = 126.0$ $I_y = 34.0$	$I_x = 282.0$ $I_y = 282.0$	
moment of resistance cm^3	$W_x = 7.4$ $W_y = 7.4$	$W_x = 13.0$ $W_y = 10.4$	$W_x = 28.0$ $W_y = 15.0$	$W_x = 63.0$ $W_y = 63.0$	
weight kg/m	$G = 2.3$	$G = 3.0$	$G = 4.4$	$G = 9.5$	

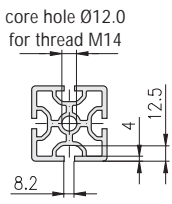
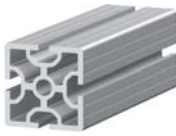
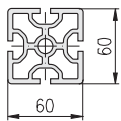

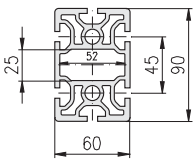
light				
		 	 	 
Description		Profile 50×50, 2E, corner, L	Profile 50×50, 2E, L	Profile 50×50, 3E, L
bar, 6 m		1.11.050050.22L.60	1.11.050050.23L.60	1.11.050050.33L.60
packing unit (number)		1.11.050050.22L.61 (6)	1.11.050050.23L.61 (6)	1.11.050050.33L.61 (6)
moment of inertia cm ⁴		$I_x = 16.5$ $I_y = 16.5$	$I_x = 17.7$ $I_y = 13.6$	$I_x = 18.4$ $I_y = 16.0$
moment of resistance cm ³		$W_x = 6.7$ $W_y = 6.7$	$W_x = 7.0$ $W_y = 5.4$	$W_x = 7.3$ $W_y = 5.8$
weight kg/m		G = 1.7	G = 1.6	G = 1.9

heavy				
 	 	 		 
Description	Profile 50×50, 2E, soft, S	Profile 50×50, 2E, corner, S		Profile 50×50, 3E, S
bar, 6 m	1.11.050050.21S.60	1.11.050050.22S.60		1.11.050050.33S.60
packing unit (number)	1.11.050050.21S.61 (6)	1.11.050050.22S.61 (6)		1.11.050050.33S.61 (6)
moment of inertia cm ⁴	$I_x = 18.8$ $I_y = 18.8$	$I_x = 28.2$ $I_y = 28.2$		$I_x = 27.3$ $I_y = 28.2$
moment of resistance cm ³	$W_x = 7.5$ $W_y = 7.5$	$W_x = 11.1$ $W_y = 11.1$		$W_x = 11.1$ $W_y = 11.1$
weight kg/m	G = 2.3	G = 3.2		G = 3.1

				
				
Profile 50×50, 4E, L	Profile 50×100, 6E, L	Profile 50×100, 8E, L		Profile 100×100, 8E, L
1.11.050050.43L.60	1.11.050100.64L.60	1.11.050100.84L.60		1.11.100100.83L.60
1.11.050050.43L.61 (6)	1.11.050100.64L.61 (3)	1.11.050100.84L.61 (3)		1.11.100100.83L.61 (2)
$I_x = 19.2$ $I_y = 19.2$ $W_x = 7.7$ $W_y = 7.7$ $G = 2.2$	$I_x = 138.0$ $I_y = 37.0$ $W_x = 27.5$ $W_y = 14.5$ $G = 3.5$	$I_x = 137.0$ $I_y = 40.0$ $W_x = 27.5$ $W_y = 16.0$ $G = 4.0$		$I_x = 284.0$ $I_y = 284.0$ $W_x = 50.8$ $W_y = 50.8$ $G = 6.2$

				
				
Profile 50×50, 4E, S	Profile 50×100, 6E, S	Profile 50×100, 8E, S	Profile 50×150, 8E, S	Profile 100×100, 8E, S
1.11.050050.43S.60	1.11.050100.65S.60	1.11.050100.84S.60	1.11.050150.85S.60	1.11.100100.83S.60
1.11.050050.43S.61 (6)	1.11.050100.65S.61 (3)	1.11.050100.84S.61 (3)	1.11.050150.85S.61 (2)	1.11.100100.83S.61 (2)
$I_x = 27.3$ $I_y = 27.3$ $W_x = 11.0$ $W_y = 11.0$ $G = 3.1$	$I_x = 202.0$ $I_y = 57.2$ $W_x = 40.4$ $W_y = 22.8$ $G = 5.9$	$I_x = 200.0$ $I_y = 53.3$ $W_x = 39.9$ $W_y = 21.3$ $G = 6.0$	$I_x = 628.0$ $I_y = 83.0$ $W_x = 83.0$ $W_y = 33.0$ $G = 8.1$	$I_x = 411.0$ $I_y = 411.0$ $W_x = 82.0$ $W_y = 82.0$ $G = 9.7$

light				
	 	 		
Description	Profile 60×60, 4E, L	Profile 60×90, 6E, L		
bar, 6 m	1.11.060060.43L.60	1.11.060090.64L.60		
packing unit (number)	1.11.060060.43L.61 (6)	1.11.060090.64L.61 (3)		
moment of inertia cm ⁴	$I_x = 35.5$ $I_y = 35.5$	$I_x = 124.0$ $I_y = 54.0$		
moment of resistance cm ³	$W_x = 11.7$ $W_y = 11.7$	$W_x = 27.5$ $W_y = 18.0$		
weight kg/m	$G = 2.7$	$G = 4.0$		

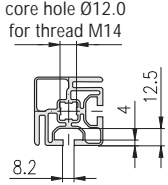

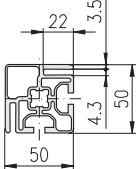

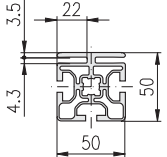
heavy				
	 	 		
Description	Profile 60×60, 4E, S	Profile 60×90, 6E, S		
bar, 6 m	1.11.060060.43S.60	1.11.060090.64S.60		
packing unit (number)	1.11.060060.43S.61 (6)	1.11.060090.64S.61 (3)		
moment of inertia cm ⁴	$I_x = 56.0$ $I_y = 56.0$	$I_x = 193.0$ $I_y = 83.0$		
moment of resistance cm ³	$W_x = 18.7$ $W_y = 18.7$	$W_x = 43.0$ $W_y = 27.5$		
weight kg/m	$G = 4.2$	$G = 6.0$		

light				
<p>core hole Ø12.0 for thread M14</p>				
Description	Panel profile 30×30, 0F, LP	Panel profile 30×30, 2F, corner, LP 4	Panel profile 30×30, 3F, LP 4	Panel profile 30×50, 3F, LP 4
bar, 6 m	1.14.030030.03LP0.60	1.14.030030.22LP4.60	1.14.030030.33LP4.60	1.14.030050.34LP4.60
packing unit (number)	1.14.030030.03LP0.61(10)	1.14.030030.22LP4.61(10)	1.14.030030.33LP4.61(10)	1.14.030050.34LP4.61 (6)
moment of inertia cm ⁴	$I_x = 3.8$ $I_y = 3.8$	$I_x = 3.3$ $I_y = 3.3$	$I_x = 3.3$ $I_y = 2.8$	$I_x = 5.5$ $I_y = 11.8$
moment of resistance cm ³	$W_x = 2.4$ $W_y = 2.4$	$W_x = 2.2$ $W_y = 2.2$	$W_x = 2.2$ $W_y = 1.8$	$W_x = 3.6$ $W_y = 4.8$
weight kg/m	G = 1.1	G = 1.0	G = 0.9	G = 1.5

light			
<p>core hole Ø12.0 for thread M14</p>			
Description	Panel profile 30×30, 2F, LP 5	Panel profile 30×50, 2F, LP 5	Panel profile 30×30, 2F, LP 6
bar, 6 m	1.14.030030.23LP5.60	1.14.030050.24LP5.60	1.14.030030.23LP6.60
packing unit (number)	1.14.030030.23LP5.61(10)	1.14.030050.24LP5.61(10)	1.14.030030.23LP6.61 (6)
moment of inertia cm ⁴	$I_x = 4.3$ $I_y = 3.3$	$I_x = 7.0$ $I_y = 14.7$	$I_x = 3.6$ $I_y = 2.8$
moment of resistance cm ³	$W_x = 2.8$ $W_y = 2.2$	$W_x = 4.7$ $W_y = 5.9$	$W_x = 2.4$ $W_y = 1.9$
weight kg/m	G = 1.2	G = 1.9	G = 1.0

<p>light</p>	 	 	 	 	
	Description	Panel profile 40×40, 2E, corner, LP 4	Panel profile 40×40, 3E, LP 4	Panel profile 40×60, 3E, LP 4	Panel profile 60×80, 5E, LP 4
	bar, 6 m	1.14.040040.22LP4.60	1.14.040040.33LP4.60	1.14.040060.34LP4.60	1.14.060080.54LP4.60
	packing unit (number)	1.14.040040.22LP4.61 (8)	1.14.040040.33LP4.61 (8)	1.14.040060.34LP4.61 (8)	1.14.060080.54LP4.61 (4)
	moment of inertia cm ⁴ moment of resistance cm ³ weight kg/m	$I_x = 10.3$ $I_y = 10.3$ $W_x = 5.2$ $W_y = 5.2$ G = 1.8	$I_x = 10.2$ $I_y = 8.7$ $W_x = 5.1$ $W_y = 4.3$ G = 1.65	$I_x = 14.8$ $I_y = 26.3$ $W_x = 7.4$ $W_y = 8.8$ G = 2.4	$I_x = 100.4$ $I_y = 50.4$ $W_x = 25.1$ $W_y = 16.8$ G = 3.8

<p>light</p>	Profile for door stop				
	Description	Panel profile 60×80, 6E, LP 4	Profile 20×30, 1F, LP	Assembly drawing	Assembly drawing
	bar, 6 m	1.14.060080.64LP4.60	1.11.020030.14LP.60		
	packing unit (number)	1.14.060080.64LP4.61 (4)	1.11.020030.14LP.61 (10)		
moment of inertia cm ⁴ moment of resistance cm ³ weight kg/m	$I_x = 85.8$ $I_y = 50.8$ $W_x = 21.5$ $W_y = 16.9$ G = 3.7	$I_x = 2.2$ $I_y = 1.4$ $W_x = 1.5$ $W_y = 1.4$ G = 0.7	$I_x = 113.0$ $I_y = 64.0$ $W_x = 28.5$ $W_y = 21.3$ G = 4.5	$I_x = 89.2$ $I_y = 53.3$ $W_x = 22.3$ $W_y = 17.7$ G = 4.4	


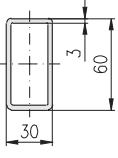

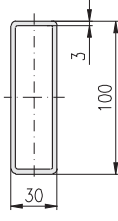
<div style="border: 1px solid gray; border-radius: 5px; padding: 2px; display: inline-block; margin-bottom: 10px;">light</div>  <p>core hole Ø12.0 for thread M14</p>	 	 		
Description	Panel profile 50×50, 2E, corner, LP 4	Panel profile 50×50, 3E, LP 4		
bar, 6 m	1.14.050050.22LP4.60	1.14.050050.39LP4.60		
packing unit (number)	1.14.050050.22LP4.61 (6)	1.14.050050.39LP4.61 (6)		
moment of inertia cm ⁴ moment of resistance cm ³ weight kg/m	I _x = 25.2 I _y = 25.2 W _x = 10.6 W _y = 7.3 G = 2.4	I _x = 23.5 I _y = 20.9 W _x = 9.9 W _y = 8.7 G = 2.6		



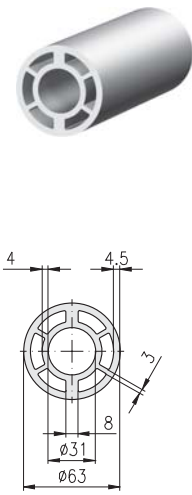
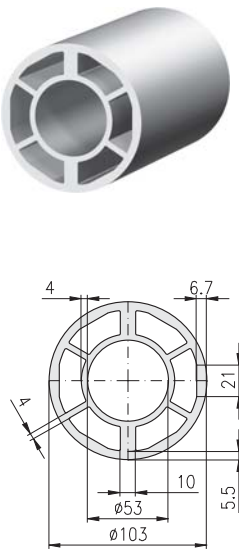
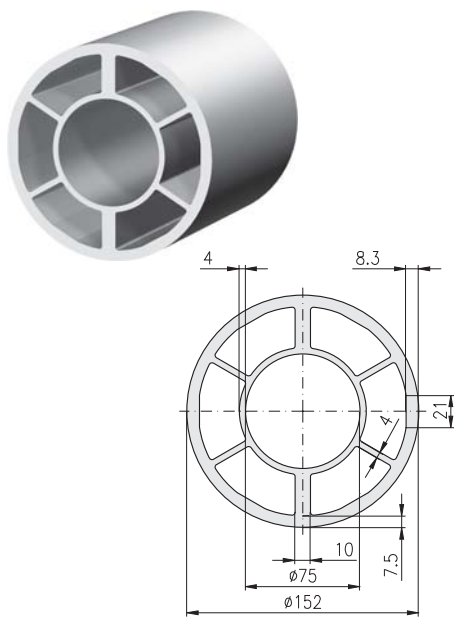
light				
<p>core hole Ø12.0 for thread M14</p>	 	 		
Description	Wire net profile 30×30, 2F, LP 7.5	Wire net profile 30×45, 2F, LP 7.5		
bar, 6 m	1.15.030030.23LP7.60	1.15.030045.24LP7.60		
packing unit (number)	1.15.030030.23LP7.61 (10)	1.15.030045.24LP7.61 (8)		
moment of inertia cm ⁴	$I_x = 2.6$ $I_y = 3.2$	$I_x = 4.3$ $I_y = 7.4$		
moment of resistance cm ³	$W_x = 1.7$ $W_y = 2.1$	$W_x = 2.9$ $W_y = 3.3$		
weight kg/m	G = 0.86	G = 1.15		

Wire net profiles 40, F / E3-slot, P (plain)

light				
<p>core hole Ø12.0 for thread M14</p>	 	 		
Description	Wire net profile 40×40, 2E, LP 7.5	Wire net profile 40×60, 2E, 1F, LP 7.5		
bar, 6 m	1.15.040040.23LP7.60	1.15.040060.34LP7.60		
packing unit (number)	1.15.040040.23LP7.61 (8)	1.15.040060.34LP7.61 (8)		
moment of inertia cm ⁴	$I_x = 7.5$ $I_y = 8.2$	$I_x = 12.2$ $I_y = 22.5$		
moment of resistance cm ³	$W_x = 3.8$ $W_y = 4.1$	$W_x = 6.1$ $W_y = 7.5$		
weight kg/m	G = 1.35	G = 1.97		

light	 	 		
Description	Tube profile 30×60, LP	Tube profile 30×100, LP		
bar, 6 m	1.17.030060.04LP.60	1.17.030100.04LP.60		
packing unit (number)	1.17.030060.04LP.61 (6)	1.17.030100.04LP.61 (4)		
moment of inertia cm ⁴	$I_x = 24.0$ $I_y = 7.5$	$I_x = 90.0$ $I_y = 12.0$		
moment of resistance cm ³	$W_x = 8.0$ $W_y = 5.0$	$W_x = 18.0$ $W_y = 8.0$		
weight kg/m	$G = 1.47$	$G = 2.20$		

1

<div style="border: 1px solid gray; border-radius: 5px; padding: 2px; width: fit-content; margin-bottom: 10px;">heavy</div> <p>Technical data material: Al Mg Si 0.5 F25 tensile strength: 250 N/mm² surface: bare</p>			
Description	Roller profile 63/31, SBP	Roller profile 103/53, SBP	Roller profile 152/75, SBP
bar, 6 m	5.11.063R00.00SBP.60	5.11.103R00.00SBP.60	5.11.152R00.00SBP.60
packing unit (number)	5.11.063R00.00SBP.61 (4)	5.11.103R00.00SBP.61 (2)	5.11.152R00.00SBP.61 (1)
moment of inertia cm ⁴ moment of resistance cm ³ weight kg/m	I _x = 53.0 I _y = 49.0 W _x = 16.7 W _y = 15.5 G = 4.2	I _x = 315.0 I _y = 286.0 W _x = 61.0 W _y = 55.0 G = 8.7	I _x = 1,245.0 I _y = 1,145.0 W _x = 163.0 W _y = 150.0 G = 15.4

<p>heavy</p>			
<p>Description</p>	<p>Telescopic profile 80×80, 8E, SBP</p>		
<p>bar, 6 m</p>	<p>9.11.080080.83SBP.60</p>		
<p>moment of inertia cm^4 moment of resistance cm^3 weight kg/m</p>	<p>$I_x = 150.0$ $I_y = 150.0$ $W_x = 37.5$ $W_y = 37.5$ $G = 5.3$</p>		


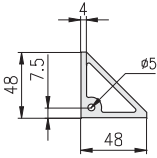

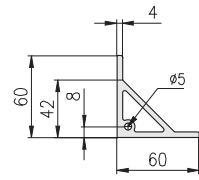

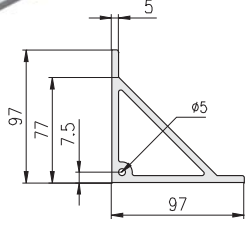
<p>heavy</p>		<p>heavy</p>	
<p>Description</p>	<p>Telescopic profile 120×120, 12E, SP</p>	<p>Description</p>	<p>Telescopic profile 160×160, 16E, SP</p>
<p>bar, 6 m</p>	<p>9.11.120120.123SP.60</p>	<p>bar, 6 m</p>	<p>9.11.160160.163SP.60</p>
<p>moment of inertia cm^4 moment of resistance cm^3 weight kg/m</p>	<p>$I_x = 554.0$ $I_y = 554.0$ $W_x = 93.0$ $W_y = 93.0$ $G = 7.8$</p> <p>$I_x = 1,424.0$ $I_y = 1,424.0$ $W_x = 178.0$ $W_y = 178.0$ $G = 10.7$</p>		


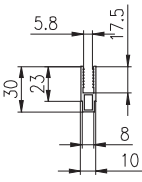

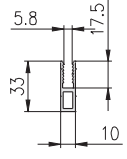
Profile pre-cut lids					
Technical data material: Al Mg Si 0.5 F25 tensile strength: 250 N/mm ² surface: natural anodised					
Description		Profile pre-cut lid 30	Profile pre-cut lid 40	Profile pre-cut lid 50	Profile pre-cut lid 120
bar, 6 m		1.19.110130.60	1.19.110140.60	1.19.110150.60	1.19.1101120.60
cut to length		1.19.110130-A00A00/...	1.19.110140-A00A00/...	1.19.110150-F00F00/...	1.19.1101120-L00L00/...
weight	kg/m	G = 0.49	G = 0.74	G = 0.85	G = 1.80


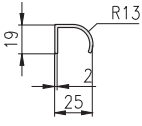

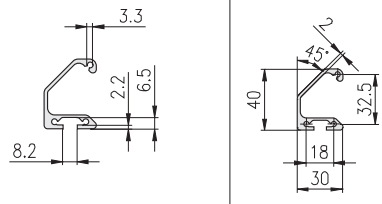
Application
 E-trunking profiles, 59, 324-327

Hollow profiles					
<p>As bar item the bore will have machining allowances</p> Technical data material: Al Mg Si 0.5 F25 tensile strength: 250 N/mm ² surface: bare					
Description		Hollow profile Ø20	Hollow profile Ø30	Hollow profile Ø40	
bar, 6 m		1.19.12120.60	1.19.12130.60	1.19.12140.60	
cut to length		1.19.12120-A00A00/...	1.19.12130-F00F00/...	1.19.12140-L00L00/...	
weight	kg/m	G = 2.3	G = 4.1	G = 5.5	

Base profiles					
<p>As bar item the bore will have machining allowances</p> Technical data material: Al Mg Si 0.5 F25 tensile strength: 250 N/mm ² surface: bare					
Description		Base profile Ø20	Base profile Ø30	Base profile Ø40	
bar, 6 m		1.19.13120.60	1.19.13130.60	1.19.13140.60	
cut to length		1.19.13120-F00F00/...	1.19.13130-L00L00/...	1.19.13140-L00L00/...	
weight	kg/m	G = 3.9	G = 6.2	G = 8.2	

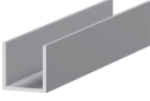
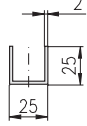

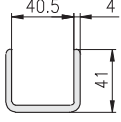
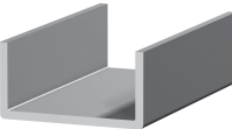
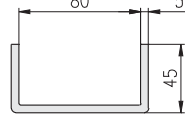
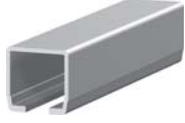
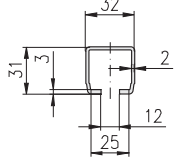
Angle profiles				
Technical data material: Al Mg Si 0.5 F25 tensile strength: 250 N/mm ² surface: bare	 	 	 	
	Description	Angle profile 48×48	Angle profile 60×60	Angle profile 100×100
	bar, 6 m	1.19.141048.60	1.19.141060.60	1.19.141100.60
	cut to length	1.19.141048-F00F00/...	1.19.141060-L00L00/...	1.19.141100-L00L00/...
weight	kg/m G = 1.9	G = 2.1	G = 5.5	


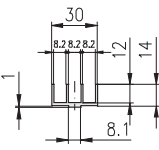

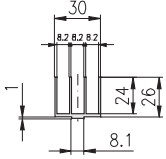

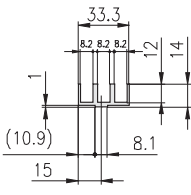

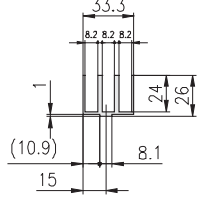
Wire net mounting profiles				
Technical data material: Al Mg Si 0.5 F25 tensile strength: 250 N/mm ² surface: natural anodised	 	 		
	Description	Wire net mounting profile	Wire net mounting profile 33×10	
	bar, 6 m	1.19.14230.60	1.19.1423310.60	
	cut to length	1.19.14230-A00A00/...	1.19.1423310-A00A00/...	
weight	kg/m G = 0.3	G = 0.4		


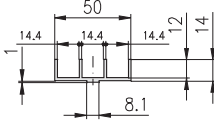

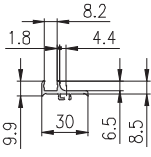
Grab handle profiles			F-slot
Technical data material: Al Mg Si 0.5 F25 tensile strength: 250 N/mm ² surface: natural anodised	 		 
	Description	Grab handle profile	Grab handle profile
	bar, 6 m	1.19.14319.60	1.19.14330.60
	cut to length	1.19.14319-A00A00/...	1.19.14330-A00A00/...
weight	kg/m G = 0.3		G = 0.73

(/... = Length in mm)



U-profiles, C-track Technical data material: Al Mg Si 0.5 F25 tensile strength: 250 N/mm ² surface: natural anodised	 	 	 	 	
	Description	U-profile 25×25×2	U-profile 40	U-profile 45×90	C-track
	bar, 6 m	1.19.14425.60	1.19.14440.60	1.19.1444590.60	1.19.14532.60
	cut to length	1.19.14425-A00A00/...	1.19.14440-A00A00/...	1.19.1444590-F00F00/...	1.19.14532-A00A00/...
	weight kg/m	G = 0.4	G = 1.35	G = 2.4	G = 0.6

Sliding profiles Technical data material: Al Mg Si 0.5 F25 tensile strength: 250 N/mm ² surface: natural anodised	 	 	 	 	
	Description	Sliding profile 30×14	Sliding profile 30×26	Sliding profile 33×14	Sliding profile 33×26
	bar, 6 m	1.19.15130.60	1.19.15131.60	1.19.15133.60	1.19.15134.60
	cut to length	1.19.15130-A00A00/...	1.19.15131-A00A00/...	1.19.15133-A00A00/...	1.19.15134-A00A00/...
	weight kg/m	G = 0.4	G = 0.6	G = 0.5	G = 0.8


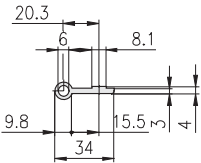

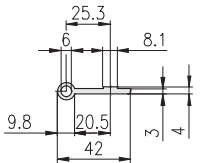

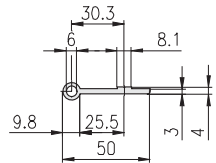

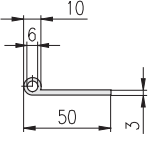
Sliding profile, Panel framing profile Technical data material: Al Mg Si 0.5 F25 tensile strength: 250 N/mm ² surface: natural anodised	 		 		
	Description	Sliding profile 50×14	Panel framing profile 30×8.5		
	bar, 6 m	1.19.15150.60		1.19.15530.60	
	cut to length	1.19.15150-A00A00/...		1.19.15530-A00A00/...	
	weight kg/m	G = 0.6		G = 0.27	


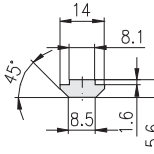

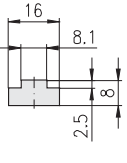

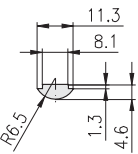

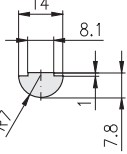
Tubes					
Technical data material: Al Mg Si 0.5 F22 tensile strength: 220 N/mm ² surface: natural anodised					
	Description	Tube Ø20×2	Tube Ø30×3	Tube Ø40×4	
	bar, 6 m	1.19.16120.60	1.19.16130.60	1.19.16140.60	
cut to length	1.19.16120-A00A00/...	1.19.16130-A00A00/...	1.19.16140-A00A00/...		
weight	kg/m	G = 0.3	G = 0.7	G = 1.3	


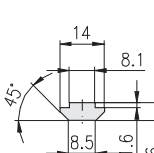

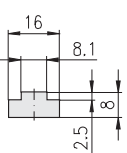
Hinge profiles 1.5 mm					
Technical data material: Al Mg Si 0.5 F25 tensile strength: 250 N/mm ² surface: natural anodised					
	Description	Hinge profile Type A, PG 20 - 1.5	Hinge profile Type A, PG 30 - 1.5	Hinge profile Type A, PG 40 - 1.5	Hinge profile Type A, PG 50 - 1.5
	bar, 6 m	1.19.1702002.60	1.19.1703002.60	1.19.1704002.60	1.19.1705002.60
cut to length	1.19.1702002-A00A00/...	1.19.1703002-A00A00/...	1.19.1704002-A00A00/...	1.19.1705002-A00A00/...	
weight	kg/m	G = 0.5	G = 0.3	G = 0.3	G = 0.4

Hinge profiles 2.0 mm				Hinge profile 5.0 mm surface: bare	
Technical data material: Al Mg Si 0.5 F25 tensile strength: 250 N/mm ² surface: natural anodised					
	Description	Hinge profile Type B, 40 mm - 2.0	Hinge profile Type B, 50 mm - 2.0	Hinge profile Type C, 30 mm - 2.0	Hinge profile Ø12
	bar, 6 m	1.19.1714002.60	1.19.1715002.60	1.19.1723002.60	1.19.174160.60
cut to length	1.19.1714002-A00A00/...	1.19.1715002-A00A00/...	1.19.1723002-A00A00/...	1.19.174160-A00A00/...	
weight	kg/m	G = 0.3	G = 0.4	G = 0.4	G = 1.25




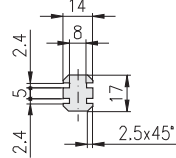
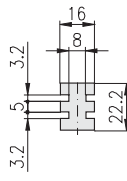
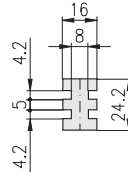
(/... = Length in mm)




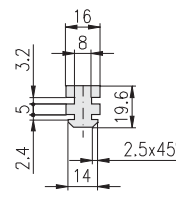
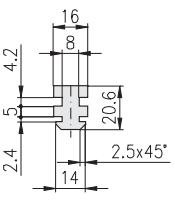
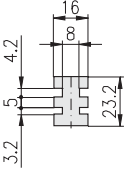
Hinge profiles 3.0 mm Technical data material: Al Mg Si 0.5 F25 tensile strength: 250 N/mm ² surface: natural anodised	 	 	 	 
	Description	Hinge profile Type A, PG 30 - 3.0	Hinge profile Type A, PG 40 - 3.0	Hinge profile Type A, PG 50 - 3.0
bar, 6 m	1.19.1703003.60	1.19.1704003.60	1.19.1705003.60	1.19.1715003.60
cut to length	1.19.1703003-A00A00/...	1.19.1704003-A00A00/...	1.19.1705003-A00A00/...	1.19.1715003-A00A00/...
weight	kg/m G = 0.4	G = 0.5	G = 0.6	G = 0.5




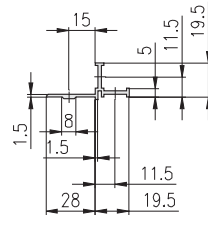
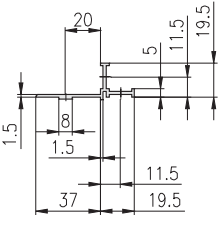
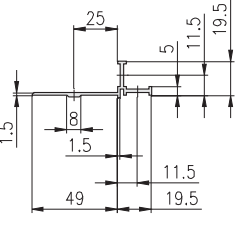
T-Slot profiles Steel Technical data material: steel C 45 K surface: bare	 	 	 	 
	Description	T-Slot profile, steel, F	T-Slot profile, steel E	T-Slot profile, steel, for subsequent insertion F
bar, 3 m	1.19.1832F.30	1.19.1832E.30	1.19.1834F.30	1.19.1834E.30
cut to length	1.19.1832F-A00A00/...	1.19.1832E-A00A00/...	1.19.1834F-A00A00/...	1.19.1834E-A00A00/...
weight	kg/m G = 0.48	G = 0.96	G = 0.24	G = 0.63

T-Slot profiles PA Technical data material: PA6G + oil (murlubric or similar) surface: black	 	 		
	Description	T-Slot profile, PA, F	T-Slot profile, PA, E	
bar, 2 m	1.19.1842F.20	1.19.1842E.20		
cut to length	1.19.1842F-A00A00/...	1.19.1842E-A00A00/...		
weight	kg/m G = 0.07	G = 0.14		



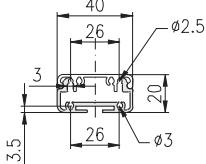

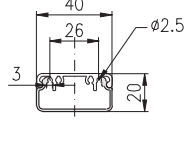

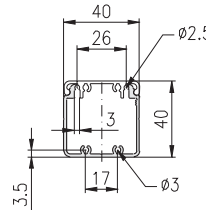

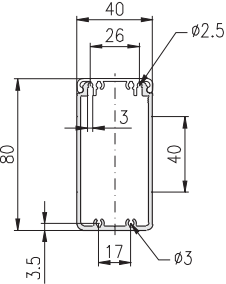
1

Slide-slot profiles PA					
Technical data material: PA6G + oil (murlubric or similar) surface: black					
Description	Slide-slot profile, PA, F	Slide-slot profile, PA, E3	Slide-slot profile, PA, E4		
bar, 2 m	1.19.185F2F2.20	1.19.185E3E3.20	1.19.185E4E4.20		
cut to length	1.19.185F2F2-A00A00/...	1.19.185E3E3-A00A00/...	1.19.185E4E4-A00A00/...		
weight	kg/m G = 0.21	G = 0.35	G = 0.46		



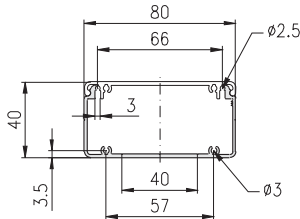

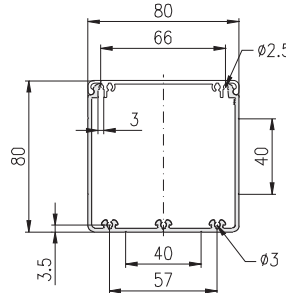
Slide-slot profiles PA					
Technical data material: PA6G + oil (murlubric or similar) surface: black					
Description	Slide-slot profile, PA, F/E3	Slide-slot profile, PA, F/E4	Slide-slot profile, PA, E3/E4		
bar, 2 m	1.19.185F2E3.20	1.19.185F2E4.20	1.19.185E3E4.20		
cut to length	1.19.185F2E3-A00A00/...	1.19.185F2E4-A00A00/...	1.19.185E3E4-A00A00/...		
weight	kg/m G = 0.27	G = 0.32	G = 0.37		

19" profiles					
Technical data material: Al Mg Si 0.5 F25 tensile strength: 250 N/mm ² surface: natural anodised					
Description	19" profile, PG 30	19" profile, PG 40	19" profile, PG 50		
bar, 6 m	1.19.19030.60	1.19.19040.60	1.19.19050.60		
cut to length	1.19.19030-A00A00/...	1.19.19040-A00A00/...	1.19.19050-A00A00/...		
weight	kg/m G = 0.4	G = 0.45	G = 0.5		

(/... = Length in mm)



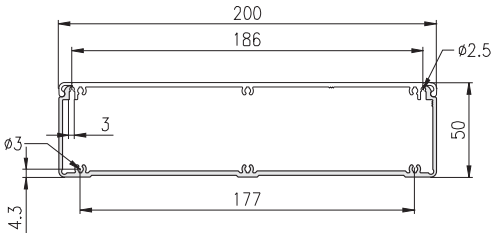
Cover profile 40 	Description		E-trunking profile, lid 40			
	bar, 6 m		1.19.2040D.60			
	packing unit	(number)	1.19.2040D.61	(8)		
	cut to length		1.19.2040D-A00A00/...			
	weight	kg/m	G = 0.35			
Base profiles 40 Technical data material: Al Mg Si 0.5 F25 tensile strength: 250 N/mm ² surface: natural anodised	 	 	 	 		
	Description	E-trunking profile 40x20, for clips	E-trunking profile 40x20	E-trunking profile 40x40	E-trunking profile 40x80	
	bar, 6 m	1.19.214020G.60	1.19.204020G.60	1.19.204040G.60	1.19.204080G.60	
	packing unit	(number)	1.19.214020G.61 (16)	1.19.204020G.61 (16)	1.19.204040G.61 (8)	1.19.204080G.61 (4)
	cut to length	1.19.214020G-A00A00/...		1.19.204040G-A00A00/...		
weight	kg/m	G = 0.50	G = 0.30	G = 0.61	G = 0.85	

End plates ↗ 326

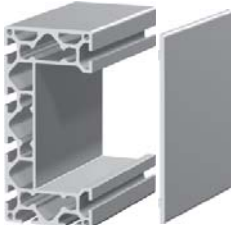


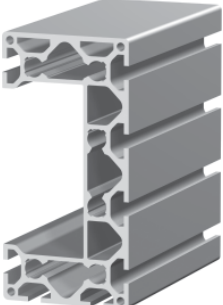
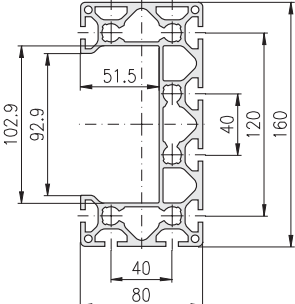

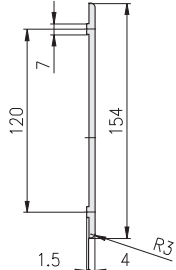
Cover profile 80 	Description		E-trunking profile, lid 80			
	bar, 6 m		1.19.2080D.60			
	packing unit	(number)	1.19.2080D.61	(4)		
	cut to length		1.19.2080D-F00F00/...			
	weight	kg/m	G = 0.59			
Base profiles 80 Technical data material: Al Mg Si 0.5 F25 tensile strength: 250 N/mm ² surface: natural anodised	 	 				
	Description	E-trunking profile 80x40	E-trunking profile 80x80			
	bar, 6 m	1.19.208040G.60	1.19.208080G.60			
	packing unit	(number)	1.19.208040G.61 (4)	1.19.208080G.61 (2)		
	cut to length	1.19.208040G-F00F00/...		1.19.208080G-F00F00/...		
weight	kg/m	G = 1.20	G = 1.55			


End plates ↗ 326

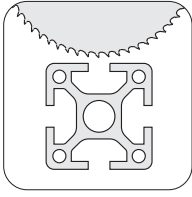
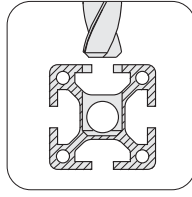
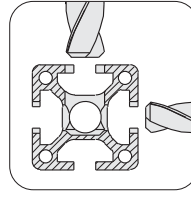
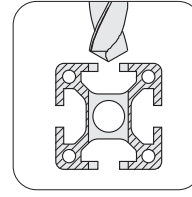
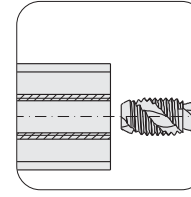
(/... = Length in mm)

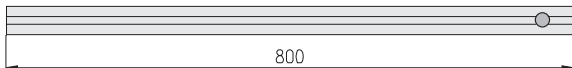
Cover profile 200		Description	E-trunking profile, lid 200
		bar, 6 m	1.19.2200D.60
Base profile 200	 	packing unit (number)	1.19.2200D.61 (2)
		cut to length	1.19.2200D-L00L00/...
		weight kg/m	G = 1.50
		Technical data	
		Description	E-trunking profile 200x50
		bar, 6 m	1.19.220050G.60
		packing unit (number)	1.19.220050G.61 (2)
		cut to length	1.19.220050G-L00L00/...
		weight kg/m	G = 2.00

 End plates  326

E-trunking profile 160		
	Base profile: Profile 80x160, 8E, SP  25, 324-327	Cover profile: Profile pre-cut lid 120  52, 324-327
Technical data	 	 
	material: Al Mg Si 0.5 F25 tensile strength: 250 N/mm ² surface: natural anodised	
Description	Profile 80x160, 8E, SP	Profile pre-cut lid 120
bar, 6 m	1.11.080160.89SP.60	1.19.1101120.60
packing unit (number)	1.11.080160.89SP.61 (2)	1.19.1101120-L00L00/... (cut to length)
moment of inertia cm ⁴	I _x = 944.0 I _y = 183.0	
moment of resistance cm ³	W _x = 118.0 W _y = 45.8	
weight kg/m	G = 7.9	G = 1.80

 (... = Length in mm); machining data  Profile machining 1.1A

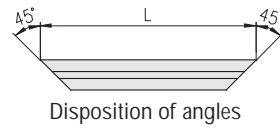
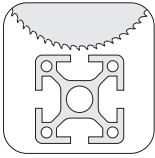
Summary				
 <p>Saw cut</p> <p>↔ 61</p>	 <p>Cross bushing bores for connectors</p> <p>↔ 62</p>	 <p>Bores for parallel-connector</p> <p>↔ 62</p>	 <p>Cross bore</p> <p>↔ 62</p>	 <p>Thread</p> <p>↔ 62</p>
<p>Comments</p> <ul style="list-style-type: none"> • Profile machinings are defined by the article-number of the profile. • For more complex machinings, additional order descriptions are needed. • Non-standard machinings will be completed as per drawings 				

Order description		
<p>Profile</p>	<p>machining</p> <p>left right</p>	<p>profile side</p>
<p>Order-No.: 1.□□.□□□□□□.□□□□ - □□□□□□ / □□□□</p>	<p>□ □ □ □ □ / □ □ □ □ □</p> <p>□ □ □ □ □ / □ □ □ □ □</p> <p>□ □ □ □ □ / □ □ □ □ □</p> <p>□ □ □ □ □ / □ □ □ □ □</p>	<p>saw cut ↔ 61</p> <p>cross bushing bores, bores for parallel-connector, cross bore, thread ↔ 62</p> <p>direction ↔ 62</p> <p>length in mm ↔ 62</p>
Order example		
		
<p>Description</p> <p>Profile 40×40, 4E-slots, S Length: 800 mm right side: 1 connector bore</p>	<p>Article-No.</p> <p>1.11.040040.43S-A00AA4/800</p>	<p>Article-Description</p> <p>Profile 40×40, 4E-slots, S □□□□ Specifications for special profile machining</p>

coding examples ↔ 1.1B

Saw cut

Saw cut tolerance: ± 0.1 mm



Cut is right view

- For angle cuts specify the absolute length
- Angle cuts without specification = 45°

Specification for special angle:

Special angle, left: °

Special angle, right: °

Price group 1

- A 0°
- B - 45° to the vertical
- C + 45° to the vertical
- D - 45° to the horizontal
- E + 45° to the horizontal

16 16x40 1F 1E	20 20x20 2H soft 2H c. 2H 3H 4H	20 20x10 20x30 1F LP 1F LP 2F LP	20 20x40 40x40 4H 6H 8H
30 30x30 2F soft 0F 1F 2F c. 2F c. B 2F 3F 4F	30 30x50 30x60 30x30 30x60 4F 0F 6F 0F 2F c. 2F	30 30x30 30x45 30x50 3F 2F 3F	30 30x60 2F
40 40x40 2E soft 0E 1E 2E c. 2E 3E 4E	40 40 r.30° 40 r.45° 40x40 40x40 40x40 2F 2E 2E 45° 2E c. 3E 2E	40 40x40 40x40 2E c. 3E 2E	S 48 round 1E 2E c. 2E
45 45x45 2E soft 0E 1E 2E c. 2E 3E 4E	50 50x50 2E soft 2E c. 2E 3E 4E	50 50x50 2E c. 3E	

Price group 2

- F 0°
- G - 45° to the vertical
- H + 45° to the vertical
- J - 45° to the horizontal
- K + 45° to the horizontal

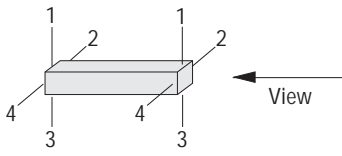
16 16x80 2E	30 30x100 5E 2F 8F 9F 10F	60 60x60 0F 8F 8F angle	30 30x100 2E 3E
40 40x60 40x80 40x120 0E 0E 3E c. 4E 4E B 5E 6E 8E	40 40 r.60° 2E	40 40x60 40x60 2E 3E	60 60x80 5E 6E
45 45x60 45x90 4E 0E 6E	50 50x100 6E 8E	60 60x60 2E 4E	S 30 hexag. 6F

Price group 3

- L 0°
- M - 45° to the vertical
- N + 45° to the vertical
- O - 45° to the horizontal
- P + 45° to the horizontal

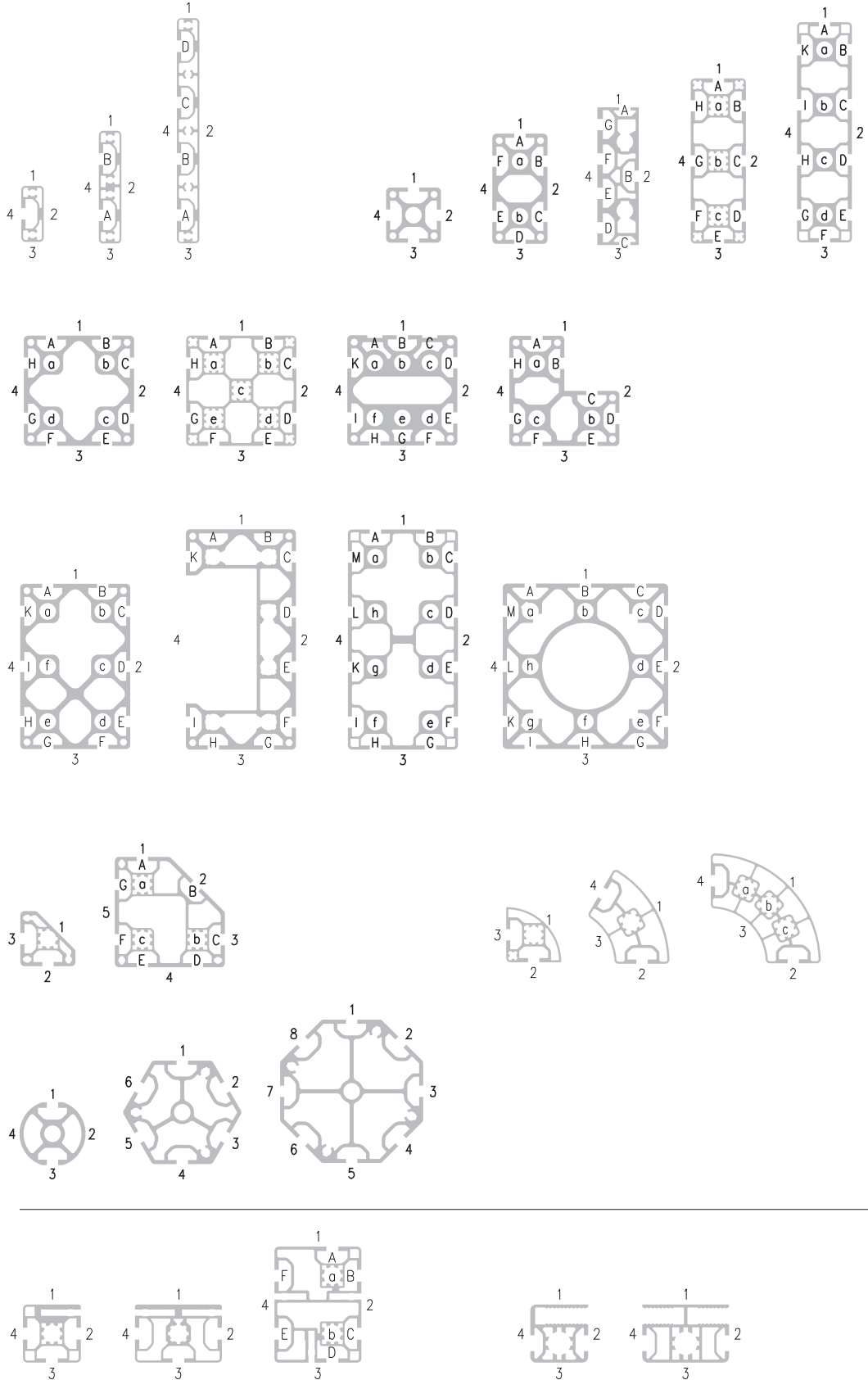
16 16x160 4E	30 30x150 8F 8E	40 40x160 80x120 80x160 40 r.90° 6E 10E 10E 8E 8E 12E 2E
40 80x80 120x120 0E 4E c. 6E 7E 8E 8E B 8E angle 3E 45° 7E 45° 12E	45 90x90 8E	50 50x150 100x100 100x200 8E 8E 12E
60 60x90 6E	S 30 octag. 40 hexag. 40 octag. 8F 6E 8E	




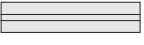


















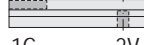

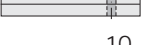

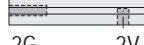





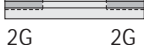
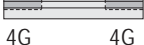
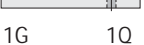



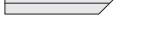


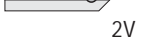

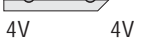

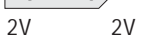

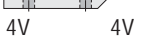












Direction and Position





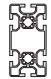















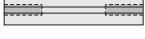



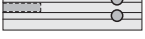
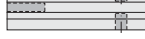
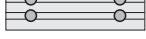





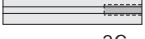
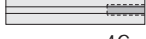










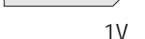
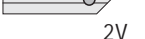



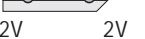

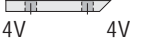

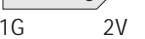

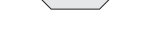








Description

Direction: 1 - 4
 Position of slot: A - M
 Position of thread: a - h



Coding examples for price group 1			
			
 -A00A00	 -A00A00		 -A00A00
 -A00AA4 1V	 -A00AB4 2V	 -A00AB1 2V	 -A00AB4 2V
 -AA4AA4 1V 1V	 -AB4AB4 2V 2V	 -AB1AB1 2V 2V	 -AB4AB4 2V 2V
 -A00AL0 1G	 -A00AL0 1G		 -A00AD2 4V
 -AL0AL0 1G 1G	 -AL0AL0 1G 1G		 -AB4AD2 2V 4V
 -AL0AA4 1G 1V	 -AL0AB4 1G 2V	 -AL0AB1 1G 2V	 -AD2AD2 4V 4V
 -A00AQ1 1Q	 -AM0AB4 2G 2V	 -AM0AB1 2G 2V	 -AP0AD2 4G 4V
 -AA4AQ1 1V 1Q	 -A00AM0 2G		 -A00AP0 4G
 -AQ1AQ1 1Q 1Q	 -AM0AM0 2G 2G		 -AP0AP0 4G 4G
 -AL0AQ1 1G 1Q	 -AL0AM0 1G 2G		 -A00C00
 -A00C00	 -A00C00	top view	 -A00CD2 4V
 -A00CA4 1V	 -A00CB4 2V	 -A00EB1 2V	 -AD2CD2 4V 4V
 -AA4CA4 1V 1V	 -AB4CB4 2V 2V	 -AB1EB1 2V 2V	 -AD1CD1 4V 4V
 -AL0CA4 1G 1V	 -AL0CB4 1G 2V	 -AL0EB1 1G 2V	 -C00C00
 -C00C00	 -C00C00	 -E00E00	 -CD2CD2 4V 4V
 -CA4CA4 1V 1V	 -CB4CB4 2V 2V	 -EB1EB1 2V 2V	 -CD1CD1 4V 4V


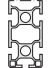
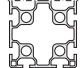
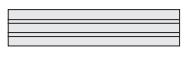






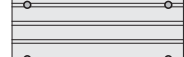
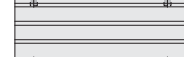
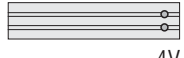
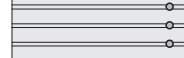
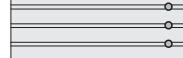

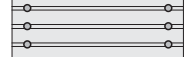
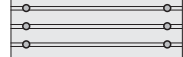




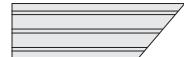
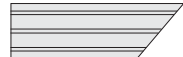

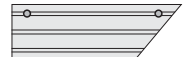




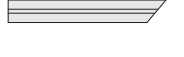






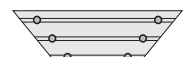



V = connector bore, G = thread, Q = cross bore

Coding examples for price group 2			
			
 -F00F00	 -F00F00		 -F00F00
 -F00FA4 1V	 -F00FB4 2V	 -F00FB1 2V	 -F00FB4 2V
 -FA4FA4 1V 1V	 -FB4FB4 2V 2V	 -FB1FB1 2V 2V	 -FB4FB4 2V 2V
 -F00FLO 1G	 -F00FLO 1G		 -F00FD2 4V
 -FLOFLO 1G 1G	 -FLOFLO 1G 1G		 -FB4FD2 2V 4V
 -FLOFA4 1G 1V	 -FLOFB4 1G 2V	 -FLOFB1 1G 2V	 -FD2FD2 4V 4V
 -F00FQ1 1Q	 -FM0FB4 2G 2V	 -FM0FB1 2G 2V	 -FP0FD2 4G 4V
 -FA4FQ1 1V 1Q	 -F00FM0 2G		 -F00FP0 4G
 -FQ1FQ1 1Q 1Q	 -FM0FM0 2G 2G		 -FP0FP0 4G 4G
 -FLOFQ1 1G 1Q	 -FLOFM0 1G 2G		 -F00H00
 -F00H00	 -F00H00	<p>top view</p>  -F00K00	 -F00HD2 4V
 -F00HA4 1V	 -F00HB4 2V	 -F00KB1 2V	 -FD2HD2 4V 4V
 -FA4HA4 1V 1V	 -FB4HB4 2V 2V	 -FB1KB1 2V 2V	 -FD1HD1 4V 4V
 -FLOHA4 1G 1V	 -FLOHB4 1G 2V	 -FLOKB1 1G 2V	 -H00H00
 -H00H00	 -H00H00	 -K00K00	 -HD2HD2 4V 4V
 -HA4HA4 1V 1V	 -HB4HB4 2V 2V	 -KB1KB1 2V 2V	 -HD1HD1 4V 4V

V = connector bore, G = thread, Q = cross bore

1

Coding examples for price group 3

		
 -L00L00	 -L00L00	 -L00L00
 -L00LB4 2V	 -L00LB4 2V	 -L00LB1 2V
 -LB4LB4 2V 2V	 -LB4LB4 2V 2V	 -LB1LB1 2V 2V
 -L00LD2 4V	 -L00LD4 4V	 -L00LH2 8V
 -LB4LD2 2V 4V	 -LD4LD4 4V 4V	 -LH2LH2 8V 8V
 -LD2LD2 4V 4V	 -L00LM0 2G	 -L00LU0 8G
 -LP0LD2 4G 4V	 -L00N00	 -L00N00
 -L00LP0 4G	 -LB4NB4 2V 2V	 -L00PB1 2V
 -LP0LP0 4G 4G	 -LD4ND4 4V 4V	 -LB1PB1 2V 2V
 -L00N00	 -N00N00	 -P00P00
 -LL0ND2 1G 4V	 -NB4NB4 2V 2V	 -PB1PB1 2V 2V
 -LD2ND2 4V 4V	 -ND4ND4 4V 4V	 -L00ND2 4V 4V
 -LD1ND1 4V 4V		 -ND1ND1 4V 4V

top view

Order examples for special design

Article-No..	Description
① 1.11.□□□□□□.□□□□ -L00LD2	Profile □□□×□□□.□□□□□□ Connector position, right: CFIM (additional description)
② 1.11.□□□□□□.□□□□ -LD2LD2	Profile □□□×□□□.□□□□□□ Connector position, left: CFIM (additional description) Connector position, right: CFIM
③ 1.11.□□□□□□.□□□□ -L00ND2	Profile □□□×□□□.□□□□□□ Connector position, right: CFIM (additional description)
④ 1.11.□□□□□□.□□□□ -ND2ND2	Profile □□□×□□□.□□□□□□ Connector position, left: CFIM (additional description) Connector position, right: CFIM

V = connector bore, G = thread, Q = cross bore

Extruded profile
as per DIN EN 12020
 (fine)
 (Replacement for DIN 17615)

Aluminium alloy Al Mg Si 0.5 F25
 Material Nr. 3.3206.72 (low temp. annealed)

Functional length: 6,000 mm
Delivery length: 6,060 mm + 10 mm

Mechanical data
 (Values given in the direction of the press flow)

Tensile strength R_m : min. 250 N/mm²
 Elongation 0.2: min. 200 N/mm²
 Pressure tension σ_{zul} : 95 N/mm²
 Stress point A_5 : min. 10 %
 Stress point A_{10} : min. 8 %
 E-Module: approx. 70,000 N/mm²
 Brinell hardness: approx. 75 HB 2.5/187.5
 Co-efficient of elongation: $23.8 \times 10^{-6}/K$

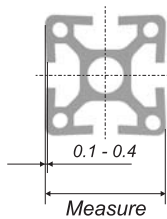
Surface as per DIN 17611:
 E6/EV1 - dull finish and anodised colours
 Coat thickness approx. 10 μ m
 Coat hardness 250-350 HV
 Special colours upon request.
 The surface area - subject to technical
 procedure - can show optical changes.

Profile tolerance
 (Excerpt from DIN EN 12020-2)

Nominal dimensions:
 The dimension deviation depends on the precision with which the tooling is manufactured, the tooling wear and the variation during the extrusion process. For one manufacturing setup the variation within one profile is 0.01 mm.

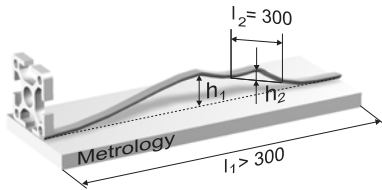
Profile tolerance		
Dim. range in mm		Tolerance in mm
from	to	
-	10	± 0.15
10	15	± 0.20
15	30	± 0.25
30	45	± 0.30
45	60	± 0.40
60	90	± 0.45
90	120	± 0.60
120	150	± 0.80
150	180	± 1.00
180	240	± 1.20
240	300	± 1.50

Flatness of profile surfaces



In order to optimize the connection stability, all profile surfaces are designed and manufactured with concave surfaces. This assures that the assembled profiles contact on the outer edges only (line of contact). When tightening the connectors the slot flanks will be drawn to the mounting profile within the elastic range and will keep the connectors under tension.

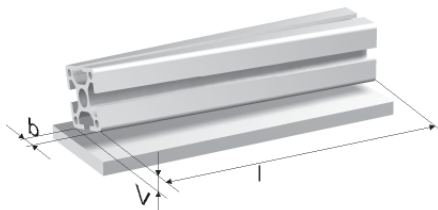
Straightness tolerance
 of the edge in longitudinal direction



At a certain length l_1 the given tolerance h_1 is not to be exceeded.
 For each incremental length of $l_2 = 300$ mm the deviation h_2 is not to exceed 0.3 mm.

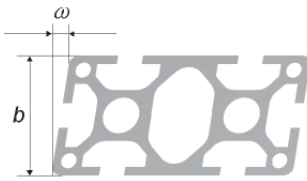
Straightness tolerance		
Length l_1 in m		Tolerance h_1 in mm
from	to	
-	1	0.7
1	2	1.3
2	3	1.8
3	4	2.2
4	5	2.6
5	6	3.0

Flatness tolerance
 (Twist tolerance)



Width b in mm		Flatness tolerance					
Dim. range		at length l in m					
from	to	to 1	1 to 2	2 to 3	3 to 4	4 to 5	5 to 6
-	25	1.0	1.5	1.5	2.0	2.0	2.0
25	50	1.0	1.2	1.5	1.8	2.0	2.0
50	75	1.0	1.2	1.2	1.5	2.0	2.0
75	100	1.0	1.2	1.5	2.0	2.2	2.5
100	125	1.0	1.5	1.8	2.2	2.5	3.0
125	150	1.2	1.5	1.8	2.2	2.5	3.0
150	200	1.5	1.8	2.2	2.6	3.0	3.5
200	300	1.8	2.5	3.0	3.5	4.0	4.5

Parallelism tolerance
(Angular tolerance)



The parallelism tolerance ω (angular tolerance) refers to unequal sides to the shorter side of the angle, i.e. it is measured from the longer side.

Parallelism tolerance		
Width b in mm from	to	max. size tolerance ω in mm
-	30	0.3
30	50	0.4
50	80	0.5
80	100	0.6
100	120	0.7
120	140	0.8
140	160	0.9
160	180	1.0
180	200	1.2
200	240	1.5

Bending strength

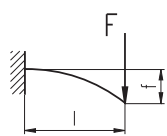
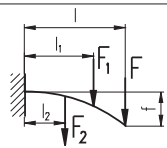
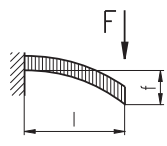
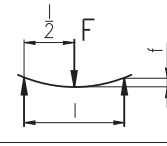
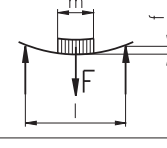
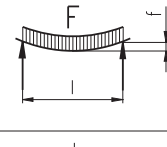
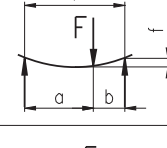
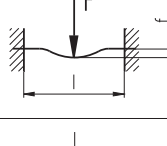
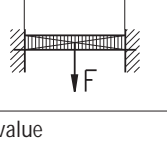
For the computation of deflection use formulas on this page.

For the computation of deflection by the profiles own weight, apply "Type of load" 3, 6 or 9.

- f = Deflection in mm
- F = Type of load in N
- l = Profile length in mm
- J ¹⁾ = Moment of inertia in mm⁴
- E = Module of elasticity in N/mm²
- E_{AL} = 70,000 N/mm²

1) Comments

- Catalogue data in cm⁴
(Note factor of conversion 10⁴ !)
- The moments of inertia of a certain profile are listed on the respective profile page (e.g. 1.09, 1.10, 1.11) and in the tables 1.1D

Type of load		
1		$f = \frac{F \cdot l^3}{3E \cdot J}$
2		$f = \frac{F \cdot l^3 + F_1 \cdot l_1^2 \cdot l + F_2 \cdot l_2^2 \cdot l}{3E \cdot J}$
3		$f = \frac{F \cdot l^3}{8E \cdot J}$
4		$f = \frac{F \cdot l^3}{48E \cdot J}$
5		$f = \frac{F \cdot l^3}{\left(48 + \frac{29m}{l}\right) \cdot E \cdot J}$
6		$f = \frac{5F \cdot l^3}{384E \cdot J}$
7		$f = \frac{F \cdot a^2 \cdot b^2}{3E \cdot J \cdot l}$
8		$f = \frac{F \cdot l^3}{192E \cdot J}$ ²⁾
9		$f = \frac{F \cdot l^3}{384E \cdot J}$

²⁾ approximate value

Approximate determination of deflection

To determine the approximation of deflection, use the diagram on this page.

Profile length l in mm

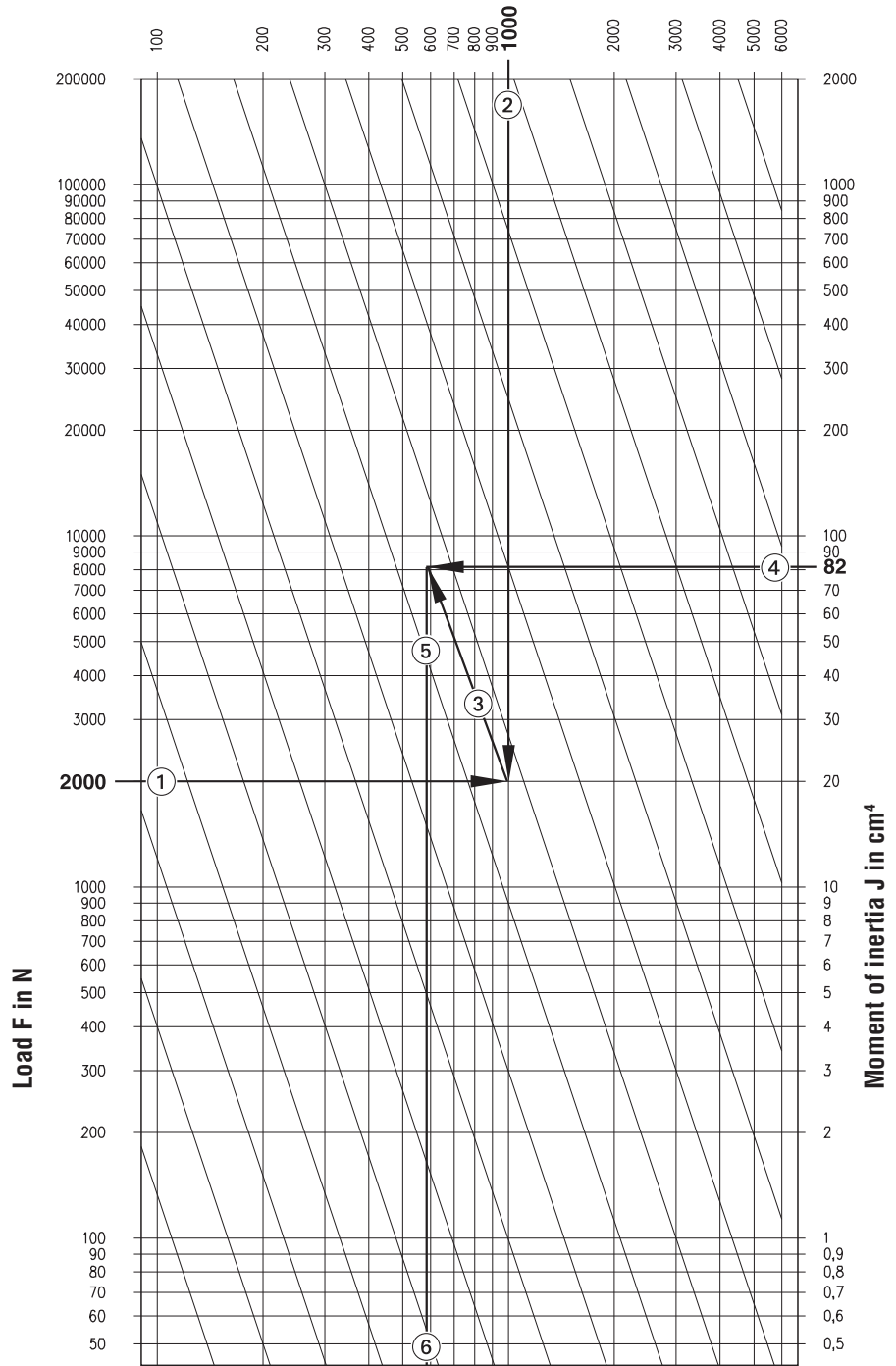
Determination of deflection

1. Type of load F in N
2. Profile length l in mm
3. Move cross point on the diagonal
4. Moment of inertia of the selected profile J in cm^4
5. Cross point with the diagonal to be vertically extended to the bottom
6. Deflection f for the specific "Type of load" in mm

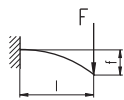
Example

- ① $F = 2,000$ N
- ② $l = 1,000$ mm
- ③ Move cross point on the diagonal
- ④ $J = 82.0$ cm^4 for profile 40x80, 6E
- ⑤ Cross point with the diagonal to be vertically extended to the bottom
- ⑥ Deflection for the specific "Type of load" in mm:

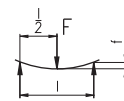
Type of load 1: $f = 9.5$ mm
 Type of load 4: $f = 0.6$ mm
 Type of load 8: $f = 0.15$ mm



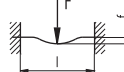
Type of load 1



Type of load 4



Type of load 8



Deflection f in mm

Design	PG slot										
16 F	16x40										
E	16x40	16x80	16x160								
20 H					20x20				20x20	20x20	
F				20x10							20x30
30 F					30x30	30x30	30x30	30x30	30x30	30x30	30x30
E4											30x50
40 E3					40x40	40x40	40x40		40x40	40x40	40x60
45 E4					45x45	45x45	45x45		45x45	45x45	45x60
50 E4					50x50				50x50	50x50	
60 E4									60x60	60x60	60x90

Profile	$I_x^{1)}$	$I_y^{1)}$	$W_x^{2)}$	$W_y^{2)}$	$G^{3)}$	\rightarrow
16x40, 1F, LP	4.4	0.8	2.2	0.8	0.87	12
16x40, 1F, SP	5.3	1.0	2.7	1.0	1.0	12
16x40, 1E, LP	4.3	0.8	2.2	0.8	0.75	12
16x40, 1E, SP	7.2	1.1	3.6	1.1	1.14	12
16x80, 2E, LP	30.7	1.6	7.7	1.6	1.49	12
16x80, 2E, SP	48.3	2.2	12.0	2.2	2.11	12
16x160, 4E, LP	221.0	3.2	27.5	3.2	2.6	12
20x10, 1F, LP	0.1	0.6	0.2	0.5	0.35	15
20x20, 2H, soft, SP	0.6	0.6	0.6	0.6	0.52	13
30x30, 2F, soft, SP	2.7	2.7	1.6	1.6	0.9	16
40x40, 2E, soft, S	2.7	2.7	1.6	1.6	0.9	34
40x40, 2E, soft, LP	6.4	6.4	3.8	3.8	1.2	20
40x40, 2E, soft, L	6.4	6.4	3.8	3.8	1.2	36
45x45, 2E, soft, LP	11.4	11.4	5.1	5.1	1.6	28
50x50, 2E, soft, S	18.8	18.8	7.5	7.5	2.3	42
30x30, 0F, SP	4.4	4.4	2.3	2.3	1.3	16
40x40, 0E, SP	12.0	12.0	6.0	6.0	1.8	20
45x45, 0E, LP	15.5	15.5	6.9	6.9	2.2	28
30x30, 1F, LP	3.1	3.1	2.1	2.1	0.9	16
40x40, 1F, SP	4.3	4.0	2.9	2.6	1.2	16
40x40, 1E, LP	8.5	8.1	4.1	4.0	1.3	20
45x45, 1E, LP	14.7	15.5	6.5	6.8	2.1	28
30x30, 2F, cor., S	3.7	3.7	2.4	2.4	1.1	34
20x20, 2H, cor., SP	1.0	1.0	0.9	0.9	0.68	13
30x30, 2F, cor., LP	3.2	3.2	2.1	2.1	0.9	16
30x30, 2F, cor., SBP	3.7	3.7	2.4	2.4	1.1	16
30x30, 2F, cor., L	3.2	3.2	2.1	2.1	0.9	34
30x30, 2F, cor., SB	3.7	3.7	2.4	2.4	1.1	34
40x40, 2E, cor., LP	8.0	8.0	4.0	4.0	1.3	20
40x40, 2E, cor., SP	12.0	12.0	6.0	6.0	2.0	20
40x40, 2E, cor., L	8.0	8.0	4.0	4.0	1.3	36
40x40, 2E, cor., S	12.3	12.3	6.1	6.1	2.0	36
45x45, 2E, cor., LP	14.7	14.7	6.6	6.6	2.0	28
50x50, 2E, cor., L	16.5	16.5	6.7	6.7	1.7	42
50x50, 2E, cor., S	28.2	28.2	11.1	11.1	3.2	42
20x20, 2H, LP	1.0	0.8	1.0	0.8	0.58	13
30x30, 2F, LP	3.2	3.2	2.1	2.1	0.9	17
30x30, 2F, SP	3.6	3.9	2.4	2.6	1.1	17
30x30, 2F, L	3.2	3.2	2.2	2.2	0.9	34
40x40, 2E, LP	8.2	7.5	4.1	3.8	1.3	21
40x40, 2E, L	8.2	7.5	4.1	3.8	1.3	36
45x45, 2E, LP	14.0	15.5	6.2	6.9	2.0	29
50x50, 2E, L	17.7	13.6	7.0	5.4	1.6	42

Profile	$I_x^{1)}$	$I_y^{1)}$	$W_x^{2)}$	$W_y^{2)}$	$G^{3)}$	\rightarrow
60x60, 2E, LP	35.1	37.7	11.7	12.5	2.9	32
60x60, 2E, SP	55.9	58.5	18.6	19.5	4.3	32
20x20, 3H, SP	0.9	0.9	0.9	0.9	0.65	13
30x30, 3F, LP	3.3	3.2	2.2	2.2	0.9	17
30x30, 3F, SP	3.5	3.7	2.4	2.4	1.1	17
30x30, 3F, L	3.3	3.2	2.2	2.2	0.9	34
30x30, 3F, S	3.5	3.7	2.4	2.4	1.1	34
40x40, 3E, LP	9.4	10.0	4.7	5.0	1.5	21
40x40, 3E, L	8.3	8.8	4.1	4.4	1.4	36
40x40, 3E, S	12.0	12.3	6.0	6.0	2.0	36
45x45, 3E, LP	14.0	14.7	6.2	6.5	2.1	29
50x50, 3E, L	18.4	16.0	7.3	5.8	1.9	42
50x50, 3E, S	27.3	28.2	11.1	11.1	3.1	42
20x20, 4H, LP	0.8	0.8	0.8	0.8	0.53	14
20x20, 4H, SP	0.9	0.9	0.9	0.9	0.62	14
30x30, 4F, LP	3.3	3.3	2.2	2.2	0.9	17
30x30, 4F, SP	3.5	3.5	2.4	2.4	1.1	17
30x30, 4F, L	3.3	3.3	2.2	2.2	0.9	35
30x30, 4F, S	3.5	3.5	2.4	2.4	1.1	35
40x40, 4E, LP	9.9	9.9	4.9	4.9	1.5	21
40x40, 4E, SP	12.0	12.0	6.0	6.0	2.0	21
40x40, 4E, L	9.9	9.9	4.9	4.9	1.5	37
40x40, 4E, S	12.0	12.0	6.0	6.0	2.0	37
45x45, 4E, LP	13.5	13.5	6.0	6.0	1.9	29
45x45, 4E, SP	15.5	15.5	6.9	6.9	2.1	29
45x45, 4E, L	13.5	13.5	6.0	6.0	1.9	40
45x45, 4E, S	16.8	16.8	7.4	7.4	2.3	40
50x50, 4E, L	19.2	19.2	7.7	7.7	2.2	43
50x50, 4E, S	27.3	27.3	11.0	11.0	3.1	43
60x60, 4E, LP	35.5	35.5	11.7	11.7	2.7	32
60x60, 4E, SP	56.0	56.0	18.7	18.7	4.2	32
60x60, 4E, L	35.5	35.5	11.7	11.7	2.7	44
60x60, 4E, S	56.0	56.0	18.7	18.7	4.2	44
45x60, 4E, LP	26.5	16.0	9.0	7.2	2.3	29
45x60, 4E, SP	38.0	23.5	13.0	10.4	3.0	29
45x60, 4E, L	26.5	16.0	9.0	7.2	2.3	40
45x60, 4E, S	38.8	23.5	13.0	10.4	3.0	40
40x60, 0E, LP	27.7	13.1	9.3	6.5	2.1	21
20x30, 1F, LP	2.2	1.4	1.5	1.4	0.7	15
20x30, 2F, LP	2.2	1.5	1.5	1.5	0.74	15
20x30, 2F, SP	2.6	1.9	1.7	1.7	1.0	15
60x90, 6E, L	124.0	54.0	27.5	18.0	4.0	44
60x90, 6E, S	193.0	83.0	43.0	27.5	6.0	44
30x50, 4F, L	11.0	4.3	4.8	3.3	1.3	35
30x50, 4F, S	16.9	6.6	6.7	4.4	2.0	35









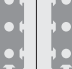



¹⁾ I_x, I_y = moment of inertia in cm^4 ²⁾ W_x, W_y = moment of resistance in cm^3 ³⁾ G = weight in kg/m







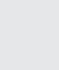
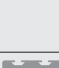



Design																		
16 F																		
E																		
20 H			20x40					20x40										
F																		
30 F	30x60							30x60				30x100	30x100	30x100			30x150	
E4										30x100								30x150
40 E3	40x80	40x80		40x80	40x80	40x80	40x80		40x120					40x160	40x160			
45 E4	45x90							45x90										
50 E4								50x100	50x100	50x150								
60 E4																		


Profile	$I_x^{1)}$	$I_y^{1)}$	$W_x^{2)}$	$W_y^{2)}$	$G^{3)}$	ξ
30x60, 0F, SP	29.0	7.8	9.6	5.2	2.2	17
40x80, 0E, LP	66.8	18.4	16.7	9.2	2.7	21
45x90, 0E, LP	107.5	30.4	23.9	13.5	3.6	29
0E, SP	134.3	36.3	29.8	16.2	4.7	29
40x80, 3E, cor., LP	65.2	17.9	16.3	8.9	2.6	22
20x40, 4H, SP	7.0	2.0	3.5	2.0	1.3	14
40x80, 4E, LP	64.0	17.9	16.0	8.9	2.6	22
4E, L	63.2	17.8	15.7	8.9	2.6	37
40x80, 4E, LBP	74.5	18.3	18.6	9.2	2.8	22
40x80, 5E, LP	72.2	18.1	18.0	9.0	2.8	22
20x40, 6H, LP	5.3	1.4	2.6	1.4	0.9	14
6H, SP	6.4	1.7	3.2	1.7	1.3	14
30x60, 6F, LP	21.2	5.7	7.0	3.8	1.6	17
6F, SP	25.0	7.0	8.3	4.7	2.1	17
6F, L	21.2	5.7	7.0	3.8	1.6	35
6F, S	32.0	8.0	10.9	5.4	2.1	35
40x80, 6E, LP	62.7	17.7	15.6	8.8	2.5	23
6E, SP	82.0	23.4	20.5	11.7	3.8	23
6E, XP	90.0	27.0	22.5	13.5	4.4	23
6E, L	62.7	17.0	15.6	8.5	2.6	37
6E, S	82.0	23.4	20.5	11.7	3.8	37
45x90, 6E, LP	98.0	27.5	21.8	12.2	3.3	30
6E, SP	126.0	34.0	28.0	15.0	4.4	30
6E, L	98.0	27.5	21.8	12.2	3.3	40
6E, S	126.0	34.0	28.0	15.0	4.4	40
50x100, 6E, L	138.0	37.0	27.5	14.5	3.5	43
6E, S	202.0	57.2	40.4	22.8	5.9	43
50x100, 8E, L	137.0	40.0	27.5	16.0	4.0	43
50x100, 8E, S	200.0	53.3	39.9	21.3	6.0	43
40x120, 8E, L	194.0	26.0	33.0	13.0	3.7	37
50x150, 8E, S	628.0	83.0	83.0	33.0	8.1	43
30x100, 5E, 2F, SP	108.9	12.4	21.7	8.3	3.5	18

Profile	$I_x^{1)}$	$I_y^{1)}$	$W_x^{2)}$	$W_y^{2)}$	$G^{3)}$	ξ
30x100, 8F, SP	115.0	11.6	22.9	7.7	3.4	18
30x100, 9F, SP	130.6	11.9	25.9	7.9	3.6	18
30x100, 10F, SP	127.0	11.9	25.4	7.9	3.6	19
40x160, 6E, LP	450.4	36.3	56.3	18.1	5.0	23
40x160, 10E, LP	433.5	33.1	54.2	16.5	4.7	23
30x150, 8F, SP	340.0	16.0	45.0	11.0	4.1	19
30x150, 8E, SP	481.0	25.1	64.1	16.7	7.9	19

¹⁾ I_x, I_y = moment of inertia in cm^4 ²⁾ W_x, W_y = moment of resistance in cm^3 ³⁾ G = weight in kg/m

Design	PG slot															
16	F															
	E															
20	H					40x40										
	F															
30	F	60x60				60x60		60x60								
	E4															
40	E3	80x80	80x80	80x80	80x80	80x80	80x80	80x80	80x120	80x160	80x160	80x160	120x120			
45	E4					90x90	90x90									
50	E4					100x100	100x100					100x200				
60	E4															

	Profile	$I_x^{1)}$	$I_y^{1)}$	$W_x^{2)}$	$W_y^{2)}$	$G^{3)}$	β
	60x60, 0F, SP	58.2	58.2	15.5	15.5	4.0	19
	80x80, 0E, LP	135.0	135.0	33.5	33.5	4.7	24
	80x80, 4E, cor., LP	128.0	128.0	32.0	32.0	4.5	24
	80x80, 6E, LP	121.3	116.0	30.3	29.0	4.2	24
	80x80, 7E, SP	173.0	160.0	43.3	40.0	7.6	24
	80x80, 7E, SBP	145.0	141.0	36.2	35.2	5.3	24
	40x40, 8H, LP	10.0	10.0	5.0	5.0	1.5	14
	60x60, 8F, L	38.7	38.7	12.9	12.9	2.6	35
	80x80, 8E, LP	114.0	114.0	28.4	28.4	4.1	24
	8E, SP	166.0	166.0	41.4	41.4	5.9	24
	8E, L	111.0	111.0	28.0	28.0	3.7	38
	8E, S	166.0	166.0	41.4	41.4	5.9	38
	90x90, 8E, LP	190.5	190.5	42.3	42.3	5.6	30
	8E, L	183.0	183.0	40.7	40.7	5.3	40
100x100, 8E, S	411.0	411.0	82.0	82.0	9.7	43	
	80x80, 8E, LB	115.0	115.0	29.0	29.0	4.5	38
	90x90, 8E, SP	282.0	282.0	63.0	63.0	9.5	30
	8E, S	282.0	282.0	63.0	63.0	9.5	40
	100x100, 8E, L	284.0	284.0	50.8	50.8	6.2	43
	60x60, 8F, angle, S	35.2	35.2	9.9	9.9	2.8	35
	80x80, 8E, angle, S	120.0	120.0	23.8	23.8	6.3	38
	80x120, 10E, SP	449.9	217.8	72.6	54.4	8.6	25
	80x160, 8E, SP	944.0	183.0	118.0	45.8	7.9	25
	80x160, 8E, LP	828.0	259.0	104.0	65.0	8.6	25
	80x160, 12E, SP	883.0	269.0	110.0	67.3	9.4	24
	12E, L	801.0	235.0	100.0	59.0	8.8	38
	12E, S	880.0	268.0	110.0	67.0	9.4	38
	100x200, 12E, SP	2,450.0	760.0	250.0	152.0	17.2	31

	Profile	$I_x^{1)}$	$I_y^{1)}$	$W_x^{2)}$	$W_y^{2)}$	$G^{3)}$	β
	120x120, 12E, SP	624.0	624.0	104.0	104.0	10.6	25

¹⁾ I_x, I_y = moment of inertia in cm^4 ²⁾ W_x, W_y = moment of resistance in cm^3 ³⁾ G = weight in kg/m

Design	PG slot															
16	F															
	E															
20	H															
	F															
30	F											30 hexag.	30 octag.			
	E4															
40	E3	40x40	80x80	80x80	40x30°	40x45°	40x60°	40x90°				40 hexag.	40 octag.			
45	E4															
50	E4								48 round	48 round	48 round					
60	E4															

Profile	$I_x^{1)}$	$I_y^{1)}$	$W_x^{2)}$	$W_y^{2)}$	$G^{3)}$	\rightarrow
40x40, 2E, 45°, LP	7.3	7.3	3.9	3.9	1.4	27
80x80, 3E, 45°, LP	105.0	105.0	26.0	26.0	4.1	27
80x80, 7E, 45°, LP	99.3	99.3	24.8	24.8	4.0	27
40, round 30°, 2F, LP	6.0	4.8	3.0	2.4	1.2	26
40, round 30°, 2F, L	6.0	4.8	3.0	2.4	1.2	39
40, round 45°, 2E, LP	14.5	8.0	4.9	3.7	1.6	26
40, round 45°, 2E, L	14.5	8.0	4.9	3.7	1.6	39
40, round 60°, 2E, LP	30.0	10.5	7.6	4.6	1.9	26
40, round 60°, 2E, L	30.0	10.5	7.6	4.6	1.9	39

Profile	$I_x^{1)}$	$I_y^{1)}$	$W_x^{2)}$	$W_y^{2)}$	$G^{3)}$	\rightarrow
40, round 90°, 2E, LP	89.0	89.0	16.0	16.0	3.0	26
40, round 90°, 2E, L	89.0	89.0	16.0	16.0	3.0	39
48, round, 1E, SP	12.5	12.9	4.9	5.4	1.8	33
48, round, 2E, cor., SP	12.0	12.0	5.0	5.0	2.0	33
48, round, 2E, SP	12.5	13.5	5.1	5.9	2.0	33
30, hexag., 6F, SP	32.0	32.0	9.8	9.8	2.8	33
40, hexag., 6E, SP	83.0	83.0	21.0	21.0	4.4	33
30, octag., 8F, SP	84.0	84.0	21.0	21.0	3.9	33
40, octag., 8E, SP	233.0	233.0	44.0	44.0	6.5	33

Design	PG slot																
16	F																
	E																
20	H																
	F																
30	F	30x30	30x30	30x30	30x30		30x45	30x50	30x50								
	E4																
40	E3		40x40	40x40	40x40		40x60		40x60	60x80	60x80						
45	E4																
50	E4			50x50		50x50											
60	E4																

Profile	$I_x^{1)}$	$I_y^{1)}$	$W_x^{2)}$	$W_y^{2)}$	$G^{3)}$	\rightarrow
30x30, 0F, P, LP	3.8	3.8	2.4	2.4	1.10	45
30x30, 2F, P, LP 5	4.3	3.3	2.8	2.2	1.20	45
30x30, 2F, P, LP 6	3.6	2.8	2.4	1.9	1.00	45
30x30, 2F, WG, LP 7.5	2.6	3.2	1.7	2.1	0.86	48
40x40, 2E, WG, LP 7.5	7.5	8.2	3.8	4.1	1.35	48
30x30, 2F, c., P, LP 4	3.3	3.3	2.2	2.2	1.00	45
40x40, 2E, c., P, LP 4	10.3	10.3	5.2	5.2	1.80	46
50x50, 2E, c., P, LP 4	25.2	25.2	10.6	7.3	2.40	47
30x30, 3F, P, LP 4	3.3	2.8	2.2	1.8	0.90	45
40x40, 3E, P, LP 4	10.2	8.7	5.1	4.3	1.65	46
50x50, 3E, P, LP 4	23.5	20.9	9.9	8.7	2.60	47

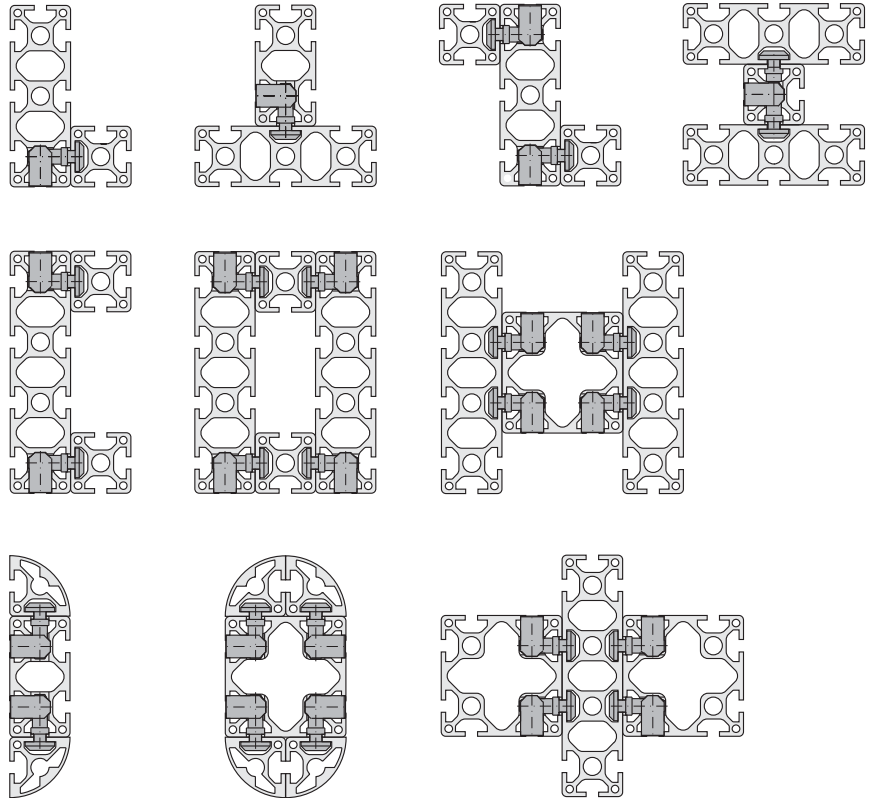
Profile	$I_x^{1)}$	$I_y^{1)}$	$W_x^{2)}$	$W_y^{2)}$	$G^{3)}$	\rightarrow	
30x45, 2F, WG, LP 7.5	7.5	4.3	7.4	2.9	3.3	1.15	48
40x60, 2E, 1F, WG, LP 7.5	12.2	22.5	6.1	7.5	1.97	48	
30x50, 2F, P, LP 5	7.0	14.7	4.7	5.9	1.90	45	
30x50, 3F, P, LP 4	5.5	11.8	3.6	4.8	1.5	45	
40x60, 3E, P, LP 4	14.8	26.3	7.4	8.8	2.4	46	
60x80, 5E, P, LP 4	100.4	50.4	25.1	16.8	3.8	46	
60x80, 6E, P, LP 4	85.8	50.8	21.5	16.9	3.7	46	

¹⁾ I_x, I_y = moment of inertia in cm^4 ²⁾ W_x, W_y = moment of resistance in cm^3 ³⁾ G = weight in kg/m

Profile combinations



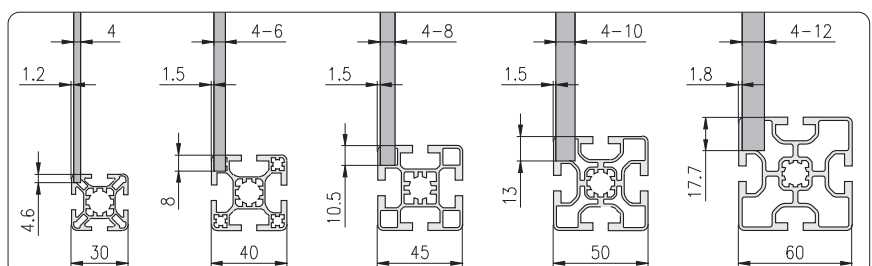
With the MayTec Connector System it is possible to make a multitude of form-matching and stable profile combinations.



Special slits

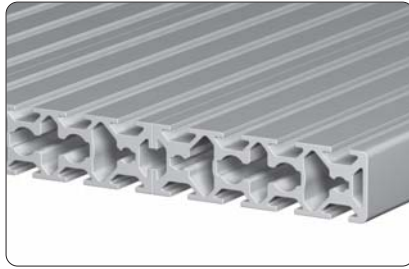


Panel elements can be set in the profile flush to the outer edge for form-matching design. The slits needed for that can be made in nearly all profiles.



Slot plates

F-slot



F-slot, slot distance 25 mm



F-slot, slot distance 50 mm

Application

Profiles to construct slot plates of any required size

E-slot

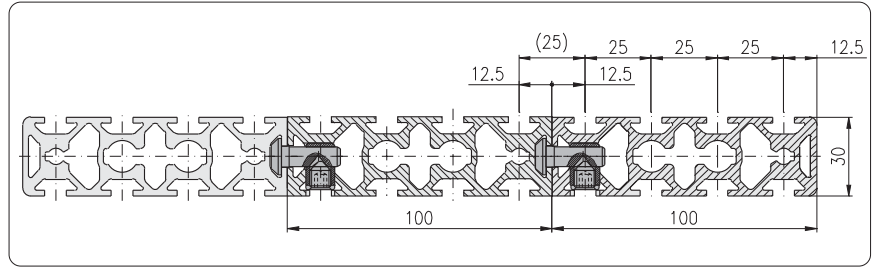


E-slot, slot distance 25 mm (on top),
100 mm (on bottom)



E-slot, slot distance 50 mm

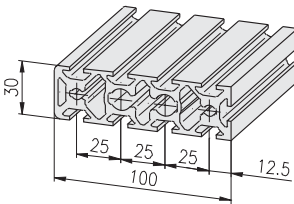
Slot plates F-slot
Slot distance 25 mm



Single parts

- anchor 2.21.A10F5
- cross bushing 2.21.B10

Profile 30×100, 9F, SP



Drill dimensions

Description

Profile 30×100, 9F, SP

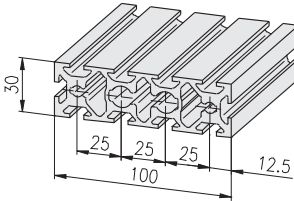
Weight

bar 6 m 3.6 kg/m

Article-No.

1.11.030100.94SP.60

Profile 30×100, 10F, SP



Description

Profile 30×100, 10F, SP

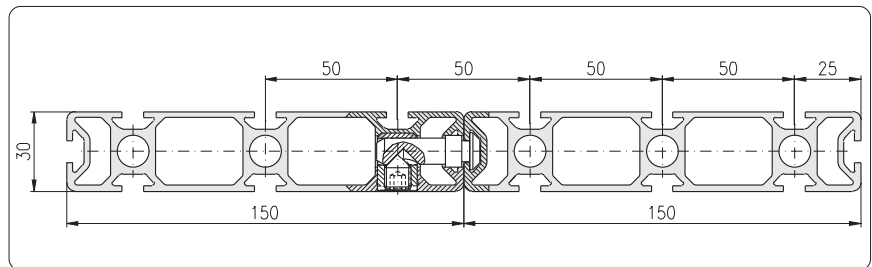
Weight

bar 6 m 3.6 kg/m

Article-No.

1.11.030100.104SP.60

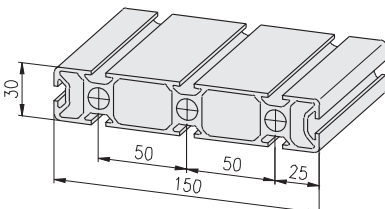
Slot plates F-slot
Slot distance 50 mm



Single parts

- anchor 1.21.A5F5
- cross bushing 1.21.B30

Profile 30×150, 8F, SP



Drill dimensions

Description

Profile 30×150, 8F, SP

Weight

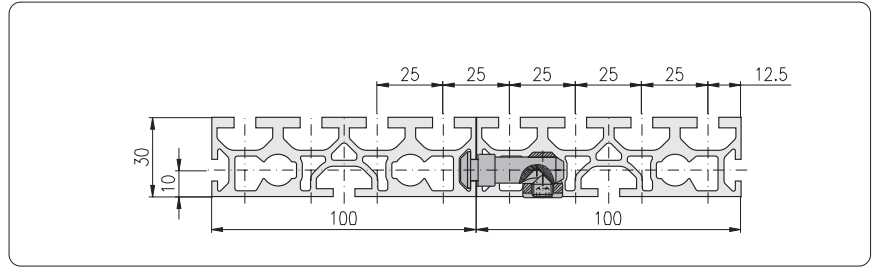
bar 6 m 4.1 kg/m

Article-No.

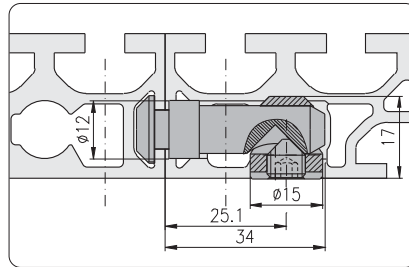
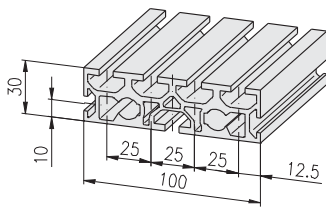
1.11.030150.85SP.60

machining data Profile machining 1.1A

Slot plates E-slot
Slot distance 25 mm



Profile 30×100, 5E, 2F, SP



Drill dimensions

Single parts

anchor 1.21.A5F5
cross bushing 1.21.B24

Description

Profile 30×100, 5E, 2F, SP

Weight

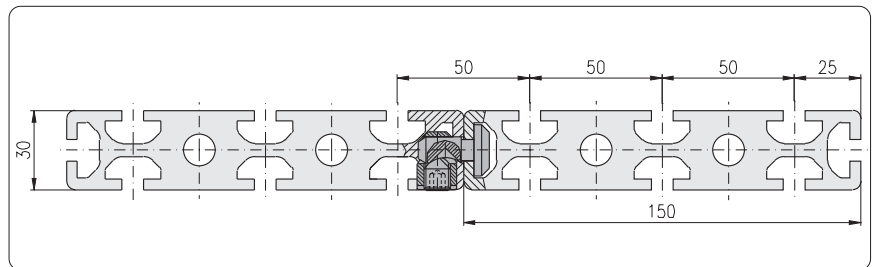
bar 6 m

3.5 kg/m

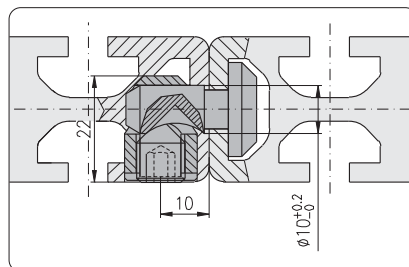
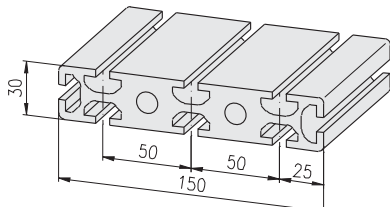
Article-No.

1.11.030100.74SP.60

Slot plates E-slot
Slot distance 50 mm



Profile 30×150, 8E, SP



Drill dimensions

Single parts

anchor 1.21.A2E5
cross bushing 1.21.B34

Description

Profile 30×150, 8E, SP

Weight

bar 6 m

7.9 kg/m

Article-No.

1.11.030150.84SP.60

Hand rail

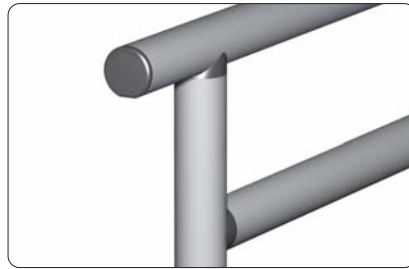


Application

Hand rail for balustrades on stairs and platforms

Comments

Angled joints: 0 deg. to 90 deg.
Incline: 0 deg. to 45 deg.



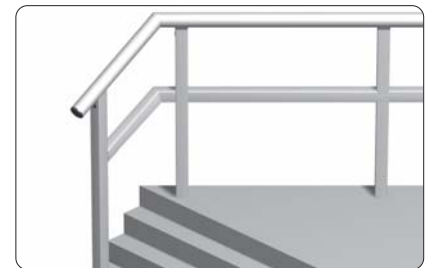
Hand rail straight



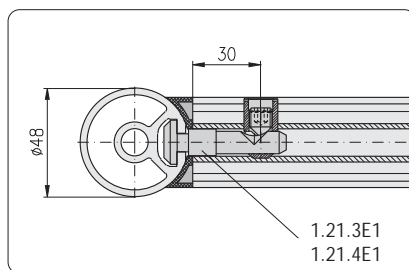
Hand rail angled



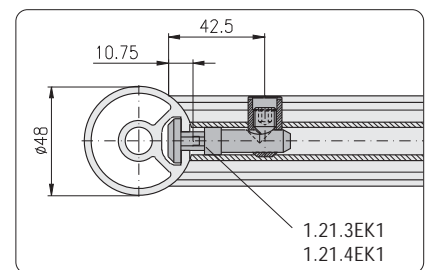
Hand rail tilted



Hand rail tilted and angled



Working dimensions for hand rail straight with radius compensation



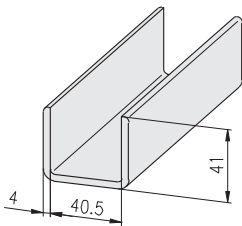
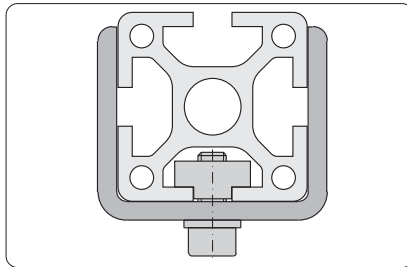
Working dimensions for hand rail straight, tilted and/or angled without radius compensation (milled)

U-Profile 40



Application

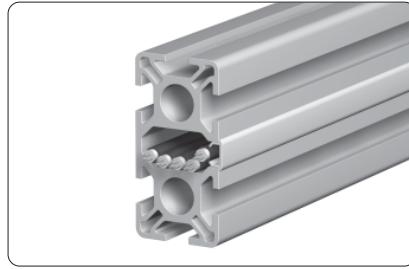
For the construction of height adjustable frames on 40x40 and 40x80 profile bases



Description	Weight	Article-No.
U-Profile 40	bar 6 m 1.35 kg/m	1.19.14440.60



Profiles for cable guide



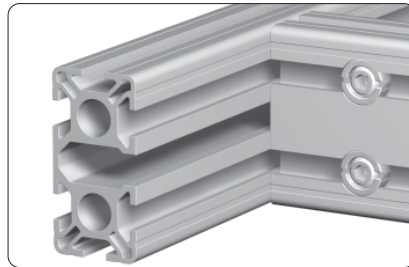
Application

For running cables or pneumatic hoses.
All chamber profiles can be delivered with open slots.

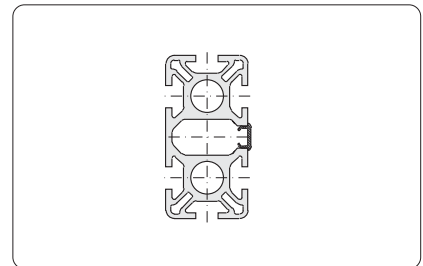
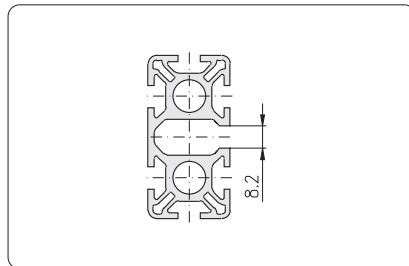
Cover is carried out by cover profiles:

Cover profile PVC 1.41.11□

Cover profile ALU 1.41.121



Application of cross braces to stabilize slotted profiles



- 16
- 20
- 30
- 40
- 45
- 50
- 60

Comments

Profiles for cable guide see list at profile pre-cut lid

Order details

Description

Profile □□□□□□ for cable guide, slotted 8 mm

Article-No.

1.12.□□□□□□.□□

Order example

Order request

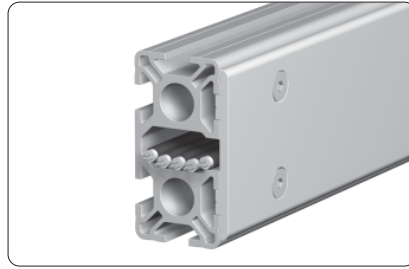
Profile 40×80 mm, 6 E-slots, heavy, 8 mm slotted for cable guide, length 4.5 m

Order

Profile 40×80, 6E S, for cable guide, slotted 8 mm

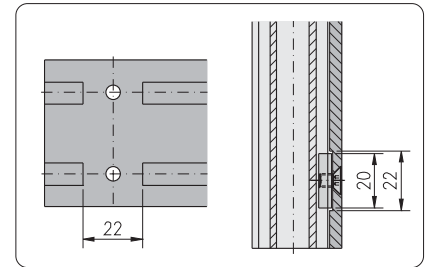
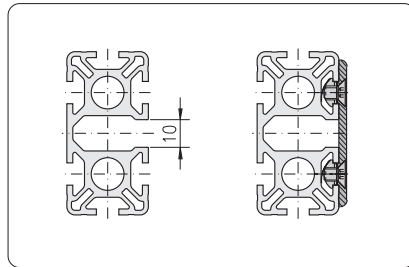
1.12.040080.65S-F00F00/4500

Profiles for cable guide
Slot distance 30



Application

For running cables or pneumatic hoses. All chamber profiles can be delivered with open slots.



Milled section on the pre-cut lid for fastening with T-Nut in F-slot

Profiles for cable guide, slot distance 30				
Profile	light, plain	heavy, plain	light	heavy
30x60	6F LP	0F SP 6F SP	6F L	6F S
60x60		0F SP	8F L	8F angle S

Order details

Description

Profile □□□□□□ for cable guide, slotted 10 mm

Article-No.

1.13.□□□□□□.□□

Order example

Order request

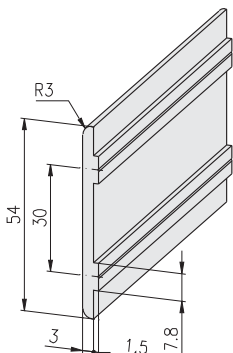
Profile 30x60 mm, 6 F-slots, heavy, 10 mm slotted for cable guide, length 4.5 m

Order

Profile 30x60, 6F S, for cable guide, slotted 10 mm

1.13.030060.65S-A00A00/4500

Profile pre-cut lid 30



Single parts

- countersunk screw DIN 7991, M5x8 0.63.D07991.05008
- threaded plate F, M5 1.31.FM5
- T-Nut for subsequent insertion F, M5 1.32.4FM5

Description

Profile pre-cut lid 30

Weight

0.49 kg/m

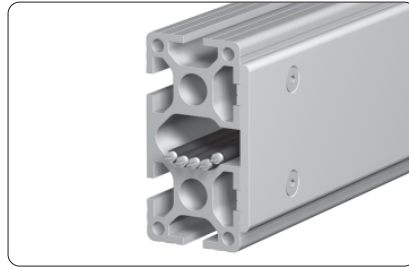
Article-No.

1.19.110130

machining data Profile machining 1.1A

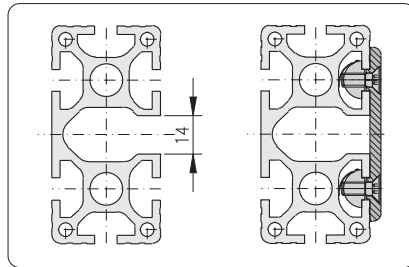


Profiles for cable guide
Slot distance 40



Application

For running cables or pneumatic hoses. All chamber profiles can be delivered with open slots.



Profiles for cable guide, slot distance 40										
Profile	light, plain					heavy, P	light		heavy	
40x80										
80x80										

Order details

Description

Profile □□□□□□ for cable guide, slotted 14 mm

Article-No.

1.13.□□□□□□.□□

Order example

Order request

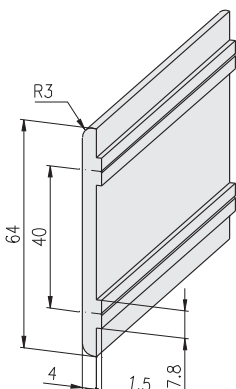
Profile 80x80 mm, 8 E-slots, heavy, 14 mm slotted for cable guide, length 4.5 m

Order

Profile 80x80, 8E S, for cable guide, slotted 14 mm

1.13.080080.83S-L00L00/4500

Profile pre-cut lid 40



Single parts

- countersunk screw DIN 7991, M6x14 0.63.D07991.06014
- threaded plate E, M6 1.31.EM6
- T-Nut for subsequent insertion E, M6 1.32.4EM6

Description

Profile pre-cut lid 40

Weight

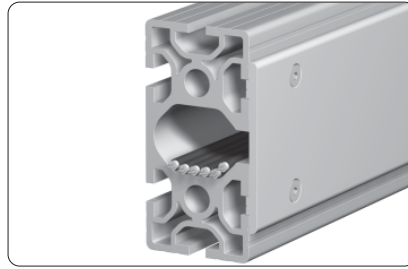
0.74 kg/m

Article-No.

1.19.110140

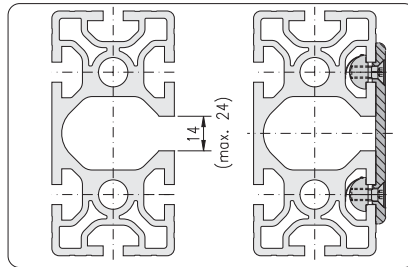
machining data Profile machining 1.1A

Profiles for cable guide
Slot distance 50



Application

For running cables or pneumatic hoses. All chamber profiles can be delivered with open slots.



Profiles for cable guide, slot distance 50								
heavy, plain			light		heavy			
30×100	30×150	100×200	50×100	100×100	50×100	50×150	100×100	
8F SP	8F SP	12E SP	6E L	8E L	6E S	8E S	8E S	

Order details

Description

Profile □□□□□□ for cable guide, slotted 14 mm

Article-No.

1.13.□□□□□□.□□

Order example

Order request

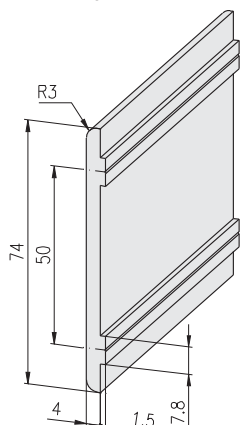
Profile 50×100 mm, 6 E-slots, heavy, 14 mm slotted for cable guide, length 4.5 m

Order

Profile 50×100, 6E S, for cable guide, slotted 14 mm

1.13.050100.65S-F00F00/4500

Profile pre-cut lid 50



Single parts

F-slot

- countersunk screw DIN 7991, M5×8 0.63.D07991.05008
- threaded plate F, M5 1.31.FM5
- T-Nut for subsequent insertion F, M5 1.32.4FM5

E-slot

- countersunk screw DIN 7991, M6×14 0.63.D07991.06014
- threaded plate E, M6 1.31.EM6
- T-Nut for subsequent insertion E, M6 1.32.4EM6

Description

Profile pre-cut lid 50

Weight

0.85 kg/m

Article-No.

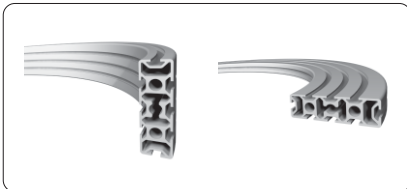
1.19.110150

machining data Profile machining 1.1A

Curved profiles

For curved profiles the following data are needed:

- Profile (current conditions see table below)
- Position of profile ↗ 61
- Radius
- Direction ↗ 63
- Accuracy to size for profile elements and for profile functions



Position of profile

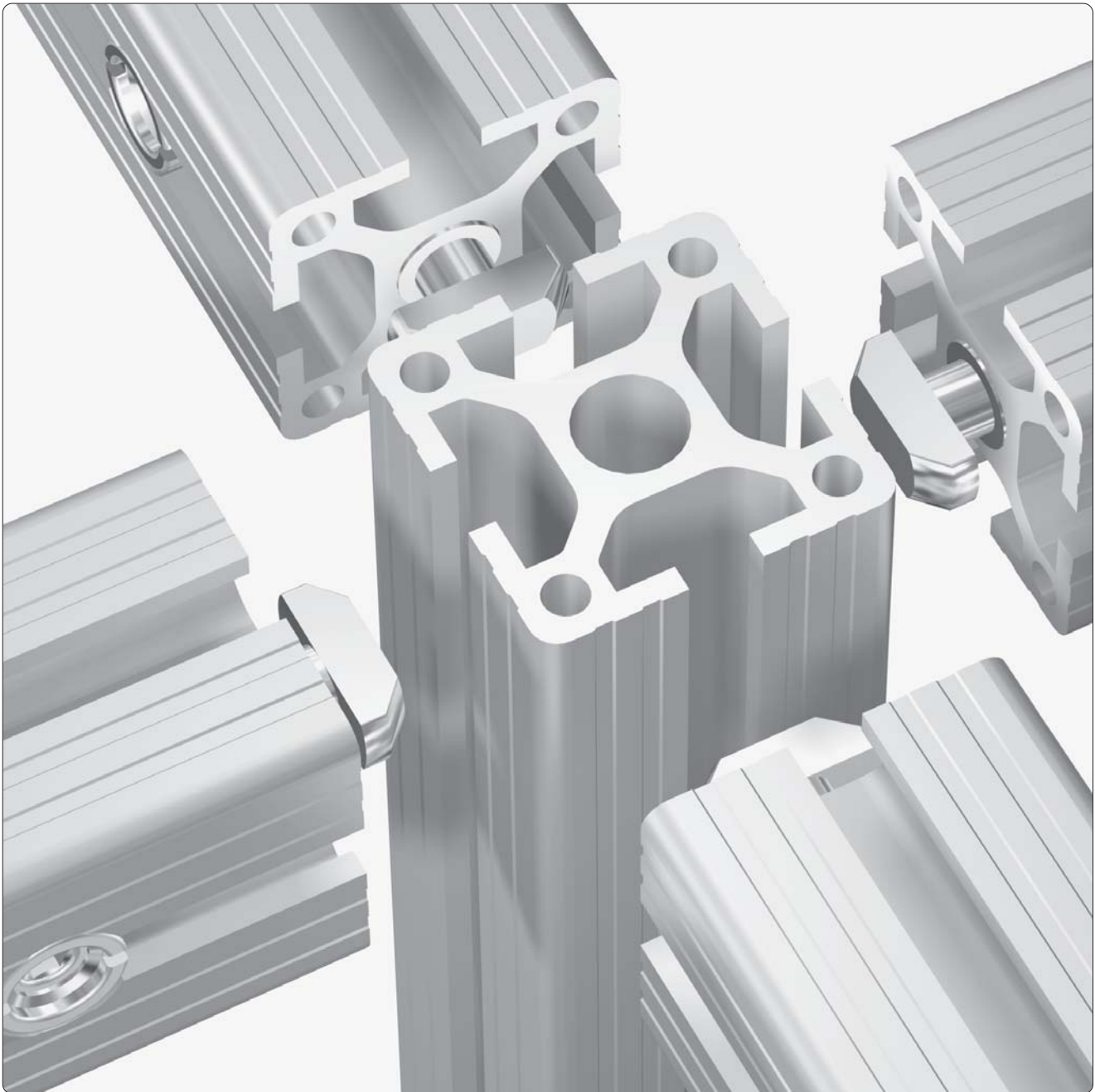


Function 'T- Nut'													Function 'threaded plate'													Function 'connector'																	
position of slot(s)													position of slot(s)													position of slot(s)						position of core hole(s)											
A	B	C	D	E	F	G	H	I	K	L	M	A	B	C	D	E	F	G	H	I	K	L	M	A	B	C	D	E	F	G	H	I	K	L	M	a	b	c	d	e	f	g	h

The marking of the slots and core holes takes place in accordance with the marking for 'the profile machining' ↗ 1.1A

Article-No.	PG	Profile	min. inside-Ø
1.09.016040.14SP	16	16×40, 1E, SP	400
1.10.016040.14LP		16×40, 1F, LP	400
1.10.016040.14SP		16×40, 1F, SP	400
1.10.020020.21SP	20	20×20, 2H, soft, SP	700
1.10.020020.22SP		20×20, 2H, cor., SP	700
1.10.020020.23LP		20×20, 2H, LP	700
1.10.020020.33SP		20×20, 3H, SP	700
1.10.020020.43LP		20×20, 4H, LP	700
1.10.020020.43SP		20×20, 4H, SP	700
1.11.020010.14LP		20×10, 1F, LP	400
1.11.020030.14LP		20×30, 1F, LP	700
1.11.020030.24LP		20×30, 2F, LP	700
1.11.020030.24SP		20×30, 2F, SP	700
1.11.030030.03SP	30	30×30, 0F, SP	700
1.11.030030.13LP		30×30, 1F, LP	700
1.11.030030.13SP		30×30, 1F, SP	700
1.11.030030.22S		30×30, 2F, cor., S	700
1.11.030030.22SB		30×30, 2F, cor., SB	700
1.11.030030.22SBP		30×30, 2F, cor., SBP	700
1.11.030030.22L		30×30, 2F, cor., L	700
1.11.030030.22LP		30×30, 2F, cor., LP	700
1.11.030030.23L		30×30, 2F, L	700
1.11.030030.23LP		30×30, 2F, LP	700
1.11.030030.23SP		30×30, 2F, SP	700
1.11.030030.33S		30×30, 3F, S	700
1.11.030030.33L		30×30, 3F, L	700
1.11.030030.33LP		30×30, 3F, LP	700
1.11.030030.33SP		30×30, 3F, SP	700
1.11.030030.43S		30×30, 4F, S	700
1.11.030030.43L		30×30, 4F, L	700
1.11.030030.43LP		30×30, 4F, LP	700
1.11.030030.43SP		30×30, 4F, SP	700
1.11.030050.44S		30×50, 4F, S	700
1.11.030050.44L		30×50, 4F, L	700
1.11.030060.04SP		30×60, 0F, SP	700
1.11.030060.64L		30×60, 6F, L	700

Article-No.	PG	Profile	min. inside-Ø
1.11.030060.64LP	30	30×60, 6F, LP	700
1.11.030060.65S		30×60, 6F, S	700
1.11.030060.65SP		30×60, 6F, SP	700
1.11.030100.74SP		30×100, 5E, 2F, SP	700
1.11.030100.84SP		30×100, 8F, SP	700
1.11.030100.94SP		30×100, 9F, SP	700
1.11.030100.104SP		30×100, 10F, SP	700
1.11.040040.03SP	40	40×40, 0E, LP	700
1.11.040040.13LP		40×40, 1E, LP	700
1.11.040040.22S		40×40, 2E, cor., S	700
1.11.040040.22L		40×40, 2E, cor., L	700
1.11.040040.22LP		40×40, 2E, cor., LP	700
1.11.040040.22SP		40×40, 2E, cor., SP	700
1.11.040040.23L		40×40, 2E, L	700
1.11.040040.23LP		40×40, 2E, LP	700
1.11.040040.33S		40×40, 3E, S	700
1.11.040040.33L		40×40, 3E, L	700
1.11.040040.33LP		40×40, 3E, LP	700
1.11.040040.43S		40×40, 4E, S	700
1.11.040040.43L		40×40, 4E, L	700
1.11.040040.43LP		40×40, 4E, LP	700
1.11.040040.43SP		40×40, 4E, SP	700
1.11.040060.04LP		40×60, 0E, LP	700
1.11.040080.04LP		40×80, 0E, LP	700
1.11.040080.44L		40×80, 4E, L	700
1.11.040080.64L		40×80, 6E, L	700
1.11.040080.65S		40×80, 6E, S	700
1.11.040080.32LP		40×80, 3E, cor., LP	700
1.11.040080.44LP		40×80, 4E, LP	700
1.11.040080.44LBP		40×80, 4E, LBP	700
1.11.040080.54LP		40×80, 5E, LP	700
1.11.040080.64LP		40×80, 6E, LP	700
1.11.040080.64SP		40×80, 6E, SP	700
1.11.048R00.10SP		48, round, 1E, SP	1.500
1.11.048R00.20SP		48, round, 2E, SP	1.500
1.11.048R00.22SP		48, round, 2E, cor., SP	1.500



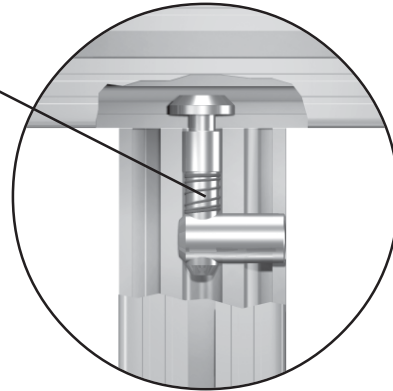
2

Simple	The proven connection system!	The connection allows:
Quick	The MayTec quick-connection system allows combination of all MayTec profiles in any way imaginable.	<ul style="list-style-type: none"> • easy machining • quick assembly • innumerable (dis)assemblies
Economical	It carries same stability out after all four sides.	The connection system is:
Functional		<ul style="list-style-type: none"> • complete • stable • functional

Vibration proof	The different direction angles of lead of thread and clamping cone prevent the loosening of the connection by vibration.	
------------------------	--	--



Stability S-Class



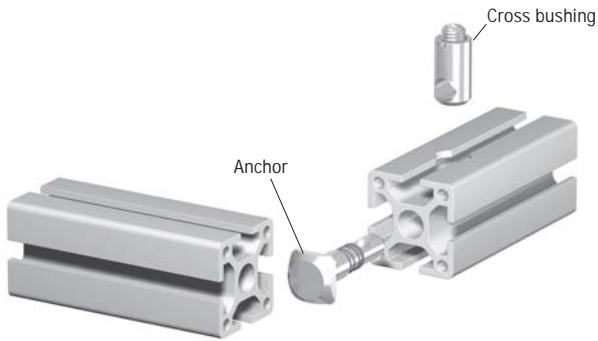
**MayTec
Universal-Connector**

18,000N
working load

**Vibration
proof**

MayTec connector with square head

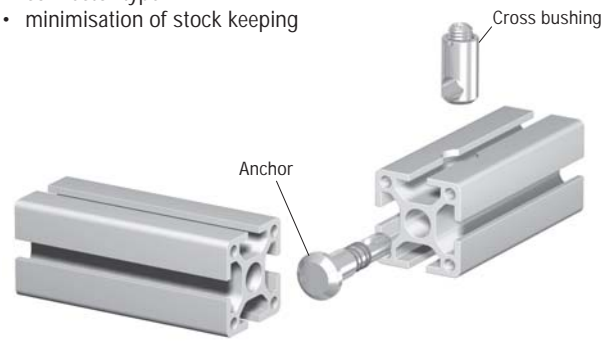
The MayTec connector with square head offers the highest load bearing capacity.



MayTec universal-connector

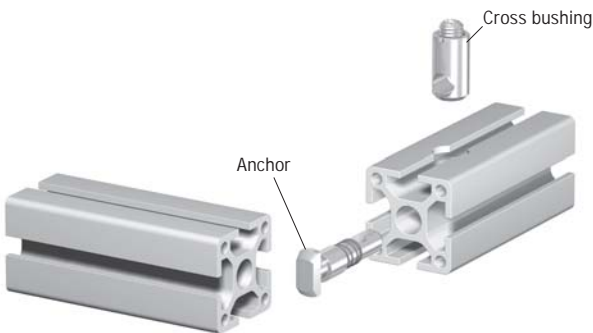
The MayTec universal-connector allows:

- any desired position of profiles
- only one type for 0° and 90° position of cross bushing
- simple determination of the connector type
- minimisation of stock keeping



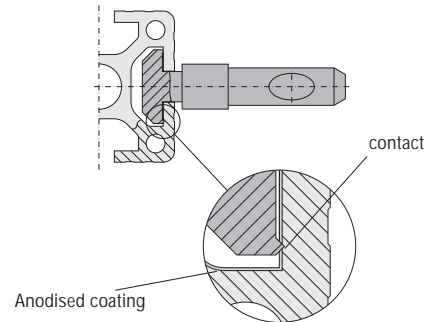
MayTec standard-connector

The MayTec standard-connector allows subsequent front-sided mounting or dismounting in any location.



MayTec ground-connector for potential equalisation

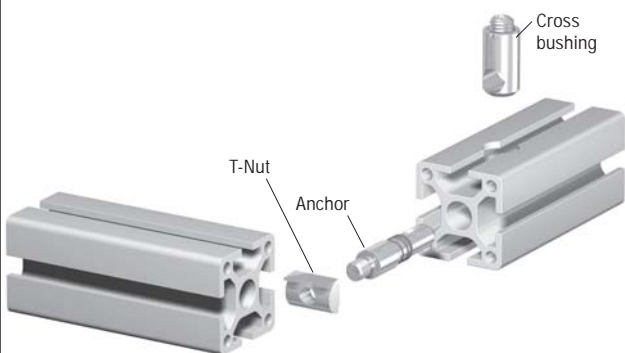
The MayTec ground-connector allows potential equalisation between two profiles. When the connector is tightened, the serration at the rear of the anchor head penetrates the anodised profile coating and thus provides an electrical contact.



Deliverable types ↗ *Connectors 1.2A*
Ground connections ↗ *1.70*

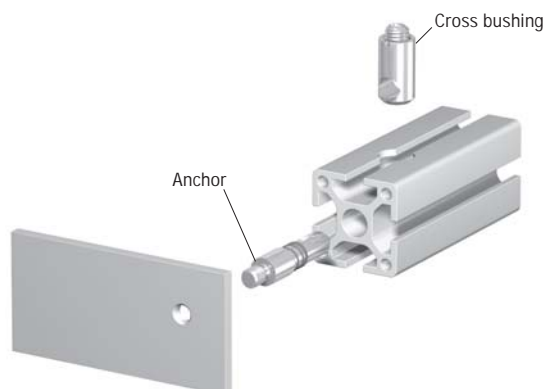
MayTec screw-type connector

The MayTec screw-type connector allows connection to profiles by means of T-Nuts.



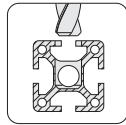
MayTec screw-type connector

The MayTec screw-type connector allows connection to threaded holes in plates.

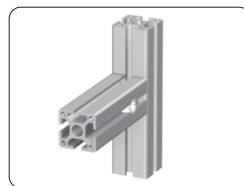
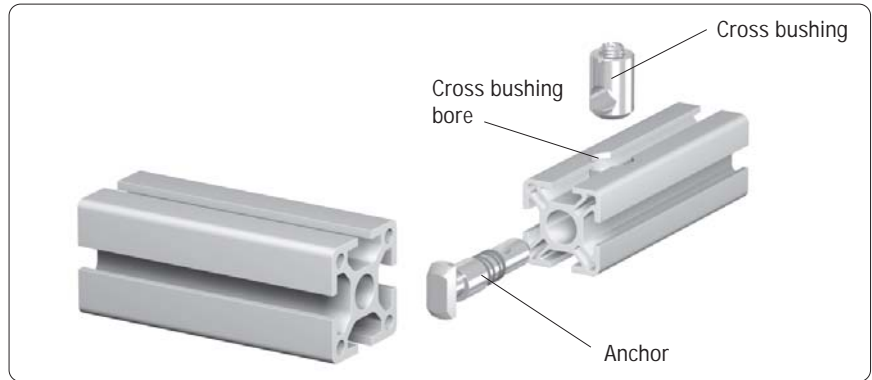


The MayTec Connector System

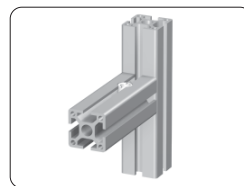
- mounting of connector in core hole
- with machining



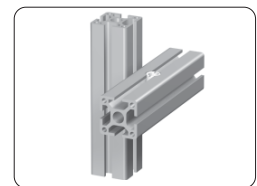
Cross
bushing bore



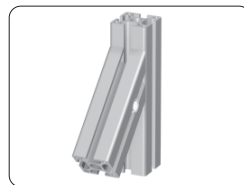
Standard ↗ 94, 96



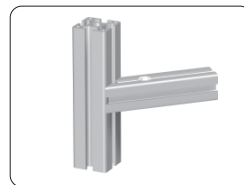
Screw-type ↗ 95, 100



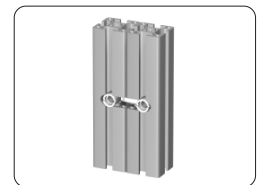
Parallel ↗ 94, 98



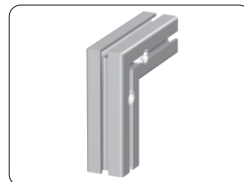
Oblique ↗ 94, 96



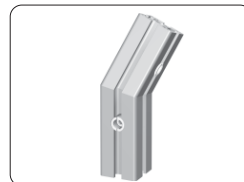
Oblique-cross ↗ 97



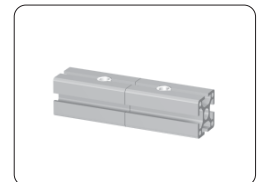
Extension / Parallel ↗ 111



Miter ↗ 94, 99



Shifter ↗ 99



Extension ↗ 94, 98

Anti-twist devices



with retaining plate ↗ 134



with T-Nut ↗ 145-148

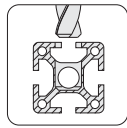
Clamping lever for connectors



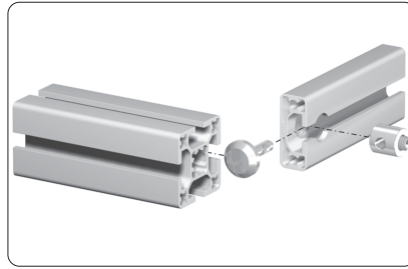
Clamping lever ↗ 137

The MayTec Connector System

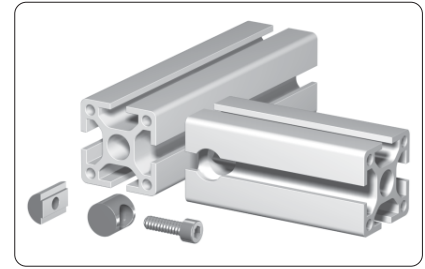
- mounting of connector in slot
- with machining



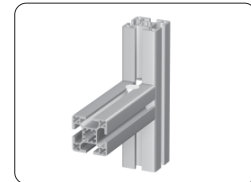
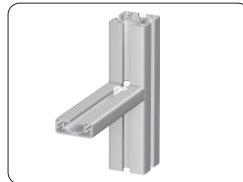
Cross bushing bore



SE-Connector ↗ 113

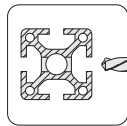
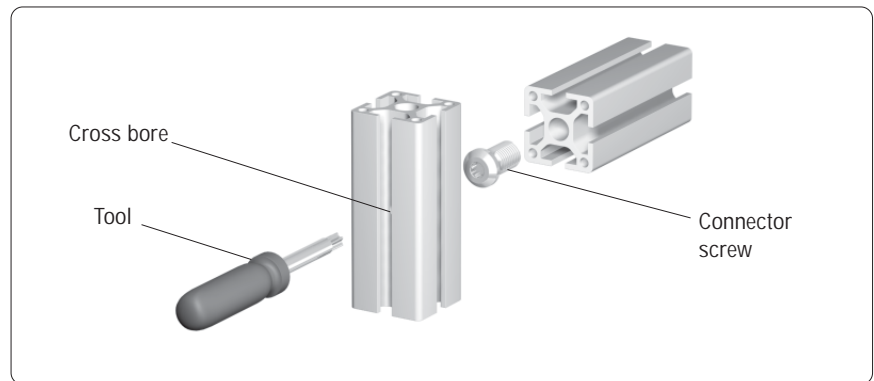


ST-Connector ↗ 114-115

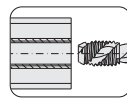


Screw-type connections

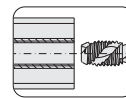
- with machining



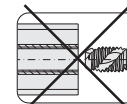
Cross bore



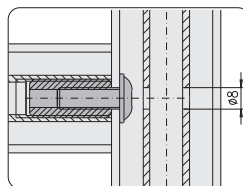
Thread



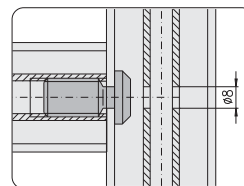
Thread



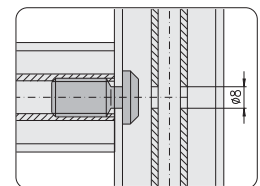
Thread



Threaded insert with lens head screw
↗ 1.35



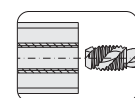
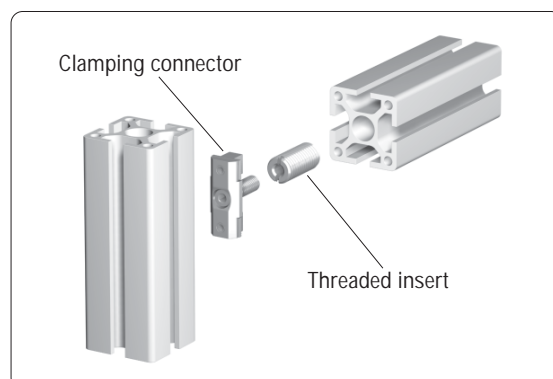
Connector screw
↗ 101



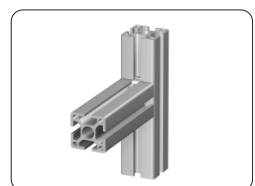
Connector screw, self-cutting
↗ 101, 116

Clamping connections

- with machining



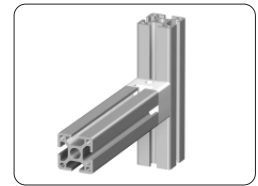
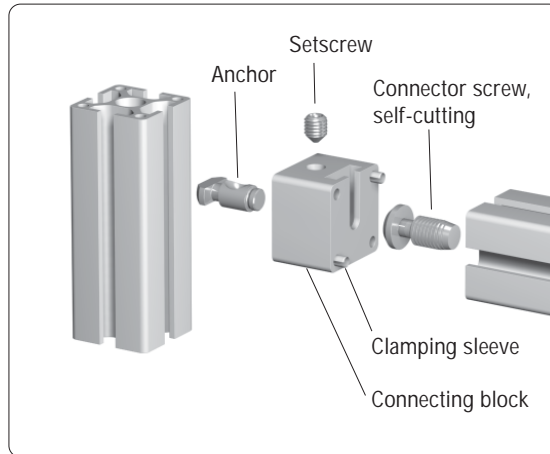
Thread



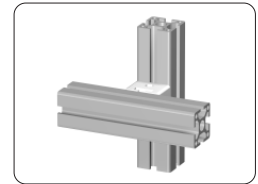
Clamping connector
↗ 123

The MayTec Connector System

- Connector kits
- without machining



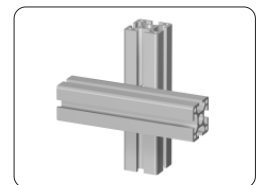
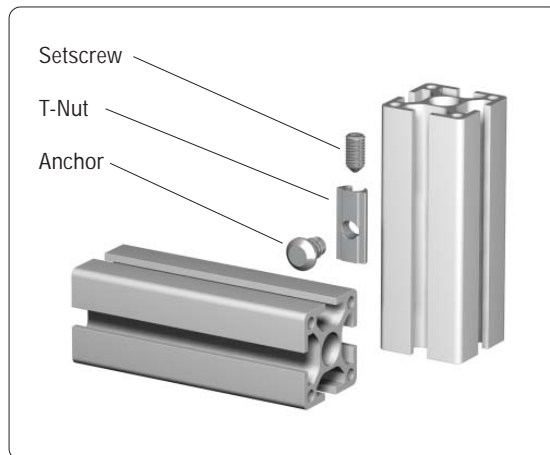
Standard ↗ 117



Parallel ↗ 118

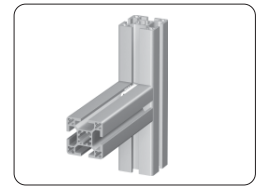
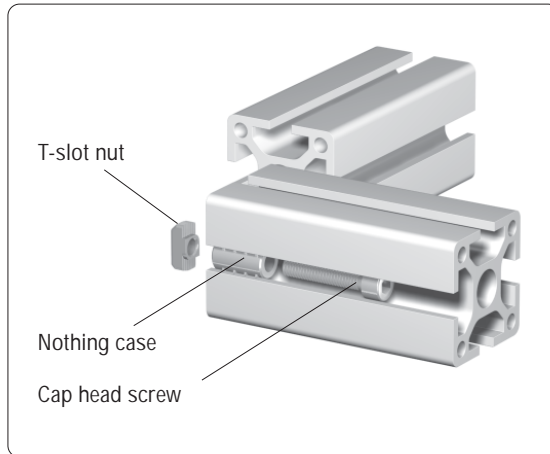
The MayTec Connector System

- Parallel connector
- without machining



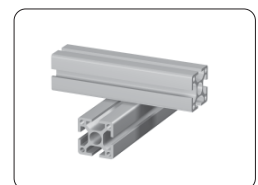
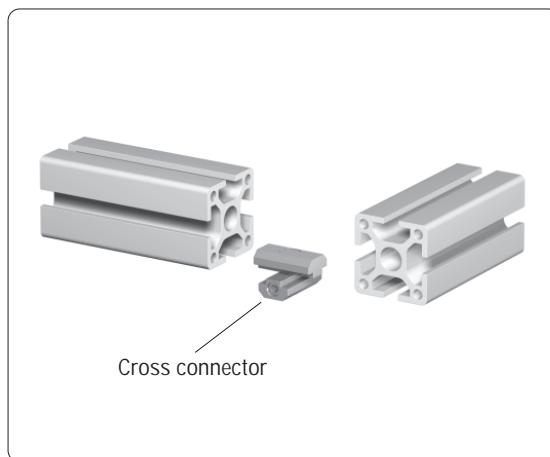
Parallel connector ↗ 122

Bayonet type connections
• without machining



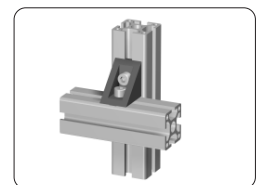
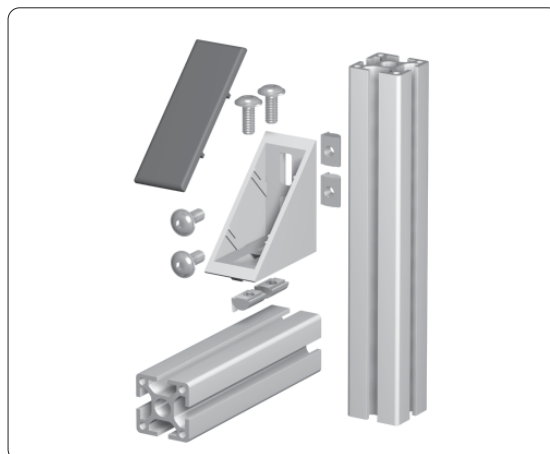
Standard ↗ 119-120

Cross connections
• without machining

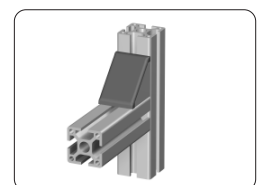


Cross connector ↗ 121

Angle connections
• without machining

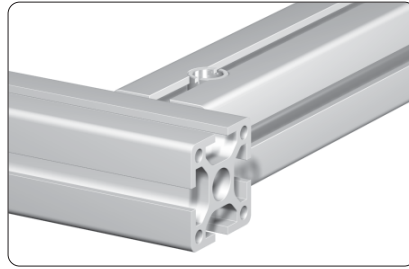


Angle PA ↗ 1.46



Angle GD-Zn, GD-Al
↗ 1.46

Manufacture a connection



Example

Connection of two profiles 40x40 with one standard connector

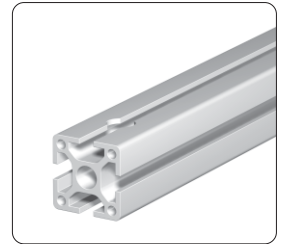
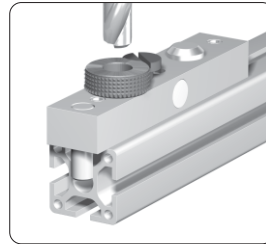
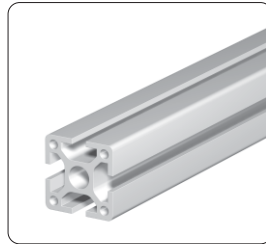
1. Connector selection

➤ 1.2, Connector selection

2. Profile machining

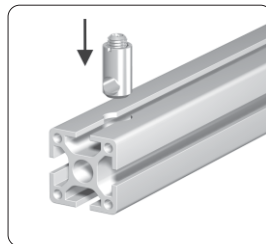
➤ 1.1A, Profile machining

➤ 1.99, Tools

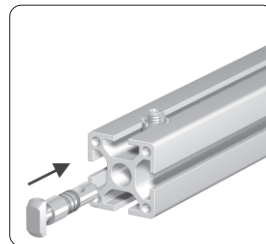


Manufacture the cross bushing bore with the aid of a drill jig

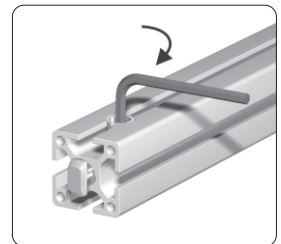
3. Pre-assembly of the connector



Insert the cross bushing

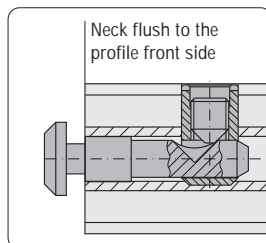


Push in the anchor



Pretension the anchor

⚠ Mounting position



Neck flush to the profile front side

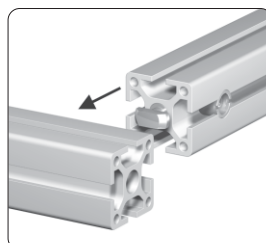
Comments

For the optimal assembly of the profiles the connector is to be installed in such a way that the neck is flush to the profile front side

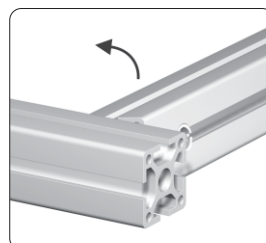
4. Final assembly

➤ 1.2F, Torque tightening values for connector setscrew

①



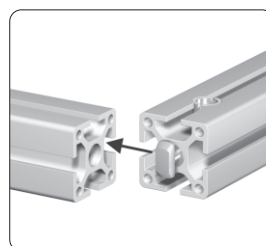
Push in sideways



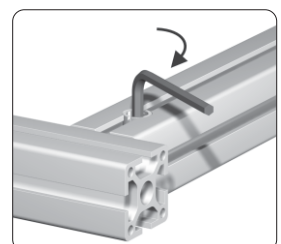
Turn the profile

or

②



Push in front sided



Tighten the setscrew

Connector selection		
Procedure		Example
① Connection	Selection of connector-variant	Standard
② Profile 1	Size of the profile in which the connector should be built into	30×30 mm
③ Core hole	Determination of the core hole Ø	Ø12 mm
④ Profile 2	Determination of the connector-head according to slot-variant of the profile on which it will be joined	40×40 mm / E-slot
⑤ Connector	Determination of connector	1.21.3E1
⑥ Number of degrees	Bent anchor: determine the angle (0° - 45°)	

Connector types and materials		
Connector	Article-No.	Technical data
Standard	1.21.2E0	material: steel strength: $\geq 650 \text{ N/mm}^2$ surface: galvanised
Standard, ground	1.21.2E0 E	
Standard VA	1.21.2E0 V	material: stainless steel 1.4305 strength: 490-685 N/mm^2 surface: pickled and passivated

Special cases				
Profile	Mounting position	PG for connector selection	Mounting position	PG for connector selection
20×30 30×50		20 30		30 50
30×100		30		50

MayTec		Connectors for profiles with core hole-Ø 12 mm			1.2A						
Connection / Connector	Finished dimension	PG	Article-No. for connector with								
			H-head		F-head		E-head				
			steel standard	E	VA	steel standard	E	VA	steel standard	E	VA
Universal 		20	1.21.2H0			1.21.2F0	E	V	1.21.2E0	E	V
		30	1.21.3H0			1.21.3F0	E	V	1.21.3E0	E	V
		40				1.21.4F0	E	V	1.21.4E0	E	V
		45				1.21.45F0	E	V	1.21.45E0	E	V
		50				1.21.5F0	E	V	1.21.5E0	E	V
		60				1.21.6F0	E	V	1.21.6E0	E	V
Standard 		20				1.21.2F1	E	V	1.21.2E1	E	V
		30				1.21.3F1	E	V	1.21.3E1	E	V
		40				1.21.4F1	E	V	1.21.4E1	E	V
		45				1.21.45F1	E	V	1.21.45E1	E	V
		50				1.21.5F1	E	V	1.21.5E1	E	V
		60				1.21.6F1	E	V	1.21.6E1	E	V
90° 		20				1.21.2F2	E	V	1.21.2E2	E	V
		30				1.21.3F2	E	V	1.21.3E2	E	V
		40				1.21.4F2	E	V	1.21.4E2	E	V
		45				1.21.45F2	E	V	1.21.45E2	E	V
		50				1.21.5F2	E	V	1.21.5E2	E	V
		60				1.21.6F2	E	V	1.21.6E2	E	V
Oblique -hinge l + r 		20				1.21.2FK1		V	1.21.2EK1		V
		30				1.21.3FK1		V	1.21.3EK1		V
		40				1.21.4FK1		V	1.21.4EK1		V
		45				1.21.45FK1		V	1.21.45EK1		V
		50				1.21.5FK1		V	1.21.5EK1		V
		60				1.21.6FK1		V	1.21.6EK1		V
-bent anchor l 		20				1.21.2FB1L/□□	E		1.21.2EB1L/□□	E	
		30				1.21.3FB1L/□□	E		1.21.3EB1L/□□	E	
		40				1.21.4FB1L/□□	E		1.21.4EB1L/□□	E	

Connection / Connector	Finished dimension	PG	Article-No. for connector with								
			H-head		F-head		E-head				
			steel standard	E	VA	steel standard	E	VA	steel standard	E	VA
Universal 		20	1.20.2H0		V	1.20.2F0			1.20.2E0		
Oblique -hinge l + r 		20	1.20.2HK1			1.20.2FK1					
Oblique 90° -hinge 		20	1.20.2HK2			1.20.2FK2					
Parallel -square 		20	1.20.2H0		V	1.20.2F0			1.20.2E0		
-cross 											
-high 											

Connection / Connector	Finished dimension	PG	Article-No. for connector		
			steel standard	E	VA
Miter -hinge l + r 		20	1.20.2G1		
Miter 90° -hinge l + r 		20	1.20.2G2		
Extension 		20	1.20.2V0		V

Machining of profiles with core hole-Ø 6 mm for miter

In order not to reduce the strength of the miter joint one profile end must be counterbored

drill hole $\varnothing 6.5$

The center portion of the anchor part is to be located in the counterbored profile section

anchor mounted

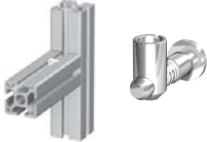
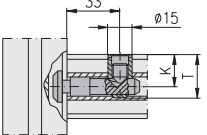
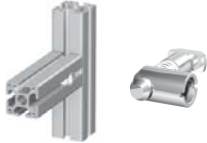
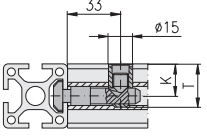

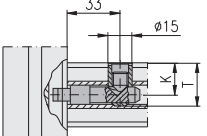

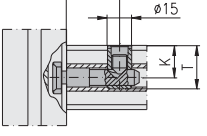
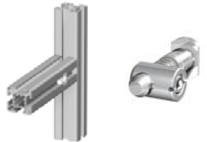
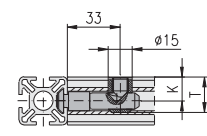

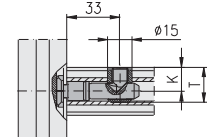

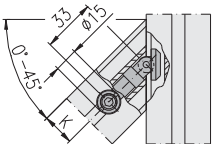

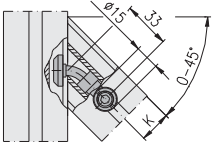
Comments
 Use drill for miter anchor Article-No.: 1.99.0310800 ↗ tools 1.99

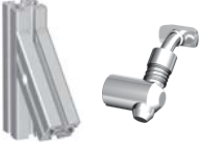
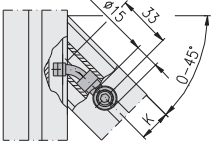
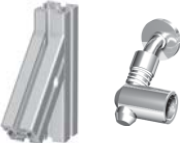
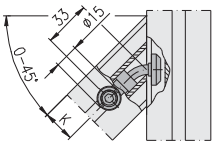

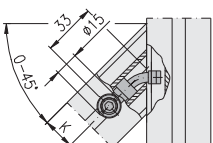

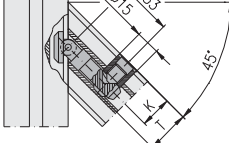

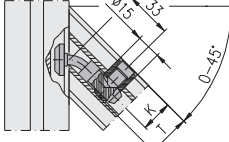

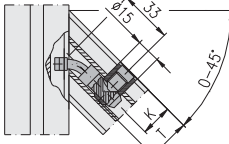

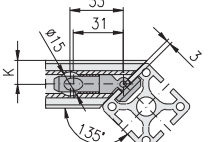

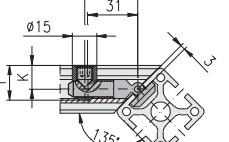
E = ground-connector, VA = stainless steel 1.4305

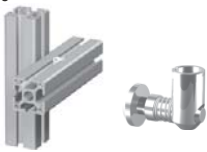
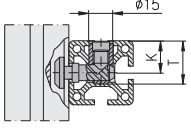
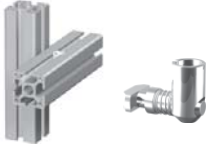
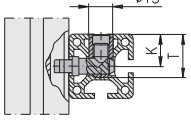
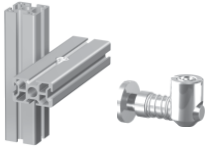
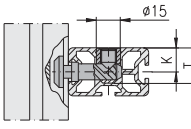
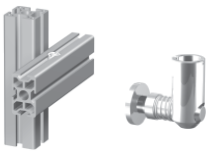
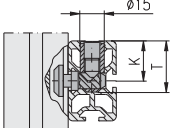
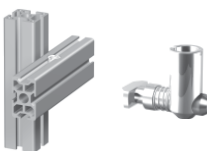
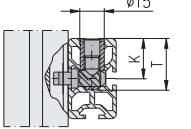
Connection variants with screw-type connectors		
Profile with profile	Profile to plate with thread	Profile to plate with through-hole

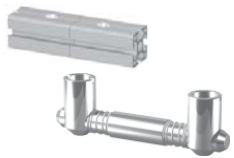
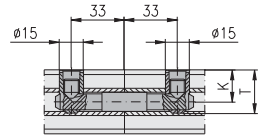

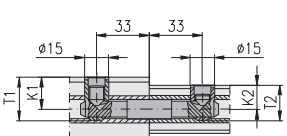
Mounting instruction for screw-type connectors
<ol style="list-style-type: none"> 1. Screw anchor in until it stops against the shoulder 2. Unscrew anchor until it lines-up with the cross bushing position (max. one turn) 3. Set up profile with cross bushing

Connection / Connector	Finished dimension	PG	thread	Article-No. for connector	
				steel standard	VA E
Screw-type front sided 		20	M4×7	1.20.2S2M4/7	V
			M5×7	1.20.2S2M5/7	
			M6×7	1.20.2S2M6/7	
Screw-type parallel -square 					
-cross 					
-high 					

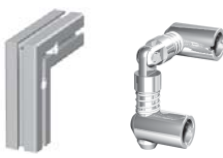
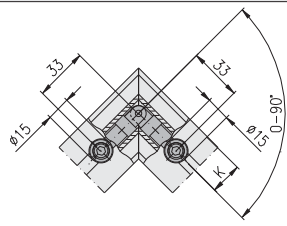
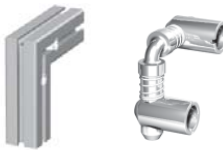
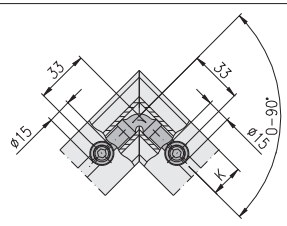

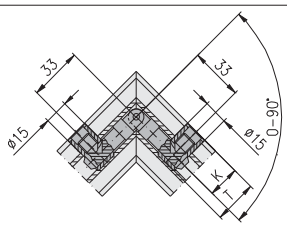

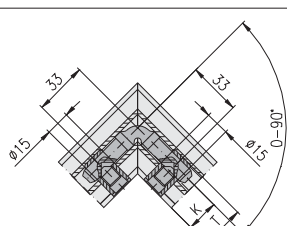

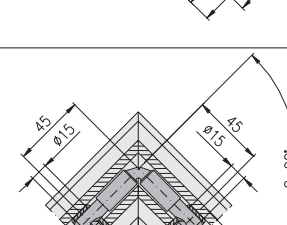

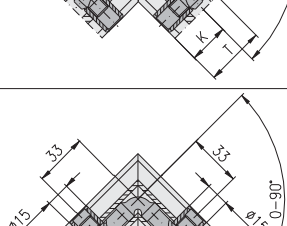

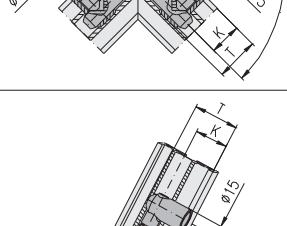
Connection / Connector	Finished dimension	PG	Article-No. for connector with								
			H-head			F-head			E-head		
			steel standard	E	VA	steel standard	E	VA	steel standard	E	VA
Universal 		20	1.21.2H0			1.21.2F0	E	V	1.21.2E0	E	V
		30	1.21.3H0			1.21.3F0	E	V	1.21.3E0	E	V
		40	1.21.40H0			1.21.4F0	E	V	1.21.4E0	E	V
		45	1.21.45H0			1.21.45F0	E	V	1.21.45E0	E	V
		50	1.21.50H0			1.21.5F0	E	V	1.21.5E0	E	V
		60	1.21.60H0			1.21.6F0	E	V	1.21.6E0	E	V
Standard 		20				1.21.2F1	E	V	1.21.2E1	E	V
		30				1.21.3F1	E	V	1.21.3E1	E	V
		40				1.21.4F1	E	V	1.21.4E1	E	V
		45				1.21.45F1	E	V	1.21.45E1	E	V
		50				1.21.5F1	E	V	1.21.5E1	E	V
		60				1.21.6F1	E	V	1.21.6E1	E	V
90° 		20				1.21.2F2	E	V	1.21.2E2	E	V
		30				1.21.3F2	E	V	1.21.3E2	E	V
		40				1.21.4F2	E	V	1.21.4E2	E	V
		45				1.21.45F2	E	V	1.21.45E2	E	V
		50				1.21.5F2	E	V	1.21.5E2	E	V
		60				1.21.6F2	E	V	1.21.6E2	E	V
Square head Universal 		20							1.21.20E40		
		30							1.21.30E40		
		40							1.21.40E40		
		45							1.21.45E40		
		50							1.21.50E40		
		60							1.21.60E40		
Square head Standard 		20				1.21.20F41					
		30				1.21.30F41					
		40				1.21.40F41					
		45				1.21.45F41					
		50				1.21.50F41					
		60				1.21.60F41					
90° 		20				1.21.20F42					
		30				1.21.30F42					
		40				1.21.40F42					
		45				1.21.45F42					
		50				1.21.50F42					
		60				1.21.60F42					
Oblique -hinge l + r 		20				1.21.2FK1		V	1.21.2EK1		V
		30				1.21.3FK1		V	1.21.3EK1		V
		40				1.21.4FK1		V	1.21.4EK1		V
		45				1.21.45FK1		V	1.21.45EK1		V
		50				1.21.5FK1		V	1.21.5EK1		V
		60				1.21.6FK1		V	1.21.6EK1		V
-bent anchor l 		20				1.21.2FB1L/□□	E		1.21.2EB1L/□□	E	
		30				1.21.3FB1L/□□	E		1.21.3EB1L/□□	E	
		40				1.21.4FB1L/□□	E		1.21.4EB1L/□□	E	
		45				1.21.45FB1L/□□	E		1.21.45EB1L/□□	E	
		50				1.21.5FB1L/□□	E		1.21.5EB1L/□□	E	
		60				1.21.6FB1L/□□	E		1.21.6EB1L/□□	E	

Connection / Connector	Finished dimension	PG	Article-No. for connector with							
			H-head		F-head				E-head	
			steel standard	E	steel standard	E	VA	steel standard	E	VA
Oblique -bent anchor standard l 		20			1.21.2F1B1L/□□			1.21.2E1B1L/□□		
		30			1.21.3F1B1L/□□			1.21.3E1B1L/□□		
		40			1.21.4F1B1L/□□			1.21.4E1B1L/□□		
		45			1.21.45F1B1L/□□			1.21.45E1B1L/□□		
		50			1.21.5F1B1L/□□			1.21.5E1B1L/□□		
		60			1.21.6F1B1L/□□			1.21.6E1B1L/□□		
-bent anchor r 		20			1.21.2FB1R/□□	E		1.21.2EB1R/□□	E	
		30			1.21.3FB1R/□□	E		1.21.3EB1R/□□	E	
		40			1.21.4FB1R/□□	E		1.21.4EB1R/□□	E	
		45			1.21.45FB1R/□□	E		1.21.45EB1R/□□	E	
		50			1.21.5FB1R/□□	E		1.21.5EB1R/□□	E	
		60			1.21.6FB1R/□□	E		1.21.6EB1R/□□	E	
-bent anchor standard r 		20			1.21.2F1B1R/□□			1.21.2E1B1R/□□		
		30			1.21.3F1B1R/□□			1.21.3E1B1R/□□		
		40			1.21.4F1B1R/□□			1.21.4E1B1R/□□		
		45			1.21.45F1B1R/□□			1.21.45E1B1R/□□		
		50			1.21.5F1B1R/□□			1.21.5E1B1R/□□		
		60			1.21.6F1B1R/□□			1.21.6E1B1R/□□		
Oblique 90° -hinge 		20			1.21.2FK2		V	1.21.2EK2	V	
		30			1.21.3FK2		V	1.21.3EK2	V	
		40			1.21.4FK2		V	1.21.4EK2	V	
		45			1.21.45FK2		V	1.21.45EK2	V	
		50			1.21.5FK2		V	1.21.5EK2	V	
		60			1.21.6FK2		V	1.21.6EK2	V	
-bent anchor 		20			1.21.2FB2/□□	E		1.21.2EB2/□□	E	
		30			1.21.3FB2/□□	E		1.21.3EB2/□□	E	
		40			1.21.4FB2/□□	E		1.21.4EB2/□□	E	
		45			1.21.45FB2/□□	E		1.21.45EB2/□□	E	
		50			1.21.5FB2/□□	E		1.21.5EB2/□□	E	
		60			1.21.6FB2/□□	E		1.21.6EB2/□□	E	
-bent anchor 90° 		20			1.21.2F2B2/□□			1.21.2E2B2/□□		
		30			1.21.3F2B2/□□			1.21.3E2B2/□□		
		40			1.21.4F2B2/□□			1.21.4E2B2/□□		
		45			1.21.45F2B2/□□			1.21.45E2B2/□□		
		50			1.21.5F2B2/□□			1.21.5E2B2/□□		
		60			1.21.6F2B2/□□			1.21.6E2B2/□□		
Oblique-cross-hinge 		20			1.21.2FK3			1.21.2EK3	V	
		30			1.21.3FK3			1.21.3EK3	V	
		40			1.21.4FK3			1.21.4EK3	V	
		45			1.21.45FK3			1.21.45EK3	V	
		50			1.21.5FK3			1.21.5EK3	V	
		60			1.21.6FK3			1.21.6EK3	V	
90° 		20			1.21.2FK4			1.21.2EK4	V	
		30			1.21.3FK4			1.21.3EK4	V	
		40			1.21.4FK4			1.21.4EK4	V	
		45			1.21.45FK4			1.21.45EK4	V	
		50			1.21.5FK4			1.21.5EK4	V	
		60			1.21.6FK4			1.21.6EK4	V	

Connection / Connector	Finished dimension	PG	Article-No. for connector with									
			H-head		F-head				E-head			
			steel standard	E	VA	steel standard	E	VA	steel standard	E	VA	
Parallel -square 		20										
		30				1.21.3F5			1.21.3E5			
		40				1.21.4F5			1.21.4E5			
		45				1.21.45F5			1.21.45E5			
		50				1.21.5F5			1.21.5E5			
		60				1.21.6F5			1.21.6E5			
-square 90° 		20										
		30							1.21.3E2-5			
		40										
		45										
		50										
		60										
-cross 		20				1.21.2/3F5			1.21.2/3E5			
		30				1.21.3/5F5			1.21.3/5E5			
		40										
		45										
		50										
		60										
-high 		20										
		30				1.21.3/2F5			1.21.3/2E5			
		40										
		45										
		50				1.21.5/3F5			1.21.5/3E5			
		60										
-high 90° 		20										
		30										
		40										
		45										
		50								1.21.5/3E2-5		
		60										

Connection / Connector	Finished dimension	PG, K×2	Article-No. for connector			PG, K×2	Article-No. for connector		
			steel standard	E	VA		steel standard	E	VA
Extension 		20	1.21.2V0		V				
		30	1.21.3V0		V				
		40	1.21.4V0		V				
		45	1.21.45V0		V				
		50	1.21.5V0		V				
		60	1.21.6V0		V				
		30/20	1.21.3/2V0		V	60/20	1.21.6/2V0	V	
		40/20	1.21.4/2V0		V	30	1.21.6/3V0	V	
		30	1.21.4/3V0		V	40	1.21.6/4V0	V	
		45/20	1.21.45/2V0		V	45	1.21.6/45V0	V	
		30	1.21.45/3V0		V	50	1.21.6/5V0	V	
		40	1.21.45/4V0		V				
		50/20	1.21.5/2V0		V				
		30	1.21.5/3V0		V				
		40	1.21.5/4V0		V				
		45	1.21.5/45V0		V				

E = ground-connector, VA = stainless steel 1.4305

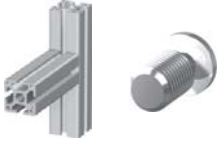
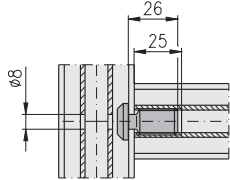

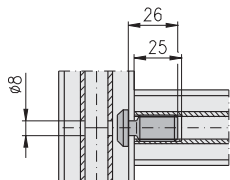
Connection / Connector	Finished dimension	PG	Article-No. for connector	
			steel standard	VA
Miter -hinge l + r 		20	1.21.2G1	V
		30	1.21.3G1	V
		40	1.21.4G1	V
		45	1.21.45G1	V
		50	1.21.5G1	V
		60	1.21.6G1	V
-bent anchor l + r 		20	1.21.2GB1/□□	
		30	1.21.3GB1/□□	
		40	1.21.4GB1/□□	
		45	1.21.45GB1/□□	
		50	1.21.5GB1/□□	
		60	1.21.6GB1/□□	
Miter 90° -hinge l + r 		20	1.21.2G2	V
		30	1.21.3G2	V
		40	1.21.4G2	V
		45	1.21.45G2	V
		50	1.21.5G2	V
		60	1.21.6G2	V
-bent anchor l 		20	1.21.2GB2L/□□	
		30	1.21.3GB2L/□□	
		40	1.21.4GB2L/□□	
		45	1.21.45GB2L/□□	
		50		
		60		
		20		
		30		
		40		
		45		
		50	1.21.5GB2L/□□	
		60	1.21.6GB2L/□□	
-bent anchor r 		20	1.21.2GB2R/□□	
		30	1.21.3GB2R/□□	
		40	1.21.4GB2R/□□	
		45	1.21.45GB2R/□□	
		50	1.21.5GB2R/□□	
		60	1.21.6GB2R/□□	
Shifter 		20	1.21.2GS	
		30	1.21.3GS	
		40	1.21.4GS	
		45	1.21.45GS	
		50	1.21.5GS	
		60	1.21.6GS	

Connection variants with screw-type connectors		
Profile with profile	Profile to plate with thread	Profile to plate with through-hole

Mounting instruction for screw-type connectors
1. Screw anchor in until it stops against the shoulder
2. Unscrew anchor until it lines-up with the cross bushing position (max. one turn)
3. Set up profile with cross bushing

Connection / Connector	Finished dimension	PG	thread	Article-No. for connectors for mounting on profiles with						
				F-slot		E-slot		other		
				Length of thread						
7 mm		11 mm		40 mm						
steel standard	E	VA	steel standard	E	VA	steel standard	E	VA		
Screw-type - front sided 		20	M6				1.21.2S1M6/11			
		30					1.21.3S1M6/11			
		40					1.21.4S1M6/11			
		45					1.21.45S1M6/11			
		50					1.21.5S1M6/11			
		60					1.21.6S1M6/11			
	20	M8		1.21.20S1M8/7		1.21.2S1M8/11		V		
				1.21.30S1M8/7		1.21.3S1M8/11		V		
				1.21.40S1M8/7		1.21.4S1M8/11		V		
				1.21.45S1M8/7		1.21.45S1M8/11		V		
				1.21.50S1M8/7		1.21.5S1M8/11		V		
				1.21.60S1M8/7		1.21.6S1M8/11		V		
	30	M8						1.21.2S1M8/40		
								1.21.3S1M8/40		
								1.21.4S1M8/40		
								1.21.45S1M8/40		
								1.21.5S1M8/40		
								1.21.6S1M8/40		
Screw-type - parallel -square 		20	M8				1.21.2S5M8/11			
		30		1.21.3S5M8/7		1.21.3S5M8/11				
		40		1.21.4S5M8/7		1.21.4S5M8/11				
		45				1.21.45S5M8/11				
		50				1.21.5S5M8/11				
		60				1.21.6S5M8/11				
-cross 		20	M8				1.21.2/3S5M8/11			
		30					1.21.3/5S5M8/11			
		40								
-high 		20	M8							
		30					1.21.3/2S5M8/11			
		45								
		50					1.21.5/3S5M8/11			

E = ground-connector, VA = stainless steel 1.4305

Connection/ Connector	Finished dimension	Article-No. for connector with						
		H-head		F-head		E-head		
		steel standard	E	VA	steel standard	E	VA	
Connector screw 					1.21.VSFM14		1.21.VSEM14	
-self-cutting 					1.21.VSFS126S		1.21.VSES126S	
					1.21.VSFS128L		1.21.VSES128L	

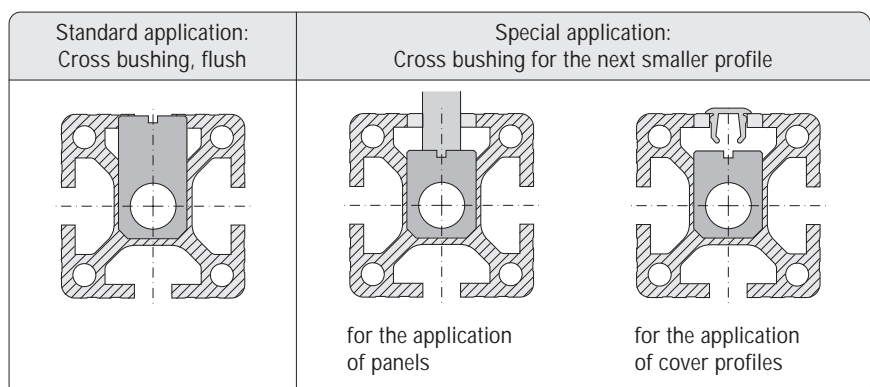
Slot type	Cross bushing	Chamfer	Profile	PG	core hole distance K	Boring depth, Cross bushing length T	Article-No.	
							steel	VA
H-slots								
	0,5x45°	Standard		20	10	14	1.20.B21	V
							1.20.B22	
	1,5x45°		1.10.020020.21SP					
F + E-slots								
	2x45°	Standard		20	10	17	1.21.B20	V
				30	15	22	1.21.B30	V
				40	20	27	1.21.B40	V
				40	20	27	1.21.B40R	
				45	22.5	29.5	1.21.B45	V
				50	25	32	1.21.B50	V
				60	30	37	1.21.B60	V
	4x45°		1.11.030100.74SP	20	10	17	1.21.B24	
			1.11.030030.21S(P)	30	15	22	1.21.B34	
			1.11.030150.84SP	40	20	27	1.21.B44	
			1.11.040040.28LP					

tools ↗ 1.99, VA = stainless steel 1.4305

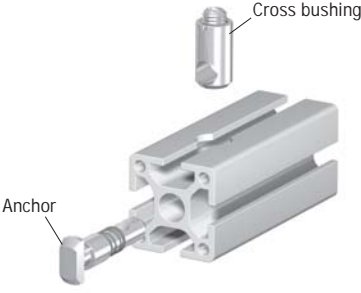
Slot type Connector	Cross bushing	PG/ Profile/ Slot	Core hole distance K	Boring depth, Cross bushing length T	Article-No.	
					steel	VA
E-slots						
Special- universal-connector for profile 30×150 ↗ 110		30×150	15	30	1.21.B31	
Special- SE-Connector ↗ 113		16, E3	-	15	1.21.BE3	
		E4	-	16	1.21.BE4	
Special- ST-Connector ↗ 114		E	-	19	1.21.STBM6	
Special- ST-Connector with screw-type anchor ↗ 115		16, E3	-	40	1.21.STSB40	

tools ↗ 1.99, VA = stainless steel 1.4305

Mounting variants








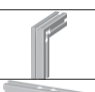









Connector components



As an alternative to the complete connector it is also possible to order the component parts.
Because of the extensive combination possibilities, storage of the complete connectors will be reduced by over 80%.

Connector components for profiles with
core hole-Ø 6 mm → 105
core hole-Ø 12 mm → 106-109
















Connector for core hole-Ø 6 mm			Connector complete			Single parts				
			PG 20			Anchor		Piece		
			steel standard	E	VA	steel standard	E	VA		
		Universal	1.20.2H0		V	1.20.A2H0		V	1	1
			1.20.2F0			1.20.A2F0			1	1
			1.20.2E0			1.20.A2E0			1	1
		Oblique -hinge l + r	1.20.2HK1			1.20.A2HK1			1	1
			1.20.2FK1			1.20.A2FK1			1	1
		90° -hinge	1.20.2HK2			1.20.A2HK2			1	1
			1.20.2FK2			1.20.A2FK2			1	1
		Parallel -square ¹⁾	1.20.2H0		V					
			1.20.2F0							
			1.20.2E0							
		-cross ¹⁾	1.20.2H0		V					
			1.20.2F0							
			1.20.2E0							
		-high ¹⁾	1.20.2H0		V					
			1.20.2F0							
			1.20.2E0							
		Miter -hinge l + r	1.20.2G1			1.20.A2G1			1	2
		90° -hinge l + r	1.20.2G2			1.20.A2G2			1	2
		Extension	1.20.2V0		V	1.20.A2V0		V	1	2
		Screw-type	1.20.2S2M4/7		V	1.20.A2S2M4/7		V	1	1
			1.20.2S2M5/7			1.20.A2S2M5/7			1	1
			1.20.2S2M6/7			1.20.A2S2M6/7			1	1
		-Parallel-square ²⁾	1.20.2S2M4/7		V					
			1.20.2S2M5/7							
			1.20.2S2M6/7							
		-Parallel-cross ²⁾	1.20.2S2M4/7		V					
			1.20.2S2M5/7							
			1.20.2S2M6/7							
		-Parallel-high ²⁾	1.20.2S2M4/7		V					
			1.20.2S2M5/7							
			1.20.2S2M6/7							

	Cross bushing, steel	1.20.B21		<i>Cross bushing, steel</i>
	Cross bushing, VA	1.20.B21	V	<i>Cross bushing, VA</i>

E = ground-connector, VA = stainless steel 1.4305

¹⁾ = Connector, universal

²⁾ = Connector, screw-type

Connector for core hole-Ø 12 mm			Connectors, complete							
			PG 20		PG 30		PG 40			
			steel standard	E VA	steel standard	E VA	steel standard	E VA		
		Universal	1.21.2H0		1.21.3H0		1.21.4H0			
			1.21.2F0	E V	1.21.3F0	E V	1.21.4F0	E V		
			1.21.2E0	E V	1.21.3E0	E V	1.21.4E0	E V		
		Standard	1.21.2F1	E V	1.21.3F1	E V	1.21.4F1	E V		
			1.21.2E1	E V	1.21.3E1	E V	1.21.4E1	E V		
		90°	1.21.2F2	E V	1.21.3F2	E V	1.21.4F2	E V		
			1.21.2E2	E V	1.21.3E2	E V	1.21.4E2	E V		
		Square head Universal	1.21.20E40		1.21.30E40		1.21.40E40			
		Standard	1.21.20F41		1.21.30F41		1.21.40F41			
		90°	1.21.20F42		1.21.30F42		1.21.40F42			
		Oblique -hinge l + r	1.21.2FK1		1.21.3FK1		1.21.4FK1			
			1.21.2EK1		1.21.3EK1		1.21.4EK1			
		-bent anchor l	1.21.2FB1L/□□	E	1.21.3FB1L/□□	E	1.21.4FB1L/□□	E		
			1.21.2EB1L/□□	E	1.21.3EB1L/□□	E	1.21.4EB1L/□□	E		
		-bent a. standard l	1.21.2F1B1L/□□		1.21.3F1B1L/□□		1.21.4F1B1L/□□			
			1.21.2E1B1L/□□		1.21.3E1B1L/□□		1.21.4E1B1L/□□			
		-bent anchor r	1.21.2FB1R/□□	E	1.21.3FB1R/□□	E	1.21.4FB1R/□□	E		
			1.21.2EB1R/□□	E	1.21.3EB1R/□□	E	1.21.4EB1R/□□	E		
		-bent a. standard r	1.21.2F1B1R/□□		1.21.3F1B1R/□□		1.21.4F1B1R/□□			
			1.21.2E1B1R/□□		1.21.3E1B1R/□□		1.21.4E1B1R/□□			
		90°		-hinge	1.21.2FK2		1.21.3FK2		1.21.4FK2	
					1.21.2EK2		1.21.3EK2		1.21.4EK2	
-bent anchor	1.21.2FB2/□□			E	1.21.3FB2/□□	E	1.21.4FB2/□□	E		
		1.21.2EB2/□□	E	1.21.3EB2/□□	E	1.21.4EB2/□□	E			
		-bent anchor 90°	1.21.2F2B2/□□		1.21.3F2B2/□□		1.21.4F2B2/□□			
			1.21.2E2B2/□□		1.21.3E2B2/□□		1.21.4E2B2/□□			
		Oblique-cross	-hinge	1.21.2FK3		1.21.3FK3		1.21.4FK3		
				1.21.2EK3		1.21.3EK3		1.21.4EK3		
			-hinge 90°	1.21.2FK4		1.21.3FK4		1.21.4FK4		
				1.21.2EK4		1.21.3EK4		1.21.4EK4		
		Parallel -square			1.21.3/2F5 ²⁾					
					1.21.3/2E5 ²⁾					
				1.21.2/3F5 ¹⁾		1.21.3F5				
				1.21.2/3E5 ¹⁾		1.21.3E5				
				-square 90°		1.21.3E2-5				
				-cross ¹⁾				1.21.4F5		
								1.21.4E5		
		-high ²⁾			1.21.3/5F5 ¹⁾					
					1.21.3/5E5 ¹⁾					
				-high 90°						


	Cross bushing, steel	1.21.B20		1.21.B30		1.21.B40		
	Cross bushing, VA		1.21.B20	V	1.21.B30	V	1.21.B40	V

E = ground connector, VA = stainless steel 1.4305

PG 45						PG 50						PG 60						Single parts			
steel standard		VA	steel standard		VA	steel standard		VA	steel standard		VA	Anchor		steel standard		VA	Piece				
1.21.45H0			1.21.50H0			1.21.60H0			1.21.A1H0								1 1				
1.21.45F0	E	V	1.21.5F0	E	V	1.21.6F0	E	V	1.21.A1F0	E	V						1 1				
1.21.45E0	E	V	1.21.5E0	E	V	1.21.6E0	E	V	1.21.A1E0	E	V						1 1				
1.21.45F1	E	V	1.21.5F1	E	V	1.21.6F1	E	V	1.21.A1F1	E	V						1 1				
1.21.45E1	E	V	1.21.5E1	E	V	1.21.6E1	E	V	1.21.A1E1	E	V						1 1				
1.21.45F2	E	V	1.21.5F2	E	V	1.21.6F2	E	V	1.21.A1F2	E	V						1 1				
1.21.45E2	E	V	1.21.5E2	E	V	1.21.6E2	E	V	1.21.A1E2	E	V						1 1				
1.21.45E40			1.21.50E40			1.21.60E40			1.21.A1E40								1 1				
1.21.45F41			1.21.50F41			1.21.60F41			1.21.A1F41								1 1				
1.21.45F42			1.21.50F42			1.21.60F42			1.21.A1F42								1 1				
1.21.45FK1		V	1.21.5FK1		V	1.21.6FK1		V	1.21.A1FK1		V						1 1				
1.21.45EK1		V	1.21.5EK1		V	1.21.6EK1		V	1.21.A1EK1		V						1 1				
1.21.45FB1L/□□	E		1.21.5FB1L/□□	E		1.21.6FB1L/□□	E		1.21.A1FB1L/□□	E							1 1				
1.21.45EB1L/□□	E		1.21.5EB1L/□□	E		1.21.6EB1L/□□	E		1.21.A1EB1L/□□	E							1 1				
1.21.45F1B1L/□□			1.21.5F1B1L/□□			1.21.6F1B1L/□□			1.21.A1F1B1L/□□								1 1				
1.21.45E1B1L/□□			1.21.5E1B1L/□□			1.21.6E1B1L/□□			1.21.A1E1B1L/□□								1 1				
1.21.45FB1R/□□	E		1.21.5FB1R/□□	E		1.21.6FB1R/□□	E		1.21.A1FB1R/□□	E							1 1				
1.21.45EB1R/□□	E		1.21.5EB1R/□□	E		1.21.6EB1R/□□	E		1.21.A1EB1R/□□	E							1 1				
1.21.45F1B1R/□□			1.21.5F1B1R/□□			1.21.6F1B1R/□□			1.21.A1F1B1R/□□								1 1				
1.21.45E1B1R/□□			1.21.5E1B1R/□□			1.21.6E1B1R/□□			1.21.A1E1B1R/□□								1 1				
1.21.45FK2		V	1.21.5FK2		V	1.21.6FK2		V	1.21.A1FK2		V						1 1				
1.21.45EK2		V	1.21.5EK2		V	1.21.6EK2		V	1.21.A1EK2		V						1 1				
1.21.45FB2/□□	E		1.21.5FB2/□□	E		1.21.6FB2/□□	E		1.21.A1FB2/□□	E							1 1				
1.21.45EB2/□□	E		1.21.5EB2/□□	E		1.21.6EB2/□□	E		1.21.A1EB2/□□	E							1 1				
1.21.45F2B2/□□			1.21.5F2B2/□□			1.21.6F2B2/□□			1.21.A1F2B2/□□								1 1				
1.21.45E2B2/□□			1.21.5E2B2/□□			1.21.6E2B2/□□			1.21.A1E2B2/□□								1 1				
1.21.45FK3			1.21.5FK3			1.21.6FK3			1.21.A1FK3								1 1				
1.21.45EK3		V	1.21.5EK3		V	1.21.6EK3		V	1.21.A1EK3		V						1 1				
1.21.45FK4			1.21.5FK4			1.21.6FK4			1.21.A1FK4								1 1				
1.21.45EK4		V	1.21.5EK4		V	1.21.6EK4		V	1.21.A1EK4		V						1 1				
									1.21.A2F5								1 1				
									1.21.A2E5								1 1				
			1.21.5/3F5 ²⁾						1.21.A3F5								1 1				
			1.21.5/3E5 ²⁾						1.21.A3E5								1 1				
									1.21.A3E2-5								1 1				
									1.21.A4F5								1 1				
									1.21.A4E5								1 1				
1.21.45F5									1.21.A45F5								1 1				
1.21.45E5									1.21.A45E5								1 1				
			1.21.5F5						1.21.A5F5								1 1				
			1.21.5E5						1.21.A5E5								1 1				
						1.21.6F5			1.21.A6F5								1 1				
						1.21.6E5			1.21.A6E5								1 1				
			1.21.5/3E2-5						1.21.A3E2-5								1 1				
1.21.B45			1.21.B50			1.21.B60			<i>Cross bushing, steel</i>												
1.21.B45	V		1.21.B50	V		1.21.B60	V		<i>Cross bushing, VA</i>												


Single parts

Anchor




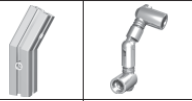
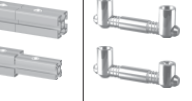
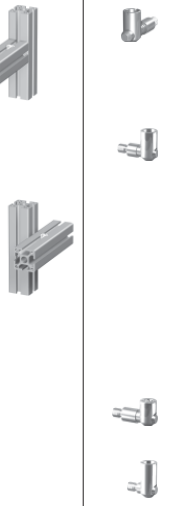
Base with spring



Cross bushing









Base with setscrew

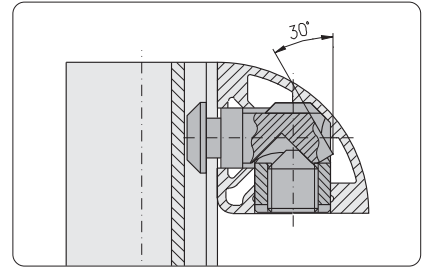
2

Connector for core hole-Ø 12 mm				Connectors, complete								
				PG 20		PG 30		PG 40				
				steel standard	E	VA	steel standard	E	VA	steel standard	E	VA
	Miter	-hinge l + r	1.21.2G1		V	1.21.3G1		V	1.21.4G1		V	
		-bent anchor l + r	1.21.2GB1/□□			1.21.3GB1/□□			1.21.4GB1/□□			
	90°	-hinge l + r	1.21.2G2		V	1.21.3G2		V	1.21.4G2		V	
		-bent anchor l	1.21.2GB2L/□□			1.21.3GB2L/□□			1.21.4GB2L/□□			
		-bent anchor r	1.21.2GB2R/□□			1.21.3GB2R/□□			1.21.4GB2R/□□			
	Shifter		1.21.2GS			1.21.3GS			1.21.4GS			
	Extension		1.21.2V0		V	1.21.3V0		V	1.21.4V0		V	
						1.21.3/2V0		V	1.21.4/2V0 1.21.4/3V0		V V	
	Screw-type	-front sided	1.21.2S1M6/11 1.21.20S1M8/7 1.21.2S1M8/11 1.21.2S1M8/40		V	1.21.3S1M6/11 1.21.30S1M8/7 1.21.3S1M8/11 1.21.3S1M8/40		V	1.21.4S1M6/11 1.21.40S1M8/7 1.21.4S1M8/11 1.21.4S1M8/40		V	
			-Parallel-square	1.21.2S5M8/11			1.21.3S5M8/7 1.21.3S5M8/11			1.21.4S5M8/7 1.21.4S5M8/11		
			-Parallel-cross	1.21.2/3S5M8/11			1.21.3/5S5M8/11					
			-Parallel-high				1.21.3/2S5M8/11					

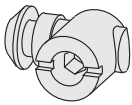
	Cross bushing, steel	1.21.B20			1.21.B30			1.21.B40		
	Cross bushing, VA		1.21.B20	V		1.21.B30	V		1.21.B40	V

						Single parts			1.21.B20	1.21.B30	1.21.B40	1.21.B45	1.21.B50
PG 45		PG 50		PG 60		Anchor		Piece					
steel standard	E	VA steel standard	E	VA steel standard	E	VA steel standard	E						
1.21.45G1	V	1.21.5G1	V	1.21.6G1	V	1.21.A1G1	V	1	2				
1.21.45GB1/□□		1.21.5GB1/□□		1.21.6GB1/□□		1.21.A1GB1/□□		1	2				
1.21.45G2	V	1.21.5G2	V	1.21.6G2	V	1.21.A1G2	V	1	2				
1.21.45GB2L/□□						1.21.A1GB2L/□□		1	2				
		1.21.5GB2L/□□		1.21.6GB2L/□□		1.21.A1GB245L/□□		1	2				
1.21.45GB2R/□□		1.21.5GB2R/□□		1.21.6GB2R/□□		1.21.A1GB2R/□□		1	2				
1.21.45GS		1.21.5GS		1.21.6GS		1.21.A1GS		1	2				
1.21.45V0	V	1.21.5V0	V	1.21.6V0	V	1.21.A1V0	V	1	2	-	-	-	-
1.21.45/2V0	V	1.21.5/2V0	V	1.21.6/2V0	V	1.21.A1V0	V	1	1	1	-	-	-
1.21.45/3V0	V	1.21.5/3V0	V	1.21.6/3V0	V	1.21.A1V0	V	1	1	-	1	-	-
1.21.45/4V0	V	1.21.5/4V0	V	1.21.6/4V0	V	1.21.A1V0	V	1	1	-	-	1	-
		1.21.5/45V0	V	1.21.6/45V0	V	1.21.A1V0	V	1	1	-	-	-	1
				1.21.6/5V0	V	1.21.A1V0	V	1	1	-	-	-	1
1.21.45S1M6/11		1.21.5S1M6/11		1.21.6S1M6/11		1.21.A1SM6/11		1	1				
1.21.45S1M8/7		1.21.5S1M8/7		1.21.6S1M8/7		1.21.A1SM8/7		1	1				
1.21.45S1M8/11	V	1.21.5S1M8/11	V	1.21.6S1M8/11	V	1.21.A1SM8/11	V	1	1				
1.21.45S1M8/40		1.21.5S1M8/40		1.21.6S1M8/40		1.21.A1SM8/40		1	1				
						1.21.A2SM8/11		1	1				
						1.21.A3SM8/7		1	1				
						1.21.A3SM8/11		1	1				
						1.21.A4SM8/7		1	1				
1.21.45S5M8/11						1.21.A4SM8/11		1	1				
						1.21.A45SM8/11		1	1				
		1.21.5S5M8/11				1.21.A5SM8/11		1	1				
				1.21.6S5M8/11		1.21.A6SM8/11		1	1				
						1.21.A3SM8/11		1	1				
						1.21.A5SM8/11		1	1				
						1.21.A2SM8/11		1	1				
		1.21.5/3S5M8/11				1.21.A3SM8/11		1	1				
1.21.B45		1.21.B50		1.21.B60		<i>Cross bushing, steel</i>							
1.21.B45	V	1.21.B50	V	1.21.B60	V	<i>Cross bushing, VA</i>							



**Parallel connector
for profile 30×30, soft**

Application

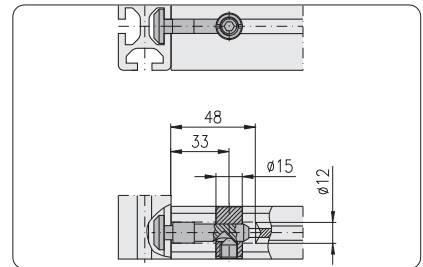
Special anchor for parallel connector for profile 30×30, 2 F-slots, soft


Description

Description	Weight	Article-No.
Connector, parallel	40 g	1.21.31E5
Connector, parallel	33 g	1.21.31F5

Single parts

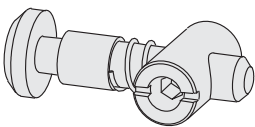
Description	Weight	Article-No.
Anchor, incl. spring	23 g	1.21.A31E5
Anchor, incl. spring	16 g	1.21.A31F5
Cross bushing, incl. setscrew	17 g	1.21.B34

**Universal connector
for profile 30×150**


Drill dimensions

Application

Universal connector for connection of two profiles 30×150
Alternative connection possibility
→ *ST-Connector, 114*

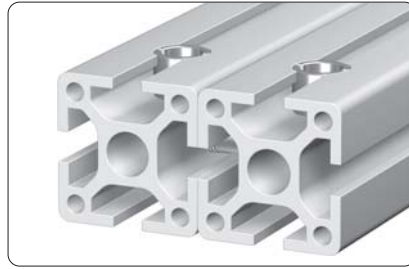

Description

Description	Weight	Article-No.
Connector, universal	68 g	1.21.31E0

Single parts

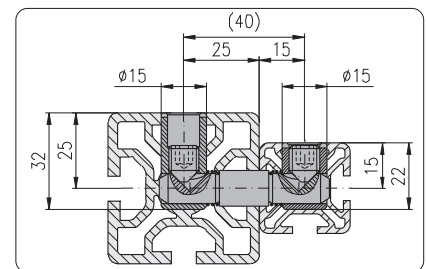
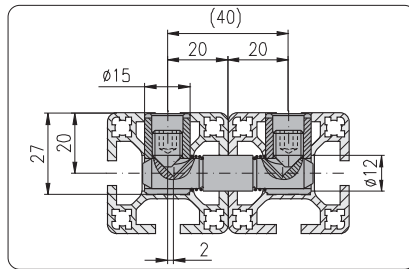
Description	Weight	Article-No.
Anchor, incl. spring	41 g	1.21.A1E0
Cross bushing, incl. setscrew	27 g	1.21.B31

Extension / parallel connector

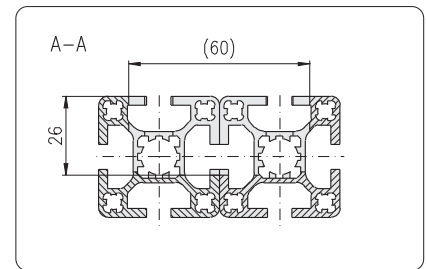


Application

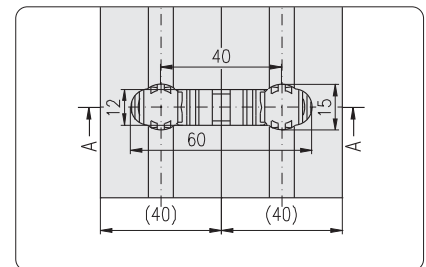
- Parallel connections with core hole distance of 40 mm
- Profile extensions



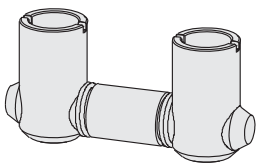
Insert front-sided



Profile machining



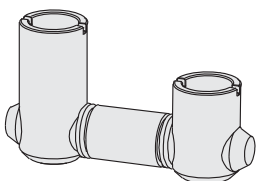
Profile machining



Description	Weight	Article-No.
Connector extension / parallel	76 g	1.21.40V040

Single parts

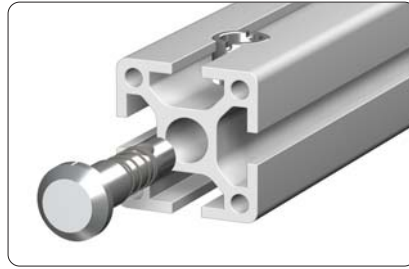
Description	Pcs	Weight	Article-No.
Anchor for connector extension / parallel, incl. springs	1	36 g	1.21.A1V040
Cross bushing B40, incl. setscrew	2	20 g	1.21.B40

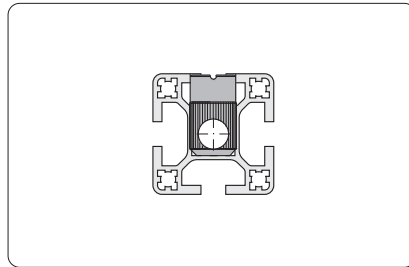


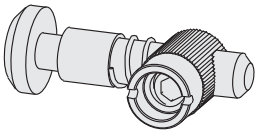
Description	Weight	Article-No.
Connector extension / parallel	76 g	1.21.50/30V040

Single parts

Description	Pcs	Weight	Article-No.
Anchor for connector extension / parallel, incl. springs	1	36 g	1.21.A1V040
Cross bushing B50, incl. setscrew	1	25 g	1.21.B50
Cross bushing B30, incl. setscrew	1	15 g	1.21.B30

**Universal connector
with knurled cross bushing**

Application

 Fixable cross bushing
 Press in device ↗ 1.98

Comments

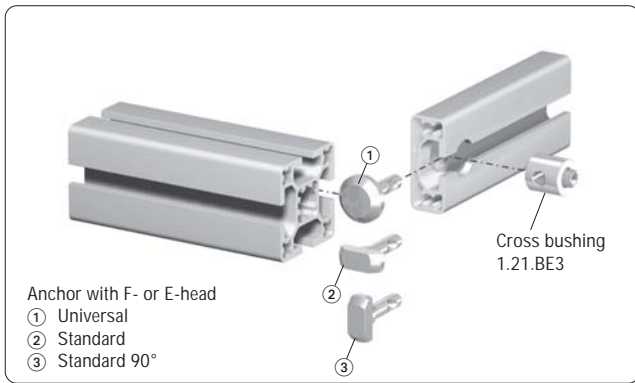
 The knurled cross bushing is suitable for all connectors with the cross bushing 1.21.B40
 ↗ Connector components, 1.2C


Description	Weight	Article-No.
Connector, universal with knurled cross bushing	60 g	1.21.40RE0

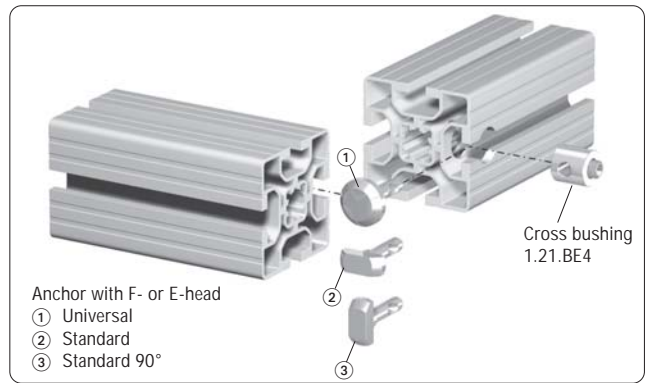
Single parts

Description	Pcs	Weight	Article-No.
Anchor, incl. spring	1	40 g	1.21.A1E0
Cross bushing B40, knurled, incl. setscrew	1	20 g	1.21.B40R

SE-Connector



for profiles with E3-slot, PG16, E



for profiles with E4-slot

Application

- for PG 16 E
- allows mounting of additional profiles into existing frames

Boring depth T	
mounting in	T
E3-slot	15 mm
E4-slot	16 mm

Drill distance L	
mounting on	L
F-slot	16 mm
E3-slot	15 mm
E4-slot	14 mm

Connection		Connection		Connector	Article-No. for SE-connector			
Profile PG16, E3-slot to F/E-slot		Profile with E4-slot to F/E-slot			mounting in E3-slot		mounting in E4-slot	
					steel	VA	steel	VA
					standard	E	standard	E
Universal		Universal			1.21.SE3F0		1.21.SE4F0	
					1.21.SE3E0		1.21.SE4E0	
Standard		Standard			1.21.SE3F1		1.21.SE4F1	
					1.21.SE3E1		1.21.SE4E1	
90°		90°			1.21.SE3F2		1.21.SE4F2	
					1.21.SE3E2		1.21.SE4E2	

Connectors for E3/E4-slot			Connectors, complete					Single parts			
			mounting in E3-slot			mounting in E4-slot			Anchor		
			steel	VA	steel	VA	steel	VA	Piece		
			standard	E	standard	E	standard	E			
		Universal	1.21.SE3F0		1.21.SE4F0		1.21.ASEF0			1	1
			1.21.SE3E0		1.21.SE4E0		1.21.ASEE0			1	1
		Standard	1.21.SE3F1		1.21.SE4F1		1.21.ASEF1			1	1
			1.21.SE3E1		1.21.SE4E1		1.21.ASEE1			1	1
		90°	1.21.SE3F2		1.21.SE4F2		1.21.ASEF2			1	1
			1.21.SE3E2		1.21.SE4E2		1.21.ASEE2			1	1
	Cross bushing		1.21.BE3			1.21.BE4					

E = ground-connector, VA = stainless steel 1.4305

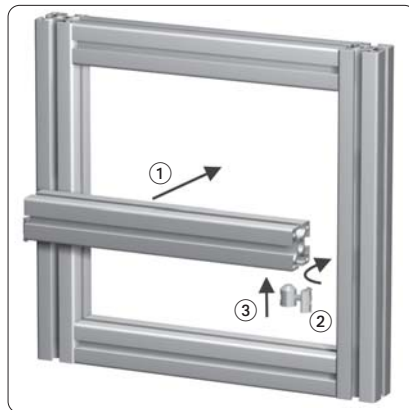


ST-Connector



Application

Connector for mounting into E-slot and for connection of profiles 30x150
 Alternative connection possibility
 ⇨ *Universal connector, 110*

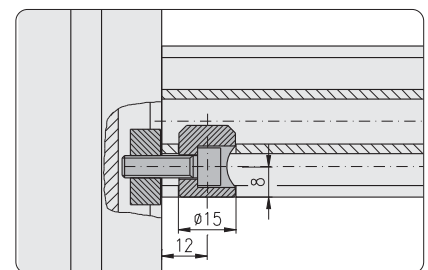
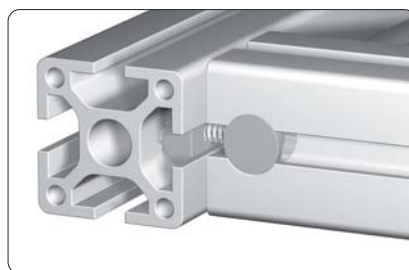
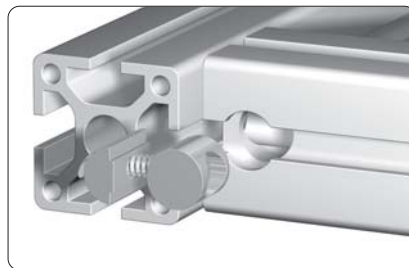


Application

ST-Connector for later insertion of profiles into closed frames

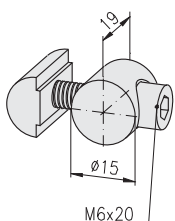
Assembly

- ① push the profile into the frame
- ② insert and rotate the T-Nut, pretension the screw (and cross bushing)
- ③ push the connector into the cross bushing bore, tighten the screw



Technical data

material: steel
 surface: galvanised
 torque: max. 14 Nm
 tensile load: max. 5,000 N



Connector complete

Description	G	Weight	Article-No.
ST-Connector	M6	32.0 g	1.21.STEM620

Single parts

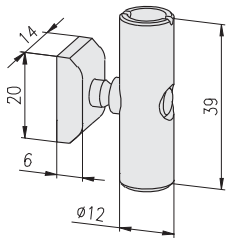
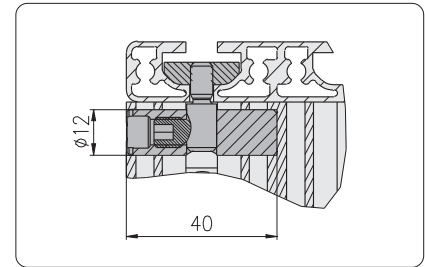
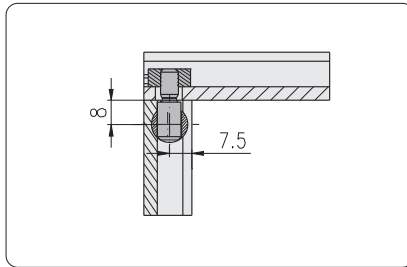
ST-Cross bushing	M6	16.7 g	1.21.STBM6
T-Nut for subsequent insertion into E-slots	M6	10.0 g	1.32.4EM6
Cap head screw DIN 912	M6x20	5.3 g	1.21.S0620

**ST-Connector
with anchor, screw-type**



Application

ST-Connection for PG 16, E3-slot
Eco-Slide ↗ 1.67



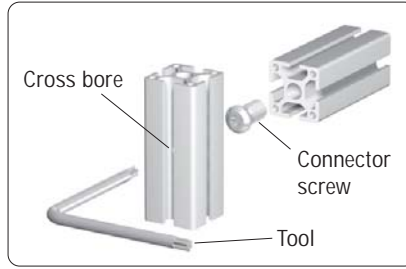
Connector complete

Description	G	Weight	Article-No.
ST-Connector with anchor, screw-type	M6	43.8 g	1.21.STESM6/11

Single parts

ST-Cross bushing		25.4 g	1.21.STSB40
Threaded plate, heavy, E	M6	12.4 g	1.31.7EM6
Anchor, screw-type, for ST-Connector	M6×11	6.0 g	1.21.ASTM6/11

Connector screw self-cutting



Application

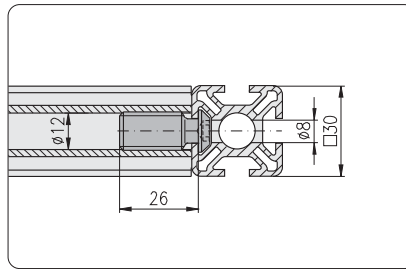
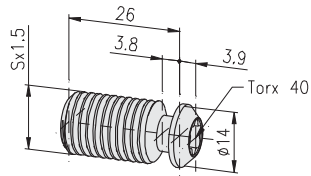
Simple connections with profiles using a 12 mm core hole

Technical data

material: steel 8.8
surface: galvanised

Tool

Tx screw driver for Torx 40 screws
1.98.T40.090090



Description

S

Weight

Article-No.

Connector screw, self-cutting, F, S12.8, light

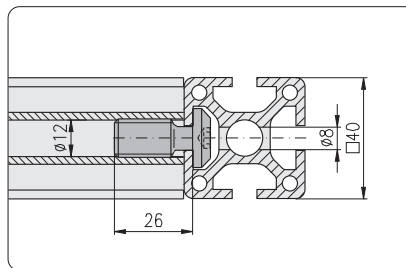
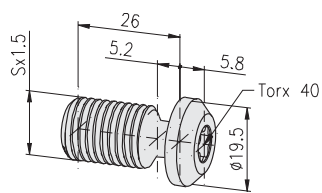
25.0 g

1.21.VSFS128L

Connector screw, self-cutting, F, S12.6, heavy

25.0 g

1.21.VSFS126S



Description

S

Weight

Article-No.

Connector screw, self-cutting, E, S12.8, light

31.5 g

1.21.VSES128L

Connector screw, self-cutting, E, S12.6, heavy

31.5 g

1.21.VSES126S

**Connector kits
Standard**



Application

- quick assembly
- connection without profile machining

Assembly



Screw the self tapping connector into the profile core hole. Locate the anti-rotation bracket into the corresponding holes in the profile to secure the joint.



fasten the connector screw



pre-mount the anchor and move the profile into position



fasten the setscrew

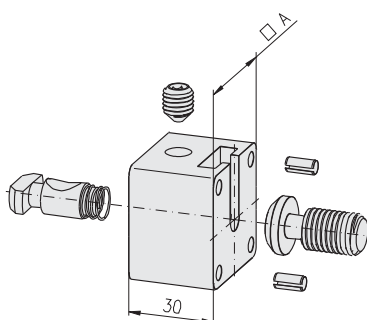
Technical data

Connecting block:

- material: aluminium
- strength: F22
- surface: natural anodised

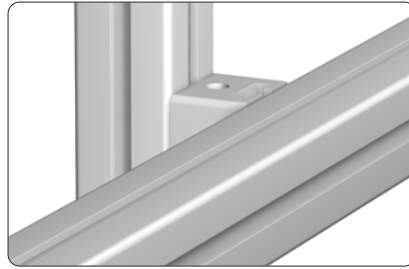
Connector screw, anchor, setscrew:

- material: steel
- surface: galvanised



Description	A	Weight	Article-No.
Connector kit 30×30, standard, F, M14	30	96 g	1.24.030030.F1EM14
Connector kit 40×40, standard, E, M14	40	162 g	1.24.040040.E1EM14

Connector kits
Parallel



Application

- quick assembly
- connection without profile machining

Assembly



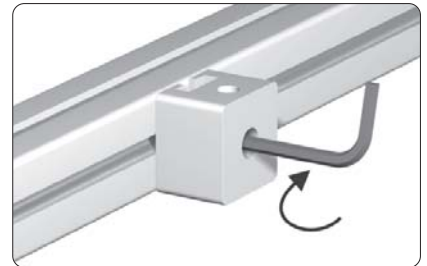
insert the T-Nut



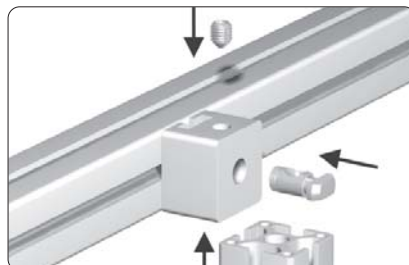
tighten the screw



attach the connecting block



fasten the screw



pre-mount the anchor and move the profile into position



fasten the setscrew

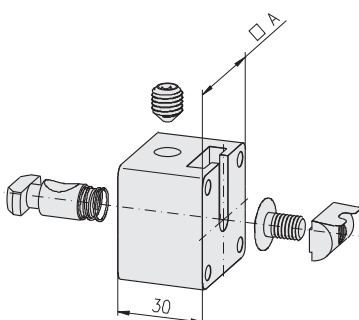
Technical data

Connecting block:

- material: aluminium
- strength: F22
- surface: natural anodised

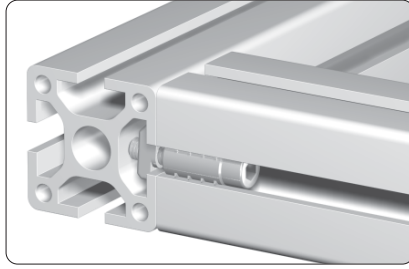
T-Nut, screw, anchor, setscrew:

- material: steel
- surface: galvanised



Description	A	Weight	Article-No.
Connector kit 30×30, parallel, F, M8	30	85 g	1.24.030030.F5EM08
Connector kit 40×40, parallel, E, M8	40	147 g	1.24.040040.E5EM08

Bayonet type connector



Application

Connection without profile machining.
Suitable for the connection of profiles with E-slots to profiles with E- or F-slots.



Application

Suitable for the subsequent mounting of profiles

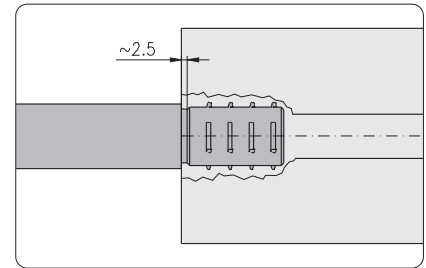
Mounting example

for bayonet type connector with T-slot nut

Pre-assembly of the notching case



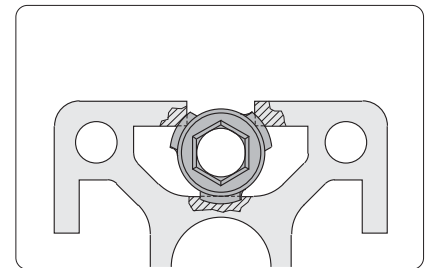
insert the cap head screw and the notching case into the slot



positioning with socket pin



tighten the notching case (approx. 45° anti-clockwise turn)



end position of the notching case

Final assembly



pre-mounting of the T-slot nut



pre-mounting of the T-slot nut



join the profiles and tighten the T-slot nut



final tightening with socket spanner

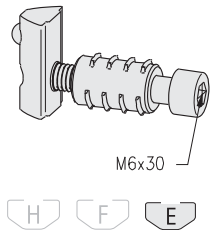


Bayonet type connector

Technical data

- Notching case, cap head screw,
T-Nut, socket pin:
material: steel
surface: galvanised
- T-slot nut:
material: GD-Zn

with T-Nut (spring ball)

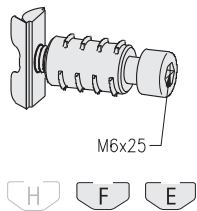


Description	Pcs.	Weight	Article-No.
Bayonet type connector E, with T-Nut (spring ball) E		24.4 g	1.25.E323E

Single parts

Notching case E for bayonet type connector	1	7.5 g	1.25.BE
Cap head screw DIN 912, M6×30	1	8.0 g	0.63.D00912.06030
T-Nut for subs. insertion, with spring ball E, M6	1	9.9 g	1.32.3EM6

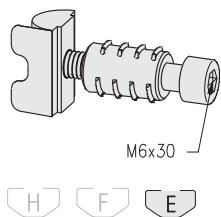
with T-Nut (spring)



Description	Pcs.	Weight	Article-No.
Bayonet type connector E, with T-Nut (spring) F		18.8 g	1.25.E324F

Single parts

Notching case E for bayonet type connector	1	7.5 g	1.25.BE
Cap head screw DIN 912, M6×25	1	7.0 g	0.63.D00912.06025
T-Nut for subs. insertion, with spring F, M6	1	4.3 g	1.32.4FM6

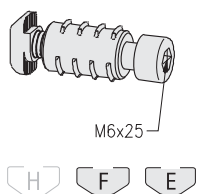


Description	Pcs.	Weight	Article-No.
Bayonet type connector E, with T-Nut (spring) E		25.5 g	1.25.E324E

Single parts

Notching case E for bayonet type connector	1	7.5 g	1.25.BE
Cap head screw DIN 912, M6×30	1	8.0 g	0.63.D00912.06030
T-Nut for subs. insertion, with spring E, M6	1	10.0 g	1.32.4EM6

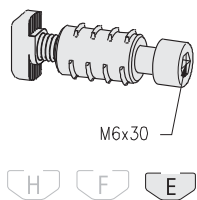
with T-slot nut



Description	Pcs.	Weight	Article-No.
Bayonet type connector E, with T-slot nut F		16.2 g	1.25.E3410F

Single parts

Notching case E for bayonet type connector	1	7.5 g	1.25.BE
Cap head screw DIN 912, M6×25	1	7.0 g	0.63.D00912.06025
T-slot nut F, M6	1	1.7 g	1.34.10FM6

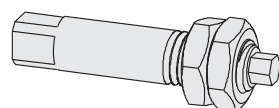


Description	Pcs.	Weight	Article-No.
Bayonet type connector E, with T-slot nut E		18.5 g	1.25.E3410E

Single parts

Notching case E for bayonet type connector	1	7.5 g	1.25.BE
Cap head screw DIN 912, M6×30	1	8.0 g	0.63.D00912.06030
T-slot nut E, M6	1	3.0 g	1.34.10EM6

Socket pin



Description	Weight	Article-No.
Socket pin for notching case E	58.0 g	1.25.WZ1

Cross connector



Application

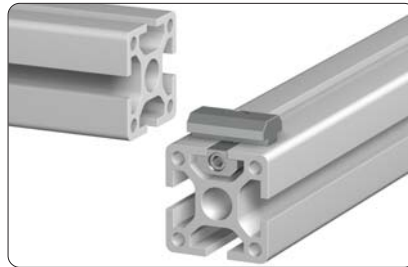
- quick assembly
- connection without profile machining

Technical data

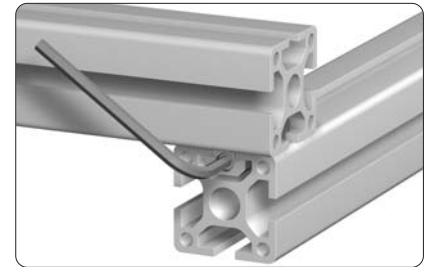
Lower section, upper section, bolt,
screw:

material: steel
surface: galvanised

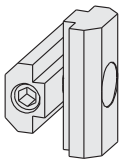
Assembly



push the lower section of the cross connector into the slot of the first profile



slide the slot of the second profile onto the upper section, position the profiles and tighten the connector



Description

Cross connector E3
Cross connector E4

Weight

53.5 g
55.0 g

Article-No.

1.25.41.E3
1.25.41.E4

**Parallel connector
for subsequent insertion**



Application

- quick assembly
- connection without profile machining

Assembly



position the setscrew



insert the T-Nut



insert and pretension the anchor



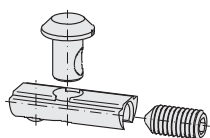
push on and position the profile



fasten the setscrew

Technical data

material: steel
surface: galvanised



Description	Weight	Article-No.
Parallel connector, for subsequent insertion, E3/H	21.7 g	1.25.E3H/5
Parallel connector, for subsequent insertion, E3/F	24.6 g	1.25.E3F/5
Parallel connector, for subsequent insertion, E3/E3	32.6 g	1.25.E3E3/5
Parallel connector, for subsequent insertion, E4/F	25.0 g	1.25.E4F/5
Parallel connector, for subsequent insertion, E4/E3	33.2 g	1.25.E4E3/5
Parallel connector, for subsequent insertion, E4/E4	33.5 g	1.25.E4E4/5

Clamping connector



Application

- quick assembly
- connection without profile machining

Technical data

material: steel
surface: galvanised

Assembly



Fastening element

Threaded insert M14/M8, 30, 1.35.1140830

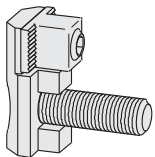
screw the threaded insert M14/M8, 30 into the core hole ↗ *Assembly reference 1.35*



screw the clamping connector into the threaded insert



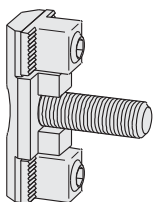
slide the connector into the slot of the second profile, position the profiles and tighten the connector



H F E

Description

Description	Weight	Article-No.
Clamping connector 40E, single sided	34.4 g	1.25.61.40E
Clamping connector 45E, single sided	31.8 g	1.25.61.45E

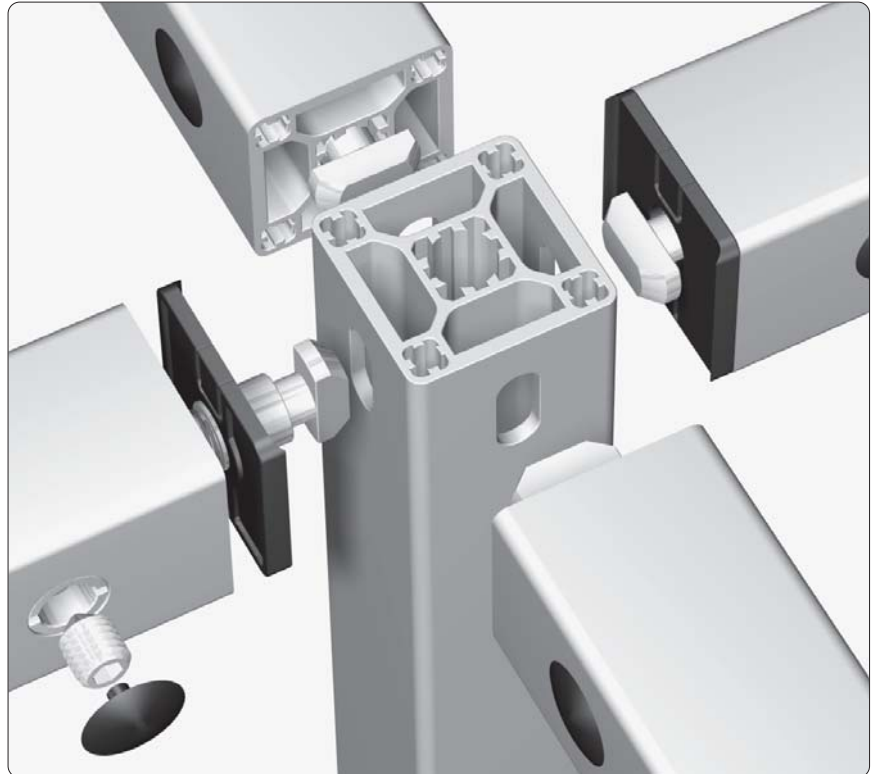


H F E

Description

Description	Weight	Article-No.
Clamping connector 40E, double sided	43.9 g	1.25.62.40E
Clamping connector 45E, double sided	42.3 g	1.25.62.45E

Connection of 0-slot profiles



Comments
Connector ↗ 1.2A

Connector - drill dimensions

without radius covers

PG 30	PG 40
<p>Drill dimensions without radius covers</p>	<p>Drill dimensions without radius covers</p>
<p>Drill dimensions with radius covers</p>	<p>Drill dimensions with radius covers</p>

with radius covers

↗ 1.43

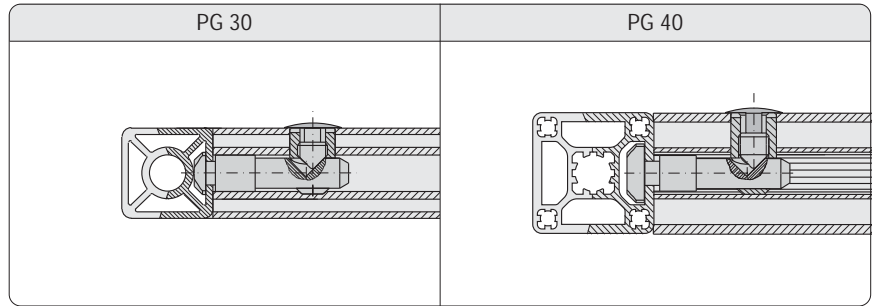
Cover plug

for connector cross bushings

↗ 1.42

PG 30	PG 40

Connection with standard connectors



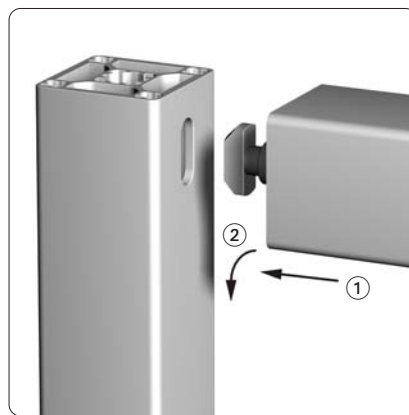
Single parts

Connector, standard 1.21.3F1 (V)
 Connector, standard 90° 1.21.3F2 (V)

Single parts

Connector, standard 1.21.4E1 (V)
 Connector, standard 90° 1.21.4E2 (V)

Mounting variation for profiles with 1 connector



Assembly

- ① insert connector
- ② turn profile

Fabrication measurements

PG 30	PG 40	PG 45
<p>For fastening of profile 30×30</p>	<p>For fastening of profile 40×40</p>	<p>For fastening of profile 45×45</p>

Mounting variation

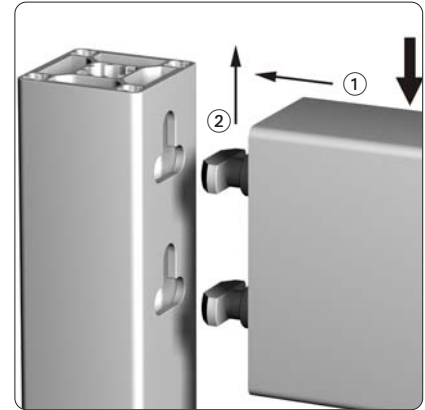
for profiles with 1 or more connectors, if the profile cannot be rotated

for high flexure load



Comments

Position of assembly: profiles flush on the top



Assembly

- ① insert connector
- ② push profile to the top

Fabrication measurements

PG 30	PG 40	PG 45
<p>For fastening of profile 30×30</p>	<p>For fastening of profile 40×40</p>	<p>For fastening of profile 45×45</p>
<p>For fastening of profile 30×60</p>	<p>For fastening of profile 40×80</p>	<p>For fastening of profile 45×90</p>
<p>For fastening of profile 60×60</p>	<p>For fastening of profile 80×80</p>	<p>For fastening of profile 90×90</p>

Mounting variation

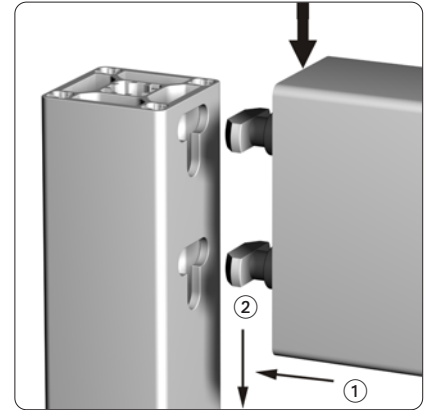
for profiles with 1 or more connectors, if the profile cannot be rotated

for high sliding load



Comments

Position of assembly: profiles flush on the top



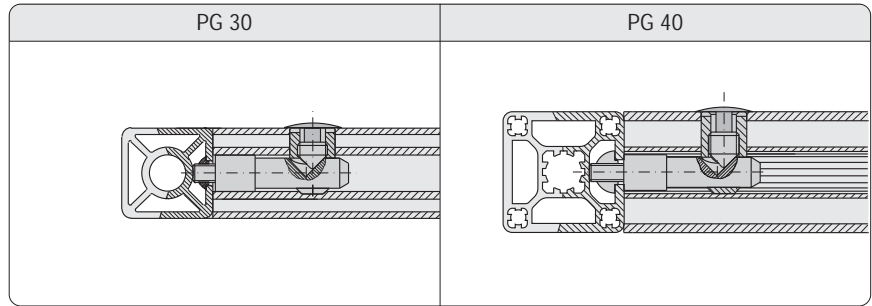
Assembly

- ① insert connector
- ② push profile to the bottom

Fabrication measurements

PG 30	PG 40	PG 45
<p>For fastening of profile 30x30</p>	<p>For fastening of profile 40x40</p>	<p>For fastening of profile 45x45</p>
<p>For fastening of profile 30x60</p>	<p>For fastening of profile 40x80</p>	<p>For fastening of profile 45x90</p>
<p>For fastening of profile 60x60</p>	<p>For fastening of profile 80x80</p>	<p>For fastening of profile 90x90</p>

Connection with screw-type connector



Single parts

- Screw-type connector 1.21.30S1M8/7 (V)
- T-Nut for subsequent insertion, with spring, F 1.32.4FM8 (V)

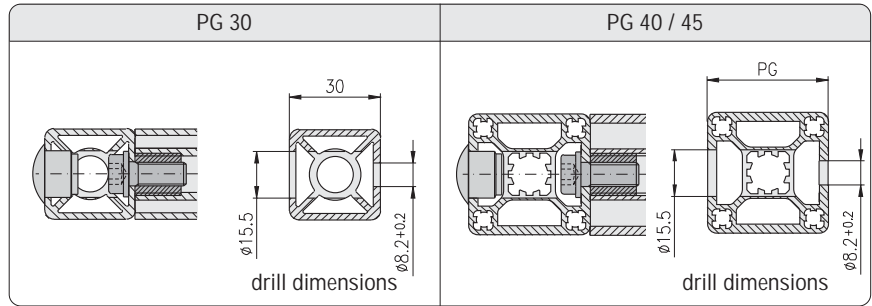
Single parts

- Screw-type connector 1.21.4S1M8/11 (V)
- T-Nut for subsequent insertion, with spring, E 1.32.4EM8 (V)

Fabrication measurements

PG 30	PG 40	PG 45
<p>For fastening of profile 30×30</p>	<p>For fastening of profile 40×40</p>	<p>For fastening of profile 45×45</p>
<p>For fastening of profile 30×60</p>	<p>For fastening of profile 40×80</p>	<p>For fastening of profile 45×90</p>
<p>For fastening of profile 60×60</p>	<p>For fastening of profile 80×80</p>	<p>For fastening of profile 90×90</p>

Connection with DIN-Screw



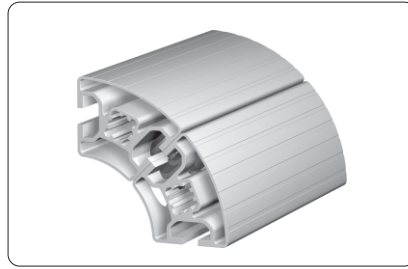
Single parts

- Threaded insert M14/M8 1.35.1140815
- Cap head screw DIN 6912, M8×20 0.63.D06912.08020
- Washer, DIN 433 - 8.4 0.62.D00433.08,4
- Cover plug Ø15 1.42.6114.x

Fabrication measurements

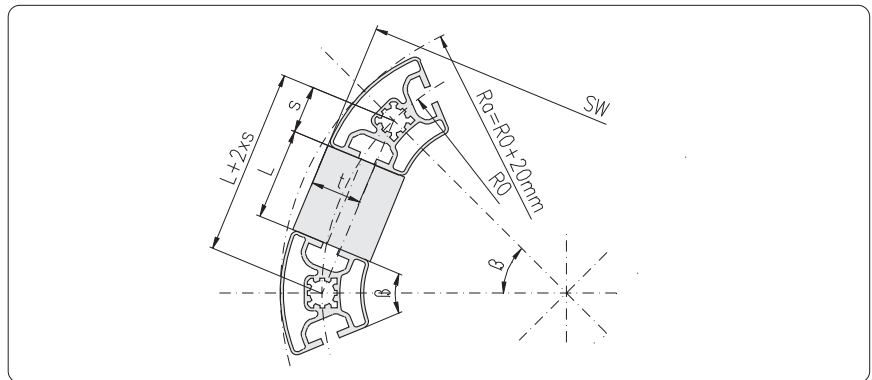
PG 30	PG 40	PG 45
<p>For fastening of profile 30×30</p>	<p>For fastening of profile 40×40</p>	<p>For fastening of profile 45×45</p>
<p>For fastening of profile 30×60</p>	<p>For fastening of profile 40×80</p>	<p>For fastening of profile 45×90</p>
<p>For fastening of profile 60×60</p>	<p>For fastening of profile 80×80</p>	<p>For fastening of profile 90×90</p>

Connection of profiles 40, round



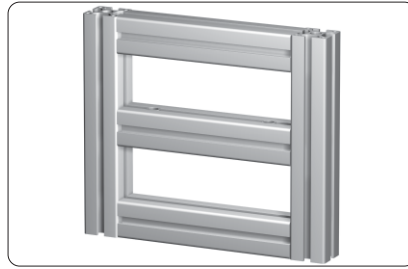
Drill dimensions for profiles 40, round			
30°		45°	
60°		90°	

Calculation formulas for polygons



known	searched	Profile 40, round 30° ($\beta = 30^\circ$)	Profile 40, round 45° ($\beta = 45^\circ$)	Profile 40, round 60° ($\beta = 60^\circ$)
			t = 22.04 s = 15.53	t = 24.57 s = 22.96
R ₀	L =	$R_0 \times 0.51764 - 31.06$	$R_0 \times 0.76537 - 45.92$	$R_0 - 60$
R _a	L =	$(R_a - 20) \times 0.51764 - 31.06$	$(R_a - 20) \times 0.76537 - 45.92$	$R_a - 80$
SW	L =	$\frac{SW - 44.08}{\sqrt{3.73205}} \times 0.51764 - 31.06$	$\frac{SW - 49.14}{\sqrt{3.4142}} \times 0.76537 - 45.92$	$\frac{SW - 56.08}{\sqrt{3}} - 60$
SW	R ₀ =	$\frac{SW - 44.08}{\sqrt{3.73205}}$	$\frac{SW - 49.14}{\sqrt{3.4142}}$	$\frac{SW - 56.08}{\sqrt{3}}$
SW	R _a =	$\frac{SW - 44.08}{\sqrt{3.73205}} + 20$	$\frac{SW - 49.14}{\sqrt{3.4142}} + 20$	$\frac{SW - 56.08}{\sqrt{3}} + 20$
R ₀	SW =	$\sqrt{(R_0 \times 2)^2 - (R_0 \times 0.51764)^2} + 44.08$	$\sqrt{(R_0 \times 2)^2 - (R_0 \times 0.76537)^2} + 49.14$	$\sqrt{(R_0 \times 2)^2 - R_0^2} + 56.08$
R _a	SW =	$\sqrt{((R_a - 20) \times 2)^2 - ((R_a - 20) \times 0.51764)^2} + 44.08$	$\sqrt{((R_a - 20) \times 2)^2 - ((R_a - 20) \times 0.76537)^2} + 49.14$	$\sqrt{((R_a - 20) \times 2)^2 - R_a^2} + 56.08$

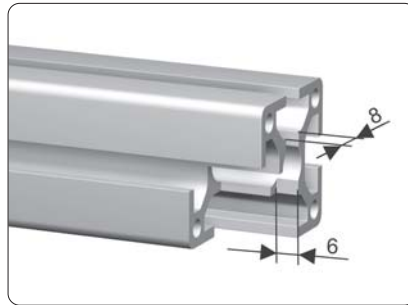
Subsequent mounting of profiles



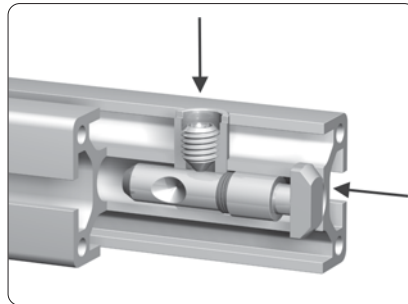
Step by step instruction for subsequent mounting of profiles with two standard connections for all profile groups

For the subsequent mounting of the profile:

1. Mill on both ends a slot size of 6x8 mm.



2. Mount connector and fix anchor in front position with setscrew.



3. Mount profile.



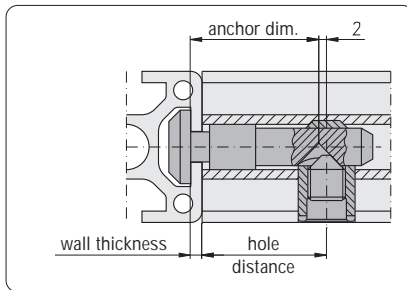
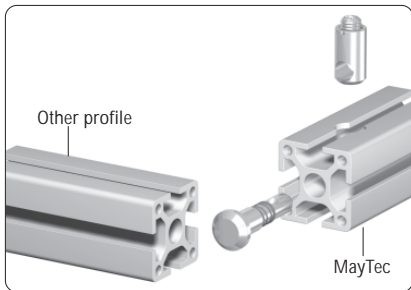
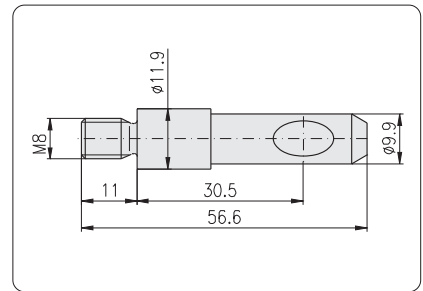
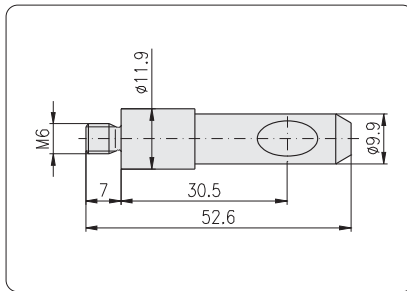
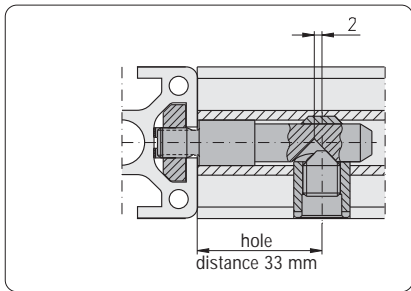
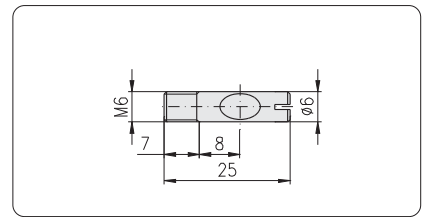
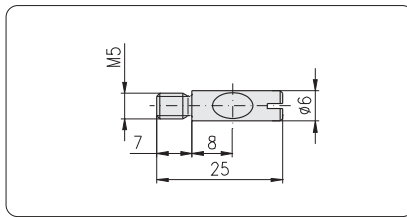
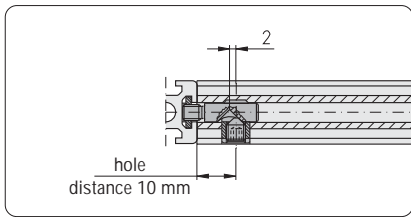
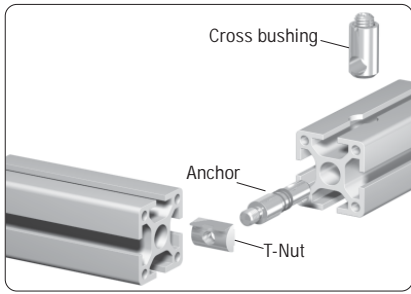
4. Loosen setscrew.
Due to the compressing spring the anchor is pushed into the slot.
Turn anchor by 90° with screw driver.
Fasten setscrew.



Connection of MayTec with other profile systems

MayTec profiles can easily be combined with other profile systems.

With the MayTec Screw-type connector and the T-Nut of the other profile system



With the MayTec Standard-connector two points have to be considered:

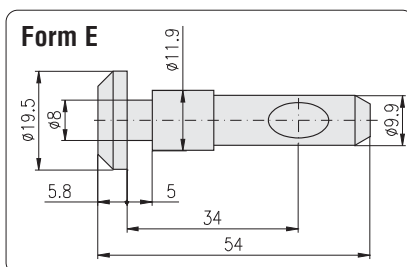
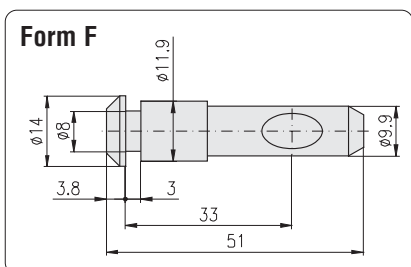
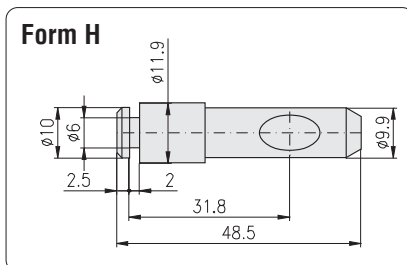
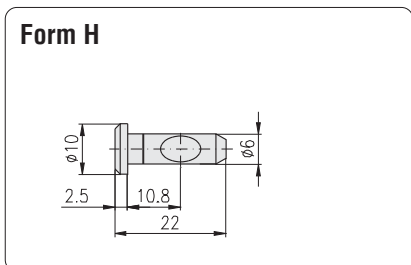
1. Anchor head-form and size

The MayTec system provides 3 anchor head sizes. If any of the sizes don't fit into the slots of other profile systems, the anchor head can be made to fit as required.

2. Hole distance

During the machining of the cross bore the hole distance has to match the wall thickness of the profile.

$$\text{hole distance} = \text{anchor dim.} - \text{wall thickness} + 2 \text{ mm}$$



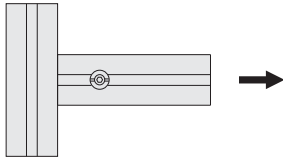
Torque tightening values for connector setscrew

PG	Slot	Setscrew special execution	Torque value	
			recommended	max.
20	H	M6×8	5.0 Nm	6.0 Nm
	F	M8×10	15.0 Nm	20.0 Nm
30	F	M10×12	25.0 Nm	30.0 Nm
40	E	M10×12	30.0 Nm	40.0 Nm
45	E	M10×12	30.0 Nm	40.0 Nm
50	E	M10×12	30.0 Nm	40.0 Nm
60	E	M10×12	30.0 Nm	40.0 Nm

Comments

The max. tightening values are only valid for the MayTec setscrew and can not be reached by the usual commercial quality standard.

Tension load

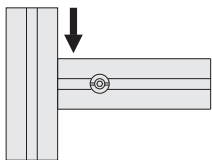


PG	Slot	max. Tensile strength				
		Connector			T-Nut	
		Standard	Universal	Square head		
20	H	-	1,500 N	-	M4	4,000 N
	F	5,000 N	6,000 N	8,000 N	M8	8,000 N
30	F	5,000 N	6,000 N	8,000 N	M8	8,000 N
40	E	10,000 N	12,000 N	12,000 N	M8	12,000 N
45	E	15,000 N	18,000 N	20,000 N	M8	20,000 N
50	E	15,000 N	18,000 N	20,000 N	M8	20,000 N
60	E	15,000 N	18,000 N	20,000 N	M8	20,000 N

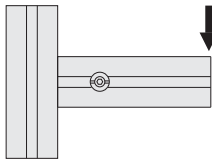
Comments

All values given have been tested with pre-tension of the connectors and maximum torque value and refer to the connection of two identical profiles.

Slide load



Flexure load



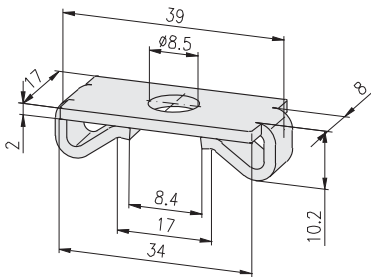
PG	Profile	Slot	Pcs	max. Slide strength		max. Flexure strength				
				Standard, Universal, Square head	E-connector (Standard, Universal)	Connector				
						Standard, Universal, Square head	Standard, Universal, Square head	Standard, Universal, Square head		
20	20×20	H	1	1,500 N	-	50 Nm	100 Nm	150 Nm		
	20×40		2	3,000 N	-					
	40×40	F	4	6,000 N	-	300 Nm		65 Nm		
	20×30		1	5,000 N	7,500 N					
30	30×30	F	1	5,000 N	7,500 N	100 Nm	100 Nm	160 Nm		
	30×50		1	5,000 N	7,500 N					
	30×60	2	10,000 N	15,000 N	200 Nm	400 Nm				
	30×100, 5F	2	10,000 N	15,000 N						
	30×100, 8F	3	15,000 N	22,500 N	300 Nm	960 Nm				
	30×150, 8F	3	15,000 N	22,500 N						
	60×60 angle	3	15,000 N	22,500 N	500 Nm	1,500 Nm				
	60×60	4	20,000 N	30,000 N						
	30×150	E	2	12,000 N	18,000 N	800 Nm	500 Nm	2,000 Nm		
	40	40×40	E	1	6,000 N	9,000 N	250 Nm	250 Nm	375 Nm	
40×60		1		6,000 N	9,000 N					
40×80		2	12,000 N	18,000 N	500 Nm	1,000 Nm				
40×120		3	18,000 N	27,000 N						
40×160		4	24,000 N	36,000 N	1,000 Nm	4,000 Nm				
80×80 angle		3	18,000 N	27,000 N						
80×80, 8E		4	24,000 N	36,000 N	1,250 Nm	3,000 Nm				
80×120		6	36,000 N	54,000 N						
120×120		8	48,000 N	72,000 N	6,000 Nm	4,500 Nm				
80×160		8	48,000 N	72,000 N						
45	45×45	E	1	6,000 N	9,000 N	360 Nm	360 Nm	480 Nm		
	45×60		1	6,000 N	9,000 N					
	45×90		2	12,000 N	18,000 N				720 Nm	1,440 Nm
	90×90		4	24,000 N	36,000 N					
50	50×50	E	1	6,000 N	9,000 N	400 Nm	800 Nm	1,600 Nm		
	50×100, 6E		2	12,000 N	18,000 N					
	50×100, 8E		3	18,000 N	27,000 N				1,200 Nm	2,400 Nm
	50×150		3	18,000 N	27,000 N					
	100×100		4	24,000 N	36,000 N				3,200 Nm	3,600 Nm
	100×200		8	48,000 N	72,000 N					
60	60×60	E	1	6,000 N	9,000 N	480 Nm	960 Nm	1,440 Nm		
	60×90		2	12,000 N	18,000 N					

The listed values are valid for all light and heavy profiles

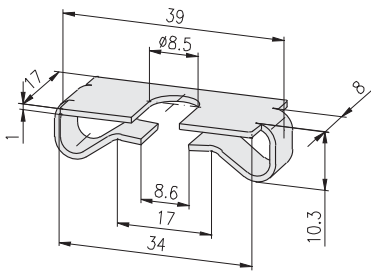
Retaining plates



Technical data
 material: steel
 surface: galvanised



Description	Weight	Article-No.
Retaining plate	13 g	1.29.11140



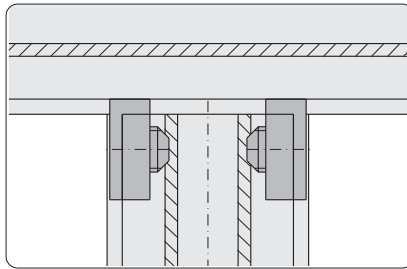
Description	Weight	Article-No.
Retaining plate for connector	11 g	1.29.11240

Anti-twist devices

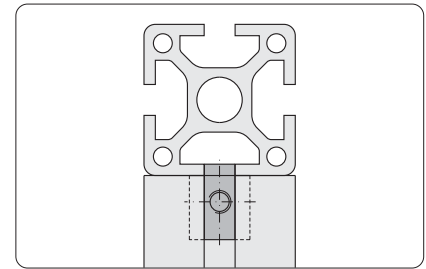


Application

In the case of high torque forces with connections of one connector only, twisting can be prevented by mounting 1 or 2 anti-twist devices.



The nose of the anti-twist device fits into the basic profile.

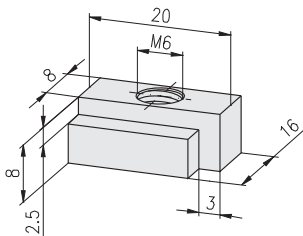
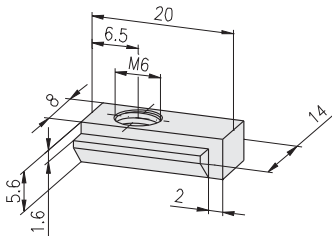


Technical data

material: steel
 surface: galvanised
 max. moment of torque: $M_{A, max}$

Fastening elements

F-slot:
 Setscrew M6×8 1.20.G0608
 E-slot:
 Setscrew M6×12 1.20.G0612



Description	G	$M_{A, max}$	Weight	Article-No.
Anti-twist device F	M6	10 Nm	7.3 g	1.29.321.FM6

Description	G	$M_{A, max}$	Weight	Article-No.
Anti-twist device E	M6	10 Nm	14 g	1.29.321.EM6

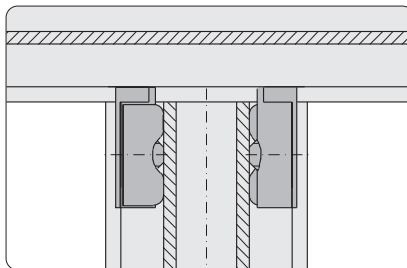
**Anti-twist devices
for subsequent insertion**



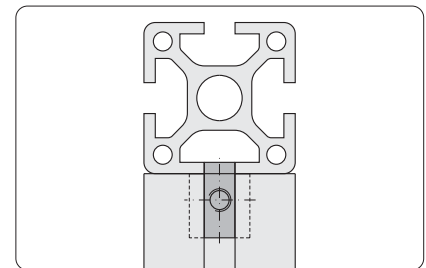
Application

In the case of high torque forces with connections of one connector only, twisting can be prevented by mounting 1 or 2 anti-twist devices.

- for subsequent insertion

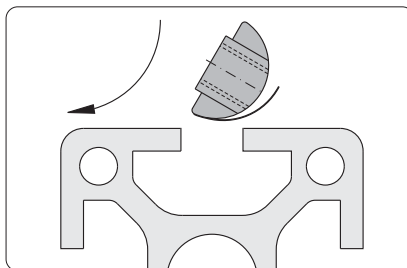


The nose of the anti-twist device fits into the basic profile.



Technical data

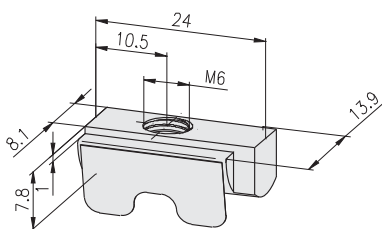
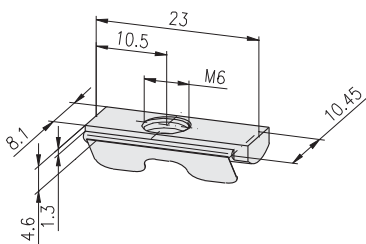
material: steel
 surface: galvanised
 max. moment of torque: $M_{A, max}$



Insert front-sided and rotate

Fastening elements

F-slot:
 Setscrew ISO 4026 M6×8 1.20.G0608
 E-slot:
 Setscrew ISO 4026 M6×12 1.20.G0612



Description	G	$M_{A, max}$	Weight	Article-No.
Anti-twist device F	M6 for subsequent insertion	10 Nm	7.3 g	1.29.324.FM6

Description	G	$M_{A, max}$	Weight	Article-No.
Anti-twist device E	M6 for subsequent insertion	10 Nm	14 g	1.29.324.EM6

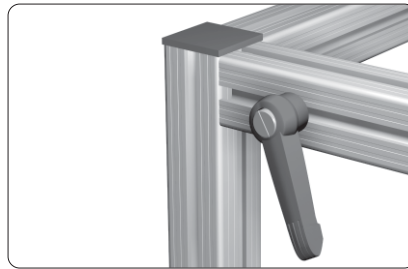
Clamping levers



Clamping lever for drill jigs

Application

Any MayTec connector can be equipped with a clamping lever.
For frequent opening and closing

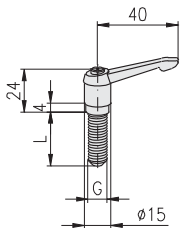


Clamping lever for connector

Technical data

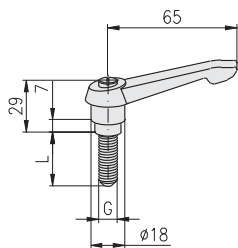
clamping handle: PA-glass-fiber reinf.
clamping lever: with ratchet lever handle
annular gear: die casted zinc
thread: steel

Clamping levers 40 for connector



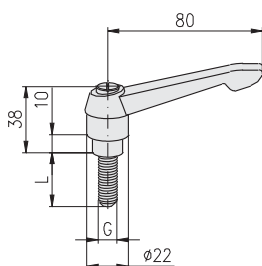
Description	G	L	Weight	Article-No.
Clamping lever 40 for connector	M6	20	17 g	1.29.500620
Clamping lever 40 for connector	M8	20	21 g	1.29.500820
Clamping lever 40 for connector	M10	20	24 g	1.29.501020
Clamping lever 40 for connector	M10	30	29 g	1.29.501030

Clamping levers 65 for connector



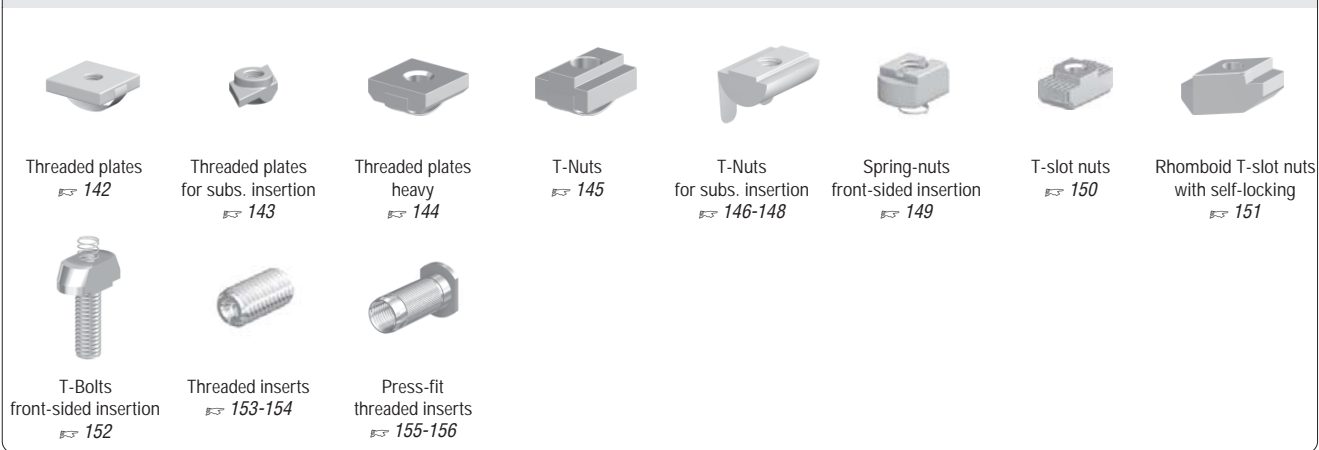
Description	G	L	Weight	Article-No.
Clamping lever 65 for connector	M6	20	36 g	1.29.650620
Clamping lever 65 for connector	M8	20	41 g	1.29.650820
Clamping lever 65 for connector	M8	30	43 g	1.29.650830
Clamping lever 65 for connector	M10	20	44 g	1.29.651020
Clamping lever 65 for connector	M10	30	49 g	1.29.651030

Clamping levers 80 for connector

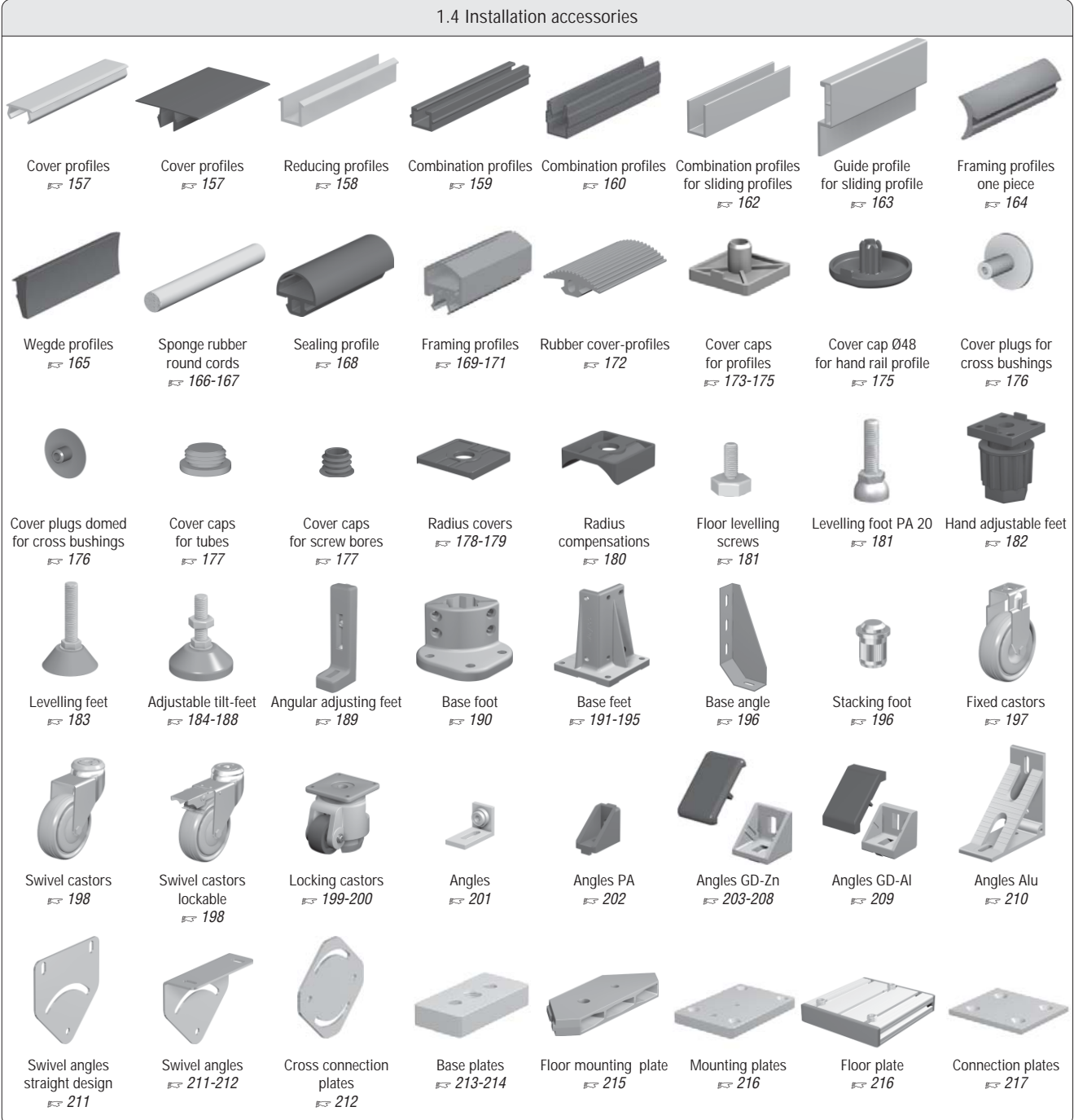


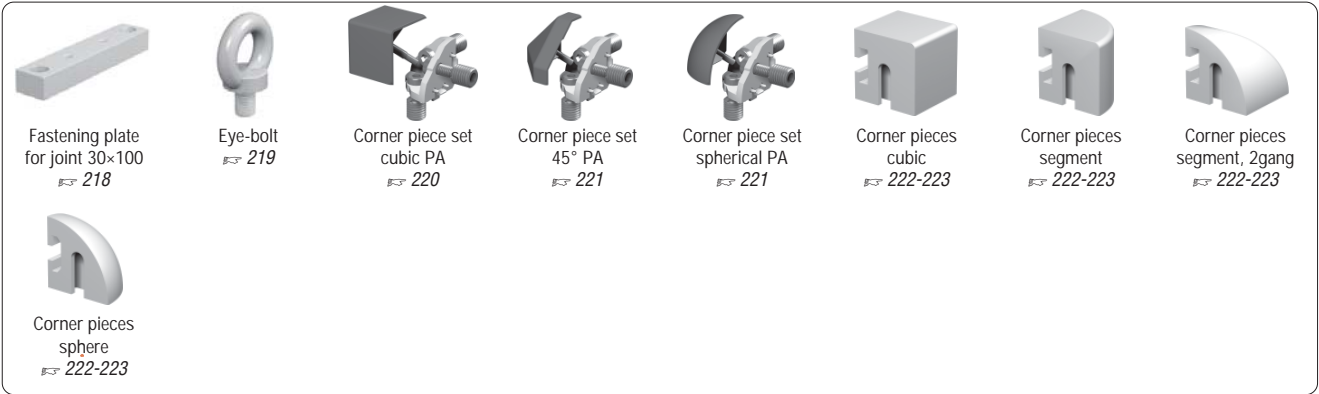
Description	G	L	Weight	Article-No.
Clamping lever 80 for connector	M8	20	64 g	1.29.800820
Clamping lever 80 for connector	M10	20	65 g	1.29.801020
Clamping lever 80 for connector	M10	30	70 g	1.29.801030

1.3 Fastening elements

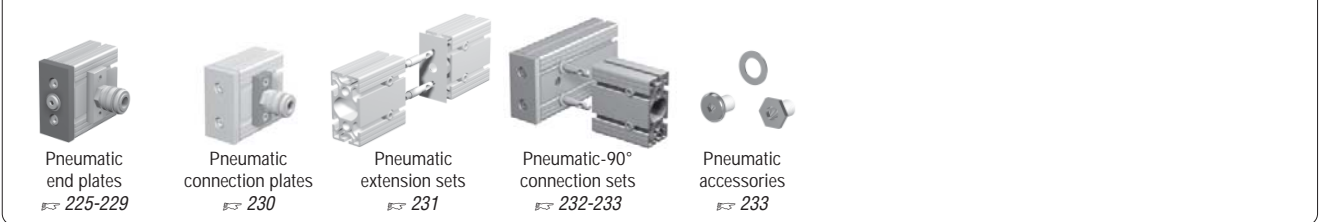


1.4 Installation accessories

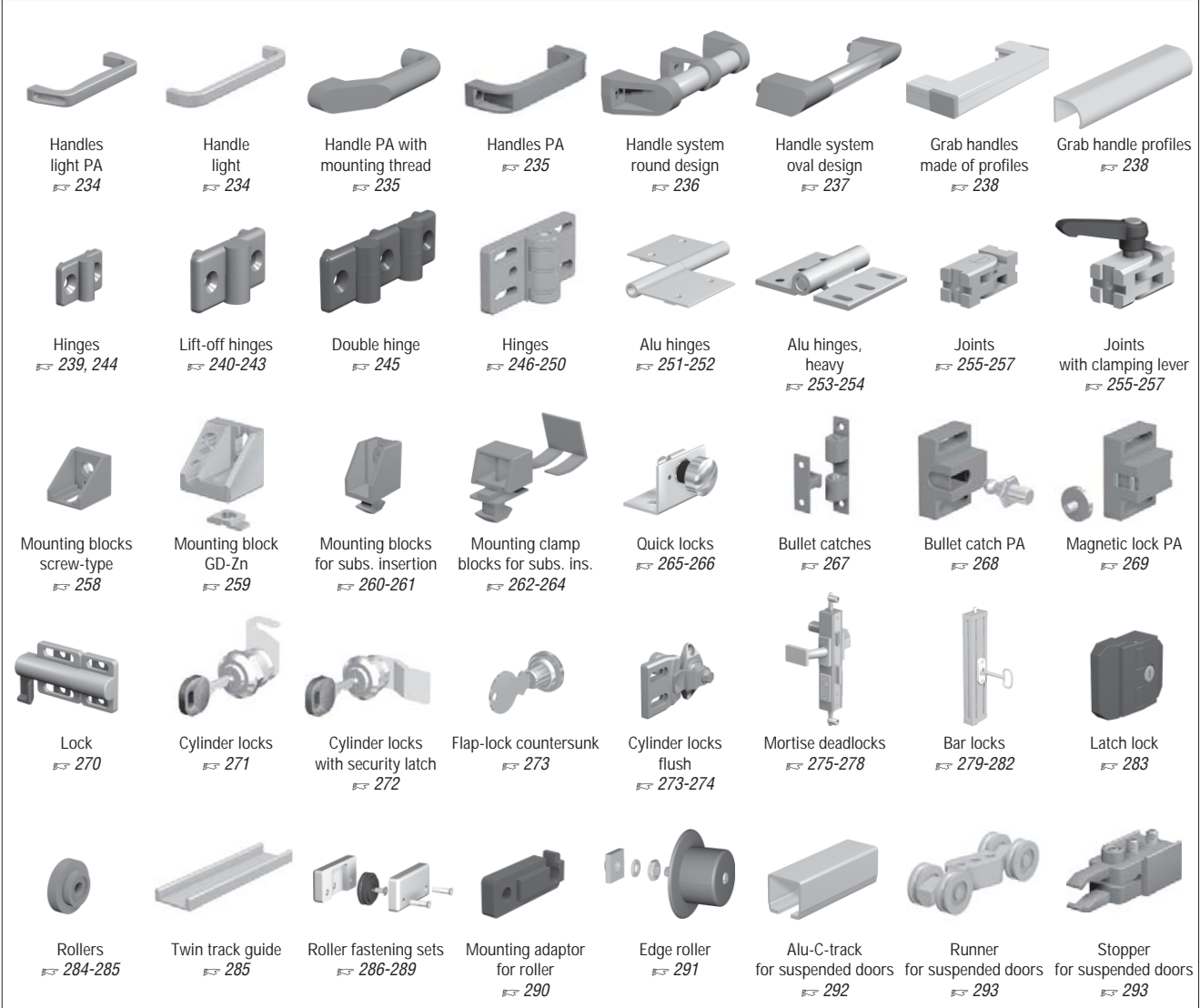







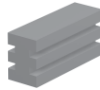






1.5 Pneumatic accessories











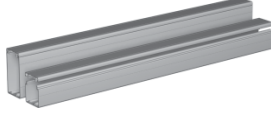


1.6 Additional accessories








							
Bottom guide for suspended doors ↔ 293	Frame guide for suspended doors ↔ 293	Rubber door stop for suspended doors ↔ 293	Runner for sliding suspended doors ↔ 294	Slot rollers ↔ 296	Sliding blocks ↔ 298	T-Nut sliding blocks ↔ 299	Eco-Slides ↔ 300-303
							
Hanging bracket ↔ 304	Suspended glider ↔ 305						





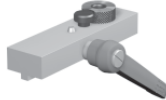



1.7 Electrical accessories

							
Potential equalisation ↔ 306	Ground connections ↔ 307	Cable and hose clamp ↔ 308	Block for cable binder ↔ 309	Installation rings ↔ 310	Mounting set for 19" profile ↔ 311	Safety switches ↔ 312-313	Safety interlocking-mountings ↔ 314-318
							
Sensor brackets ↔ 319	Electrical installation trunking ↔ 320-323	Electrical installation trunkings ↔ 324-327					

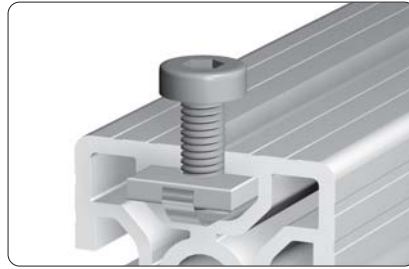
1.8 Panel elements

							
Corner elements for wire net m. profile ↔ 328	Corner element 33 for wire net m. prf. 33x10 ↔ 329	Mounting sockets ↔ 330	Panel elements ↔ 331-334	Wire nets, grid ↔ 334-335			

1.9 Tools

							
Self locking washers ↔ 336-337	Button head screws ↔ 338	Press in device for knurled cross bushing ↔ 338	Tx screw driver ↔ 338	Drill jigs ↔ 340, 342	Drills ↔ 341, 343-344	Milling cutters ↔ 341, 343-344	Screw taps ↔ 345-346

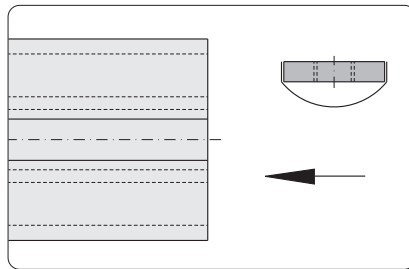
Threaded plates



Fixed into position with leaf spring

Application

Fastening element for screw-type connections

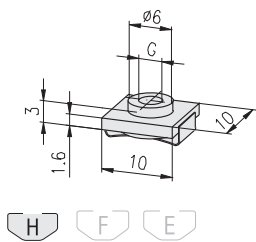


Assembly

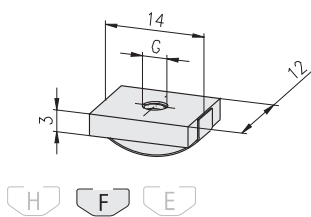
Insert from end

Technical data

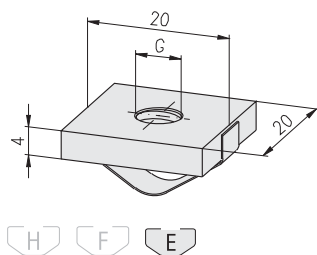
material: steel
 surface: galvanised
 max. moment of torque: $M_{A, \max}$



Description	G	$M_{A, \max}$	Weight	Article-No.
Threaded plate H	M3	1.3 Nm	1.5 g	1.31.HM3
Threaded plate H	M4	2.0 Nm	1.3 g	1.31.HM4
Threaded plate H	M5	2.0 Nm	1.2 g	1.31.HM5

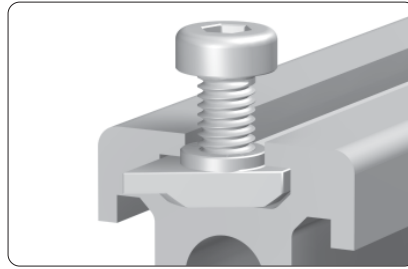


Description	G	$M_{A, \max}$	Weight	Article-No.
Threaded plate F	M3	1.3 Nm	3.9 g	1.31.FM3
Threaded plate F	M4	3.0 Nm	3.7 g	1.31.FM4
Threaded plate F	M5	5.0 Nm	3.6 g	1.31.FM5
Threaded plate F	M6	7.0 Nm	3.3 g	1.31.FM6

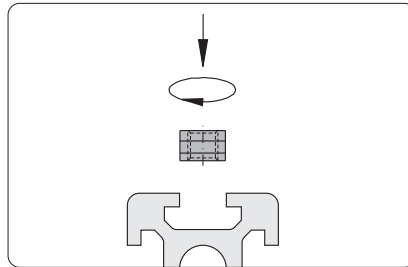


Description	G	$M_{A, \max}$	Weight	Article-No.
Threaded plate E	M3	1.3 Nm	12.0 g	1.31.EM3
Threaded plate E	M4	3.0 Nm	11.8 g	1.31.EM4
Threaded plate E	M5	5.0 Nm	11.6 g	1.31.EM5
Threaded plate E	M6	8.0 Nm	11.3 g	1.31.EM6
Threaded plate E	M8	15.0 Nm	11.0 g	1.31.EM8

**Threaded plates
for subsequent insertion**



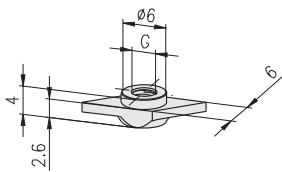
Application
Fastening element for screw-type connections



Assembly
Insert frontally and turn 60°

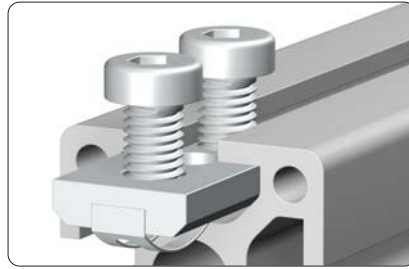
Technical data

material: steel
 surface: galvanised
 max. moment of torque: $M_{A, \max}$



Description	G	$M_{A, \max}$	Weight	Article-No.
Threaded plate for subsequent insertion H	M3	1.3 Nm	0.90 g	1.31.4HM3
Threaded plate for subsequent insertion H	M4	2.0 Nm	0.85 g	1.31.4HM4
Threaded plate for subsequent insertion H	M5	2.0 Nm	0.80 g	1.31.4HM5

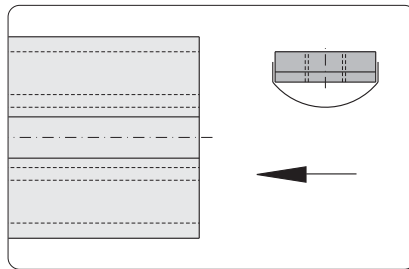
**Threaded plates
heavy**



Fixed into position with leaf spring

Application

- Fastening element for
- screw-type connections
 - hinges, heavy, type 20, 21, 22, 23, 31

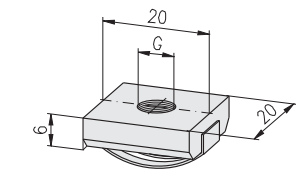


Assembly

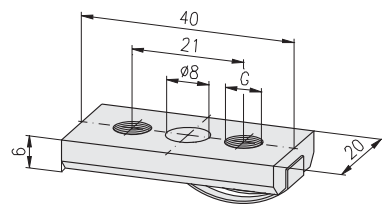
Insert from end

Technical data

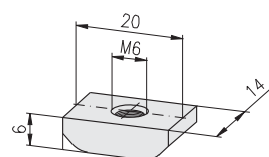
material: steel
 surface: galvanised
 max. moment of torque: $M_{A, \max}$



Description	G	$M_{A, \max}$	Weight	Article-No.
Threaded plate, heavy E	M6	10.0 Nm	17.2 g	1.31.6EM6
Threaded plate, heavy E	M8	26.0 Nm	16.3 g	1.31.6EM8



Description	G	$M_{A, \max}$	Weight	Article-No.
Threaded plate, heavy E	2×M6	10.0 Nm	33.8 g	1.31.6E2M6
Threaded plate, heavy E	2×M8	26.0 Nm	32.0 g	1.31.6E2M8

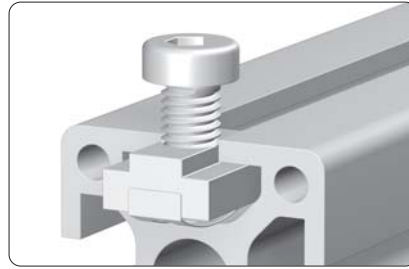


Application

Fastening element for ST-Connector with anchor, screw-type ↗ 1.2D
 Application sample ↗ Eco-Slide 1.67

Description	G	$M_{A, \max}$	Weight	Article-No.
Threaded plate, heavy E	M6	10.0 Nm	12.4 g	1.31.7EM6

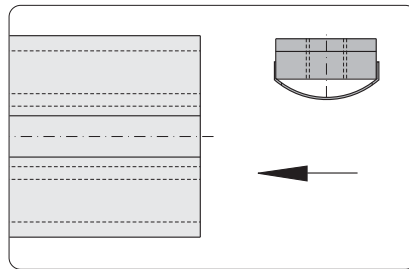
T-Nuts with spring



Fixing with leaf spring

Application

Fastening element for screw-type connections

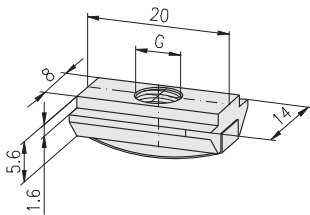


Assembly

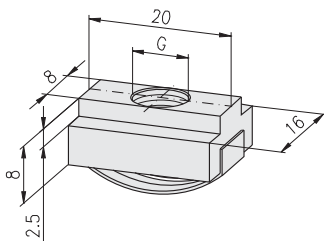
Insert from end

Technical data

material: steel
 surface: galvanised
 max. moment of torque: $M_{A, max}$

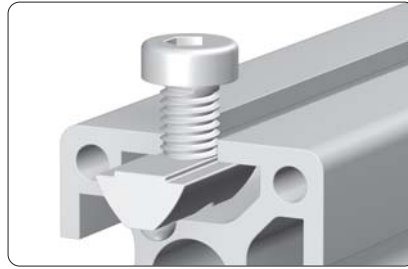


Description	G	$M_{A, max}$	Weight	Article-No.
T-Nut with spring F	M6	10 Nm	7.0 g	1.32.FM6
T-Nut with spring F	M8	26 Nm	6.6 g	1.32.FM8



Description	G	$M_{A, max}$	Weight	Article-No.
T-Nut with spring E	M6	10 Nm	15 g	1.32.EM6
T-Nut with spring E	M8	26 Nm	14 g	1.32.EM8

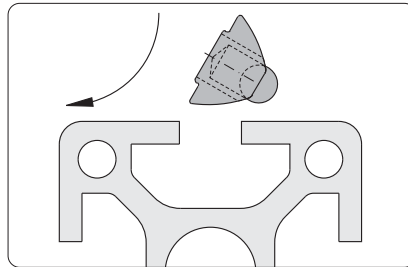
**T-Nuts
for subsequent insertion,
with spring ball**



Fixing with spring ball

Application

Fastening element for screw-type connections

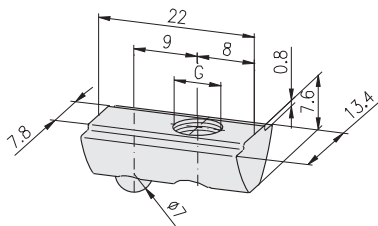


Assembly

Insert front-sided and rotate

Technical data

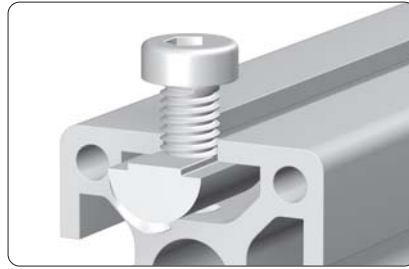
material: steel
 surface: galvanised
 max. moment of torque: $M_{A, \max}$



Description

Description	G	$M_{A, \max}$	Weight	Article-No.
T-Nut for subs. insertion, w. spring ball E	M4	3.0 Nm	10.4 g	1.32.3EM4
T-Nut for subs. insertion, w. spring ball E	M5	5.0 Nm	10.2 g	1.32.3EM5
T-Nut for subs. insertion, w. spring ball E	M6	10.0 Nm	9.9 g	1.32.3EM6
T-Nut for subs. insertion, w. spring ball E	M8	26.0 Nm	9.6 g	1.32.3EM8

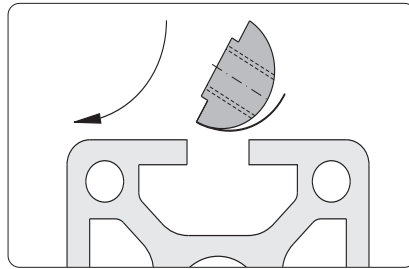
T-Nuts for subsequent insertion, with spring



Fixing with leaf spring

Application

Fastening element for screw-type connections



Insert front-sided and rotate

Technical data

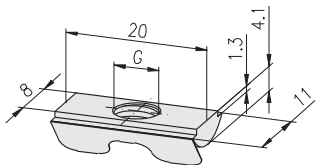
Design steel:

- material: steel
- surface: galvanised

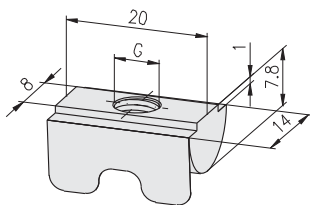
Design stainless:

- material: stainless steel 1.4305
- surface: pickled and passivated

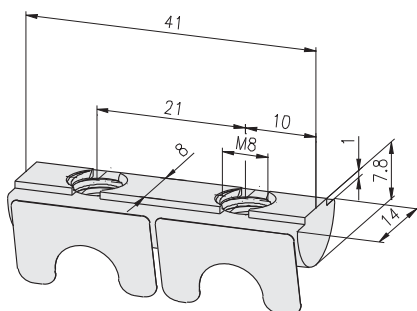
max. moment of torque: $M_{A, max}$



Description	G	Design	$M_{A, max}$	Weight	Article-No.
T-Nut for subs. ins., w. spring F	M3	steel	1.3 Nm	5.0 g	1.32.4FM3
T-Nut for subs. ins., w. spring F	M4	steel	3.0 Nm	4.9 g	1.32.4FM4
T-Nut for subs. ins., w. spring F	M5	steel	5.0 Nm	4.6 g	1.32.4FM5
T-Nut for subs. ins., w. spring F	M6	steel	10.0 Nm	4.3 g	1.32.4FM6
T-Nut for subs. ins., w. spring F	M8	steel	10.0 Nm	3.7 g	1.32.4FM8
T-Nut for subs. ins., w. spring F	M6	stainless	10.0 Nm	4.3 g	1.32.4FM6V
T-Nut for subs. ins., w. spring F	M8	stainless	10.0 Nm	3.7 g	1.32.4FM8V



Description	G	Design	$M_{A, max}$	Weight	Article-No.
T-Nut for subs. ins., w. spring E	M3	steel	1.3 Nm	10.0 g	1.32.4EM3
T-Nut for subs. ins., w. spring E	M4	steel	3.0 Nm	10.0 g	1.32.4EM4
T-Nut for subs. ins., w. spring E	M5	steel	5.0 Nm	10.0 g	1.32.4EM5
T-Nut for subs. ins., w. spring E	M6	steel	10.0 Nm	10.0 g	1.32.4EM6
T-Nut for subs. ins., w. spring E	M8	steel	26.0 Nm	9.0 g	1.32.4EM8
T-Nut for subs. ins., w. spring E	M4	stainless	3.0 Nm	10.0 g	1.32.4EM4V
T-Nut for subs. ins., w. spring E	M5	stainless	5.0 Nm	10.0 g	1.32.4EM5V
T-Nut for subs. ins., w. spring E	M6	stainless	10.0 Nm	10.0 g	1.32.4EM6V
T-Nut for subs. ins., w. spring E	M8	stainless	26.0 Nm	9.0 g	1.32.4EM8V



Fixing with leaf spring

Application

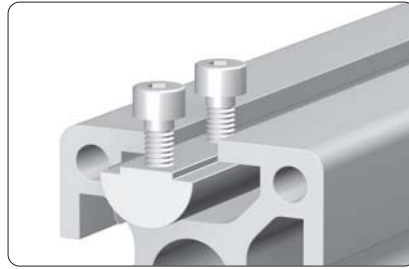
- Fastening element for screw-type connections
- hinges, heavy, type 20, 21, 31

Technical data

material: steel
 surface: galvanised
 max. moment of torque: $M_{A, max}$

Description	G	$M_{A, max}$	Weight	Article-No.
T-Nut for subs. ins., w. spring E	2×M8	26.0 Nm	20.3 g	1.32.4E2M8.41

**T-Nuts
for subsequent insertion,
with spring**



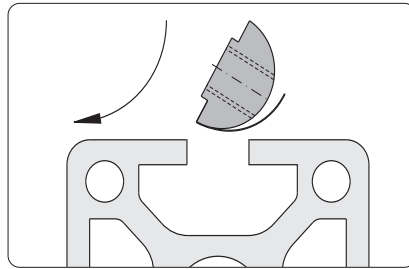
Fixing with leaf spring

Application

Fastening element for screw-type connections

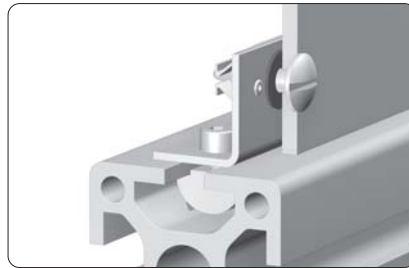
Technical data

material: steel
surface: galvanised
max. moment of torque: $M_{A, max}$



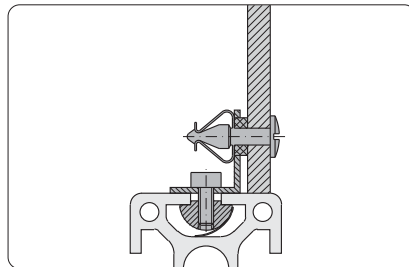
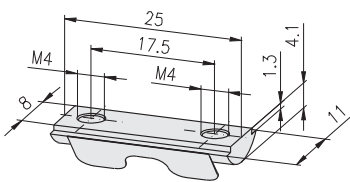
Assembly

Insert front-sided and rotate

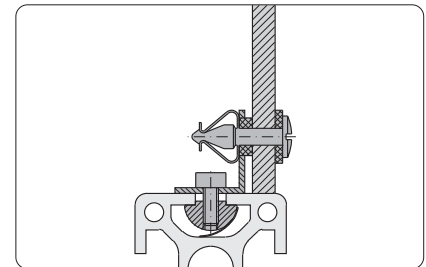


Application

Fastening element for mounting angle, quick lock \rightarrow 265

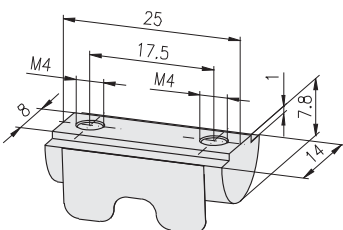


Fastening without washer



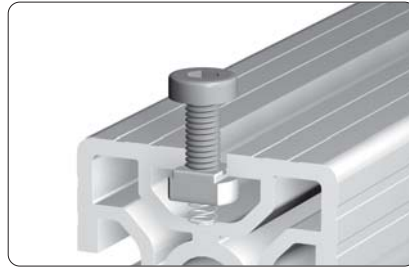
Fastening with washer

Description	G	$M_{A, max}$	Weight	Article-No.
T-Nut for subs. ins., w. spring F	2×M4	3.0 Nm	7.0 g	1.32.4F2M4.25



Description	G	$M_{A, max}$	Weight	Article-No.
T-Nut for subs. ins., w. spring E	2×M4	3.0 Nm	12.0 g	1.32.4E2M4.25

**Spring-nuts
front-sided insertion**

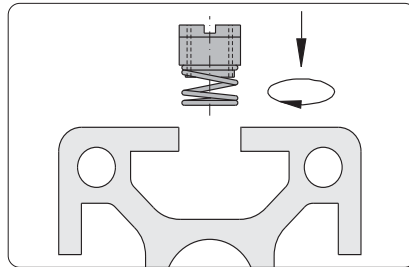


Fixing with compressing spring

Application

Fastening element for screw-type connections
Applicable for small loads such as:

- enclosures
- electric switches

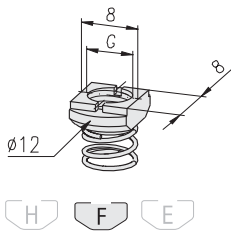


Assembly

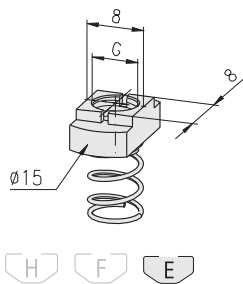
Insert front-sided and turn 90°

Technical data

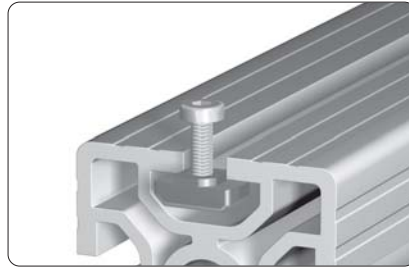
material: steel
surface: galvanised
max. moment of torque: $M_{A, \max}$



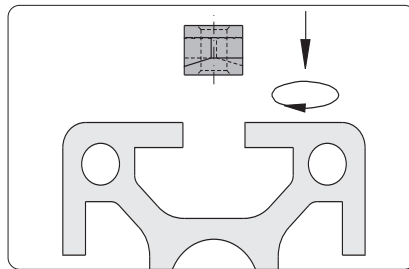
Description	G	$M_{A, \max}$	Weight	Article-No.
Spring-nut F	M3	1.3 Nm	1.6 g	1.33.FM3
Spring-nut F	M4	3.0 Nm	1.5 g	1.33.FM4
Spring-nut F	M5	5.0 Nm	1.3 g	1.33.FM5
Spring-nut F	M6	8.0 Nm	1.1 g	1.33.FM6



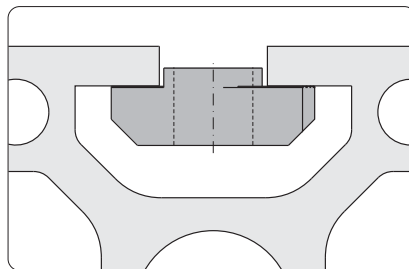
Description	G	$M_{A, \max}$	Weight	Article-No.
Spring-nut E	M3	1.3 Nm	3.9 g	1.33.EM3
Spring-nut E	M4	3.0 Nm	3.7 g	1.33.EM4
Spring-nut E	M5	5.0 Nm	3.4 g	1.33.EM5
Spring-nut E	M6	10.0 Nm	3.0 g	1.33.EM6

T-slot nuts

Application

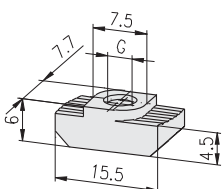
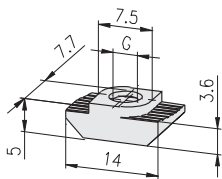
Fastening element for screw-type connections


Assembly

Mount the T-slot nut onto the screw and insert into the slot
 Rotate the screw with T-slot nut 90° inside and then fasten


Technical data

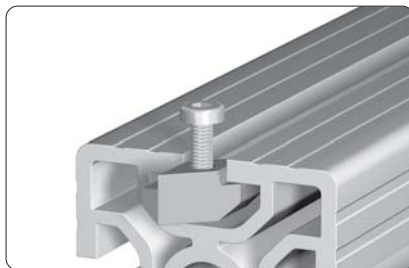
material: GD-Zn
 surface: galvanised
 max. moment of torque: $M_{A, max}$



Description	G	$M_{A, max}$	Weight	Article-No.
T-slot nut F	M4	3.0 Nm	2.4 g	1.34.10FM4
T-slot nut F	M5	5.0 Nm	2.0 g	1.34.10FM5
T-slot nut F	M6	10.0 Nm	1.7 g	1.34.10FM6

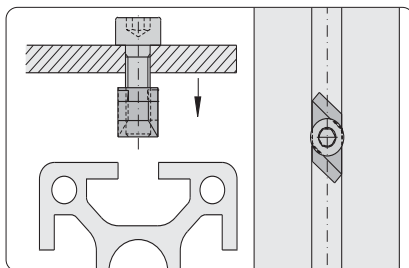
Description	G	$M_{A, max}$	Weight	Article-No.
T-slot nut E	M4	3.0 Nm	3.6 g	1.34.10EM4
T-slot nut E	M5	5.0 Nm	3.2 g	1.34.10EM5
T-slot nut E	M6	10.0 Nm	3.0 g	1.34.10EM6

Rhomboid T-slot nuts with self-locking



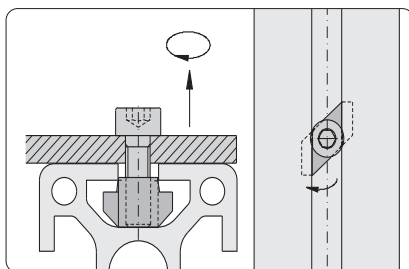
Application

For pre-assembly of threads in the profile slot

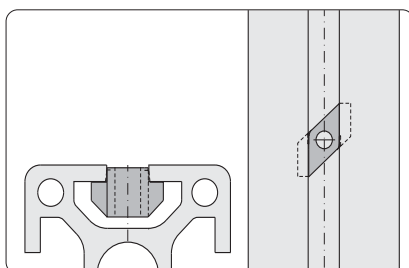


Assembly

Pre-assemble the rhomboid T-slot nut onto the screw, and insert into the slot



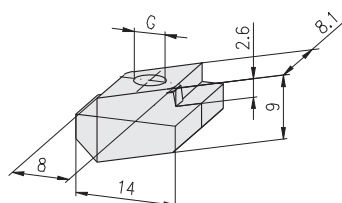
By tightening the screw, the rhomboid T-slot nut is turned 90° and jammed inside the slot with its conical flanks



Even after loosening the screw, the rhomboid T-slot nut will remain wedged in place

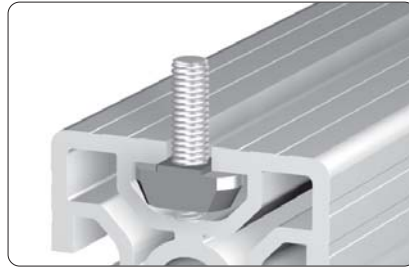
Technical data

material: GD-Zn
 surface: galvanised
 max. moment of torque: $M_{A, \max}$



Description	G	$M_{A, \max}$	Weight	Article-No.
Rhomboid T-slot nut E	M3	1.3 Nm	6.5 g	1.34.20EM3
Rhomboid T-slot nut E	M4	3.0 Nm	6.2 g	1.34.20EM4
Rhomboid T-slot nut E	M5	5.0 Nm	5.9 g	1.34.20EM5
Rhomboid T-slot nut E	M6	10.0 Nm	5.5 g	1.34.20EM6

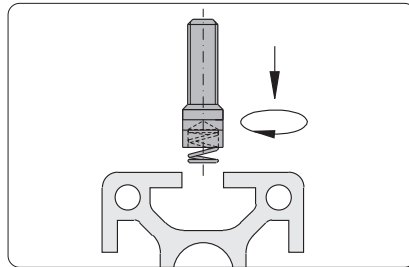
**T-Bolts
front-sided insertion**



Fixing with compressing spring

Application

Fastening element for screw-type connections

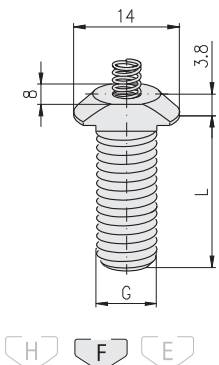


Assembly

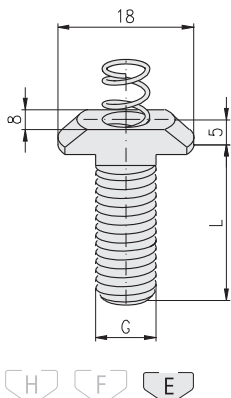
Insert front-sided and turn 90°

Technical data

material: steel
 surface: galvanised
 max. moment of torque: $M_{A, max}$



Description	G×L	$M_{A, max}$	Weight	Article-No.
T-Bolt F	M6×20	6 Nm	6.0 g	1.34.FM62
T-Bolt F	M6×30	6 Nm	7.0 g	1.34.FM63
T-Bolt F	M8×20	15 Nm	8.0 g	1.34.FM82
T-Bolt F	M8×30	15 Nm	11.2 g	1.34.FM83



Description	G×L	$M_{A, max}$	Weight	Article-No.
T-Bolt E	M6×20	6 Nm	9.0 g	1.34.EM62
T-Bolt E	M6×30	6 Nm	10.0 g	1.34.EM63
T-Bolt E	M8×20	18 Nm	12.0 g	1.34.EM82
T-Bolt E	M8×30	18 Nm	14.0 g	1.34.EM83
T-Bolt E	M8×40	18 Nm	18.0 g	1.34.EM84

Threaded inserts

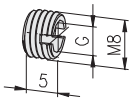


Application
For mounting on front end

Technical data

material: steel
surface: galvanised

Comments
for core hole Ø6



Description	G	Weight	Article-No.
Threaded insert	M8/M4	1.0 g	1.35.10804
Threaded insert	M8/M5	0.9 g	1.35.10805

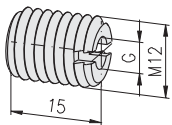


Application
For mounting on front end

Technical data

material: steel
surface: galvanised

Comments
for outer chambers PG 50, heavy



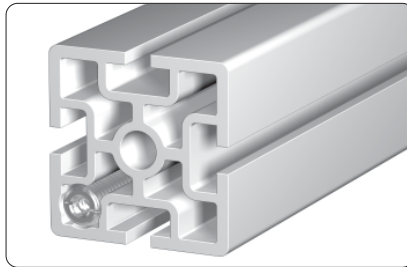
Description	G	Weight	Article-No.
Threaded insert	M12/M4	8.6 g	1.35.11204
Threaded insert	M12/M5	8.0 g	1.35.11205
Threaded insert	M12/M6	7.3 g	1.35.11206
Threaded insert	M12/M8	5.5 g	1.35.11208

Threaded inserts



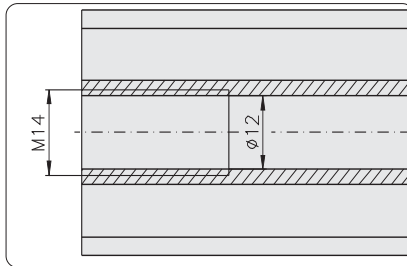
Application

For mounting on front end and fastening of any profile with core hole Ø12



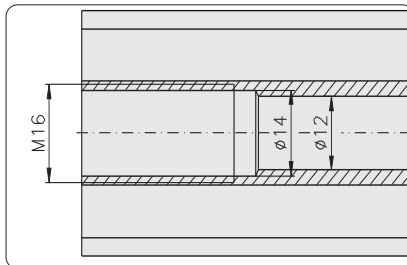
Application

For mounting on front end and fastening of profiles PG 45 heavy, PG 50 and PG 60



Assembly preparation for threaded insert M14/Mxx

- Tap M14 thread in core hole Ø12 mm

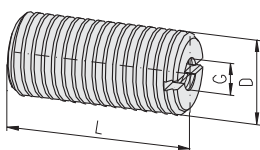


1) Assembly preparation for threaded insert M16/M12

- Drill Ø12 mm core hole to 14 mm
- Tap M16 thread in core hole Ø14 mm

Technical data

material: steel
surface: galvanised



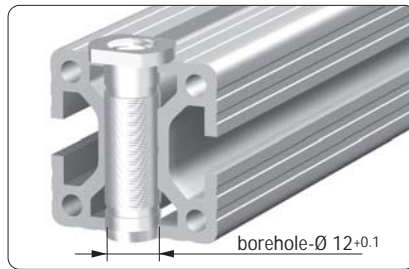
Description	D/G	L	Weight	Article-No.
Threaded insert	M14/M6	15	11 g	1.35.1140615
Threaded insert	M14/M6	30	22 g	1.35.1140630
Threaded insert	M14/M8	15	9 g	1.35.1140815
Threaded insert	M14/M8	30	18 g	1.35.1140830
Threaded insert	M14/M10	15	6 g	1.35.1141015
Threaded insert	M14/M10	30	12 g	1.35.1141030
1) Threaded insert	M16/M12	15	8 g	1.35.1161215
1) Threaded insert	M16/M12	30	16 g	1.35.1161230

Press-fit threaded inserts



Application

For mounting on front end and fastening of any profile with core hole Ø12

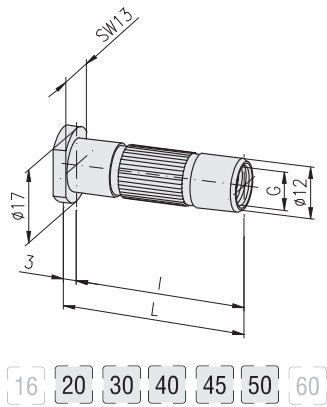


Application

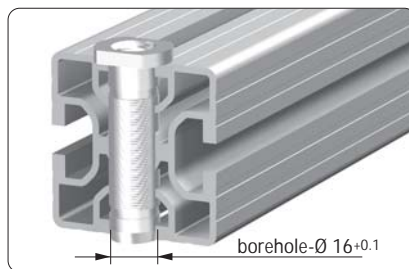
For screw connections across the profile for cross section of 20 mm / 30 mm / 40 mm / 45 mm / 50 mm

Technical data

material: steel
surface: galvanised



Description	G	L	I	Weight	Article-No.
Press-fit threaded insert	Ø12/M8	22.5	19.5	15 g	1.35.608195
Press-fit threaded insert	Ø12/M8	32.5	29.5	20 g	1.35.608295
Press-fit threaded insert	Ø12/M8	42.5	39.5	26 g	1.35.608395
Press-fit threaded insert	Ø12/M8	47.5	44.5	28 g	1.35.608445
Press-fit threaded insert	Ø12/M8	52.5	49.5	31 g	1.35.608495
Press-fit threaded insert	Ø12/M10	22.5	19.5	11 g	1.35.610195
Press-fit threaded insert	Ø12/M10	32.5	29.5	15 g	1.35.610295
Press-fit threaded insert	Ø12/M10	42.5	39.5	18 g	1.35.610395
Press-fit threaded insert	Ø12/M10	47.5	43.5	20 g	1.35.610445
Press-fit threaded insert	Ø12/M10	52.5	49.5	22 g	1.35.610495

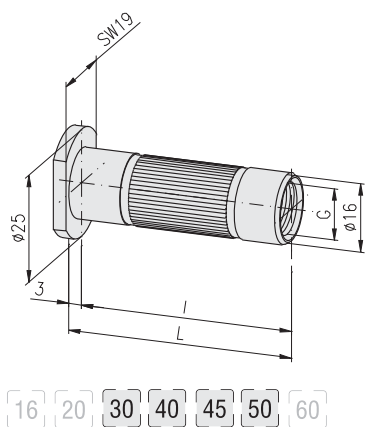


Application

For screw connections across the profile for cross section of 30 mm / 40 mm / 45 mm / 50 mm

Technical data

material: steel
surface: galvanised



Description	G	L	I	Weight	Article-No.
Press-fit threaded insert	Ø16/M14	32.5	29.5	25 g	1.35.614295
Press-fit threaded insert	Ø16/M14	42.5	39.5	30 g	1.35.614395
Press-fit threaded insert	Ø16/M14	47.5	44.5	32 g	1.35.614445
Press-fit threaded insert	Ø16/M14	52.5	49.5	35 g	1.35.614495

**Press-fit threaded inserts
w/o collar**

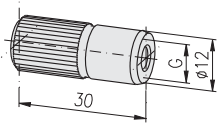


Application

For mounting on front end and fastening of any profile with core hole Ø12

Technical data

material: steel
surface: galvanised



- 16
- 20
- 30
- 40
- 45
- 50
- 60

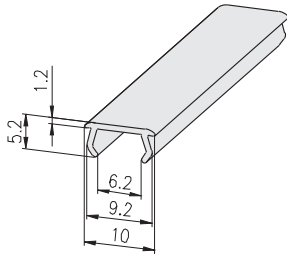
Description	G	Weight	Article-No.
Press-fit threaded insert, w/o collar	Ø12/M6	19 g	1.35.606300
Press-fit threaded insert, w/o collar	Ø12/M8	17 g	1.35.608300

Cover profiles



Application

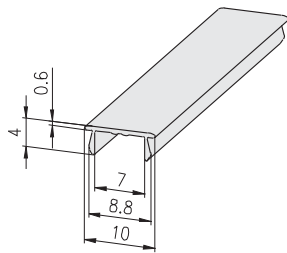
Cover profile with 1.2 mm jutout for the protection of the profile slots



Technical data

- bar length: 2.5 m
- material: PVC rigid
- oil and water resistant
- anti-electrostatic
- lead- and cadmium free

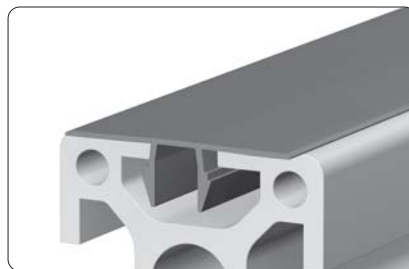
Description	Colour	similar to RAL	Weight	Article-No.
Cover profile 10, PVC, F/E,	grey	7035	85 g/bar	1.41.11.1
Cover profile 10, PVC, F/E,	black	9011	85 g/bar	1.41.11.2
Cover profile 10, PVC, F/E,	yellow	1023	85 g/bar	1.41.11.1023



Technical data

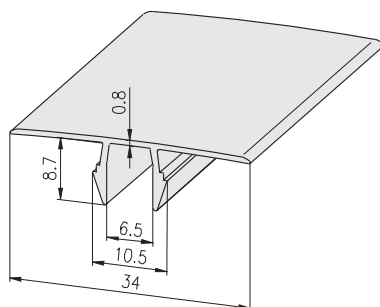
- bar length: 2.5 m
- material: aluminium
- surface: natural anodised

Description	Weight	Article-No.
Cover profile 10, Alu, F/E	67.5 g/bar	1.41.121



Application

Cover profile for the protection of the profile slots
 Dangerous spots can be marked with yellow cover profiles

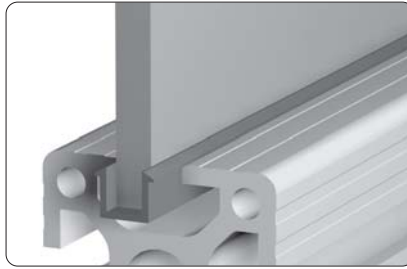


Technical data

- bar length: 2.5 m (grey, black, blue)
- 3.0 m (yellow, orange)
- material: PVC rigid
- oil and water resistant

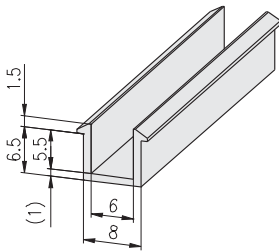
Description	Colour	similar to RAL	bar	Weight	Article-No.
Cover profile 34, PVC, E,	grey	7035	2.5 m	170 g/bar	1.41.15E34.1
Cover profile 34, PVC, E,	black	9011	2.5 m	170 g/bar	1.41.15E34.2
Cover profile 34, PVC, E,	blue	5017	2.5 m	170 g/bar	1.41.15E34.5017
Cover profile 34, PVC, E,	yellow	1003	3.0 m	204 g/bar	1.41.15E34.1003
Cover profile 34, PVC, E,	orange	2004	3.0 m	204 g/bar	1.41.15E34.2004

Reducing profiles PVC



Application

To reduce the slot size from 8 mm to 6 mm

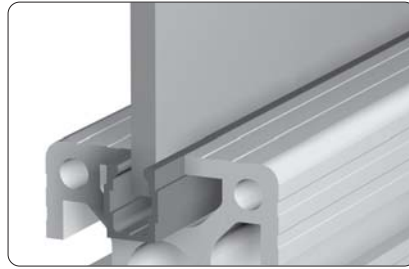


Technical data

- bar length: 2.5 m
- material: PVC rigid
- oil and water resistant
- anti-electrostatic
- lead- and cadmium free

Description	Colour	similar to RAL	Weight	Article-No.
Reducing profile PVC, F/E, 8/6	grey	7035	85 g/bar	1.41.21.1
Reducing profile PVC, F/E, 8/6	black	9011	85 g/bar	1.41.21.2

Combination profiles PVC



Use as reduction profile



Use as slot-cover profile

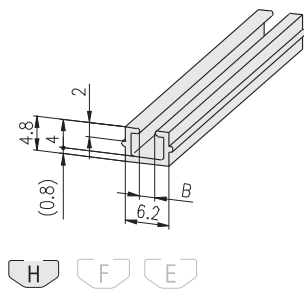
Application

Combination profiles for use as reduction or cover profiles

Technical data

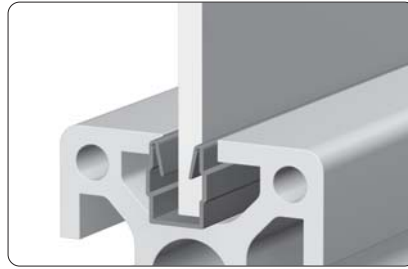
bar length: 2.5 m
 material: PVC rigid
 • oil and water resistant

Colours: grey
 black
 red
 blue
 green



Description	B	Colour	similar to RAL	Weight	Article-No.
Combination profile PVC, H	2	grey	7035	37.5 g/bar	1.41.H02.1
Combination profile PVC, H	2	black	9011	37.5 g/bar	1.41.H02.2
Combination profile PVC, H	2	red	3000	37.5 g/bar	1.41.H02.3000
Combination profile PVC, H	2	blue	5002	37.5 g/bar	1.41.H02.5002
Combination profile PVC, H	2	green	6024	37.5 g/bar	1.41.H02.6024
Combination profile PVC, H	4	grey	7035	35.0 g/bar	1.41.H04.1
Combination profile PVC, H	4	black	9011	35.0 g/bar	1.41.H04.2

Combination profiles



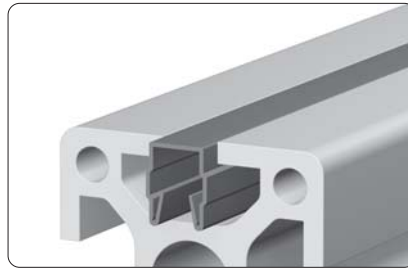
Use as reduction profile

Application

Combination profiles for use as reduction or cover profiles

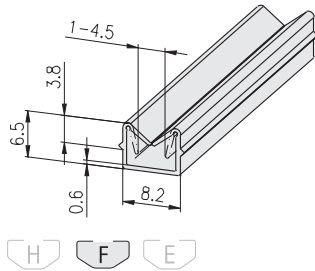
Technical data

bar length: 2.5 m
material: PP
• oil and water resistant

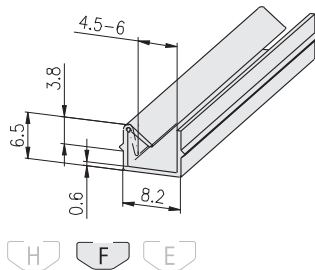


Use as slot-cover profile

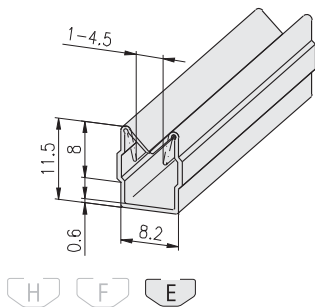
Colours: grey
black
orange
red
blue
green



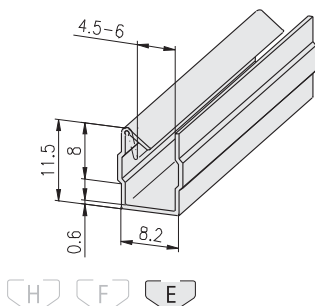
Description	D	Colour	similar to RAL	Weight	Article-No.
Combination profile F	1 - 4.5	grey	7035	31 g/bar	1.41.F14.1
Combination profile F	1 - 4.5	black	9011	31 g/bar	1.41.F14.2



Description	D	Colour	similar to RAL	Weight	Article-No.
Combination profile F	4.5 - 6	grey	7035	28 g/bar	1.41.F46.1
Combination profile F	4.5 - 6	black	9011	28 g/bar	1.41.F46.2
Combination profile F	4.5 - 6	red	3000	28 g/bar	1.41.F46.3000
Combination profile F	4.5 - 6	blue	5002	28 g/bar	1.41.F46.5002
Combination profile F	4.5 - 6	green	6024	28 g/bar	1.41.F46.6024

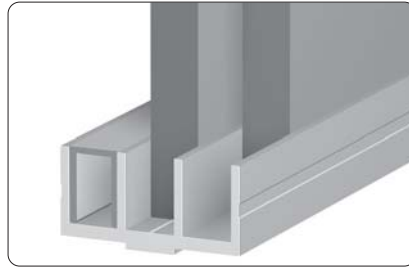


Description	D	Colour	similar to RAL	Weight	Article-No.
Combination profile E	1 - 4.5	grey	7035	47 g/bar	1.41.E314.1
Combination profile E	1 - 4.5	black	9011	47 g/bar	1.41.E314.2

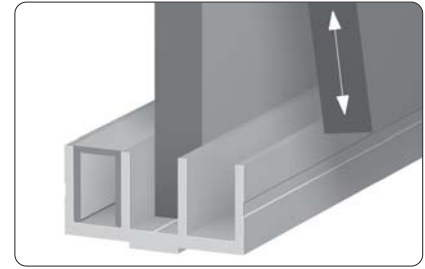


Description	D	Colour	similar to RAL	Weight	Article-No.
Combination profile E	4.5 - 6	grey	7035	42 g/bar	1.41.E346.1
Combination profile E	4.5 - 6	black	9011	42 g/bar	1.41.E346.2
Combination profile E	4.5 - 6	orange	2004	42 g/bar	1.41.E346.2004
Combination profile E	4.5 - 6	red	3000	42 g/bar	1.41.E346.3000
Combination profile E	4.5 - 6	blue	5002	42 g/bar	1.41.E346.5002
Combination profile E	4.5 - 6	green	6024	42 g/bar	1.41.E346.6024

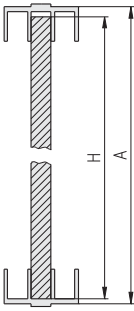
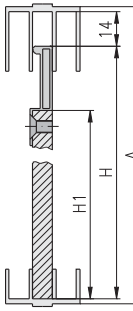
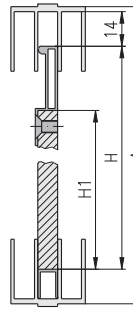
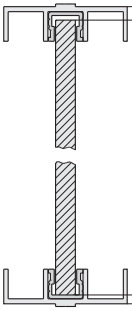
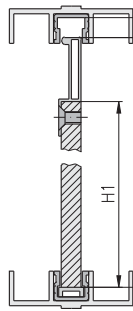
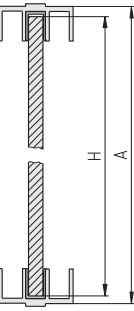
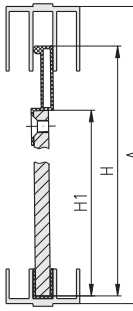
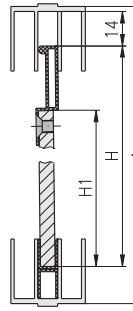
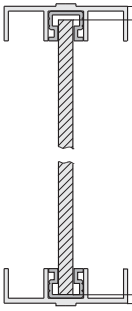
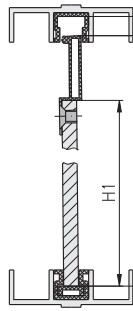
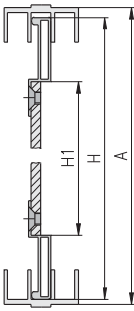
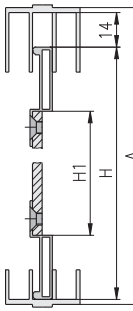
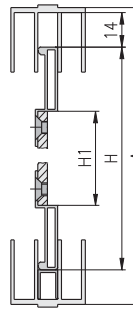
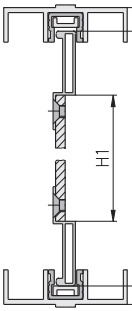
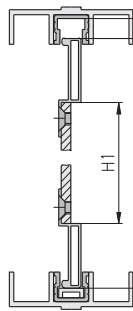
Sliding doors construction types

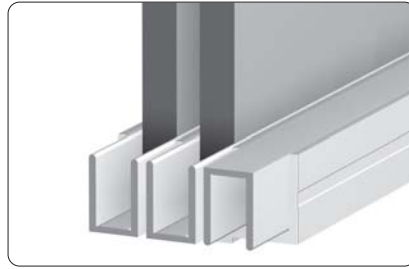


Fixed



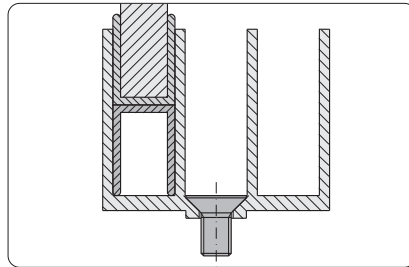
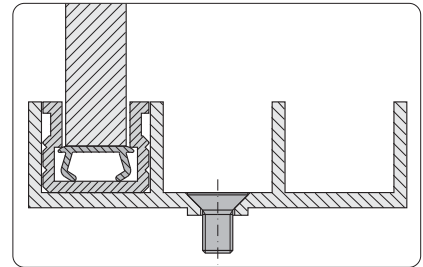
Removable

Profile	Sliding profile 30 mm			Sliding profile 50 mm	
	Fixed	Removable		Fixed	Removable
Type of mounting	Fixed	Removable		Fixed	Removable
Profile above	30×14	30×26	30×26	50×14	50×14
Profile below	30×14	30×14	30×26	50×14	50×14
Panel element 8 mm					
	$H = A - 6$	$H = A - 18$ $H1 = A - 44$	$H = A - 30$ $H1 = A - 56$	$H = A - 9$	$H = A - 19$ $H1 = A - 45$
Panel element 6 mm					
	$H = A - 8$	$H = A - 19$ $H1 = A - 45$	$H = A - 31$ $H1 = A - 57$	$H = A - 9$	$H = A - 19$ $H1 = A - 45$
Panel element 1 - 14 mm					
	$H = A - 6$ $H1 = A - 58$	$H = A - 18$ $H1 = A - 70$	$H = A - 30$ $H1 = A - 82$	$H = A - 17$ $H1 = A - 69$	$H = A - 19$ $H1 = A - 71$

Combination profiles PVC

Application

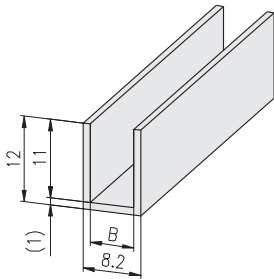
Combination profiles for sliding profiles alternatively suitable as:

- reducing profile
- cover profile
- Inserted plate (only combination profile 1.41.330)

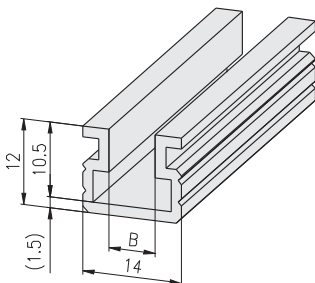

 Inserted plate for sliding profile 30×26:
combination profile 1.41.330

 Inserted plate for sliding profile 50×14:
for sliding profile 1.41.11.1, 1.41.11.2

Technical data

bar length: 2.5 m
 material: PVC rigid
 oil and water resistant
 colour: grey

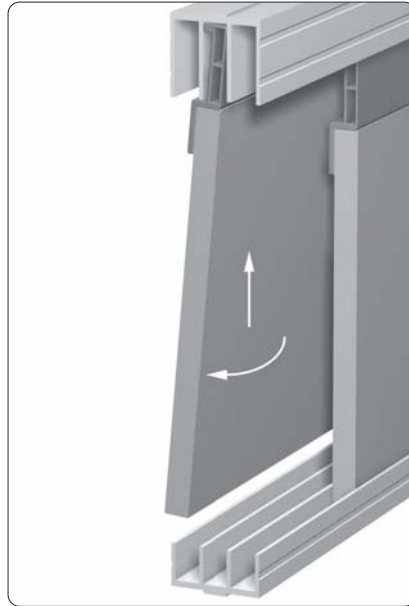


Description	B	Weight	Article-No.
Combination profile PVC for 30×14	6.2	115 g/bar	1.41.330



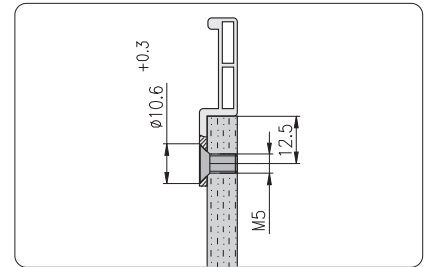
Description	B	Weight	Article-No.
Combination profile PVC for 50×14	6.5	222.5 g/bar	1.41.350
Combination profile PVC for 50×14	9.0	205.0 g/bar	1.41.351

Guide profile PVC

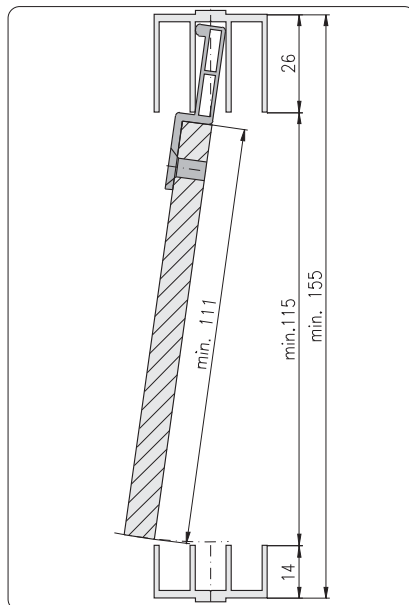


Application

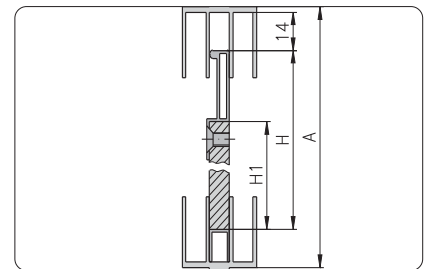
- The guide profile is necessary
- For demountable sliding doors
 - For the use of panel elements of each plate thickness from 1 mm to 14 mm



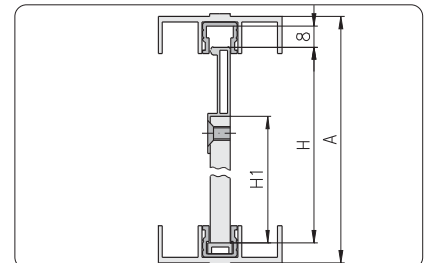
Drill dimensions



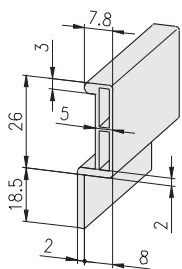
Minimum height for lifting of the panel elements



Use in sliding profile 30x26



Use in sliding profile 50x14 with combination profile



Technical data

- bar length: 2.5 m
 material: PVC rigid
 oil and water resistant
 colour: grey

Description

Guide profile PVC for sliding profile

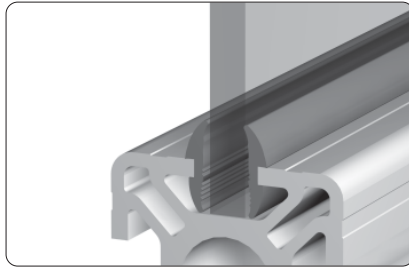
Weight

375 g/bar

Article-No.

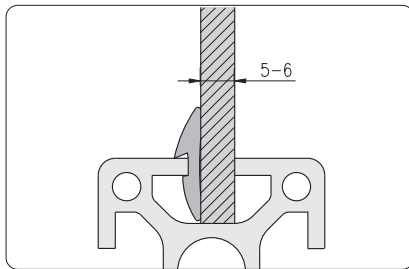
1.41.360

**Framing profiles
one piece**

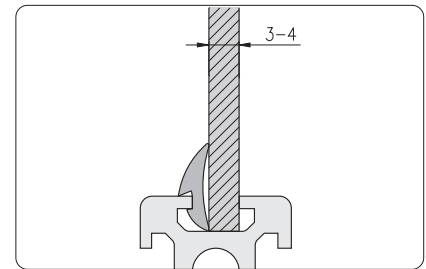


Application

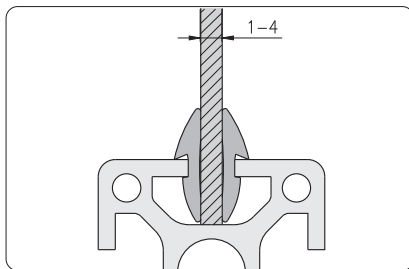
The one piece framing profile for mounting panels of different thickness
The elastic lips provide a good seal



One sided application for profiles with F- and E-slots and panels 5 - 6 mm thick



One sided application for profiles with H-slots and panels 3 - 4 mm thick



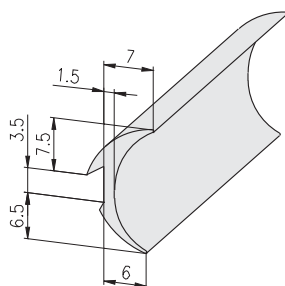
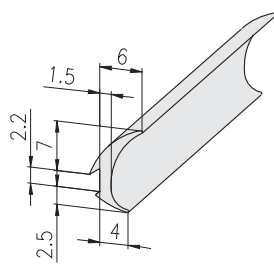
Two sided application for profiles with F- and E-slots and panels 1 - 4 mm thick

Technical data

- length of ring: 60 m
- material: NBR - 60 Shore A
 - compatible with acrylic glass
 - oil and water resistant

Colours

- grey: similar to RAL 7035
- black: similar to RAL 9011



Description	Colour	Weight	Article-No.
Framing profile one piece F	grey ring	2,200 g/ring	1.41.5F0.1.60
Framing profile one piece F	grey cut to length	37 g/m	1.41.5F0.1-A00A00/...
Framing profile one piece F	black ring	2,200 g/ring	1.41.5F0.2.60
Framing profile one piece F	black cut to length	37 g/m	1.41.5F0.2-A00A00/...

/... = length in mm



Description	Colour	Weight	Article-No.
Framing profile one piece E	grey ring	3,120 g/ring	1.41.5E0.1.60
Framing profile one piece E	grey cut to length	52 g/m	1.41.5E0.1-A00A00/...
Framing profile one piece E	black ring	3,120 g/ring	1.41.5E0.2.60
Framing profile one piece E	black cut to length	52 g/m	1.41.5E0.2-A00A00/...

/... = length in mm

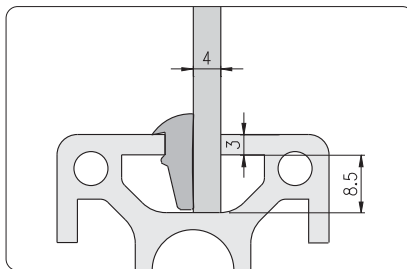
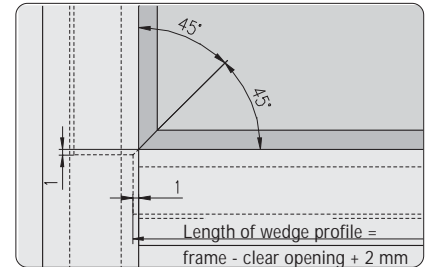
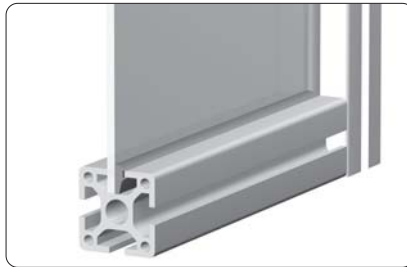


Wedge profiles



Application

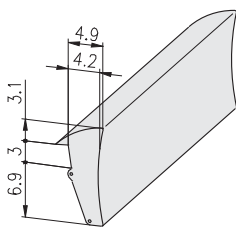
Wedge profiles for sealing or fixing of panel elements with a thickness of 4 mm



E3-slot

Technical data

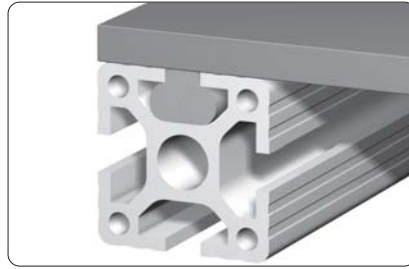
- length of ring: 100 m
- material: Santoprene
- free of silicon
- compatible with acrylic glass



Description	Colour		Weight	Article-No.
Wedge profile E3	grey	ring	5.0 kg/ring	1.41.51E3.1.99
Wedge profile E3	grey	cut to length	50 g/m	1.41.51E3.1-A00A00/...

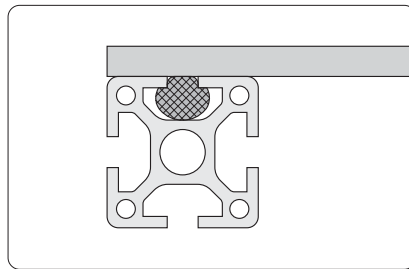
/... = length in mm

Sponge rubber round cords

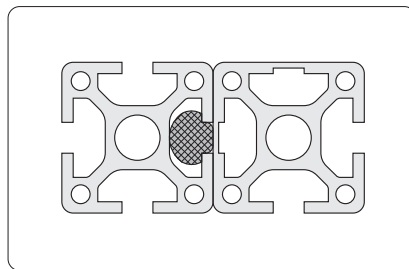


Application

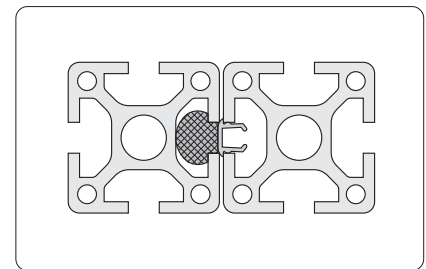
Sponge rubber round cords for sealing



Profile with panel element



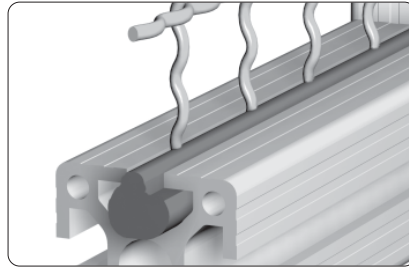
1 profile with slot
1 profile closed



2 profiles with slots
1 profile with slot-cover profile

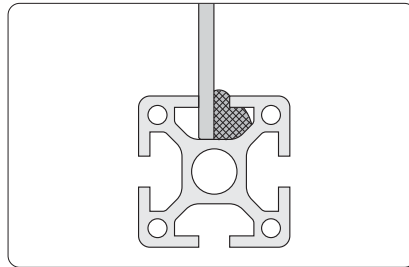
Sponge rubber round cord diameter-determination	
Profile slot	Sponge rubber diameter
H-slot	8 mm
F-slot	12 mm
E-slot	18 mm

Sponge rubber round cords

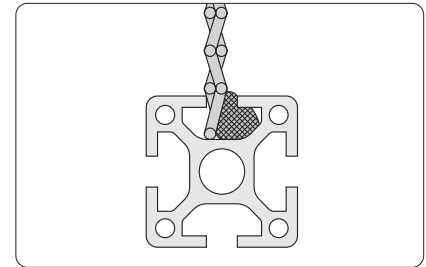


Application

For compensation of slot width on in-between sizes of cover panels



Enclosures with panel materials

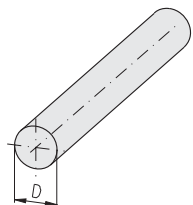


Enclosures with wire screens

Sponge rubber round cord diameter-determination		
Profile slot	Plate thickness	Sponge rubber diameter
H-slot	1 - 3 mm	6 mm
F-slot	1 - 2 mm	10 mm
	3 mm	8 mm
	4 - 5 mm	6 mm
E-slot	1 - 3 mm	10 mm
	3 - 4 mm	2×8 mm
	5 mm	2×6 mm

Technical data

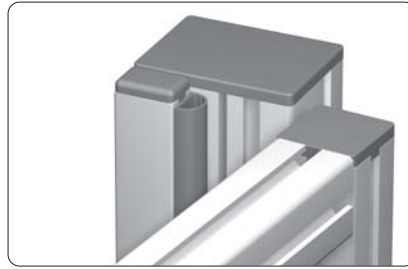
length of ring: 100 m
 material: EPDM
 colour: grey



Description	D	Weight	Article-No.
Sponge rubber round cords	Ø6 ring	1.1 kg/ring	1.41.606.99
Sponge rubber round cords	Ø6 cut to length	11 g/m	1.41.606-A00A00/...
Sponge rubber round cords	Ø8 ring	1.9 kg/ring	1.41.608.99
Sponge rubber round cords	Ø8 cut to length	19 g/m	1.41.608-A00A00/...
Sponge rubber round cords	Ø10 ring	3.2 kg/ring	1.41.610.99
Sponge rubber round cords	Ø10 cut to length	32 g/m	1.41.610-A00A00/...
Sponge rubber round cords	Ø12 ring	4.6 kg/ring	1.41.612.99
Sponge rubber round cords	Ø12 cut to length	46 g/m	1.41.612-A00A00/...
Sponge rubber round cords	Ø18 ring	10.0 kg/ring	1.41.618.99
Sponge rubber round cords	Ø18 cut to length	100 g/m	1.41.618-A00A00/...

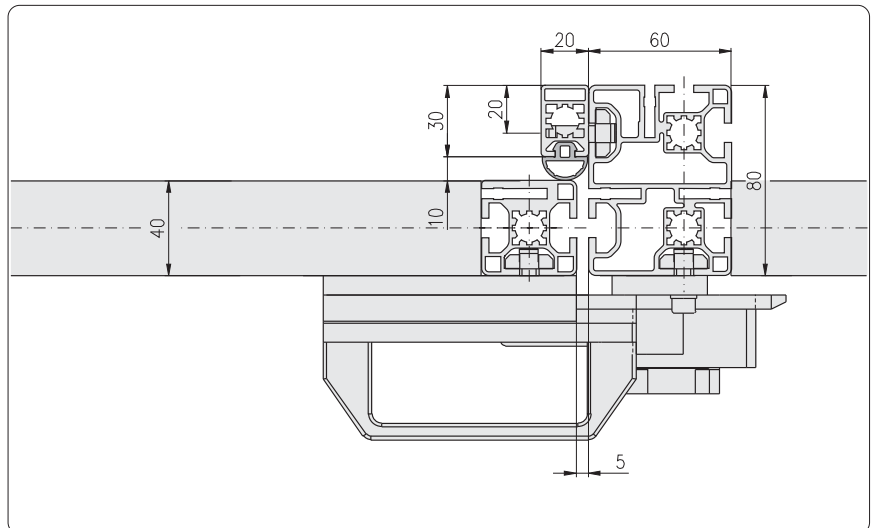
/... = length in mm

Sealing profile



Application

For sealing of doors and windows and for door stops

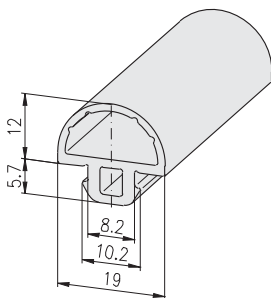


Technical data

length of ring: 40 m

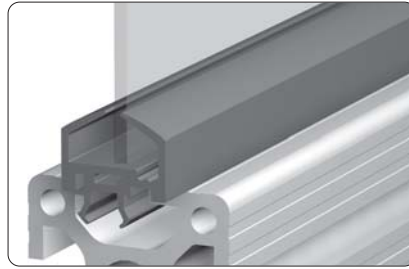
material: EPDM, 60° ± 5° Shore A

- free of silicon
- compatible with acrylic glass



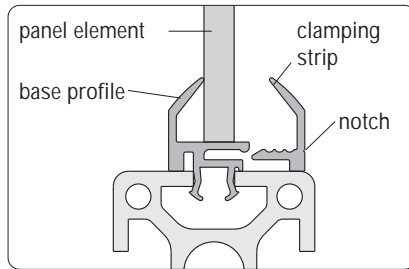
Description	Colour		Weight	Article-No.
Sealing profile F	black	ring	5.12 kg/ring	1.41.6510F.2.40
Sealing profile F	black	cut to length	128 g/m	1.41.6510F.2-A00A00/... /... = length in mm

Framing profiles



Application

The framing profile allows the installation of panels in closed frames

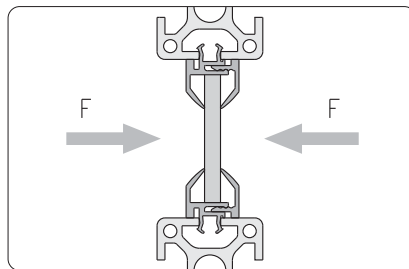


Assembly

1. Insert base profile in profile slot
2. Put panel element in position
3. Push clamping strip in position

Comments

The clamping strip is badged by a notch as a distinctive mark to the base profile



Maximum loading of framing profile:

$$F_{max} = 200 \text{ N/m}$$

For maximum loading of element be aware of the stability of used framing profile

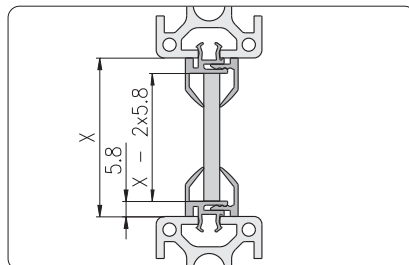
Technical data

bar length: 6 m

material: • base body: PVC rigid, 98° Shore A

• lip: PVC soft, TPE 60° ± 5° Shore A, compatible with acrylic glass

temperature range: -20°C to +80°C



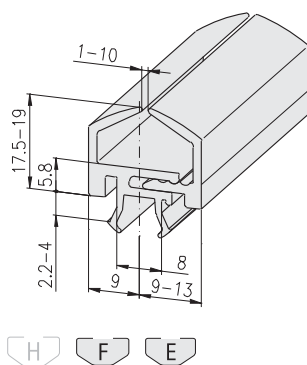
Comments



Suitable for panel elements from 1 to 10 mm thickness

Colours

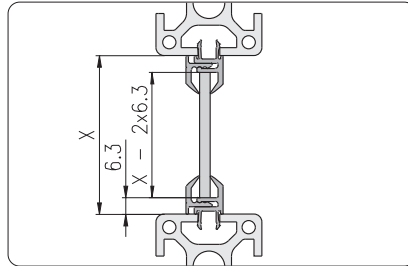
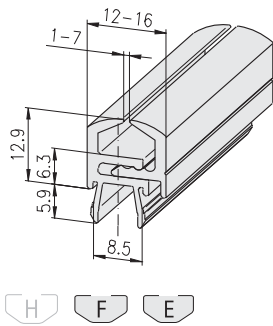
grey: similar to RAL 7035

black: similar to RAL 9011



Description	Colour		Weight	Article-No.
Framing profile F/E	grey	bar	1.1 kg/bar	1.41.710.1.60
 Framing profile F/E	grey	cut to length	181 g/m	1.41.710.1-A00A00/...
Framing profile F/E	black	bar	1.1 kg/bar	1.41.710.2.60
 Framing profile F/E	black	cut to length	181 g/m	1.41.710.2-A00A00/...

/... = length in mm





Comments

Suitable for panel elements from 1 to 7 mm thickness

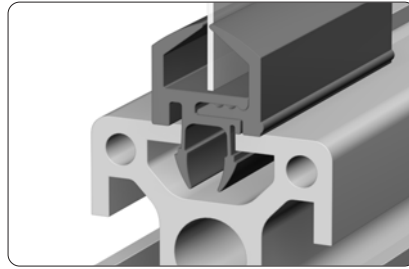
Colours

grey: similar to RAL 7035
black: similar to RAL 9011

Description	Colour	Weight	Article-No.
Framing profile F/E, 1-7 mm	grey bar	960 g/bar	1.41.720107.1.60
 Framing profile F/E, 1-7 mm	grey cut to length	160 g/m	1.41.720107.1-A00A00/...
Framing profile F/E, 1-7 mm	black bar	960 g/bar	1.41.720107.2.60
 Framing profile F/E, 1-7 mm	black cut to length	160 g/m	1.41.720107.2-A00A00/...

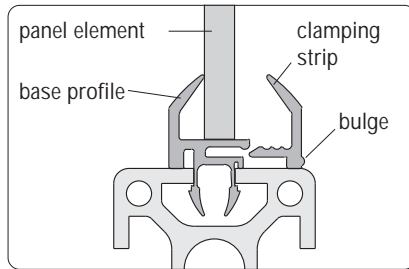
/... = length in mm

Framing profiles



Application

The framing profile allows the installation of panels in closed frames

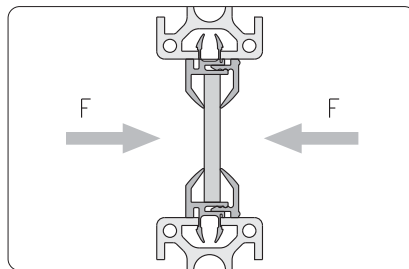


Assembly

1. Insert base profile in profile slot
2. Put panel element in position
3. Push clamping strip in position

Comments

The clamping strip is badged by a bulge as a distinctive mark to the base profile



Maximum loading of framing profile:

$$F_{max} = 200 \text{ N/m}$$

For maximum loading of element be aware of the stability of used framing profile

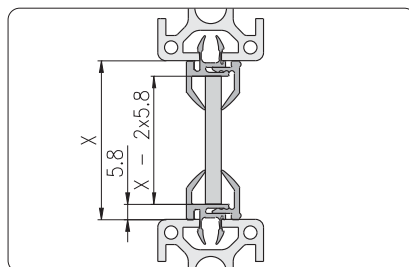
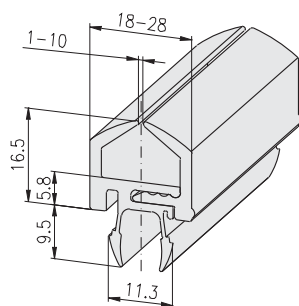
Technical data

bar length: 6 m

material: • base body: PVC rigid, 98° Shore A

• lip: PVC soft, TPE 60° ± 5° Shore A, compatible with acrylic glass

temperature range: -20°C to +80°C





Comments

Suitable for panel elements from 1 to 10 mm thickness

Colours

grey: similar to RAL 7035

black: similar to RAL 9011

Description	Colour		Weight	Article-No.
Framing profile E	grey	bar	1.1 kg/bar	1.41.71E0110.1.60
 Framing profile E	grey	cut to length	181 g/m	1.41.71E0110.1-A00A00/...
Framing profile E	black	bar	1.1 kg/bar	1.41.71E0110.2.60
 Framing profile E	black	cut to length	181 g/m	1.41.71E0110.2-A00A00/...

/... = length in mm

Rubber cover-profiles



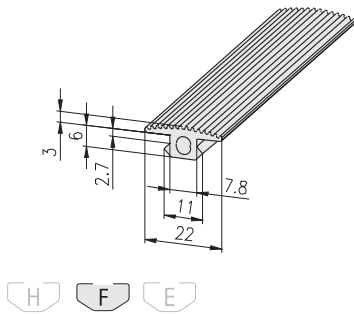
Application

Rubber cover-profiles for profile protection
Suitable for:

- door stop
- slide prevention on steps
- protection against damage
- handrails
- pads

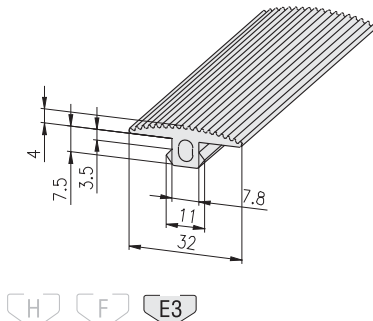
Technical data

length of ring: 20 m
material: NBR, hardness 80 Shore A
oil and water resistant
colour: black



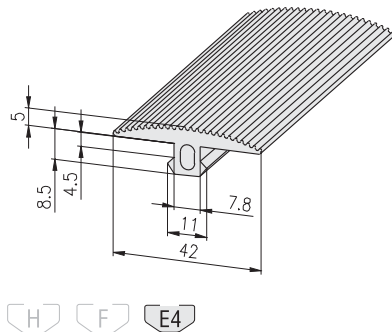
Description

Description	Weight	Article-No.
Rubber cover-profile F, black ring	2.4 kg/ring	1.41.8F30.20
Rubber cover-profile F, black cut to length	120 g/m	1.41.8F30-A00A00/... /... = length in mm



Description

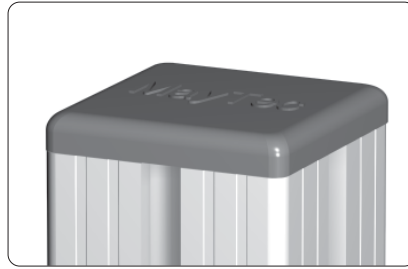
Description	Weight	Article-No.
Rubber cover-profile E3, black ring	4.4 kg/ring	1.41.8E40.20
Rubber cover-profile E3, black cut to length	220 g/m	1.41.8E40-A00A00/... /... = length in mm



Description

Description	Weight	Article-No.
Rubber cover-profile E4, black ring	6.4 kg/ring	1.41.8E50.20
Rubber cover-profile E4, black cut to length	320 g/m	1.41.8E50-A00A00/... /... = length in mm

Cover caps



Application

Cover caps prevent dirt from entering and avoid lacerations.

Technical data

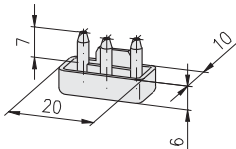
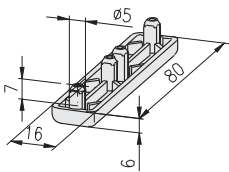
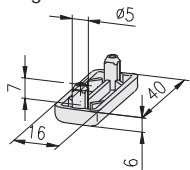
material: PA-GF
temperature range: -20°C to +85°C

Comments

Before mounting debur core hole

for profiles without core hole

Rectangle



Description

Cover cap 16×40, E
only for E-Slot

Colour

black

Weight

3.9 g

Article-No.

1.42.09016040.2

Description

Cover cap 16×80, E
Cover cap 16×80, E
only for E-Slot

Colour

grey

Weight

7.1 g

Article-No.

1.42.09016080.1

black

7.1 g

1.42.09016080.2

Description

Cover cap 20×10

Colour

black

Weight

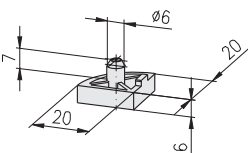
2 g

Article-No.

1.42.20201.2

for profiles with core hole-Ø6

Soft



Description

Cover cap 20×20

Colour

grey

Weight

3 g

Article-No.

1.42.10200.1

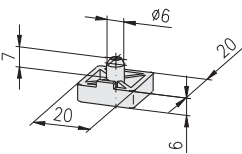
Cover cap 20×20

black

3 g

1.42.10200.2

Square



Description

Cover cap 20×20

Colour

grey

Weight

3 g

Article-No.

1.42.10202.1

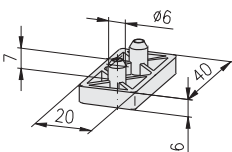
Cover cap 20×20

black

3 g

1.42.10202.2

Rectangle



Description

Cover cap 20×40

Colour

grey

Weight

6 g

Article-No.

1.42.10204.1

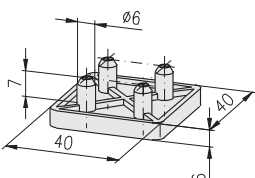
Cover cap 20×40

black

6 g

1.42.10204.2

Square



Description

Cover cap 40×40

Colour

black

Weight

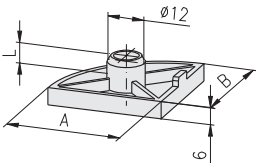
6 g

Article-No.

1.42.10404.2

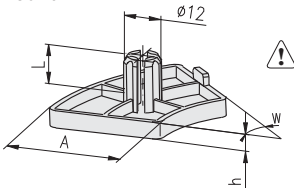
for profiles with core hole-Ø12

Soft



Description	AxB	L	Colour	Weight	Article-No.
Cover cap	30x30	7	grey	5 g	1.42.20300.1
Cover cap	30x30	7	black	5 g	1.42.20300.2
Cover cap	40x40	7	grey	8 g	1.42.20400.1
Cover cap	40x40	7	black	8 g	1.42.20400.2
Cover cap	45x45	14	black	10 g	1.42.2045000.2
Cover cap	50x50	7	grey	12 g	1.42.20500.1
Cover cap	50x50	7	black	12 g	1.42.20500.2

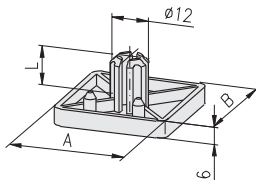
Round



note "h" !

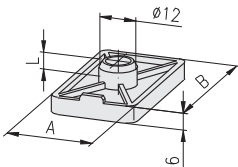
Description	A	W	h	L	Colour	Weight	Article-No.
Cover cap	40, round 30°	4	14		black	6 g	1.42.2040R30.2
Cover cap	40, round 45°	6	14		black	8 g	1.42.2040R45.2
Cover cap	40, round 60°	6	14		black	12 g	1.42.2040R60.2
Cover cap	40, round 90°	6	14		black	16 g	1.42.2040R90.2

Square

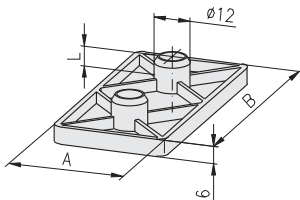


Description	AxB	L	Colour	Weight	Article-No.
Cover cap	30x30	14	grey	6 g	1.42.20303.1
Cover cap	30x30	14	black	6 g	1.42.20303.2
Cover cap	40x40	14	grey	10 g	1.42.20404.1
Cover cap	40x40	14	black	10 g	1.42.20404.2
Cover cap	45x45	14	black	12 g	1.42.2045045.2
Cover cap	50x50	7	grey	15 g	1.42.20505.1
Cover cap	50x50	7	black	15 g	1.42.20505.2
Cover cap	60x60	14	black	18 g	1.42.2060060.2

Rectangle

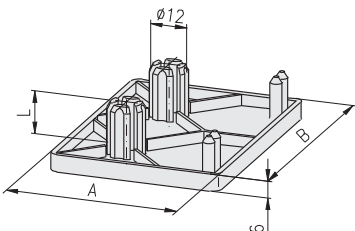


Description	AxB	L	Colour	Weight	Article-No.
Cover cap	20x30	7	black	4 g	1.42.20203.2
Cover cap	30x50	7	grey	8 g	1.42.20305.1
Cover cap	30x50	7	black	8 g	1.42.20305.2
Cover cap	45x60	14	black	12.1 g	1.42.2045060.2



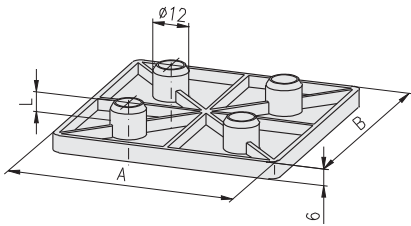
Description	AxB	L	Colour	Weight	Article-No.
Cover cap	30x60	7	grey	8 g	1.42.20306.1
Cover cap	30x60	7	black	8 g	1.42.20306.2
Cover cap	30x100	7	black	20 g	1.42.20310.2
1) Cover cap	30x150	7	black	27 g	1.42.20315.2
Cover cap	40x80	7	grey	18 g	1.42.20408.1
Cover cap	40x80	7	black	18 g	1.42.20408.2
Cover cap	45x90	14	black	20.5 g	1.42.2045090.2
Cover cap	50x100	7	grey	26 g	1.42.20510.1
Cover cap	50x100	7	black	26 g	1.42.20510.2
Cover cap	50x150	7	black	40 g	1.42.20515.2
Cover cap	60x90	14	black	25.9 g	1.42.2060090.2

1) only for E-Slot



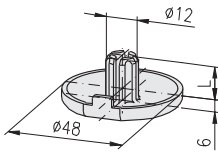
Description	AxB	L	Colour	Weight	Article-No.
Cover cap	60x80	14	black	21.4 g	1.42.2060080.2

Square



Description	A×B	L	Colour	Weight	Article-No.
Cover cap	80×80	7	black	34 g	1.42.20808.2
Cover cap	90×90	14	black	42 g	1.42.2090090.2
Cover cap	100×100	7	black	52 g	1.42.21010.2

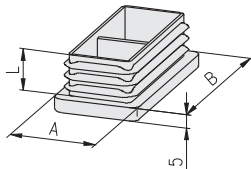
Ø48 for hand rail profile



C **Technical data**
material: PA-GF

Description	L	Colour	Weight	Article-No.
Cover cap Ø48 for hand rail profile	14	grey	1.8 g	1.42.2048R00.1
Cover cap Ø48 for hand rail profile	14	black	1.8 g	1.42.2048R00.2

for tube profile

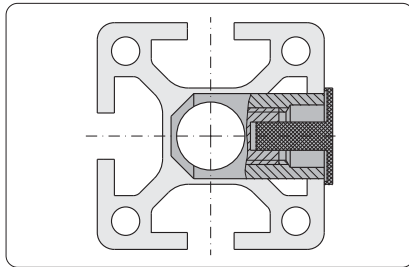


Description	A×B	L	Colour	Weight	Article-No.
Cover cap	30×60 for tube profile	14.5	black	10.2 g	1.42.217.030060.2
Cover cap	30×100 for tube profile	14.5	black	17.7 g	1.42.217.030100.2

Cover plugs



Cover plug in combination with cover profile

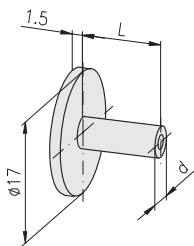


Application

The cover plug allows the closing of the connector cross bushing bore

Technical data

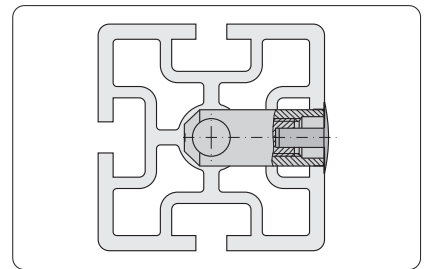
material: PE



Description	Colour	L	d	Weight	Article-No.
Cover plug 20	grey	3.5	Ø4.3	2 g	1.42.502.1
Cover plug 20	black	3.5	Ø4.3	2 g	1.42.502.2
Cover plug 30	grey	6.0	Ø5.3	3 g	1.42.503.1
Cover plug 30	black	6.0	Ø5.3	3 g	1.42.503.2
Cover plug 40	grey	11.0	Ø5.3	4 g	1.42.504.1
Cover plug 40	black	11.0	Ø5.3	4 g	1.42.504.2
Cover plug 50	grey	16.0	Ø5.3	5 g	1.42.505.1
Cover plug 50	black	16.0	Ø5.3	5 g	1.42.505.2

Cover plugs domed

C

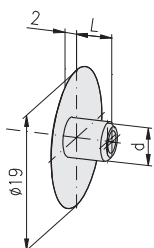


Application

The cover plug allows the closing of the connector cross bushing bore

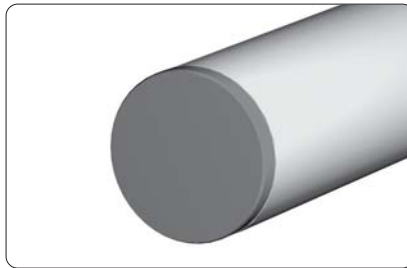
Technical data

material: PE



Description	Colour	L	d	Weight	Article-No.
Cover plug 20 domed	grey	3.5	Ø4.3	0.2 g	1.42.5120.1
Cover plug 20 domed	black	3.5	Ø4.3	0.2 g	1.42.5120.2
Cover plug 30 domed	grey	6.0	Ø5.3	0.3 g	1.42.5130.1
Cover plug 30 domed	black	6.0	Ø5.3	0.3 g	1.42.5130.2
Cover plug 40 domed	grey	11.0	Ø5.3	0.4 g	1.42.5140.1
Cover plug 40 domed	black	11.0	Ø5.3	0.4 g	1.42.5140.2
Cover plug 45 domed	grey	12.5	Ø5.3	0.4 g	1.42.5145.1
Cover plug 45 domed	black	12.5	Ø5.3	0.4 g	1.42.5145.2
Cover plug 50 domed	grey	15.0	Ø5.3	0.5 g	1.42.5150.1
Cover plug 50 domed	black	15.0	Ø5.3	0.5 g	1.42.5150.2
Cover plug 60 domed	grey	20.0	Ø5.3	0.7 g	1.42.5160.1
Cover plug 60 domed	black	20.0	Ø5.3	0.7 g	1.42.5160.2

Cover caps for tubes

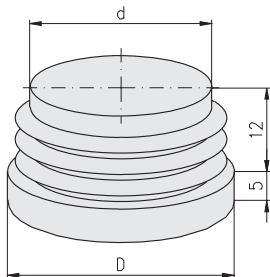


Application

The cover cap allows the closing of the aluminium tube (inner tube $\varnothing = d$)

Technical data

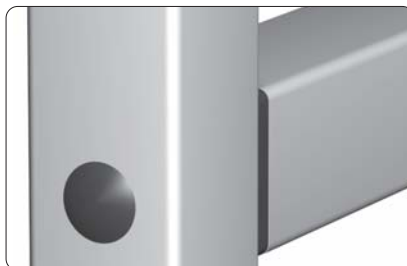
material: PE



Description	D	Colour	d	Weight	Article-No.
Tube cover cap	Ø20	grey	Ø16	1.8 g	1.42.6020.1
Tube cover cap	Ø20	black	Ø16	1.8 g	1.42.6020.2
Tube cover cap	Ø30	grey	Ø24	3.4 g	1.42.6030.1
Tube cover cap	Ø30	black	Ø24	3.4 g	1.42.6030.2
Tube cover cap	Ø40	grey	Ø32	5.3 g	1.42.6040.1
Tube cover cap	Ø40	black	Ø32	5.3 g	1.42.6040.2

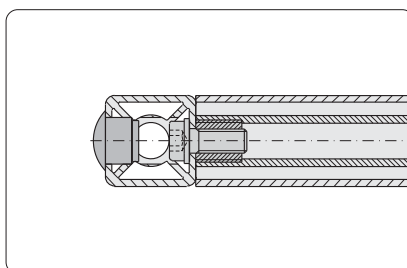
Cover caps for screw bores

C

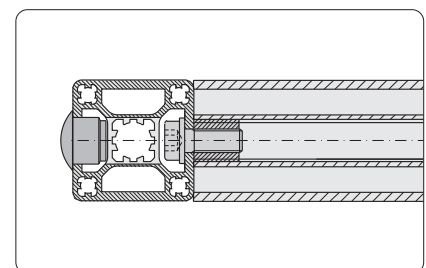


Application

The cover plug allows the closing of the screw bore



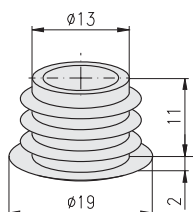
Profile 30



Profile 40

Technical data

material: PE



Description	Colour	Weight	Article-No.
Cover plug	Ø15 grey	1.3 g	1.42.6114.1
Cover plug	Ø15 black	1.3 g	1.42.6114.2

Radius covers

C

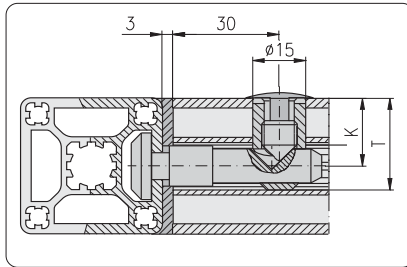


Application

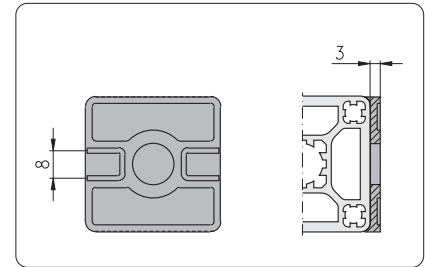
For covering the exterior profile radius

Technical data

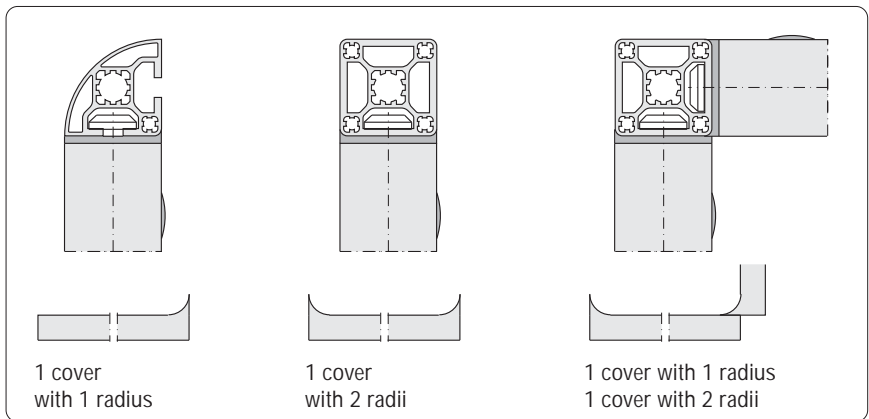
material: PA-GF



Drill dimensions by use of radius covers (dimensions K, T → connector-cross bushings 1.2B)



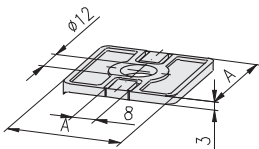
For mounting of panels the slots can be broken out



Mounting-Variations

Square

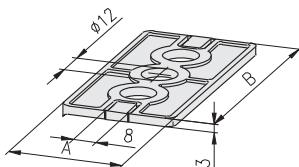
with one radius



Description	A	Colour	Weight	Article-No.
Radius cover 1R	30	grey	3.1 g	1.43.10030030.1
Radius cover 1R	30	black	3.1 g	1.43.10030030.2
Radius cover 1R	40	grey	6.1 g	1.43.10040040.1
Radius cover 1R	40	black	6.1 g	1.43.10040040.2
Radius cover 1R	45	grey	5.4 g	1.43.10045045.1
Radius cover 1R	45	black	5.4 g	1.43.10045045.2

Rectangle

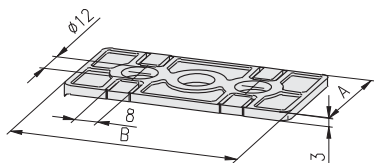
with one radius



Description	A	B	Colour	Weight	Article-No.
Radius cover 1R	30	60	grey	5.8 g	1.43.10030060.1
Radius cover 1R	30	60	black	5.8 g	1.43.10030060.2
Radius cover 1R	40	80	grey	11.8 g	1.43.10040080.1
Radius cover 1R	40	80	black	11.8 g	1.43.10040080.2
Radius cover 1R	45	90	grey	10.7 g	1.43.10045090.1
Radius cover 1R	45	90	black	10.7 g	1.43.10045090.2

Rectangle 90°

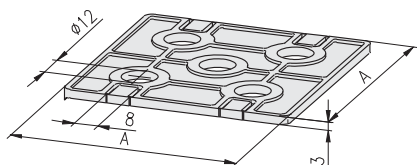
with one radius



Description	A	B	Colour	Weight	Article-No.
Radius cover 1R	30	60	grey	5.8 g	1.43.11030060.1
Radius cover 1R	30	60	black	5.8 g	1.43.11030060.2
Radius cover 1R	40	80	grey	11.8 g	1.43.11040080.1
Radius cover 1R	40	80	black	11.8 g	1.43.11040080.2
Radius cover 1R	45	90	grey	10.8 g	1.43.11045090.1
Radius cover 1R	45	90	black	10.8 g	1.43.11045090.2

Square

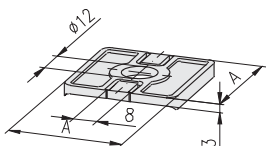
with one radius



Description	A	Colour	Weight	Article-No.
Radius cover 1R	60	grey	12.0 g	1.43.10060060.1
Radius cover 1R	60	black	12.0 g	1.43.10060060.2
Radius cover 1R	80	grey	24.0 g	1.43.10080080.1
Radius cover 1R	80	black	24.0 g	1.43.10080080.2

Square

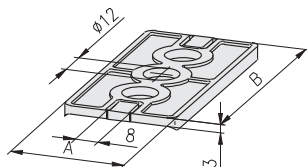
with two radii



Description	A	Colour	Weight	Article-No.
Radius cover 2R	30	grey	3.2 g	1.43.20030030.1
Radius cover 2R	30	black	3.2 g	1.43.20030030.2
Radius cover 2R	40	grey	6.3 g	1.43.20040040.1
Radius cover 2R	40	black	6.3 g	1.43.20040040.2
Radius cover 2R	45	grey	5.6 g	1.43.20045045.1
Radius cover 2R	45	black	5.6 g	1.43.20045045.2

Rectangle

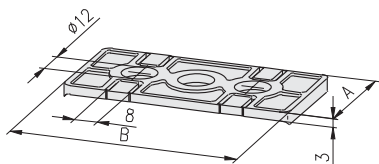
with two radii



Description	A	B	Colour	Weight	Article-No.
Radius cover 2R	30	60	grey	6.0 g	1.43.20030060.1
Radius cover 2R	30	60	black	6.0 g	1.43.20030060.2
Radius cover 2R	40	80	grey	12.0 g	1.43.20040080.1
Radius cover 2R	40	80	black	12.0 g	1.43.20040080.2
Radius cover 2R	45	90	grey	10.9 g	1.43.20045090.1
Radius cover 2R	45	90	black	10.9 g	1.43.20045090.2

Rectangle 90°

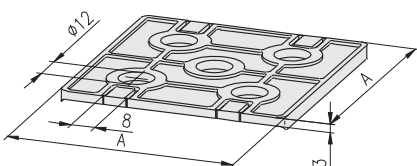
with two radii



Description	A	B	Colour	Weight	Article-No.
Radius cover 2R	30	60	grey	6.0 g	1.43.21030060.1
Radius cover 2R	30	60	black	6.0 g	1.43.21030060.2
Radius cover 2R	40	80	grey	12.0 g	1.43.21040080.1
Radius cover 2R	40	80	black	12.0 g	1.43.21040080.2
Radius cover 2R	45	90	grey	11.0 g	1.43.21045090.1
Radius cover 2R	45	90	black	11.0 g	1.43.21045090.2

Square

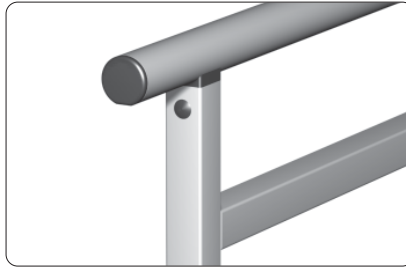
with two radii



Description	A	Colour	Weight	Article-No.
Radius cover 2R	60	grey	12.0 g	1.43.20060060.1
Radius cover 2R	60	black	12.0 g	1.43.20060060.2
Radius cover 2R	80	grey	24.0 g	1.43.20080080.1
Radius cover 2R	80	black	24.0 g	1.43.20080080.2

Radius compensations

C

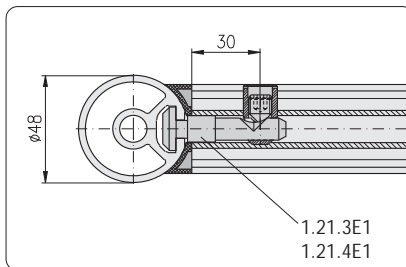
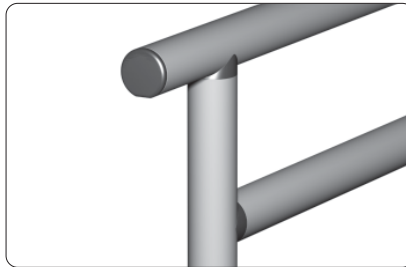


Application

Radius compensation for hand rails
 ↗ Profile applications 1.1E.03

Comments

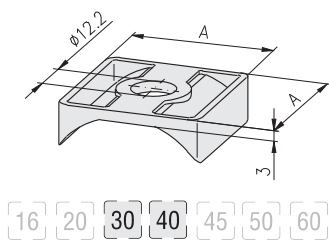
Angled joints at any required angle
 Not suitable for the use with tilted hand rails



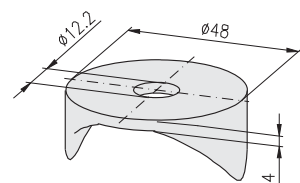
Working dimensions for hand rail straight with radius compensation

Technical data

material: PA-GF

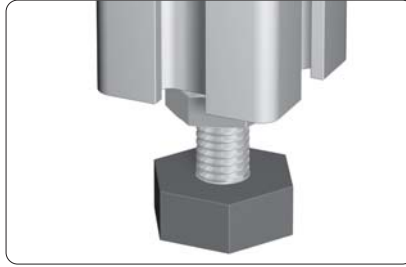


Description	A×A	Colour	Weight	Article-No.
Radius compensations	30×30	grey	4.0 g	1.43.71030030.1
Radius compensations	30×30	black	4.0 g	1.43.71030030.2
Radius compensations	40×40	grey	7.0 g	1.43.71040040.1
Radius compensations	40×40	black	7.0 g	1.43.71040040.2



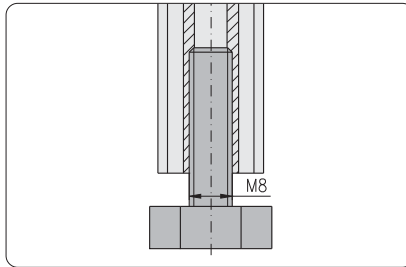
Description	Colour	Weight	Article-No.
Radius compensations Ø48	grey	4.0 g	1.43.71048000.1
Radius compensations Ø48	black	4.0 g	1.43.71048000.2

Levelling feet

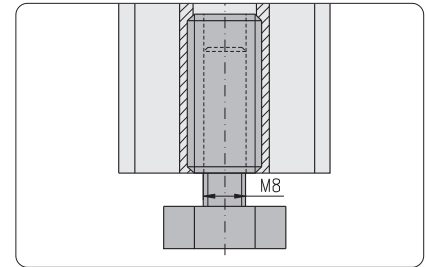


Assembly

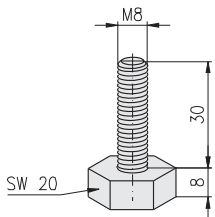
Fastening in core hole $\varnothing 6$ mm with thread M8



Fastening in core hole $\varnothing 6$ mm with thread M8



Fastening in core hole $\varnothing 12$ with threaded insert M14/M8



Technical data

material:
 • plate: PE-HD
 • screw: steel, galvanised
 max. static load: 2,500 N

Description

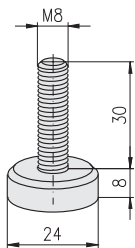
Floor levelling screw, SW20, M8x30

Weight

20 g

Article-No.

1.44.002003



Technical data

material:
 • plate: PE-HD
 • screw: steel, galvanised
 max. static load: 2,500 N

Description

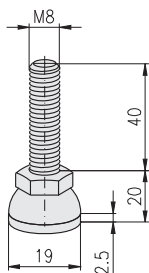
Floor levelling screw, $\varnothing 24$, M8x30

Weight

22 g

Article-No.

1.44.002403



Technical data

material:
 • foot plate: PA, black
 • threaded bolt: steel, galvanised
 max. static load: 500 N
 with anti-slip-disc

Description

Levelling foot, PA, 20 M8x40

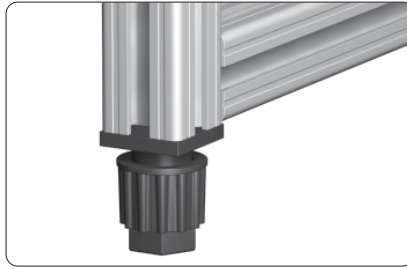
Weight

24 g

Article-No.

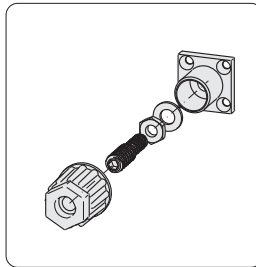
1.44.003020

Hand adjustable feet

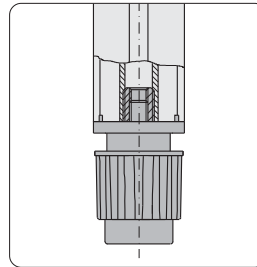


Application

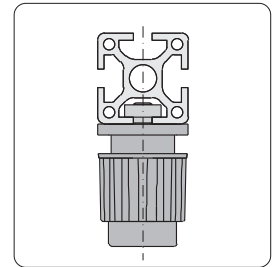
For manual levelling of benches, tables and light bases.



Height adjustable alternative by hand or with tool



Fastening in core hole

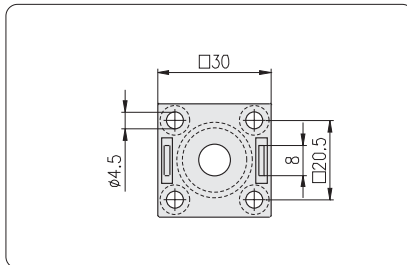
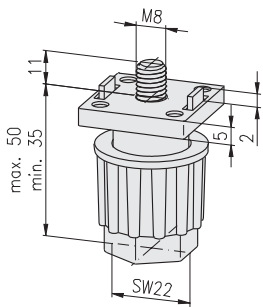


Fastening in slot

Technical data

material:

- capsule: PA, black
 - spindle, nut and washer: steel galvanised
- max. static load: 1,500 N



Description

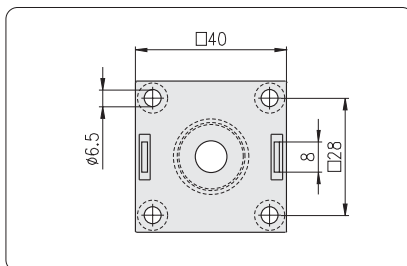
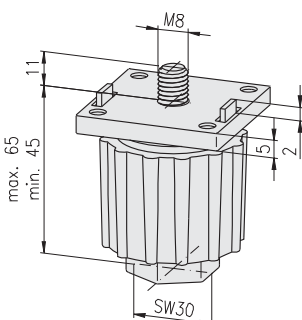
Hand adjustable foot 30

Weight

40 g

Article-No.

1.44.203008



Description

Hand adjustable foot 40

Weight

78 g

Article-No.

1.44.204008

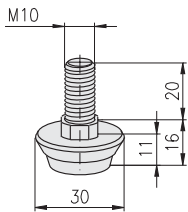
Levelling feet



Assembly

Fastening in core hole with threaded insert M14/M10

For profiles with core hole-Ø 12 mm



Technical data

material:

- foot plate: PA, black
 - cap: steel, galvanised
 - screw thread: steel, galvanised
- max. static load: 1,500 N

Description

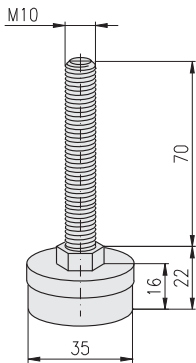
Levelling furniture foot, Ø30, M10×18

Weight

Article-No.

24 g

1.44.303002



Technical data

material:

- foot plate: PA, black
 - cap: steel, galvanised
 - screw thread: steel, galvanised
- max. static load: 1,500 N

Description

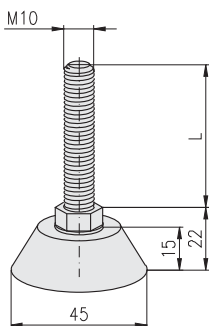
Levelling foot, Ø35, M10×70

Weight

Article-No.

70 g

1.44.303507



Technical data

material:

- foot plate: PA, black
 - screw thread: steel, galvanised
- max. static load: 1,500 N

Description

L

Weight

Article-No.

Levelling foot, Ø45, M10×50

60 g

1.44.304505

Levelling foot, Ø45, M10×70

69 g

1.44.304507

Adjustable tilt-feet



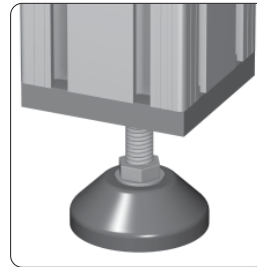
Application

Adjustable tilt-feet for gradual height adjustment of sub-assemblies such as:

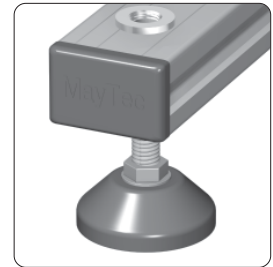
- tables
- bases
- shelves
- stands



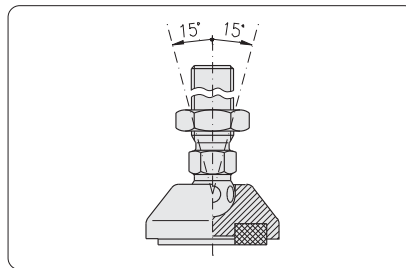
Fastening in core hole thread M14



Fastening with base plate, for profiles without centric core hole



Fastening by press-fit threaded insert across the profile

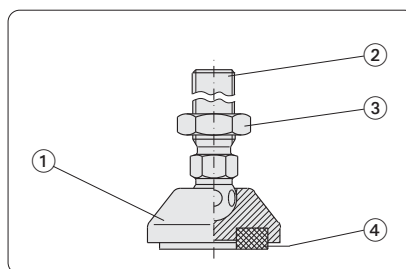


Levelling via ball and ball socket $\pm 15^\circ$

Comments

Infinitely variable adjustable tilt-feet for use either with:

- anti-slip disc
- cushion element



Adjustable tilt-feet - Single parts						
Pos.	Description	Material				
		PA	GD-Zn	Steel	Stainl. steel 1.4305	NBR
	Adjustable tilt-foot-					
①	plate	•	•		•	
②	spindle			•	•	
③	nut			•	•	
④	anti-slip disc cushion element					• •

Adjustable tilt-foot plates without mounting holes



Technical data

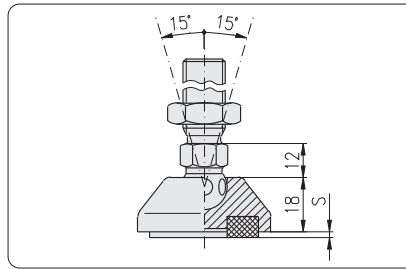
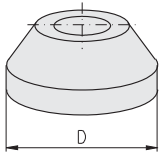
material:

PA: PA-GF, black

GD-Zn: GD-Zn, black powder-coated

stainless: stainless steel 1.4305

F = static load max. in kN



Design without mounting holes

S = height of:

- anti-slip disc (S = 2 mm)
- cushion element (S = 10 mm)

PA

Description	D	F	Weight	Article-No.
Adjustable tilt-foot plate PA, 30	Ø29	5 kN	8 g	1.44.411030
Adjustable tilt-foot plate PA, 40	Ø39	9 kN	13 g	1.44.411040
Adjustable tilt-foot plate PA, 45	Ø44	9 kN	15 g	1.44.411045
Adjustable tilt-foot plate PA, 50	Ø49	9 kN	16 g	1.44.411050
Adjustable tilt-foot plate PA, 60	Ø59	9 kN	22 g	1.44.411060

GD-Zn

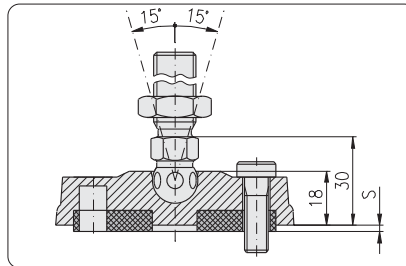
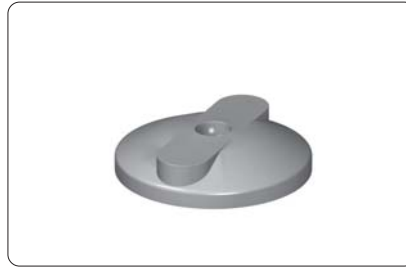
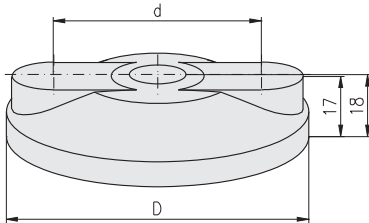
Adjustable tilt-foot plate GD-Zn, 30	Ø29	20 kN	48 g	1.44.431030
Adjustable tilt-foot plate GD-Zn, 40	Ø39	30 kN	70 g	1.44.431040
Adjustable tilt-foot plate GD-Zn, 45	Ø44	30 kN	90 g	1.44.431045
Adjustable tilt-foot plate GD-Zn, 50	Ø49	30 kN	126 g	1.44.431050
Adjustable tilt-foot plate GD-Zn, 60	Ø59	30 kN	160 g	1.44.431060
Adjustable tilt-foot plate GD-Zn, 80	Ø79	30 kN	260 g	1.44.431080
Adjustable tilt-foot plate GD-Zn, 100	Ø99	35 kN	400 g	1.44.431100
Adjustable tilt-foot plate GD-Zn, 120	Ø119	35 kN	584 g	1.44.431120

Stainless steel



Adjustable tilt-foot plate, 30	Ø29	20 kN	62 g	1.44.431030V
Adjustable tilt-foot plate, 40	Ø39	30 kN	99 g	1.44.431040V
Adjustable tilt-foot plate, 45	Ø44	30 kN	123 g	1.44.431045V
Adjustable tilt-foot plate, 50	Ø49	35 kN	158 g	1.44.431050V
Adjustable tilt-foot plate, 60	Ø59	35 kN	218 g	1.44.431060V
Adjustable tilt-foot plate, 80	Ø79	35 kN	380 g	1.44.431080V
Adjustable tilt-foot plate, 100	Ø99	40 kN	605 g	1.44.431100V
Adjustable tilt-foot plate, 120	Ø119	40 kN	844 g	1.44.431120V

Adjustable tilt-foot plates with mounting holes



Design with mounting holes

Technical data

material:
PA: PA-GF, black
F = static load max. in kN

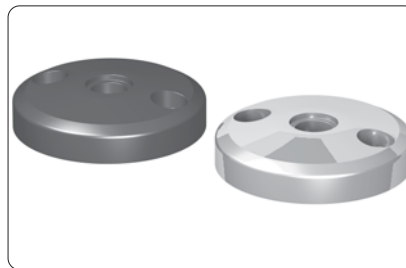
Comments

The holes for fastening screws are closed on the upper side and can be bored open if required.

- S = height of:
- anti-slip disc (S = 2 mm)
 - cushion element (S = 10 mm)

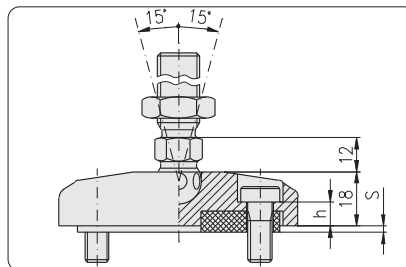
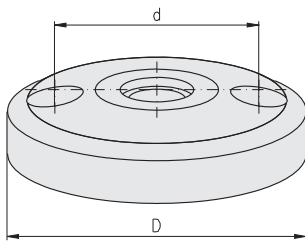
PA

Description	D	d	F	Weight	Article-No.
Adjustable tilt-foot plate PA, 80	Ø79	Ø54	9 kN	46 g	1.44.411080
Adjustable tilt-foot plate PA, 100	Ø99	Ø74	9 kN	86 g	1.44.411100
Adjustable tilt-foot plate PA, 120	Ø119	Ø94	9 kN	104 g	1.44.411120



Technical data

material:
GD-Zn: GD-Zn, black powder-coated
stainless: stainless steel 1.4305 pickled and passivated
F = static load max. in kN



Design with mounting holes

Comments

Fixing drilling with counterbore DIN 74 - M8 for cap-screw DIN 6912-M8

- S = height of:
- anti-slip disc (S = 2 mm)
 - cushion element (S = 10 mm)

GD-Zn

Description	D	h	d	F	Weight	Article-No.
Adjustable tilt-foot plate steel, 80	Ø79	11.5	Ø54	30 kN	260 g	1.44.432080
Adjustable tilt-foot plate steel, 100	Ø99	11.5	Ø74	35 kN	377 g	1.44.432100
Adjustable tilt-foot plate steel, 120	Ø119	11.5	Ø94	35 kN	570 g	1.44.432120

Stainless steel



Adjustable tilt-foot plate stainl., 80	Ø79	11.0	Ø54	30 kN	354 g	1.44.432080V
Adjustable tilt-foot plate stainl., 100	Ø99	11.0	Ø74	40 kN	587 g	1.44.432100V
Adjustable tilt-foot plate stainl., 120	Ø119	11.0	Ø94	40 kN	830 g	1.44.432120V

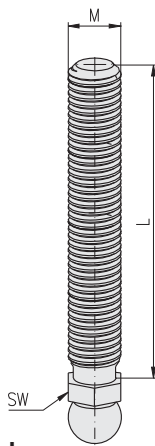
Adjustable tilt-foot spindles



Technical data

material:
 steel: steel, galvanised
 stainless: stainless steel 1.4305,
 pickled and passivated

Steel



Stainless steel



Description	G × L	SW	Weight	Article-No.
Adjustable tilt-foot spindle, steel	M8 × 40	14	17 g	1.44.4608040
Adjustable tilt-foot spindle, steel	M8 × 80	14	31 g	1.44.4608080
Adjustable tilt-foot spindle, steel	M10 × 45	14	37 g	1.44.4610045
Adjustable tilt-foot spindle, steel	M10 × 90	14	51 g	1.44.4610090
Adjustable tilt-foot spindle, steel	M12 × 66	14	56 g	1.44.4612066
Adjustable tilt-foot spindle, steel	M12 × 100	14	79 g	1.44.4612100
Adjustable tilt-foot spindle, steel	M14 × 66	14	87 g	1.44.4614066
Adjustable tilt-foot spindle, steel	M14 × 100	14	119 g	1.44.4614100
Adjustable tilt-foot spindle, steel	M14 × 150	14	166 g	1.44.4614150
Adjustable tilt-foot spindle, steel	M16 × 66	17	111 g	1.44.4616066
Adjustable tilt-foot spindle, steel	M16 × 100	17	155 g	1.44.4616100
Adjustable tilt-foot spindle, steel	M16 × 150	17	220 g	1.44.4616150
Adjustable tilt-foot spindle, steel	M20 × 100	22	237 g	1.44.4620100
Adjustable tilt-foot spindle, steel	M20 × 150	22	331 g	1.44.4620150
Adjustable tilt-foot spindle, stainless	M14 × 66	14	87 g	1.44.4614066V
Adjustable tilt-foot spindle, stainless	M14 × 88	14	104 g	1.44.4614088V
Adjustable tilt-foot spindle, stainless	M14 × 100	14	119 g	1.44.4614100V
Adjustable tilt-foot spindle, stainless	M14 × 125	14	138 g	1.44.4614125V
Adjustable tilt-foot spindle, stainless	M14 × 150	14	166 g	1.44.4614150V

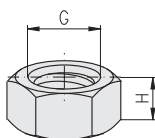
Adjustable tilt-foot nuts



Technical data

material:
 steel: steel, galvanised
 stainless: stainless steel 1.4305,
 pickled and passivated

Steel



Stainless steel



Description	G	H	Weight	Article-No.
Adjustable tilt-foot nut	M8	5	5 g	1.44.46M08
Adjustable tilt-foot nut	M10	6	8 g	1.44.46M10
Adjustable tilt-foot nut	M12	7	10 g	1.44.46M12
Adjustable tilt-foot nut	M14	8	16 g	1.44.46M14
Adjustable tilt-foot nut	M16	8	17 g	1.44.46M16
Adjustable tilt-foot nut	M20	9	35 g	1.44.46M20
Adjustable tilt-foot nut, stainless	M14	8	16 g	1.44.46M14V

Adjustable tilt-foot anti-slip discs

C

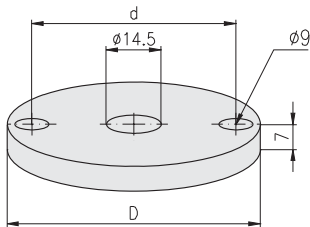
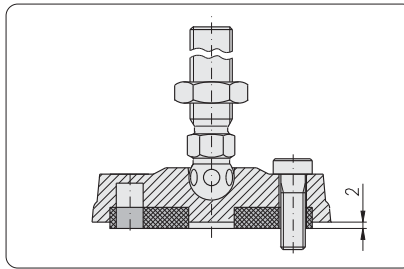


Application

Element for protection against dislocation and floor damage

Technical data

material: NBR, oil and water resistant
 colour: black
 hardness: 80 Shore A
 F = static load max. in KN



Description

	D	d	F	Weight	Article-No.
Adj. tilt-foot anti-slip disc for plate 30	Ø20	-	5 kN	2.0 g	1.44.471030
Adj. tilt-foot anti-slip disc for plate 40	Ø30	-	6 kN	4.0 g	1.44.471040
Adj. tilt-foot anti-slip disc for plate 45	Ø35	-	7 kN	5.5 g	1.44.471045
Adj. tilt-foot anti-slip disc for plate 50	Ø39	-	8 kN	7.5 g	1.44.471050
Adj. tilt-foot anti-slip disc for plate 60	Ø49	-	9 kN	12.0 g	1.44.471060
Adj. tilt-foot anti-slip disc for plate 80	Ø67	Ø54	10 kN	22.0 g	1.44.471080
Adj. tilt-foot anti-slip disc for plate 100	Ø87	Ø74	10 kN	36.0 g	1.44.471100
Adj. tilt-foot anti-slip disc for plate 120	Ø107	Ø94	10 kN	57.0 g	1.44.471120

Adjustable tilt-foot cushion elements

C

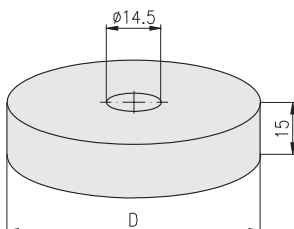
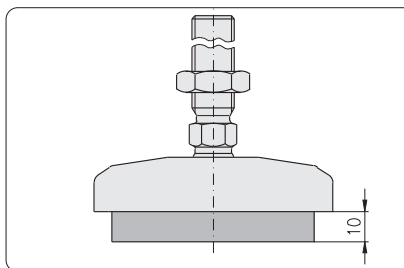


Application

Cushion elements

Technical data

material: NBR, oil and water resistant
 colour: black
 hardness: 70 Shore A
 F = static load max. in N



Description

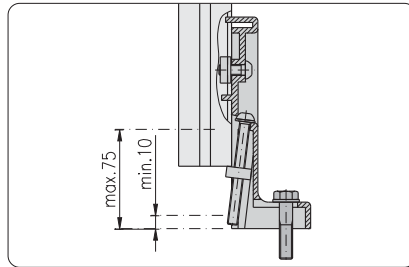
	D	F	Weight	Article-No.
Adj. tilt-foot cushion element for plate 40	Ø30	150 N	14 g	1.44.472040
Adj. tilt-foot cushion element for plate 45	Ø35	175 N	19 g	1.44.472045
Adj. tilt-foot cushion element for plate 50	Ø39	200 N	24 g	1.44.472050
Adj. tilt-foot cushion element for plate 60	Ø49	250 N	35 g	1.44.472060
Adj. tilt-foot cushion element for plate 80	Ø67	500 N	68 g	1.44.472080
Adj. tilt-foot cushion element for plate 100	Ø87	800 N	118 g	1.44.472100
Adj. tilt-foot cushion element for plate 120	Ø107	1,200 N	188 g	1.44.472120

Angular adjusting feet



Application

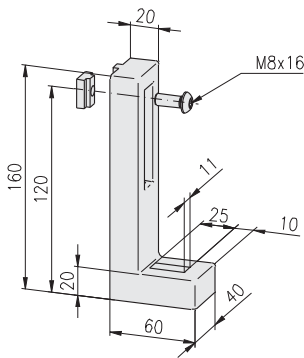
For fastening of frames to floor or wall



Technical data

material:

- base body: GD-Al, black
- nuts: steel galvanised
- screws: steel galvanised
- max. static load: 10,000 N



Delivery unit

- base body
- nut M8
- screw M8x16 - 10.9

Description

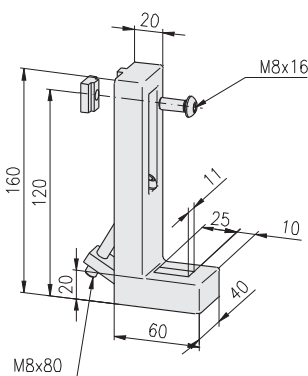
Angular adjusting foot without adjusting screw

Weight

468 g

Article-No.

1.44.716001



Delivery unit:

- base body
- nut M8
- screw M8x16 - 10.9
- screw M8x80 - 10.9
- square nut

Description

Angular adjusting foot with adjusting screw

Weight

519 g

Article-No.

1.44.716002

**Base foot
for profile 40x40**

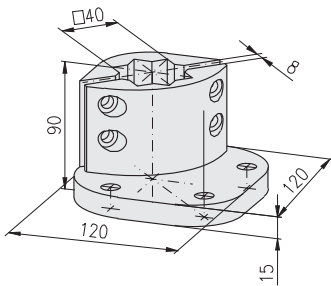
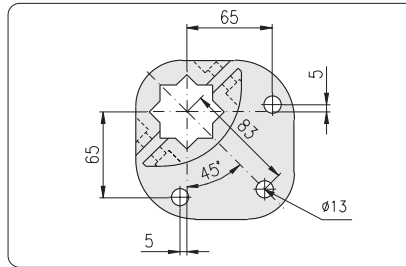


Application

Base feet for fastening profiles and frames to floor or wall

Technical data

material: GD-Zn



Description

Base foot for profile 40x40

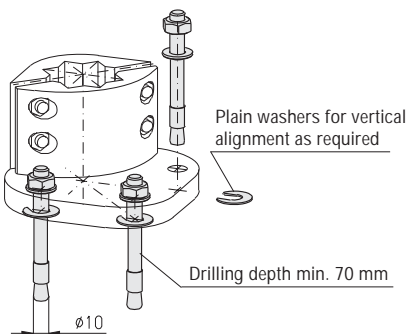
Weight

979 g

Article-No.

1.44.83040

Floor mounting set



Description

Floor mounting set 3 MKT

Weight

202.3 g

Article-No.

1.44.83BB

Single parts

Pin anchor MKT, B10/20/95

Pcs.

3

Weight

65.3 g

Article-No.

0.66.MKT.B1020/95

Plain washer 1xØ24/11

8

0.8 g

1.44.89011324

Base feet

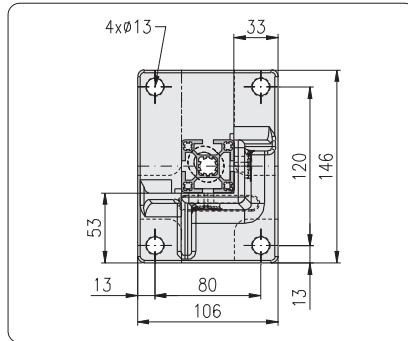


Application

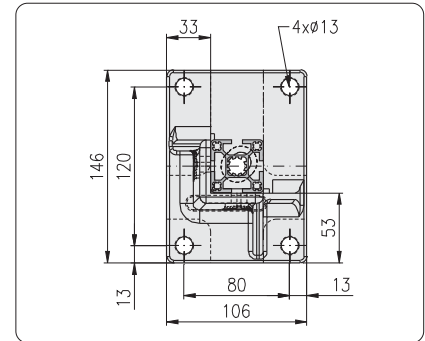
Base feet for fastening profiles and frames to floor or wall

Technical data

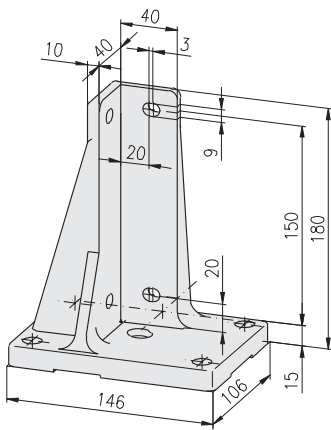
material: GK AlZn 10Si8Mg



40x40, type 1, left



40x40, type 1, right



Comments

3D picture shows type 1, right mirror-inverted: type 1, left

Mounting sets (↔ 194, 195)

Floor mounting set 4 MKT
Profile mounting set 4 EM8

Description

Base foot 40x40, type 1, left
Base foot 40x40, type 1, right

for profile

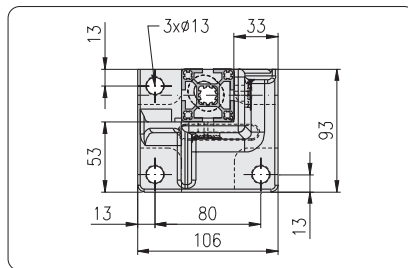
40x40, 45x45
40x40, 45x45

Weight

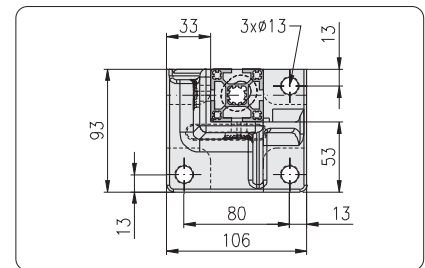
1.06 kg
1.06 kg

Article-No.

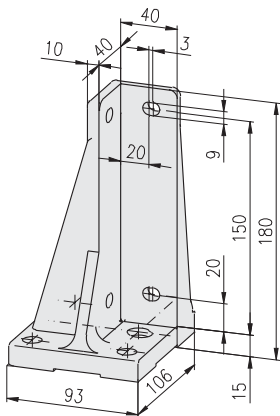
1.44.84.4040.00L
1.44.84.4040.00R



40x40, type 2, left



40x40, type 2, right



Comments

3D picture shows type 2, right mirror-inverted: type 2, left

Mounting sets (↔ 194, 195)

Floor mounting set 3 MKT
Profile mounting set 4 EM8

Description

Base foot 40x40, type 2, left
Base foot 40x40, type 2, right

for profile

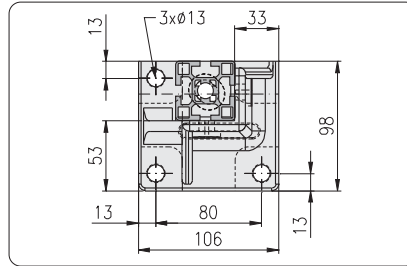
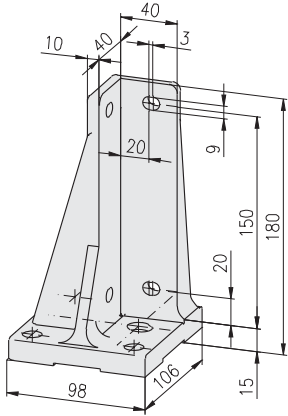
40x40
40x40

Weight

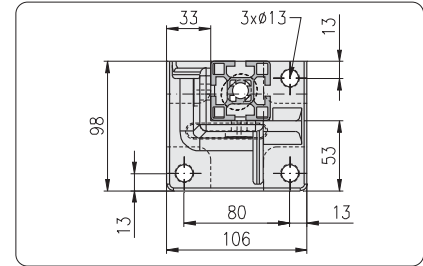
0.83 kg
0.83 kg

Article-No.

1.44.84.4040.40L
1.44.84.4040.40R



45x45, type 2, left



45x45, type 2, right

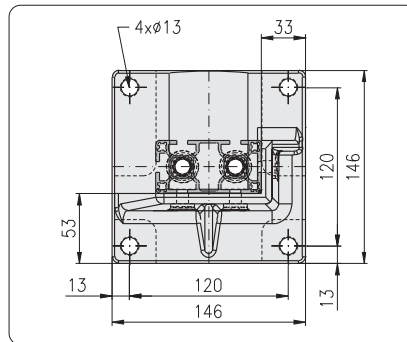
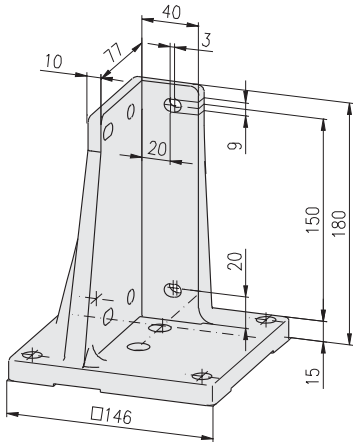
Comments

3D picture shows type 2, right
mirror-inverted: type 2, left

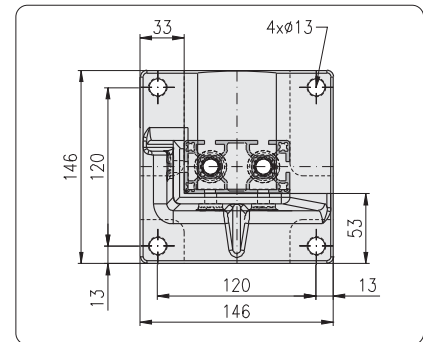
Mounting sets (↔ 194, 195)

Floor mounting set 3 MKT
Profile mounting set 4 EM8

Description	for profile	Weight	Article-No.
Base foot 45x45, type 2, left	45x45	0.85 kg	1.44.84.4545.45L
Base foot 45x45, type 2, right	45x45	0.85 kg	1.44.84.4545.45R



40x80, type 1, left



40x80, type 1, right

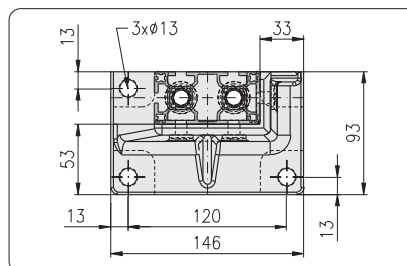
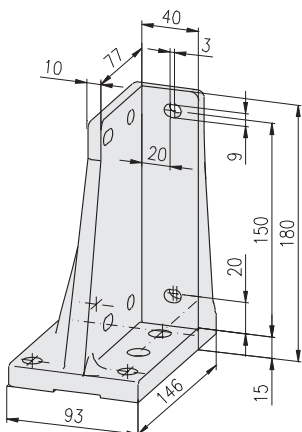
Comments

3D picture shows type 1, right
mirror-inverted: type 1, left

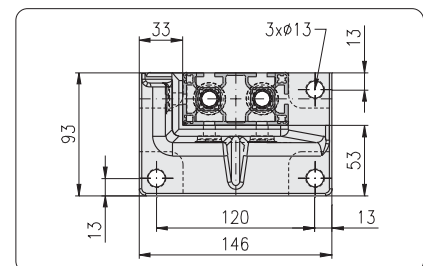
Mounting sets (↔ 194, 195)

Floor mounting set 4 MKT
Profile mounting set 6 EM8

Description	for profile	Weight	Article-No.
Base foot 40x80, type 1, left	40x80, 60x80, 45x90	1.39 kg	1.44.84.4080.00L
Base foot 40x80, type 1, right	40x80, 60x80, 45x90	1.39 kg	1.44.84.4080.00R



40x80, type 2, left



40x80, type 2, right

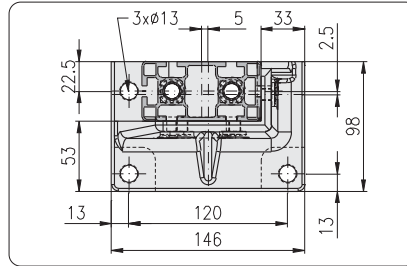
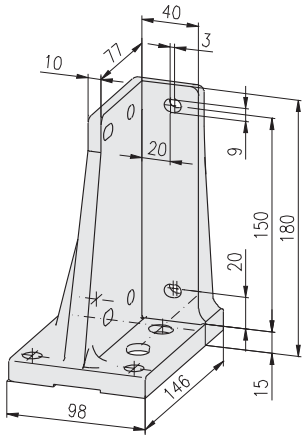
Comments

3D picture shows type 2, right
mirror-inverted: type 2, left

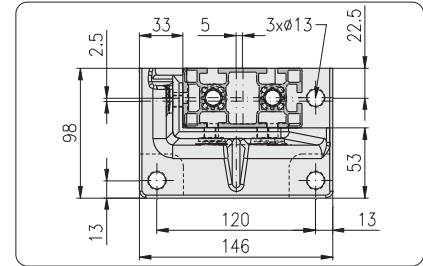
Mounting sets (↔ 194, 195)

Floor mounting set 3 MKT
Profile mounting set 6 EM8

Description	for profile	Weight	Article-No.
Base foot 40x80, type 2, left	40x80	1.01 kg	1.44.84.4080.40L
Base foot 40x80, type 2, right	40x80	1.01 kg	1.44.84.4080.40R



45x90, type 2, left



45x90, type 2, right

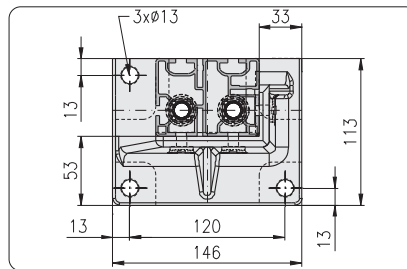
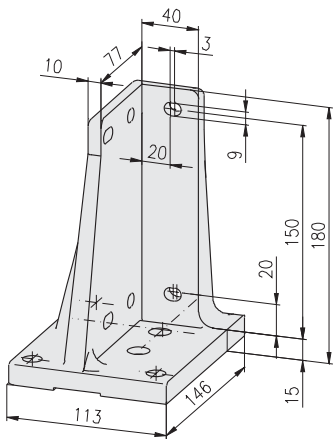
Comments

3D picture shows type 2, right
mirror-inverted: type 2, left

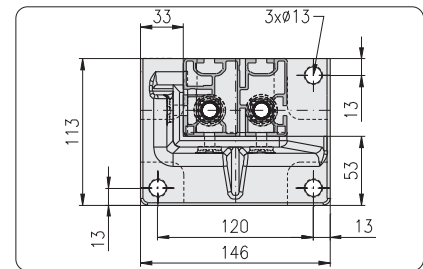
Mounting sets (↔ 194, 195)

Floor mounting set 3 MKT
Profile mounting set 6 EM8

Description	for profile	Weight	Article-No.
Base foot 45x90, type 2, left	45x90	1.10 kg	1.44.84.4590.45L
Base foot 45x90, type 2, right	45x90	1.10 kg	1.44.84.4590.45R



60x80, type 2, left



60x80, type 2, right

Comments

3D picture shows type 2, right
mirror-inverted: type 2, left

Mounting sets (↔ 194, 195)

Floor mounting set 3 MKT
Profile mounting set 6 EM8

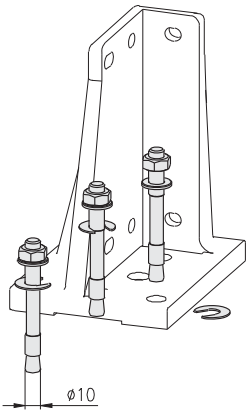
Description	for profile	Weight	Article-No.
Base foot 60x80, type 2, left	60x80	1.25 kg	1.44.84.6080.60L
Base foot 60x80, type 2, right	60x80	1.25 kg	1.44.84.6080.60R

Floor mounting sets

Cross-reference list for base feet and floor mounting sets			
Base foot	Article-No.	Floor mounting set	
		3 MKT, 1.44.83BB	4 MKT, 1.44.84BB
40×40, type 1, le/ri	1.44.84.4040.00x		•
40×40, type 2, le/ri	1.44.84.4040.40x	•	
40×80, type 1, le/ri	1.44.84.4080.00x		•
40×80, type 2, le/ri	1.44.84.4080.40x	•	
45×45, type 2, le/ri	1.44.84.4545.45x	•	
45×90, type 2, le/ri	1.44.84.4590.45x	•	
60×80, type 2, le/ri	1.44.84.6080.60x	•	

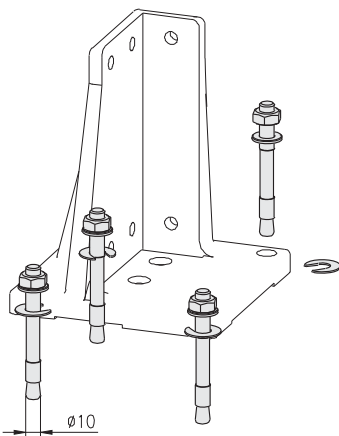
Comments

- Drilling depth min. 70 mm
- Plain washers for vertical alignment as required



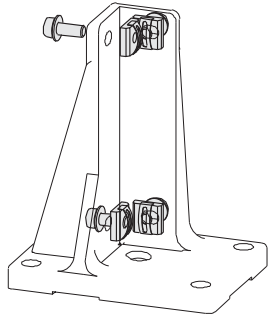
Description	Weight	Article-No.
Floor mounting set 3 MKT	202.3 g	1.44.83BB

Single parts	Pcs.	Weight	Article-No.
Pin anchor MKT, B10/20/95	3	65.3 g	0.66.MKT.B1020/95
Plain washer 1×Ø24/11	8	0.8 g	1.44.89011324



Description	Weight	Article-No.
Floor mounting set 4 MKT	269.2 g	1.44.84BB

Single parts	Pcs.	Weight	Article-No.
Pin anchor MKT, B10/20/95	4	65.3 g	0.66.MKT.B1020/95
Plain washer 1×Ø24/11	10	0.8 g	1.44.89011324

Profile mounting sets

Application

Suitable for mounting of the profiles:

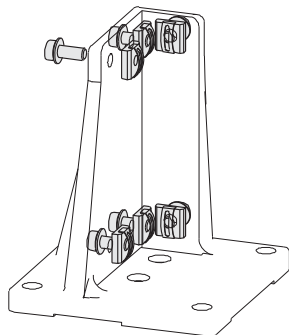
- 40×40
- 45×45

Description	Weight	Article-No.
Profile mounting set 4 EM8	112.4 g	1.44.80BP40.20
Single parts	Pcs.	Weight
Threaded plate, heavy, E M8	4	16.3 g
Collar screw WN 251 M8×20	4	11.8 g

Application

Suitable for mounting of the profiles:

- 40×80
- 45×90
- 60×80, panel



Description	Weight	Article-No.
Profile mounting set 6 EM8	168.6 g	1.44.80BP80.20
Single parts	Pcs.	Weight
Threaded plate, heavy, E M8	6	16.3 g
Collar screw WN 251 M8×20	6	11.8 g

Base angle

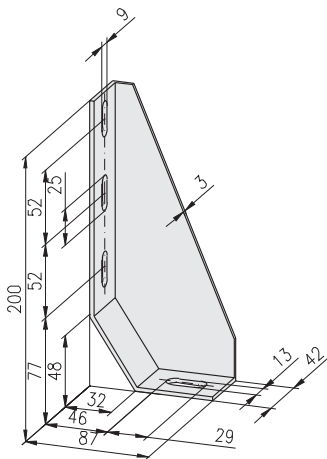


Application

For fastening of frames to floor or wall



Suitable for use together with levelling feet with max. diameter 100 mm



Technical data

material: sheet steel
surface: galvanised and black coated

Description

Base angle 200x87x42

Weight

413 g

Article-No.

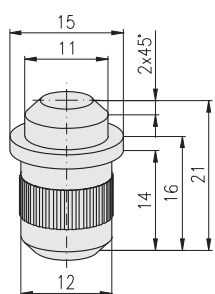
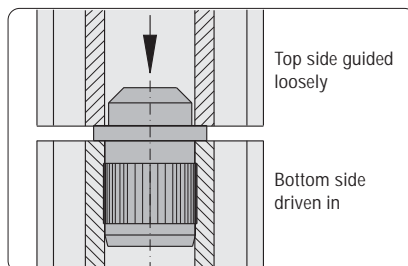
1.44.820001

Stacking foot



Application

Element to fix 2 profiles in core hole



Technical data

material: steel
surface: galvanised

Description

Stacking foot

Weight

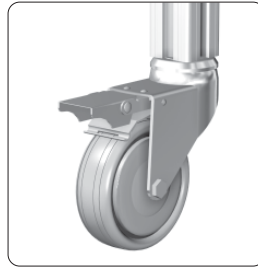
19 g

Article-No.

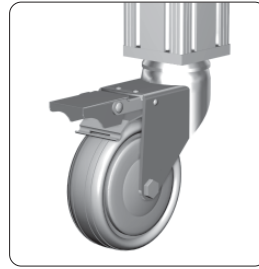
1.44.901221



Castors



Fastening in core hole



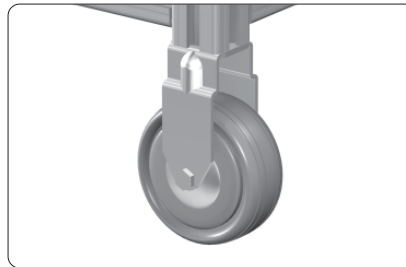
Fastening through base plate for profile without centric core hole



Fastening by press-fit threaded insert across the profile

Variations		
Castor-Ø	50 mm / 75 mm	100 mm / 125 mm
Bolt hole type	 s = 7 mm	 s = 10.5 mm
Fitting plate type	 s = 2 mm	 s = 3 mm

Fixed castors



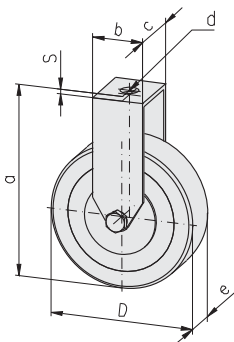
Technical data

material:

- capsule: sheet steel, galvanised
- wheels: solid rubber tyres, grey

Ø75/100/125 incl. thread protection

max. static load: F_{max}



Description	D	a	Weight	Article-No.
Fixed castor with bolt hole	Ø50	69	130 g	1.45.11050
Fixed castor with bolt hole	Ø75	98	240 g	1.45.11075
Fixed castor with bolt hole	Ø100	133	500 g	1.45.11100
Fixed castor with bolt hole	Ø125	158	900 g	1.45.11125
Fixed castor with fitting plate	Ø50	71	190 g	1.45.12050
Fixed castor with fitting plate	Ø75	100	300 g	1.45.12075
Fixed castor with fitting plate	Ø100	136	610 g	1.45.12100
Fixed castor with fitting plate	Ø125	161	1,010 g	1.45.12125

Design bolt hole						
D	b	c	d	e	s	F_{max}
Ø50	30	27	Ø10.5	18	2.0	400 N
Ø75	34	27	Ø10.5	25	2.0	550 N
Ø100	57	43	Ø12.5	32	2.5	800 N
Ø125	57	43	Ø12.5	32	2.5	1,000 N

Swivel castors



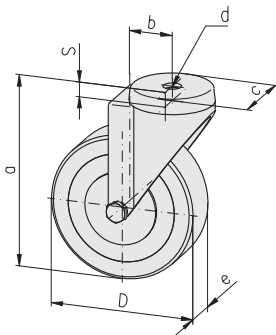
Technical data

material:

- capsule: sheet steel, galvanised
- wheels: solid rubber tyres, grey

Ø75/100/125 incl. thread protection

max. static load: F_{max}



Description	D	a	Weight	Article-No.
Swivel castor with bolt hole	Ø50	69	180 g	1.45.21050
Swivel castor with bolt hole	Ø75	98	310 g	1.45.21075
Swivel castor with bolt hole	Ø100	133	680 g	1.45.21100
Swivel castor with bolt hole	Ø125	158	890 g	1.45.21125
Swivel castor with fitting plate	Ø50	71	230 g	1.45.22050
Swivel castor with fitting plate	Ø75	100	360 g	1.45.22075
Swivel castor with fitting plate	Ø100	136	780 g	1.45.22100
Swivel castor with fitting plate	Ø125	161	990 g	1.45.22125

Dimensions see table below

Swivel castors lockable



Technical data

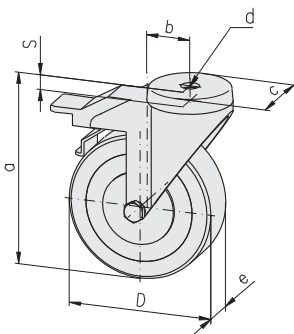
material:

- capsule: sheet steel, galvanised
- wheels: solid rubber tyres, grey

stop fix: - wheel break
- swivel break

Ø75/100/125 incl. thread protection

max. static load: F_{max}



Description	D	a	Weight	Article-No.
Swivel castor, lockable with bolt hole	Ø50	69	220 g	1.45.31050
Swivel castor, lockable with bolt hole	Ø75	98	450 g	1.45.31075
Swivel castor, lockable with bolt hole	Ø100	133	840 g	1.45.31100
Swivel castor, lockable with bolt hole	Ø125	158	990 g	1.45.31125
Swivel castor, lockable with fitting plate	Ø50	71	270 g	1.45.32050
Swivel castor, lockable with fitting plate	Ø75	100	500 g	1.45.32075
Swivel castor, lockable with fitting plate	Ø100	136	940 g	1.45.32100
Swivel castor, lockable with fitting plate	Ø125	161	1,090 g	1.45.32125

Design bolt hole						
D	b	c	d	e	s	F_{max}
Ø50	25	Ø43	Ø10.5	18	10.5	400 N
Ø75	30.5	Ø43	Ø10.5	25	10.5	550 N
Ø100	43	Ø57	Ø12.5	32	10.5	800 N
Ø125	43	Ø57	Ø12.5	32	10.5	1,000 N

Locking castors



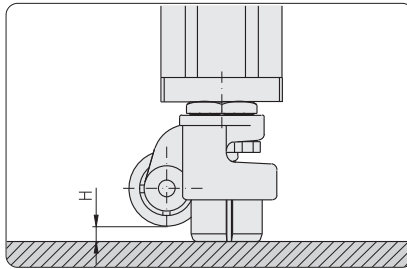
Application

Locking castors for easy movement and positioning of trolleys, benches and assemblies

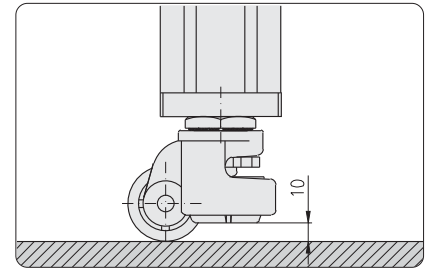
Technical data

material:

- capsule: Al
- fastening elements: C45
- locking foot: GD-Al, rubber
- max. static load: F_{max}



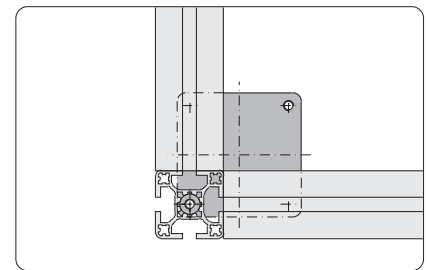
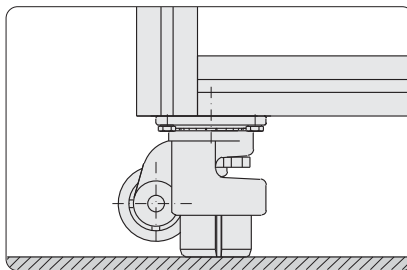
Extended support foot to secure position



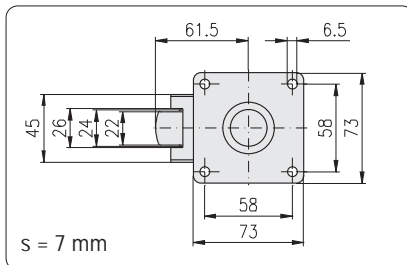
Retracted support foot for easy movement

Design					
D	a	b _{max}	c	H _{max}	F _{max}
Ø50	83	93	98	10	2,000 N
Ø62	102	117	122	15	4,000 N

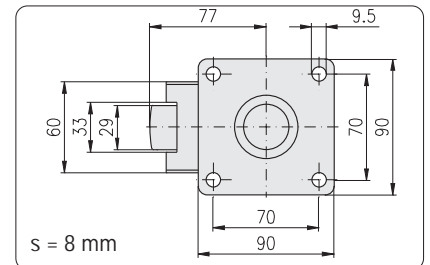
Locking castors with plate



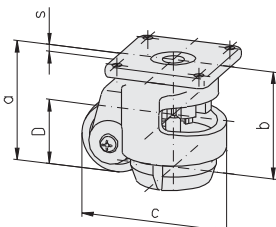
Mounting on profile frame using core hole and slot



Castor-Ø50

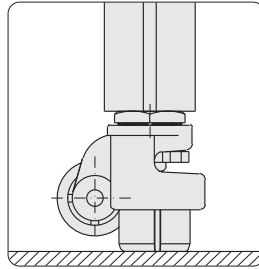


Castor-Ø62

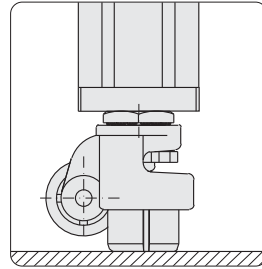


Description	D	Weight	Article-No.
Locking castor 200 kg, with plate	Ø50	760 g	1.45.80200.073
Locking castor 400 kg, with plate	Ø62	1,380 g	1.45.80400.090

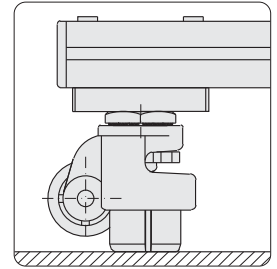
Locking castors
with center thread



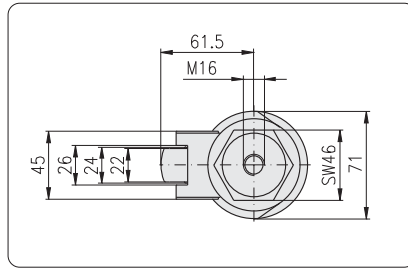
Fastening in core hole



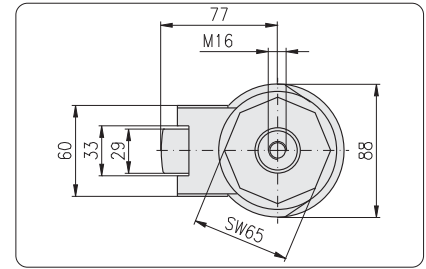
Fastening through base plate for profiles without central core hole



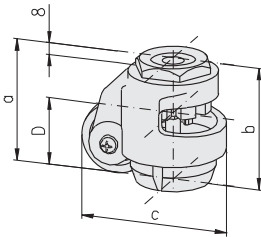
Fastening with press-fit threaded insert and base plate across the profile



Castor-Ø50

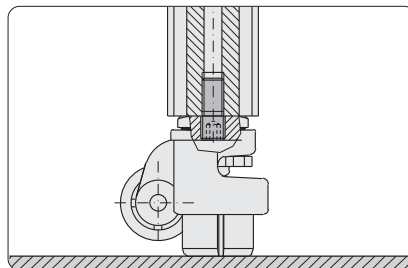


Castor-Ø62

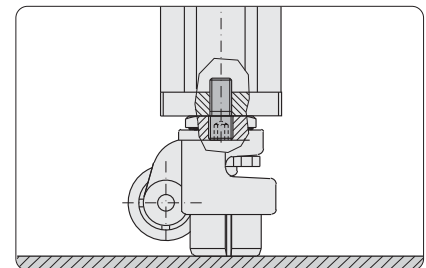


Description	D	Weight	Article-No.
Locking castor 200 kg, with center thread	Ø50	760 g	1.45.81200.046
Locking castor 400 kg, with center thread	Ø62	1,380 g	1.45.81400.065

Threaded bolt
for locking castor
with center thread



Threaded bolt for fastening in core hole



Threaded bolt for fastening with base plate

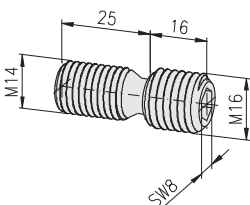
Application

For fastening of locking castors with central thread

- in core hole-Ø12 of the profile
- on base plate

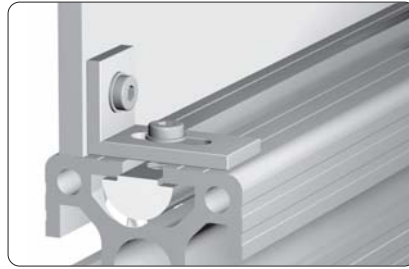
Technical data

material: steel
surface: galvanised



Description	Weight	Article-No.
Threaded bolt M16/M14	28 g	1.45.81000.M16M14

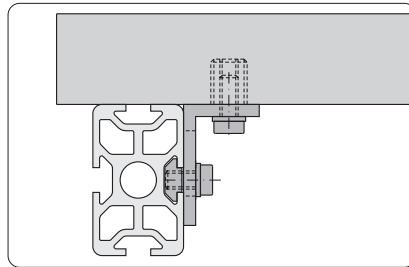
Angles 25x40



Fastening of panels

Application

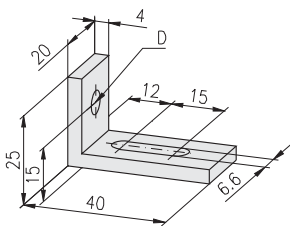
Angle bracket for the mounting of panels, table tops, switches and accessories



Fastening of table tops

Technical data

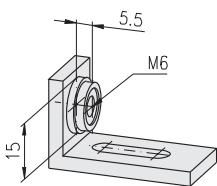
material: aluminium
 strength: F22
 surface: natural anodised



Comments

Design with clearance hole drilling

Description	D	Weight	Article-No.
Angle 25x40	Ø6.6	11 g	1.46.110
Angle 25x40	Ø8.7	10 g	1.46.115



Comments

Design with nut M6 ± 0.5 mm floating in cage

Description	Weight	Article-No.
Angle 25x40, M6	15 g	1.46.120

Angles PA



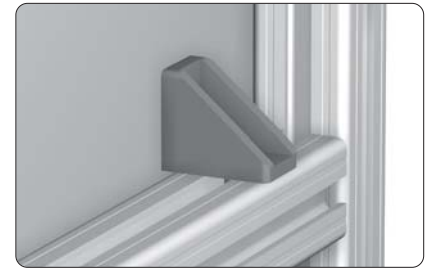
Support of free-standing profiles

Application

For supporting of profiles and mounting of cover panels



Support across the profile
In this application the rotary lock must be removed from one side

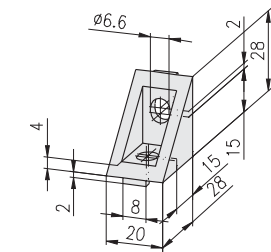


Mounting of cover panels
In this application the rotary lock must be removed from both sides

Technical data

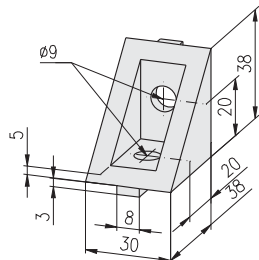
material: PA-GF

20x28



Description	Colour	Weight	Article-No.
Angle PA, 20x28	grey	6.4 g	1.46.203.2028.1
Angle PA, 20x28	black	6.4 g	1.46.203.2028.2

30x38



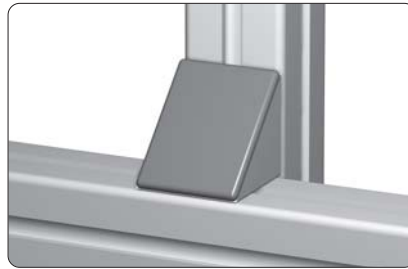
Description	Colour	Weight	Article-No.
Angle PA, 30x38	grey	18.9 g	1.46.203.3038.1
Angle PA, 30x38	black	18.9 g	1.46.203.3038.2

Angles GD-Zn



Application

For supporting profiles and mounting various machine components



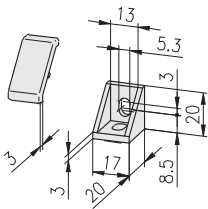
Technical data

material:

- angle: GD-Zn
- cover cap: PA-GK 30
- T-slot nut: steel, galvanised
- screw: steel, galvanised
- surface: natural or aluminium coloured powder-coated

For mounting cross to the slot the noses can be broken off

17x20

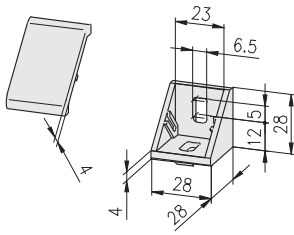


Description	Surface	Weight	Article-No.
Angle GD-Zn, 17x20	natural	13.7 g	1.46.204.1720.1
Angle GD-Zn, 17x20	powder-coated	13.7 g	1.46.204.1720.2
Cover cap for angle GD-Zn, 17x20		1.7 g	1.46.204.1720A
Angle connection set	1720 H/H	20.9 g	1.46.204.1720.□HH
Angle connection set	1720 H/F	23.6 g	1.46.204.1720.□HF
Angle connection set	1720 F/F	26.3 g	1.46.204.1720.□FF
Angle connection set	1720 T H/F	25.0 g	1.46.204.1720T□HF
Angle connection set	1720 T F/F	29.1 g	1.46.204.1720T□FF

Single parts: Angle connection sets 1720					
Angle	Slot	Fastening elements			
	H	threaded plate		lens head screw	Pcs.
	F	T-slot nut			
1.46.204.1720.□	H	H	1.31.4HM5	0.63.WN7381.05006	2
1.46.204.1720.□	H	H	1.31.4HM5	0.63.WN7381.05006	1
		F	1.34.10FM5	0.63.WN7381.05008	1
1.46.204.1720.□	F	F	1.34.10FM5	0.63.WN7381.05008	2




Single parts: Angle connection sets 1720 T					
Angle	Slot	Fastening elements			
	H	threaded plate		lens head screw	Pcs.
	F	T-nut for subs. insertion			
1.46.204.1720□	H	H	1.31.4HM5	0.63.WN7381.05006	1
		F	1.32.4FM5	0.63.WN7381.05008	1
1.46.204.1720□	F	F	1.32.4FM5	0.63.WN7381.05008	2

- 1 angle natural
- 2 angle powder-coated




28×28


Description	Surface	Weight	Article-No.
Angle GD-Zn, 28×28	natural	39.6 g	1.46.204.2828.1
Angle GD-Zn, 28×28	powder-coated	39.6 g	1.46.204.2828.2
Cover cap for angle GD-Zn, 28×28		5.6 g	1.46.204.2828A
Angle connection set	2828 F/F	56.4 g	1.46.204.2828.□FF
Angle connection set	2828 F/E	56.8 g	1.46.204.2828.□FE
Angle connection set	2828 E/E	57.2 g	1.46.204.2828.□EE
Angle connection set	2828 T F/F	59.8 g	1.46.204.2828T□FF
Angle connection set	2828 T F/E	66.3 g	1.46.204.2828T□FE
Angle connection set	2828 T E/E	72.8 g	1.46.204.2828T□EE

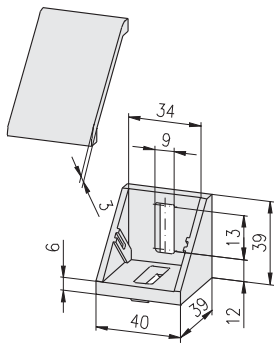
Single parts: Angle connection sets 2828

Angle	Slot	Fastening elements		
		T-slot nut	lens head screw	Pcs.
				
1.46.204.2828.□	F F	1.34.10FM6	0.63.WN7381.06010	2
1.46.204.2828.□	F E	1.34.10FM6	0.63.WN7381.06010	1
		1.34.10EM6	0.63.WN7381.06012	1
1.46.204.2828.□	E E	1.34.10EM6	0.63.WN7381.06012	2

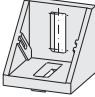

Single parts: Angle connection sets 2828 T



Angle	Slot	Fastening elements		
		T-nut for subs. insertion	lens head screw	Pcs.
				
1.46.204.2828□	F F	1.32.4FM6	0.63.WN7381.06010	2
1.46.204.2828□	F E	1.32.4FM6	0.63.WN7381.06010	1
		1.32.4EM6	0.63.WN7381.06012	1
1.46.204.2828□	E E	1.32.4EM6	0.63.WN7381.06012	2

- 1 angle natural
 2 angle powder-coated

40×39


Description	Surface	Weight	Article-No.
Angle GD-Zn, 40×39	natural	85.5 g	1.46.204.4039.1
Angle GD-Zn, 40×39	powder-coated	85.5 g	1.46.204.4039.2
Cover cap for angle GD-Zn, 40×39		8.0 g	1.46.204.4039A
Angle connection set	4039 F/F	105.9 g	1.46.204.4039.□FF
Angle connection set	4039 F/E	111.9 g	1.46.204.4039.□FE
Angle connection set	4039 E/E	117.9 g	1.46.204.4039.□EE
Angle connection set	4039 T F/F	105.9 g	1.46.204.4039T□FF
Angle connection set	4039 T F/E	111.9 g	1.46.204.4039T□FE
Angle connection set	4039 T E/E	117.9 g	1.46.204.4039T□EE

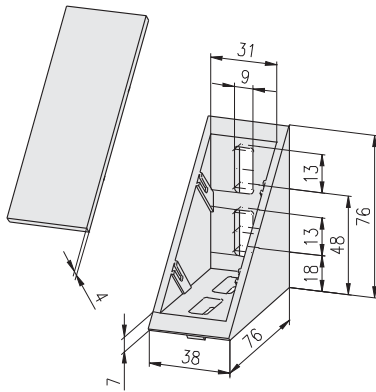
Single parts: Angle connection sets 4039					
Angle	Slot	Fastening elements			
		T-screw		hexagon flange nut	Pcs.
1) 1.46.204.4039.□	F F	1.34.FM82		0.61.D06923.08	2
1.46.204.4039.□	F E	1.34.FM82		0.61.D06923.08	1
		1.34.EM82		0.61.D06923.08	1
1.46.204.4039.□	E E	1.34.EM82		0.61.D06923.08	2

Single parts: Angle connection sets 4039 T					
Angle	Slot	Fastening elements			
		T-nut for subs. insertion		lens head screw	Pcs.
1.46.204.4039□	F F	1.32.4FM8		0.63.WN7381.08012	2
1.46.204.4039□	F E	1.32.4FM8		0.63.WN7381.08012	1
		1.32.4EM8		0.63.WN7381.08016	1
1.46.204.4039□	E E	1.32.4EM8		0.63.WN7381.08016	2

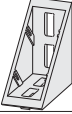

- 1 angle natural
 2 angle powder-coated



- 1) Connection with T-screw only without cover cap

38x76

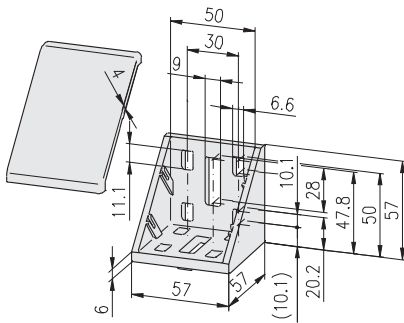


Description	Surface	Weight	Article-No.
Angle GD-Zn, 38x76	natural	273.0 g	1.46.204.3876.1
Angle GD-Zn, 38x76	powder-coated	273.0 g	1.46.204.3876.2
Cover cap for angle GD-Zn, 38x76		16.8 g	1.46.204.3876A
Angle connection set	3876 F/F	334.2 g	1.46.204.3876.□FF
Angle connection set	3876 F/E	342.2 g	1.46.204.3876.□FE
Angle connection set	3876 E/E	350.2 g	1.46.204.3876.□EE
Angle connection set	3876 T F/F	313.8 g	1.46.204.3876T□FF
Angle connection set	3876 T F/E	325.8 g	1.46.204.3876T□FE
Angle connection set	3876 T E/E	337.8 g	1.46.204.3876T□EE






Single parts: Angle connection sets 3876					
Angle	Slot	Fastening elements			
		T-screw		hexagon flange nut	Pcs.
1.46.204.3876.□	F F	1.34.FM82		0.61.D06923.08	4
1.46.204.3876.□	F E	1.34.FM82		0.61.D06923.08	2
	E E	1.34.EM82		0.61.D06923.08	2
1.46.204.3876.□	E E	1.34.EM82		0.61.D06923.08	4




Single parts: Angle connection sets 3876 T					
Angle	Slot	Fastening elements			
		T-nut for subs. insertion		lens head screw	Pcs.
1.46.204.3876□	F F	1.32.4FM8		0.63.WN7381.08012	4
1.46.204.3876□	F E	1.32.4FM8		0.63.WN7381.08012	2
	E E	1.32.4EM8		0.63.WN7381.08016	2
1.46.204.3876□	E E	1.32.4EM8		0.63.WN7381.08016	4

- 1 angle natural
 2 angle powder-coated

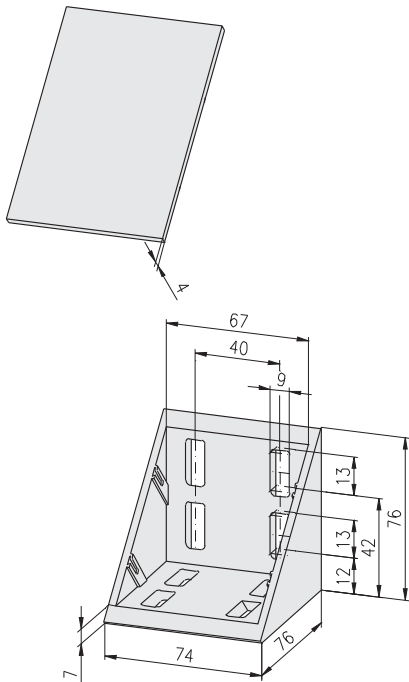
57×57


Description	Surface	Weight	Article-No.
Angle GD-Zn, 57×57	natural	226.3 g	1.46.204.5757.1
Angle GD-Zn, 57×57	powder-coated	226.3 g	1.46.204.5757.2
Cover cap for angle GD-Zn, 57×57		22.8 g	1.46.204.5757A
Angle connection set	5757 F/F	296.7 g	1.46.204.5757.□FF
Angle connection set	5757 F/E	280.8 g	1.46.204.5757.□FE
Angle connection set	5757 E/E	261.9 g	1.46.204.5757.□EE
Angle connection set	5757 T F/F	246.7 g	1.46.204.5757T□FF
Angle connection set	5757 T F/E	252.7 g	1.46.204.5757T□FE
Angle connection set	5757 T E/E	258.7 g	1.46.204.5757T□EE

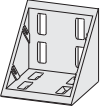


Single parts: Angle connection sets 5757						
Angle	Slot	Fastening elements				
	F	T-slot nut		lens head screw		Pcs.
	E	T-screw		hexagon flange nut		
1.46.204.5757.□	F	F	1.34.10FM6	0.63.WN7381.06012		8
1.46.204.5757.□	F	F	1.34.10FM6	0.63.WN7381.06012		4
		E	1.34.EM82	0.61.D06923.08		1
1.46.204.5757.□	E	E	1.34.EM82	0.61.D06923.08		2

Single parts: Angle connection sets 5757 T						
Angle	Slot	Fastening elements				
			T-nut for subs. insertion	lens head screw		Pcs.
						
1.46.204.5757□	F	F	1.32.4FM6	0.63.WN7381.06012		8
1.46.204.5757□	F	F	1.32.4FM6	0.63.WN7381.06012		4
		E	1.32.4EM8	0.63.WN7381.08016		1
1.46.204.5757□	E	E	1.32.4EM8	0.63.WN7381.08016		2

- 1 angle natural
 2 angle powder-coated

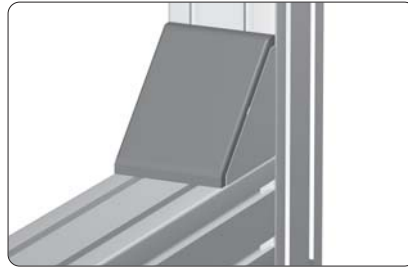
74x76


Description	Surface	Weight	Article-No.
Angle GD-Zn, 74x76	natural	434.5 g	1.46.204.7476.1
Angle GD-Zn, 74x76	powder-coated	434.5 g	1.46.204.7476.2
Cover cap for angle GD-Zn, 74x76		32.7 g	1.46.204.7476A
Angle connection set	7476 E/E	588.9 g	1.46.204.7476.□EE

Single parts: Angle connection set 7476				
Angle	Slot	Fastening elements		Pcs.
		T-screw 	hexagon flange nut 	
1.46.204.7476.□	E E	1.34.EM82	0.61.D06923.08	8

- 1 angle natural
 2 angle powder-coated

Angles GD-AI



Application

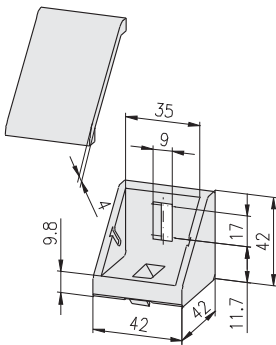
For supporting profiles and mounting various machine components

Technical data

material:

- angle: GD-AI
- cover cap: PA GK 30
- nut: steel, galvanised
- screw: steel, galvanised
- surface: natural

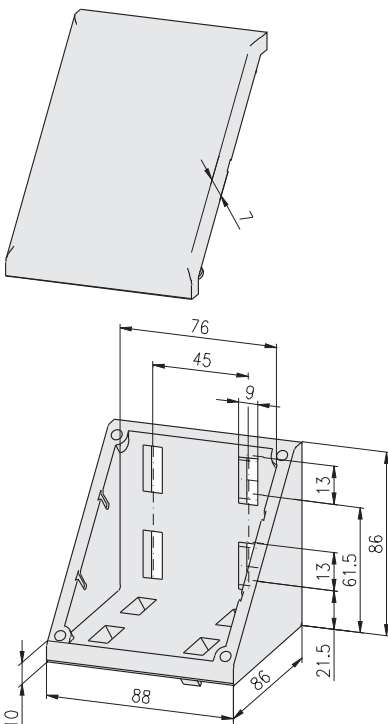
42x42



Description	Surface	Weight	Article-No.
Angle GD-AI, 42x42	natural	56.0 g	1.46.204.4242.1AL
Cover cap for angle GD-AI, 42x42		14.0 g	1.46.204.4242.AAL
Angle connection set	4242 E/E	100.0 g	1.46.204.4242.SAL

Single parts: Angle connection set 4242					
Angle	Slot	Fastening elements			Pcs.
		T-screw		hexagon flange nut	
1.46.204.4242.1AL	E E	1.34.EM82		0.61.D06923.08	2

88x86



Description	Surface	Weight	Article-No.
Angle GD-AI, 88x86	natural	333.8 g	1.46.204.8886.1AL
Cover cap for angle GD-AI, 88x86		30.0 g	1.46.204.8886.AAL
Angle connection set	8886 E/E	485.5 g	1.46.204.8886.SAL

Single parts: Angle connection set 8886					
Angle	Slot	Fastening elements			Pcs.
		T-screw		hexagon flange nut	
1.46.204.8886.1AL	E E	1.34.EM82		0.61.D06923.08	8

Angles Alu



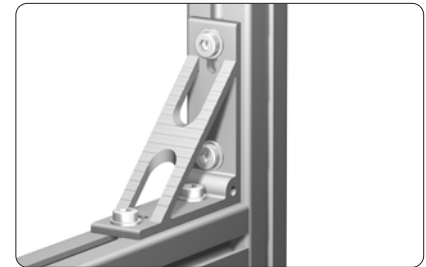
Mounting of cover panels

Application

For supporting of profiles and mounting of cover panels



Support across the profile



Support of free-standing profiles

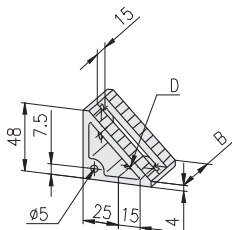
Technical data

material: aluminium
 strength: F22
 surface: natural anodised

Comments

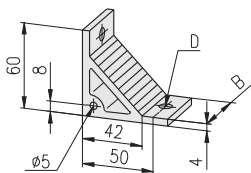
Angles Alu are made from the angle profiles
 ➔ 1.19.141...

48x48



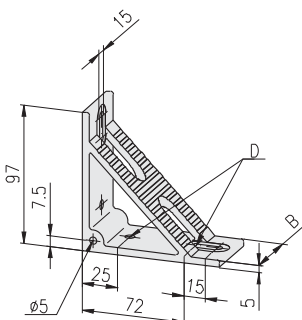
Description	D	B	Weight	Article-No.
Angle 48x48	Ø6.6	30	40 g	1.46.20536
Angle 48x48	Ø9.0	30	38 g	1.46.20539
Angle 48x48	Ø6.6	45	66 g	1.46.20546
Angle 48x48	Ø9.0	45	64 g	1.46.20549

60x60



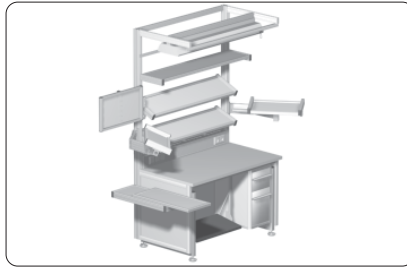
Description	D	B	Weight	Article-No.
Angle 60x60	Ø9.0	30	49 g	1.46.20639
Angle 60x60	Ø9.0	45	74 g	1.46.20649

100x100



Description	D	B	Weight	Article-No.
Angle 100x100	Ø6.6	30	95 g	1.46.21036
Angle 100x100	Ø9.0	30	93 g	1.46.21039
Angle 100x100	Ø6.6	45	155 g	1.46.21046
Angle 100x100	Ø9.0	45	153 g	1.46.21049

Swivel angles



Fastening from below



Fastening from the side

Application

Infinitely variable adjusting of inclination with swivel angle

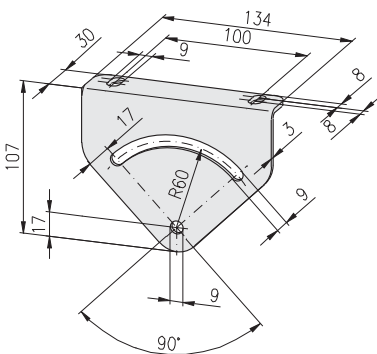
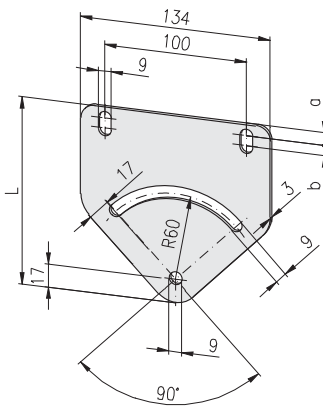
Technical data

Design alu:

- material: aluminium
- strength: F22
- surface: natural anodised

Design steel:

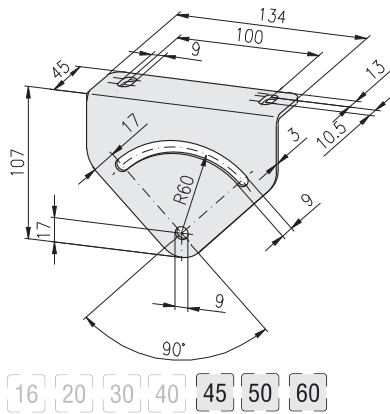
- material: steel
- surface: galvanised



- 16 20 30 40 45 50 60

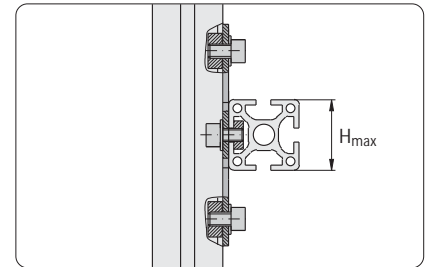
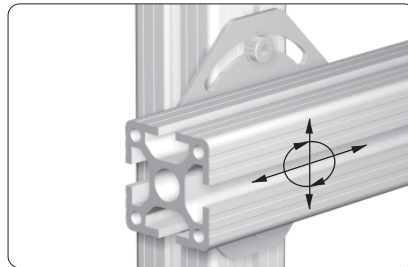
Description	L	Design	a	b	Weight	Article-No.
Swivel angle	131	alu	8	8.0	105 g	1.46.3012900.AL
Swivel angle	146	alu	13	10.5	116 g	1.46.3014400.AL
Swivel angle	131	steel	8	8.0	320 g	1.46.3012900.ST
Swivel angle	146	steel	13	10.5	360 g	1.46.3014400.ST

Description	Design	Weight	Article-No.
Swivel angle 30	alu	105 g	1.46.3110530.AL
Swivel angle 30	steel	320 g	1.46.3110530.ST



Description	Design	Weight	Article-No.
Swivel angle 45	alu	116 g	1.46.3110545.AL
Swivel angle 45	steel	360 g	1.46.3110545.ST

Cross connection plates

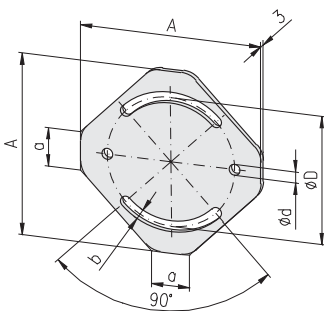


Application

The cross connection plate allows profile adjustment in 2 directions and at an angle of $\pm 45^\circ$

Technical data

material: aluminium
 strength: F22
 surface: natural anodised



Description	H _{max}	Weight	Article-No.
Cross connection plate 65×65	20	20 g	1.47.1065
Cross connection plate 85×85	30	35 g	1.47.1085
Cross connection plate 95×95	30	45 g	1.47.1095
Cross connection plate 125×125	50	80 g	1.47.1125

Type	A	a	b	ØD	Ød
65×65	65	18	5.1	45	5.1
85×85	85	18	5.1	60	5.1
95×95	95	18	6.1	65	6.1
125×125	125	37	8.1	95	8.1

Base plates



Fastening of levelling feet

Application

Base and transporting plate for profiles without centric core hole



Fastening of castors



Fastening of eye-bolts

Technical data

Design Alu:

- material: aluminium
- strength: F22
- surface: black powder-coated

Design GD-Zn:

- material: GD-Zn
- surface: black powder-coated

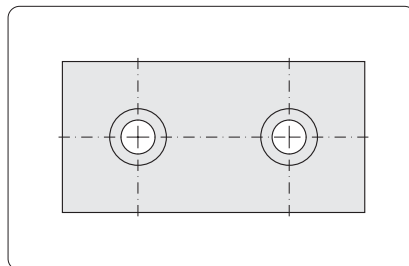
Accessories

- threaded insert
- cap-screw DIN 912

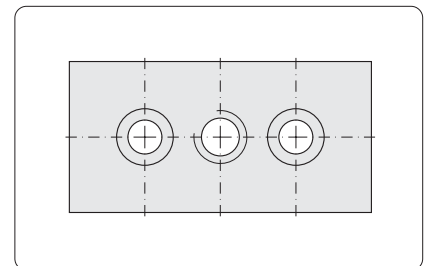
Comments

Counterbore DIN 74 for cap-screw DIN 912

Variants



without thread

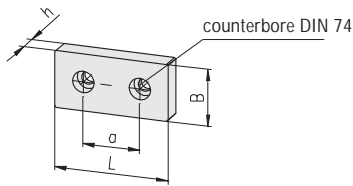


with thread

Dimensions	without thread			with thread M14		
	B×L	Design	h	Article-No.	Design	h
30×60	Alu	15	1.47.2030060.0600.1	GD-Zn	12	1.47.20306
40×80	Alu	15	1.47.2040080.0800.1	GD-Zn	16	1.47.20408
45×90	Alu	15	1.47.2045090.0800.1	GD-Zn	16	1.47.2045090
50×100	Alu	15	1.47.2050100.0800.1	GD-Zn	16	1.47.20510
60×90	Alu	15	1.47.2060090.0800.1	Alu	15	1.47.2060090
50×150	Alu	15	1.47.2050150.0800.1			
60×60	Alu	15	1.47.2060060.0800.1	GD-Zn	12	1.47.2060060
80×80	Alu	15	1.47.2080080.0800.1	GD-Zn	16	1.47.20808
90×90	Alu	15	1.47.2090090.0800.1	GD-Zn	16	1.47.2090090
100×100	Alu	15	1.47.2100100.0800.1	GD-Zn	16	1.47.21010

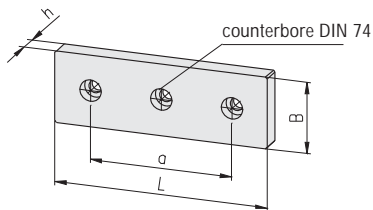
Base plates

without thread



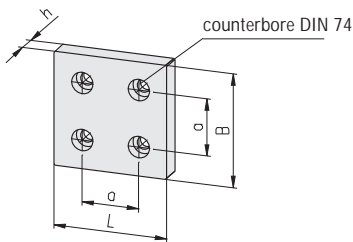
16 20 30 40 45 50 60

Description	B×L	Design	DIN 74	h	a	Weight	Article-No.
Base plate w/o thread	30×60	Alu	- Km6	15	30	64 g	1.47.2030060.0600.1
Base plate w/o thread	40×80	Alu	- Km8	15	40	114 g	1.47.2040080.0800.1
Base plate w/o thread	45×90	Alu	- Km8	15	45	148 g	1.47.2045090.0800.1
Base plate w/o thread	50×100	Alu	- Km8	15	50	186 g	1.47.2050100.0800.1
Base plate w/o thread	60×90	Alu	- Km8	15	45	202 g	1.47.2060090.0800.1



16 20 30 40 45 50 60

Description	B×L	Design	DIN 74	h	a	Weight	Article-No.
Base plate w/o thread	50×150	Alu	- Km8	15	100	280 g	1.47.2050150.0800.1

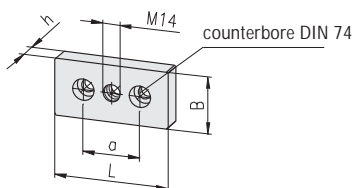


16 20 30 40 45 50 60

Description	B×L	Design	DIN 74	h	a	Weight	Article-No.
Base plate w/o thread	60×60	Alu	- Km8	15	30	115 g	1.47.2060060.0800.1
Base plate w/o thread	80×80	Alu	- Km8	15	40	228 g	1.47.2080080.0800.1
Base plate w/o thread	90×90	Alu	- Km8	15	45	297 g	1.47.2090090.0800.1
Base plate w/o thread	100×100	Alu	- Km8	15	50	374 g	1.47.2100100.0800.1

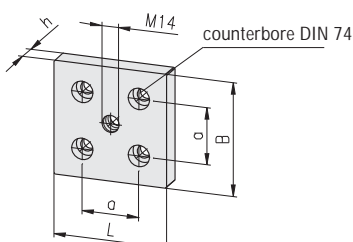
Base plates

with thread



16 20 30 40 45 50 60

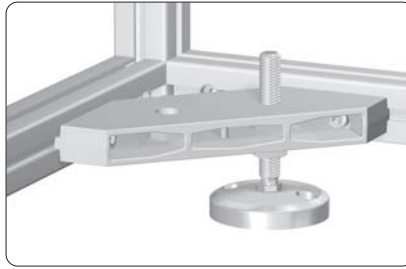
Description	B×L	Design		h	a	Weight	Article-No.
Base plate	30×60	GD-Zn	M14 M6	12	30	104.2 g	1.47.20306
Base plate	40×80	GD-Zn	M14 M8	16	40	205.2 g	1.47.20408
Base plate	45×90	GD-Zn	M14 M8	16	45	256.5 g	1.47.2045090
Base plate	50×100	GD-Zn	M14 M8	16	50	316.8 g	1.47.20510
Base plate	60×90	Alu	M14 M8	15	45	197.1 g	1.47.2060090



16 20 30 40 45 50 60

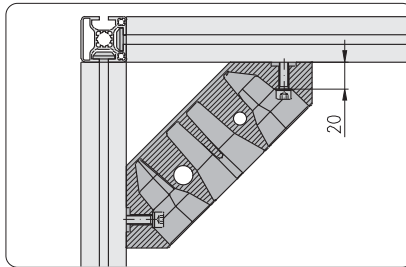
Description	B×L	Design		h	a	Weight	Article-No.
Base plate	60×60	GD-Zn	M14 M8	12	30	158.4 g	1.47.2060060
Base plate	80×80	GD-Zn	M14 M8	16	40	434.3 g	1.47.20808
Base plate	90×90	GD-Zn	M14 M8	16	45	520.7 g	1.47.2090090
Base plate	100×100	GD-Zn	M14 M8	16	50	601.0 g	1.47.21010

Floor mounting plate



Application

For fastening and manual levelling of profile racks and frames

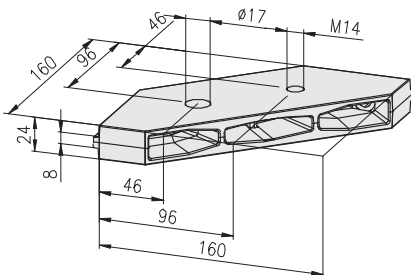


Technical data

material: aluminium
 surface: natural or black powder-coated

Fastening elements

- F-slot: 2×T-nut with leaf spring FM8 1.32.FM8
 2×cap screw M8×25
- E-slot: 2×threaded plate, heavy EM8 1.31.6EM8
 2×cap screw M8×30



Description

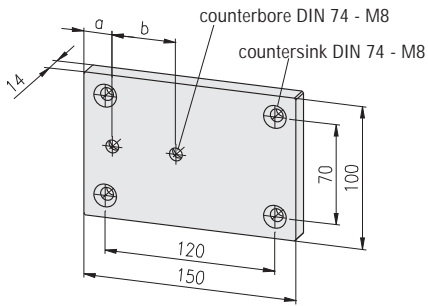
Description	Weight	Article-No.
Floor mounting plate, natural	622 g	1.47.225160.1
Floor mounting plate, black powder-coated	622 g	1.47.225160.2

Mounting plates



Application

Mounting plate for fixing on walls, table tops and machine frames



Technical data

material: aluminium
strength: F22
surface: natural anodised

Comments

Counterbore DIN 74 - M8 for cap-screw DIN 912 - M8
Countersink DIN 74 - M8 for countersunk screw DIN 7991 - M8

- 16
- 20
- 30
- 40
- 45
- 50
- 60

Description

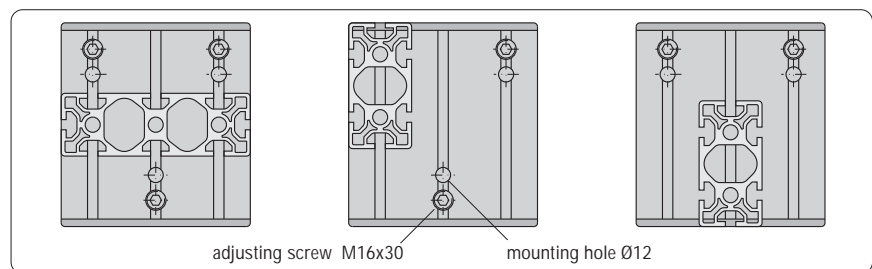
	a	b	Weight	Article-No.
Mounting plate for profile 30×60	15	30	450 g	1.47.30306
Mounting plate for profile 40×80	20	40	450 g	1.47.30408
Mounting plate for profile 50×100	25	50	450 g	1.47.30510

Floor plate

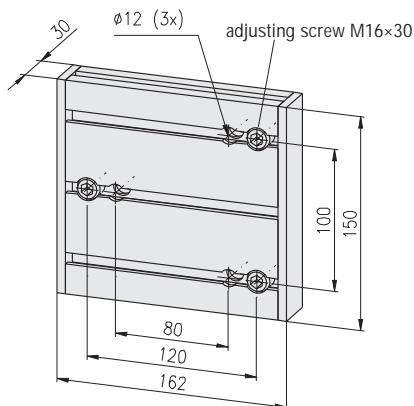


Application

For fastening and adjusting of vertical profiles to floor and wall



Fastening variants



Technical data

aluminium profile: anodised
cover caps: PA-GF black

Delivery unit:

- 1 profile 30×150×150
- 2 cover caps
- 3 set screws M16×30

- 16
- 20
- 30
- 40
- 45
- 50
- 60

Description

	Weight	Article-No.
Floor plate 30×150×150	1,100 g	1.47.40315

Connection plates



Flush connection of 2 profiles without gap



Connection of 2 profiles with gap



Fastening of the electrical trunking



Connection of the pneumatic air manifold

Application

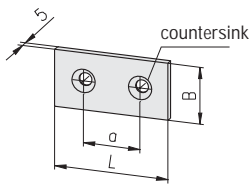
- for subsequent or additional connection of profiles
- for fastening of accessories

Technical data

material: aluminium
 strength: F22
 surface: natural anodised

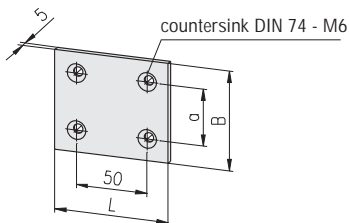
Comments

Countersink DIN 74 - M6 / M8 for countersunk screw DIN 7991 - M6 / M8



- 16 20 30 40 45 50 60

Description	B×L	Countersink	a	Weight	Article-No.
Connection plate	30×60	DIN 74 - M6	30	28 g	1.47.50306
Connection plate	40×80	DIN 74 - M8	40	38 g	1.47.50408
Connection plate	45×90	DIN 74 - M8	45	45 g	1.47.50459



- 16 20 30 40 45 50 60

Comments

Countersink DIN 74 - M6 for countersunk screw DIN 7991 - M6

Description	B×L	a	Weight	Article-No.
Connection plate	50×80	30	50 g	1.47.50508
Connection plate	70×80	40	69 g	1.47.50708
Connection plate	75×80	45	76 g	1.47.50758
Connection plate	80×80	50	81 g	1.47.50808

**Fastening plate
30×150**



Fastening of profile 30×100

Fastening of profile 30×100 with joint 30×100



Application

Fastening plate to increase the carrying capacity of detached bracket or swivel arm

- for profile 30×100
- for joint 30×100

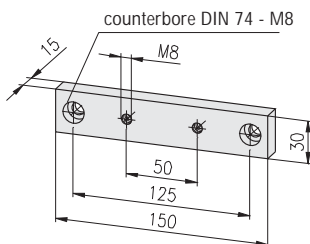
Technical data

material: aluminium
strength: F22
surface: natural anodised

max. bend-load: $M_b = F \times L$	
vertical profiles	M_b
30×30	750 Nm
40×40	1,000 Nm
50×50	1,500 Nm

Comments

Counterbore DIN 74 - M8 for cap-screw DIN 6912 - M8



- 16 20 **30** 40 45 50 60

Description

Fastening plate 30×150

Weight

228 g

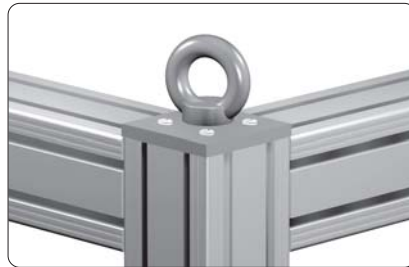
Article-No.

1.47.60315

Eye-bolt



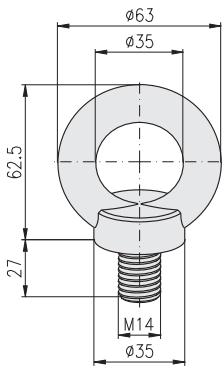
Mounting directly in the profile (core hole)



Mounting with base plates

Application

Eye-bolts for the transfer of frames and complete equipment



Technical data

material: C 15

max. load 1):

- for one eye-bolt 5,000 N
- for two eye-bolts total 7,000 N

1) The max. load given is valid only if the eye-bolt face is tightened firmly

Description

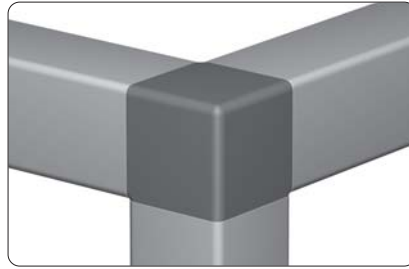
Eye-bolt M14

Weight

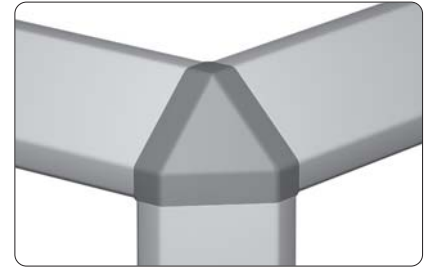
193 g

Article-No.

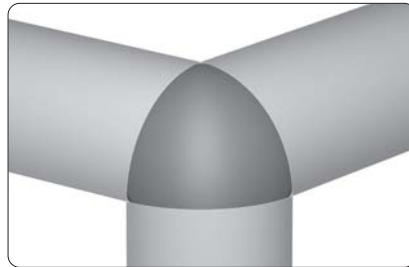
1.47.96314

Corner pieces


Corner piece set cubic PA: For the connection of three profiles 40x40



Corner piece set 45° PA: For the connection of three profiles 40x40, 2E, 45°, LP



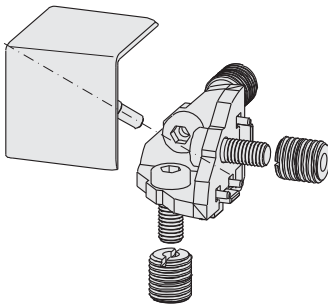
Corner piece set spherical PA: For the connection of three profiles 40x40, soft

Technical data

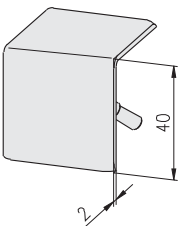
- Cover cap:
material: PA, black
- Angle:
material: GD-Zn

Delivery unit (set)

- Corner piece angle
- Corner piece cover cap
- Threaded insert M14/M8 (3 pcs)
- Cap head screw (3 pcs)

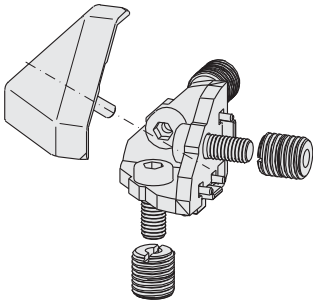
Cubic


16 20 30 40 45 50 60



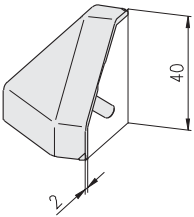
Description	Weight	Article-No.
Corner piece set cubic PA	136.0 g	1.48.14410

Description	Weight	Article-No.
Corner piece cover cap, cubic PA	15.5 g	1.48.14412

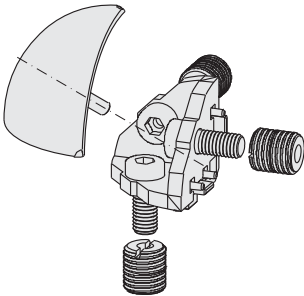
45°


16 20 30 **40** 45 50 60

Description	Weight	Article-No.
Corner piece set 45° PA	128.0 g	1.48.14440

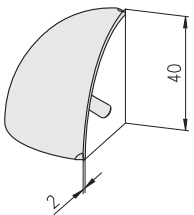


Description	Weight	Article-No.
Corner piece cover cap, 45° PA	7.5 g	1.48.14442

Spherical


16 20 30 **40** 45 50 60

Description	Weight	Article-No.
Corner piece set spherical PA	129.0 g	1.48.14480



Description	Weight	Article-No.
Corner piece cover cap, spherical PA	8.5 g	1.48.14482

Corner pieces



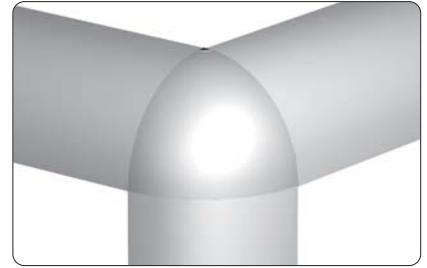
Corner pieces cubic:
Corner piece for the connection of 3 square profiles



Corner pieces segment:
Corner piece for the connection of 2 square profiles and 1 soft profile



Corner pieces segment, 2gang:
Corner piece for the connection of 2 soft profiles and 1 square profile



Corner pieces sphere:
Corner piece for the connection of 3 soft profiles

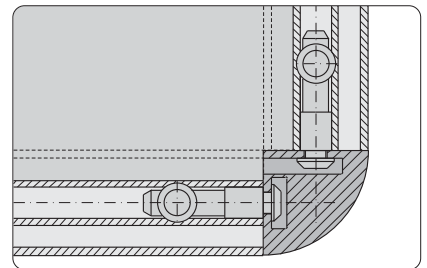
Technical data

- material: aluminium
 strength: F22
 surface:
- design anodised: natural anodised
 - design black: black powder-coated

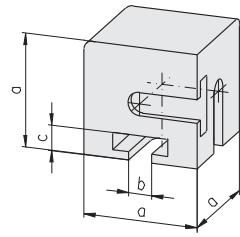
General

The attractive corner pieces are made of solid aluminium and guarantee the entire connection stability

Connection with corner pieces

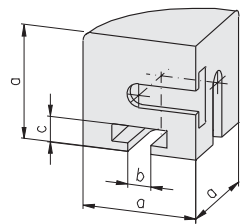


Connection of profiles with one corner piece using the standard connector

Corner pieces cubic


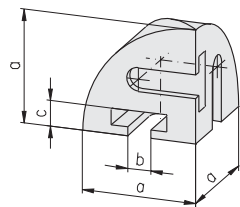
16 20 30 40 45 50 60

Description	a	Slot	b	c	Weight	Article-No.
Corner piece cubic 20, anodised	20	H	6.2	4.6	17 g	1.48.221
Corner piece cubic 30, anodised	30	F	8.2	6.2	59 g	1.48.331
Corner piece cubic 40, anodised	40	E3	8.2	9.0	135 g	1.48.441
Corner piece cubic 50, anodised	50	E4	8.2	10.0	292 g	1.48.551
Corner piece cubic 20, black	20	H	6.2	4.6	17 g	1.48.221.2
Corner piece cubic 30, black	30	F	8.2	6.2	59 g	1.48.331.2
Corner piece cubic 40, black	40	E3	8.2	9.0	135 g	1.48.441.2
Corner piece cubic 50, black	50	E4	8.2	10.0	292 g	1.48.551.2

Corner pieces segment


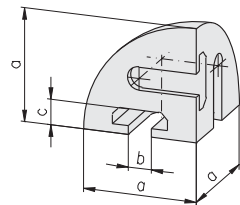
16 20 30 40 45 50 60

Description	a	Slot	b	c	Weight	Article-No.
Corner piece segment 20, anodised	20	H	6.2	4.6	12 g	1.48.222
Corner piece segment 30, anodised	30	F	8.2	6.2	43 g	1.48.332
Corner piece segment 40, anodised	40	E3	8.2	9.0	100 g	1.48.442
Corner piece segment 50, anodised	50	E4	8.2	10.0	222 g	1.48.552
Corner piece segment 20, black	20	H	6.2	4.6	12 g	1.48.222.2
Corner piece segment 30, black	30	F	8.2	6.2	43 g	1.48.332.2
Corner piece segment 40, black	40	E3	8.2	9.0	100 g	1.48.442.2
Corner piece segment 50, black	50	E4	8.2	10.0	222 g	1.48.552.2

Corner pieces segment, 2gang


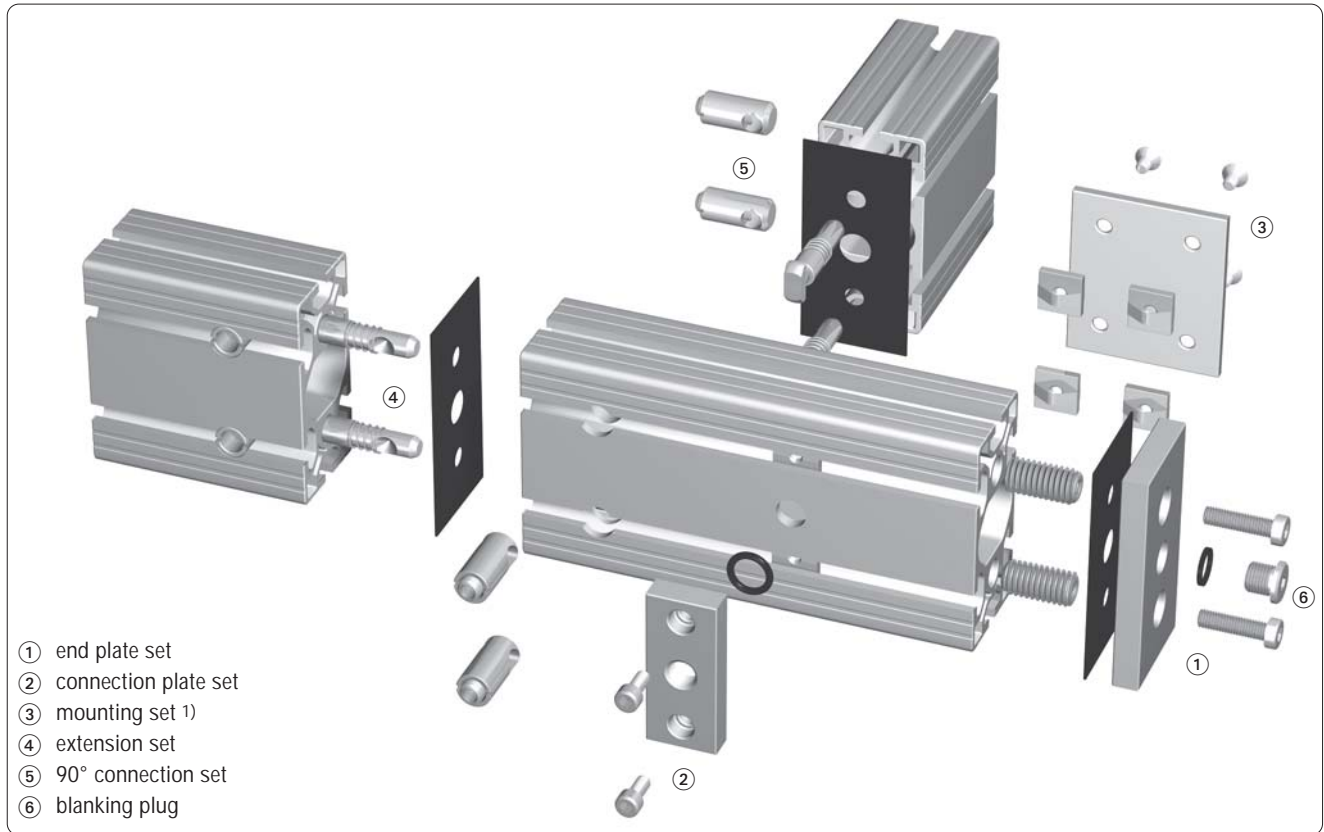
16 20 30 40 45 50 60

Description	a	Slot	b	c	Weight	Article-No.
Corner piece segment, 2gang 20, anodised	20	H	6.2	4.6	7 g	1.48.223
Corner piece segment, 2gang 30, anodised	30	F	8.2	6.2	24 g	1.48.333
Corner piece segment, 2gang 40, anodised	40	E3	8.2	9.0	57 g	1.48.443
Corner piece segment, 2gang 50, anodised	50	E4	8.2	10.0	135 g	1.48.553
Corner piece segment, 2gang 20, black	20	H	6.2	4.6	7 g	1.48.223.2
Corner piece segment, 2gang 30, black	30	F	8.2	6.2	24 g	1.48.333.2
Corner piece segment, 2gang 40, black	40	E3	8.2	9.0	57 g	1.48.443.2
Corner piece segment, 2gang 50, black	50	E4	8.2	10.0	135 g	1.48.553.2

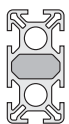



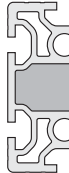
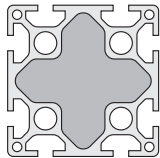
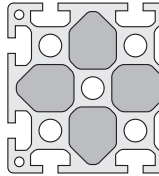
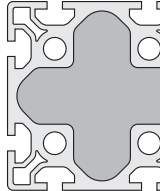
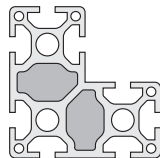

Corner pieces sphere


16 20 30 40 45 50 60

Description	a	Slot	b	c	Weight	Article-No.
Corner piece sphere 20, anodised	20	H	6.2	4.6	7 g	1.48.228
Corner piece sphere 30, anodised	30	F	8.2	6.2	24 g	1.48.338
Corner piece sphere 40, anodised	40	E3	8.2	9.0	57 g	1.48.448
Corner piece sphere 50, anodised	50	E4	8.2	10.0	135 g	1.48.558
Corner piece sphere 20, black	20	H	6.2	4.6	7 g	1.48.228.2
Corner piece sphere 30, black	30	F	8.2	6.2	24 g	1.48.338.2
Corner piece sphere 40, black	40	E3	8.2	9.0	57 g	1.48.448.2
Corner piece sphere 50, black	50	E4	8.2	10.0	135 g	1.48.558.2



1) for mounting set ⇔ connection plate 1.47.50...

Profiles for pneumatic applications				
PG 30	PG 40	PG 45	PG 50	PG 60
 Profile 30×60, 6F (pneumatic) cross-sectional area: 1) 299.8 mm ²	 Profile 40×80, 6E 1) 521.8 mm ²	 Profile 45×90, 6E 1) 816.2 mm ²	 Profile 50×100, 6E 1) 1,043.3 mm ²	 Profile 60×90, 6E 1) 1,203.0 mm ²
	 Profile 80×80, 8E 1) 2,454.1 mm ²	 Profile 90×90, 8E 1) 635.2 mm ² (4×)	 Profile 100×100, 8E 1) 4,080.4 mm ²	<div style="border: 1px solid black; padding: 5px;"> <p>Comments Any profile with closed interior chambers can also be used as pressure line max. pressure: 10 bar</p> </div>
	 Profile 80×80, 8E, angle 1) 505.7 mm ² (2×)		 Profile 50×150, 8E 1) 1,115.8 mm ² (2×)	

Pneumatic end plates



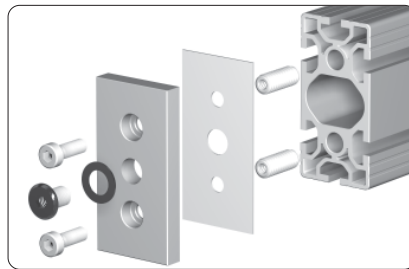
Application

- for the closing of profile ends
- vent disconnection thread

Comments

Blanking plug and reducing nipple

➔ *Pneumatic accessories 1.59*
Article-No. 1.59.010□□ and 1.59.020□□



Technical data

End plate

- material: aluminium
- strength: F22
- surface: black powder-coated

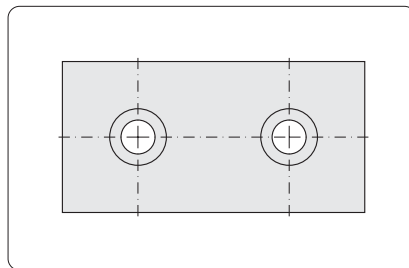
Seal

- material: NBR

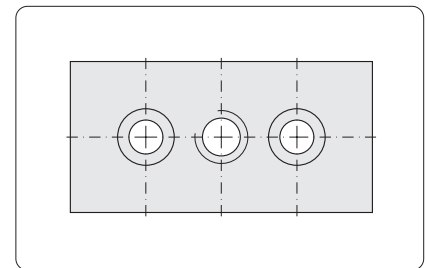
Comments

Counterbore DIN 74 - M6 / M8 for cap-screw DIN 912 - M6 / M8

Variants



without thread

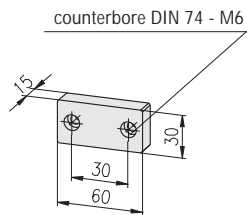


with thread

Dimensions	without thread	with thread G1/4"	with thread G1/2"
B×L	Article-No.	Article-No.	Article-No.
30×60	1.47.2030060.0600.1	1.51.13061	
40×80	1.47.2040080.0800.1		1.51.1481
45×90	1.47.2045090.0800.1		1.51.14591
50×100	1.47.2050100.0800.1		1.51.15101
50×150	1.47.2050150.0800.1		1.51.15151
60×90	1.47.2060090.0800.1		1.51.16091
80×80 Winkel	1.47.2080080W.0800.1		1.51.18082W
80×80	1.47.2080080.0800.1		1.51.18081
100×100	1.47.2100100.0800.1		1.51.20101

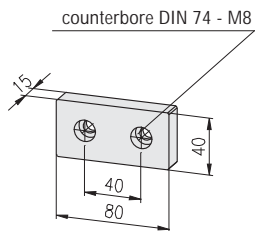
Pneumatic end plate sets

without thread

30×60


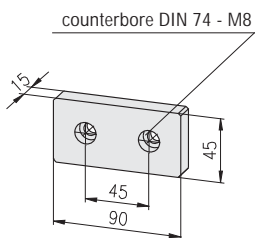
Description	Weight	Article-No.
Pneumatic end plate set w/o thread 30×60	121 g	1.47.2030060.0600.0

Single parts	Pcs.	Weight	Article-No.
Base plate w/o thread 30×60	1	64 g	1.47.2030060.0600.1
Pneumatic seal 30×60	1	3 g	1.51.13062
Threaded insert M14/M6	2	22 g	1.35.1140615
Cap-screw DIN 912 - M6×16	2	5 g	0.63.D00912.06016

40×80


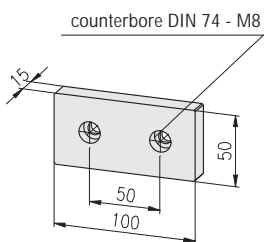
Description	Weight	Article-No.
Pneumatic end plate set w/o thread 40×80	173 g	1.47.2040080.0800.0

Single parts	Pcs.	Weight	Article-No.
Base plate w/o thread 40×80	1	114 g	1.47.2040080.0800.1
Pneumatic seal 40×80	1	5 g	1.51.14082
Threaded insert M14/M8	2	18 g	1.35.1140815
Cap-screw DIN 912 - M8×16	2	9 g	0.63.D00912.08016

45×90


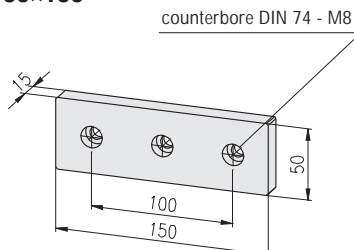
Description	Weight	Article-No.
Pneumatic end plate set w/o thread 45×90	208 g	1.47.2045090.0800.0

Single parts	Pcs.	Weight	Article-No.
Base plate w/o thread 45×90	1	148 g	1.47.2045090.0800.1
Pneumatic seal 45×90	1	6 g	1.51.14592
Threaded insert M14/M8	2	18 g	1.35.1140815
Cap-screw DIN 912 - M8×16	2	9 g	0.63.D00912.08016

50×100


Description	Weight	Article-No.
Pneumatic end plate set w/o thread 50×100	247 g	1.47.2050100.0800.0

Single parts	Pcs.	Weight	Article-No.
Base plate w/o thread 50×100	1	186 g	1.47.2050100.0800.1
Pneumatic seal 50×100	1	7 g	1.51.15102
Threaded insert M14/M8	2	18 g	1.35.1140815
Cap-screw DIN 912 - M8×16	2	9 g	0.63.D00912.08016

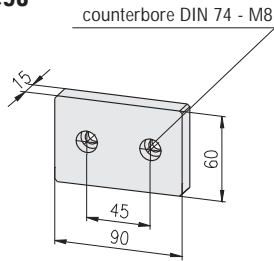
50×150


Description	Weight	Article-No.
Pneumatic end plate set w/o thread 50×150	371 g	1.47.2050150.0800.0

Single parts	Pcs.	Weight	Article-No.
Base plate w/o thread 50×150	1	280 g	1.47.2050150.0800.1
Pneumatic seal 50×150	1	10 g	1.51.15152
Threaded insert M14/M8	3	18 g	1.35.1140815
Cap-screw DIN 912 - M8×16	3	9 g	0.63.D00912.08016

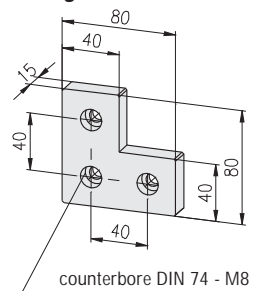
Pneumatic end plate sets
without thread

60×90



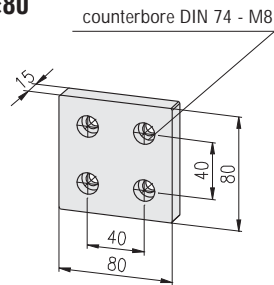
Description	Weight	Article-No.
Pneumatic end plate set w/o thread 60×90	263 g	1.47.2060090.0800.0
Single parts		
Base plate w/o thread 60×90	1 202 g	1.47.2060090.0800.1
Pneumatic seal 60×90	1 7 g	1.51.16092
Threaded insert M14/M8	2 18 g	1.35.1140815
Cap-screw DIN 912 - M8×16	2 9 g	0.63.D00912.08016

80×80 angle



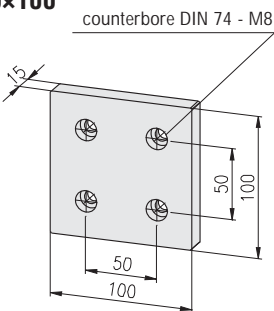
Description	Weight	Article-No.
Pneumatic end plate set w/o thread 80×80 W	260 g	1.47.2080080W.0800.0
Single parts		
Base plate w/o thread 80×80 W	1 171 g	1.47.2080080W.0800.1
Pneumatic seal 80×80 W	1 8 g	1.51.18082W
Threaded insert M14/M8	3 18 g	1.35.1140815
Cap-screw DIN 912 - M8×16	3 9 g	0.63.D00912.08016

80×80



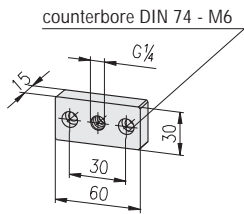
Description	Weight	Article-No.
Pneumatic end plate set w/o thread 80×80	343 g	1.47.2080080.0800.0
Single parts		
Base plate w/o thread 80×80	1 228 g	1.47.2080080.0800.1
Pneumatic seal 80×80	1 7 g	1.51.18082
Threaded insert M14/M8	4 18 g	1.35.1140815
Cap-screw DIN 912 - M8×16	4 9 g	0.63.D00912.08016

100×100

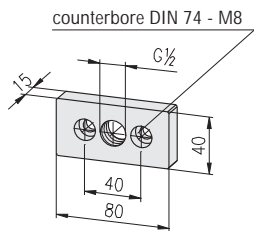


Description	Weight	Article-No.
Pneumatic end plate set w/o thread 100×100	494 g	1.47.2100100.0800.0
Single parts		
Base plate w/o thread 100×100	1 374 g	1.47.2100100.0800.1
Pneumatic seal 100×100	1 12 g	1.51.20102
Threaded insert M14/M8	4 18 g	1.35.1140815
Cap-screw DIN 912 - M8×16	4 9 g	0.63.D00912.08016

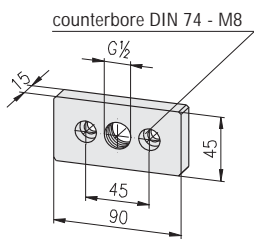
Pneumatic end plate sets
with thread

30×60


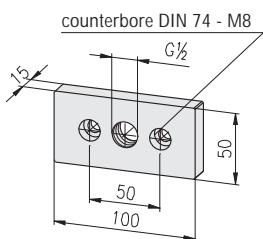
Description	Weight	Article-No.
Pneumatic end plate set 30×60	110 g	1.51.13060
Single parts		
	Pcs.	
Pneumatic end plate 30×60	1	53 g 1.51.13061
Pneumatic seal 30×60	1	3 g 1.51.13062
Threaded insert M14/M6	2	22 g 1.35.1140615
Cap-screw DIN 912 - M6×16	2	5 g 0.63.D00912.06016

40×80


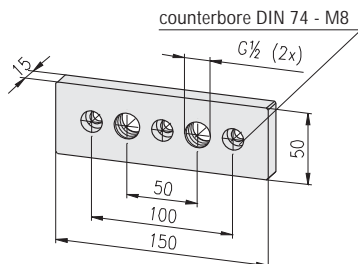
Description	Weight	Article-No.
Pneumatic end plate set 40×80	153 g	1.51.14080
Single parts		
	Pcs.	
Pneumatic end plate 40×80	1	94 g 1.51.14081
Pneumatic seal 40×80	1	5 g 1.51.14082
Threaded insert M14/M8	2	18 g 1.35.1140815
Cap-screw DIN 912 - M8×16	2	9 g 0.63.D00912.08016

45×90


Description	Weight	Article-No.
Pneumatic end plate set 45×90	179 g	1.51.14590
Single parts		
	Pcs.	
Pneumatic end plate 45×90	1	119 g 1.51.14591
Pneumatic seal 45×90	1	6 g 1.51.14592
Threaded insert M14/M8	2	18 g 1.35.1140815
Cap-screw DIN 912 - M8×16	2	9 g 0.63.D00912.08016

50×100


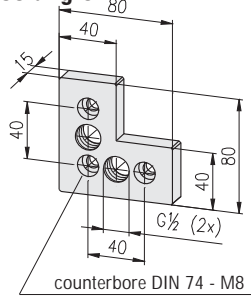
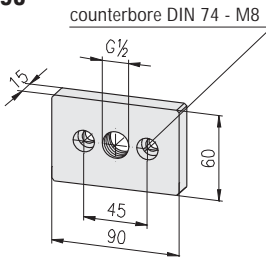
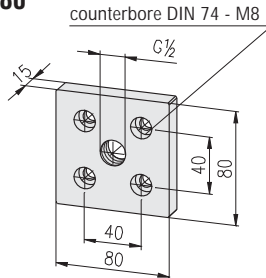
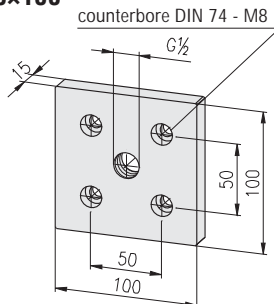
Description	Weight	Article-No.
Pneumatic end plate set 50×100	206 g	1.51.15100
Single parts		
	Pcs.	
Pneumatic end plate 50×100	1	145 g 1.51.15101
Pneumatic seal 50×100	1	7 g 1.51.15102
Threaded insert M14/M8	2	18 g 1.35.1140815
Cap-screw DIN 912 - M8×16	2	9 g 0.63.D00912.08016

50×150


Description	Weight	Article-No.
Pneumatic end plate set 50×150	322 g	1.51.15150
Single parts		
	Pcs.	
Pneumatic end plate 50×150	1	231 g 1.51.15151
Pneumatic seal 50×150	1	10 g 1.51.15152
Threaded insert M14/M8	3	18 g 1.35.1140815
Cap-screw DIN 912 - M8×16	3	9 g 0.63.D00912.08016

Pneumatic end plate sets

with thread

80×80 angle

60×90

80×80

100×100


Description	Weight	Article-No.
Pneumatic end plate set 80×80 W	271 g	1.51.18080W

Single parts	Pcs.	Weight	Article-No.
Pneumatic end plate 80×80 W	1	182 g	1.51.18081W
Pneumatic seal 80×80 W	1	8 g	1.51.18082W
Threaded insert M14/M8	3	18 g	1.35.1140815
Cap-screw DIN 912 - M8×16	3	9 g	0.63.D00912.08016

Description	Weight	Article-No.
Pneumatic end plate set 60×90	217 g	1.51.16090

Single parts	Pcs.	Weight	Article-No.
Pneumatic end plate 60×90	1	156 g	1.51.16091
Pneumatic seal 60×90	1	7 g	1.51.16092
Threaded insert M14/M8	2	18 g	1.35.1140815
Cap-screw DIN 912 - M8×16	2	9 g	0.63.D00912.08016

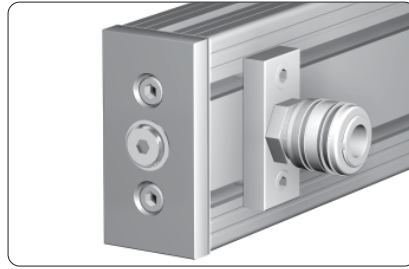
Description	Weight	Article-No.
Pneumatic end plate set 80×80	251 g	1.51.18080

Single parts	Pcs.	Weight	Article-No.
Pneumatic end plate 80×80	1	136 g	1.51.18081
Pneumatic seal 80×80	1	7 g	1.51.18082
Threaded insert M14/M8	4	18 g	1.35.1140815
Cap-screw DIN 912 - M8×16	4	9 g	0.63.D00912.08016

Description	Weight	Article-No.
Pneumatic end plate set 100×100	416 g	1.51.20100

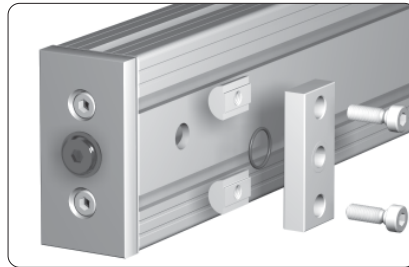
Single parts	Pcs.	Weight	Article-No.
Pneumatic end plate 100×100	1	296 g	1.51.20101
Pneumatic seal 100×100	1	12 g	1.51.20102
Threaded insert M14/M8	4	18 g	1.35.1140815
Cap-screw DIN 912 - M8×16	4	9 g	0.63.D00912.08016

Pneumatic connection plates



Application

Pneumatic connection for inlet and exhaust of air pressure



Technical data

End plate

- material: aluminium
- strength: F22
- surface: black powder-coated

O-Ring

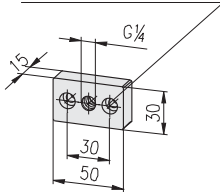
- material: NBR

Comments

Counterbore DIN 74 - M6 / M8 for cap-screw DIN 912 - M6 / M8

30×60

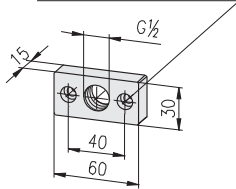
counterbore DIN 74 - M6



Description	Weight	Article-No.
Pneumatic connection plate set 30×60	59.2 g	1.52.03061
Single parts		
Pneumatic connection plate 30×60	1 40.0 g	1.52.03062
O-Ring 14×3	1 0.6 g	1.59.11403
T-Nut for subs. insertion F, M6	2 4.3 g	1.32.4FM6
Cap-screw DIN 912 - M6×12	2 5.0 g	0.63.D00912.06012

40×80

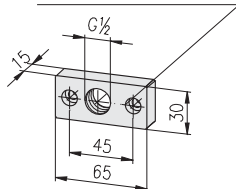
counterbore DIN 74 - M6



Description	Weight	Article-No.
Pneumatic connection plate set 40×80	80.6 g	1.52.14081
Single parts		
Pneumatic connection plate 40×80	1 50.0 g	1.52.14082
O-Ring 20×3	1 0.6 g	1.59.12003
T-Nut for subs. insertion E, M6	2 10.0 g	1.32.4EM6
Cap-screw DIN 912 - M6×16	2 5.0 g	0.63.D00912.06016

45×90

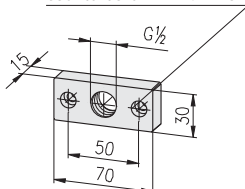
counterbore DIN 74 - M6



Description	Weight	Article-No.
Pneumatic connection plate set 45×90	84.6 g	1.52.04591
Single parts		
Pneumatic connection plate 45×90	1 5.0 g	1.52.04592
O-Ring 20×3	1 0.6 g	1.59.12003
T-Nut for subs. insertion E, M6	2 10.0 g	1.32.4EM6
Cap-screw DIN 912 - M6×16	2 5.0 g	0.63.D00912.06016

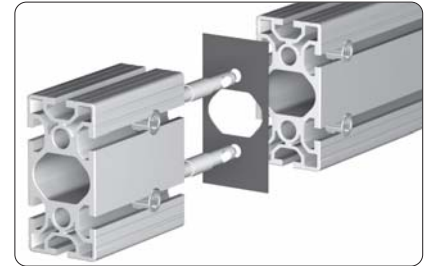
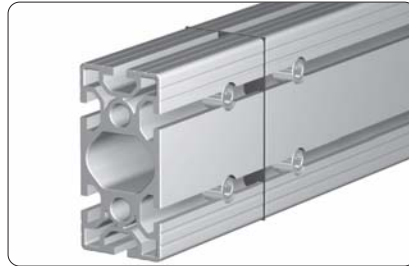
50×100

counterbore DIN 74 - M6



Description	Weight	Article-No.
Pneumatic connection plate set 50×100	90.6 g	1.52.15101
Single parts		
Pneumatic connection plate 50×100	1 60.0 g	1.52.15102
O-Ring 20×3	1 0.6 g	1.59.12003
T-Nut for subs. insertion E, M6	2 10.0 g	1.32.4EM6
Cap-screw DIN 912 - M6×16	2 5.0 g	0.63.D00912.06016

Pneumatic extension sets



For the extension of air pressurised profiles

for profile 30×60

Description	Pcs.	Weight	Article-No.
Pneumatic extension set 30×60		177 g	1.54.03061
Single parts			
Pneumatic seal 30×60	1	3 g	1.51.13062
Connector, profile extension	2	87 g	1.21.3V0

for profile 40×80

Pneumatic extension set 40×80		193 g	1.54.04081
Single parts			
Pneumatic seal 40×80	1	5 g	1.51.14082
Connector, profile extension	2	94 g	1.21.4V0

for profile 45×90

Pneumatic extension set 45×90		204 g	1.54.04591
Single parts			
Pneumatic seal 45×90	1	6 g	1.51.14592
Connector, profile extension	2	99 g	1.21.45V0

for profile 50×100

Pneumatic extension set 50×100		211 g	1.54.05101
Single parts			
Pneumatic seal 50×100	1	7 g	1.51.15102
Connector, profile extension	2	102 g	1.21.5V0

for profile 50×150

Pneumatic extension set 50×150		316 g	1.54.05151
Single parts			
Pneumatic seal 50×150	1	10 g	1.51.15152
Connector, profile extension	3	102 g	1.21.5V0

for profile 60×90

Pneumatic extension set 60×90		239 g	1.54.06091
Single parts			
Pneumatic seal 60×90	1	7 g	1.51.16092
Connector, profile extension	2	116 g	1.21.6V0

for profile 80×80 angle

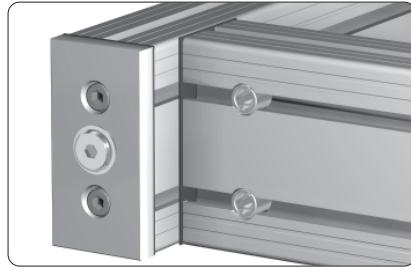
Pneumatic extension set 80×80 W		289 g	1.54.08081W
Single parts			
Pneumatic seal 80×80 W	1	7 g	1.51.18082W
Connector, profile extension	3	94g	1.21.4V0

for profile 80×80

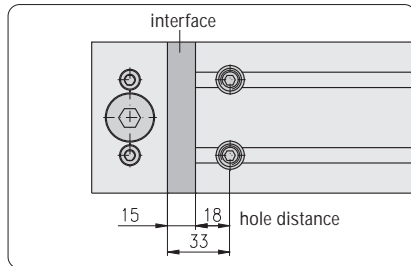
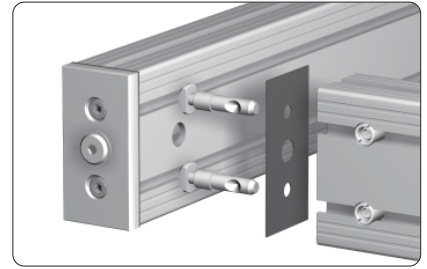
Pneumatic extension set 80×80		384 g	1.54.08081
Single parts			
Pneumatic seal 80×80	1	8 g	1.51.18082
Connector, profile extension	4	94 g	1.21.4V0

for profile 100×100

Pneumatic extension set 100×100		420 g	1.54.10101
Single parts			
Pneumatic seal 100×100	1	12 g	1.51.20102
Connector, profile extension	4	102 g	1.21.5V0

Pneumatic 90° connection sets


For 90° connections of air pressurised profiles



For the connection of profile 80×80, 100×100 a pneumatic connecting plate must be inserted to seal the chamber inside


for profile 30×60

Description	Pcs.	Weight	Article-No.
Pneumatic 90° connection set 30×60		99 g	1.55.03061
Single parts			
Pneumatic seal 30×60	1	3 g	1.51.13062
Connector, standard 90°	2	48 g	1.21.3F2

for profile 40×80

Pneumatic 90° connection set 40×80		115 g	1.55.04081
Single parts			
Pneumatic seal 40×80	1	5 g	1.51.14082
Connector, standard 90°	2	55 g	1.21.4E2

for profile 45×90

Pneumatic 90° connection set 45×90		63 g	1.55.04591
Single parts			
Pneumatic seal 45×90	1	6 g	1.51.14592
Connector, standard 90°	2	57 g	1.21.45E2

for profile 50×100

Pneumatic 90° connection set 50×100		125 g	1.55.05101
Single parts			
Pneumatic seal 50×100	1	7 g	1.51.15102
Connector, standard 90°	2	59 g	1.21.5E2

for profile 50×150

Pneumatic 90° connection set 50×150		187 g	1.55.05151
Single parts			
Pneumatic seal 50×150	1	10 g	1.51.15152
Connector, standard 90°	3	59 g	1.21.5E2

for profile 60×90

Pneumatic 90° connection set 60×90		70 g	1.55.06091
Single parts			
Pneumatic seal 60×90	1	7 g	1.51.16092
Connector, standard 90°	2	63 g	1.21.6E2

for profile 80×80

Pneumatic 90° connection set 80×80		446 g	1.55.08081
Single parts			
Pneumatic seal 80×80	1	8 g	1.51.18082
Connector, standard 90°	4	55 g	1.21.4E2
Pneumatic connecting plate	1	217 g	1.55.08084
O-Ring 20×3	1	0.6 g	1.59.12003

for profile 100×100

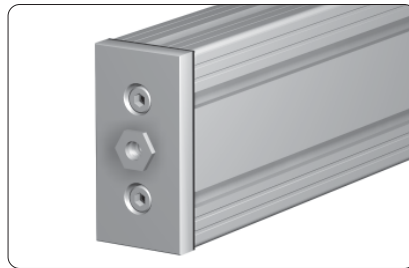
Description	Pcs.	Weight	Article-No.
Pneumatic 90° connection set 100×100		618 g	1.55.10101
Single parts			
Pneumatic seal 100×100	1	12 g	1.51.20102
Connector, standard 90°	4	55 g	1.21.5E2
Pneumatic connecting plate	1	369 g	1.55.10104
O-Ring 20×3	1	0.6 g	1.59.12003

Pneumatic accessories



Application

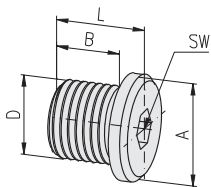
Blanking plug for the connection thread



Application

Reducing nipple to reduce the connection thread

Blanking plug



Technical data

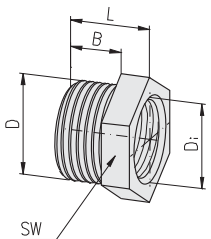
- material:
- blanking plug: steel, galvanised
 - sealing: NBR

Comments

Including sealing

Description	D	A	B	L	SW	Weight	Article-No.
Blanking plug, B-1/4"		18	12	15	6	15 g	1.59.01030
Blanking plug, B-1/2"		26	14	18	10	43 g	1.59.01050

Reducing nipple



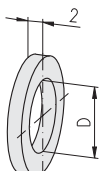
Technical data

material: brass

Description	Di	D	B	L	SW	Weight	Article-No.
Reducing nipple, 1/4" i - 3/8" a			9	14	19	14 g	1.59.02040
Reducing nipple, 3/8" i - 1/2" a			10	14	22	25 g	1.59.02050

Sealing ring

for reducing nipple



Technical data

material: PA, white

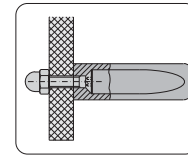
Description	D	Weight	Article-No.
Sealing ring Ø1/4"		1 g	1.59.03030
Sealing ring Ø3/8"		1 g	1.59.03040
Sealing ring Ø1/2"		2 g	1.59.03050

Handles light PA

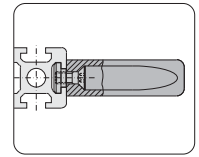


Application

For doors and drawers of light material



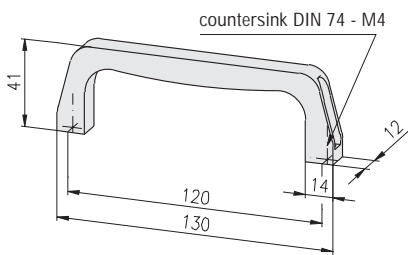
Mounting on panel elements



Mounting on profiles

Technical data

material: PA



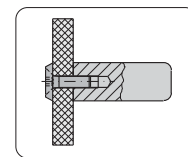
Description	Colour	Weight	Article-No.
Handle light PA	grey	30 g	1.61.20.1
Handle light PA	black	30 g	1.61.20.2

Handle light Alu

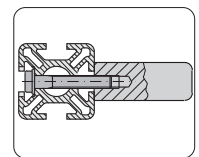


Application

For doors and drawers of light material



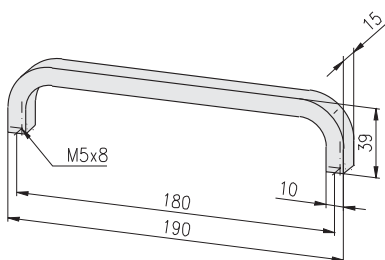
Mounting on panel elements



Mounting on profiles

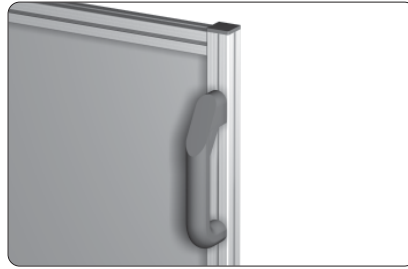
Technical data

material: aluminium
surface: natural anodised



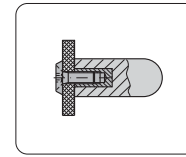
Description	Weight	Article-No.
Handle light Alu	85 g	1.61.210

Handle PA

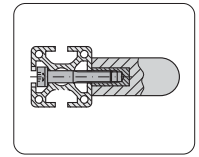


Application

Ergonomical designed handle



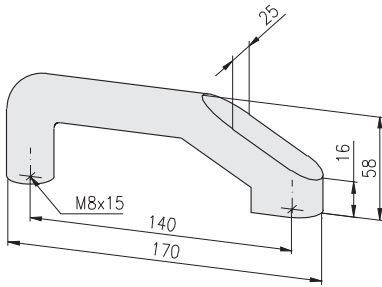
Mounting on panel elements



Mounting on profiles

Technical data

material: PA
colour: black



Description

Handle PA, with thread M8

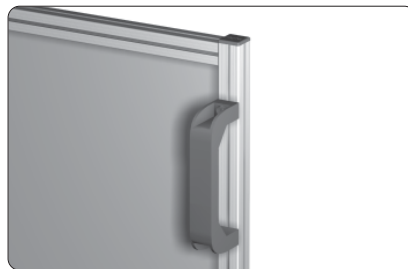
Weight

166 g

Article-No.

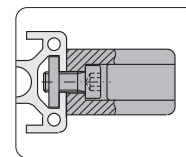
1.61.230

Handles PA

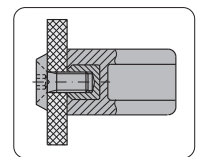


Application

Handle with fixing possibilities from the front and the rear



Handle with bore

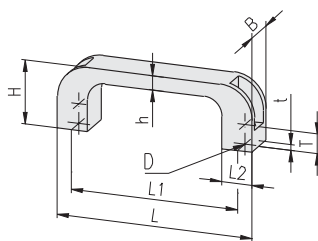


Handle with thread

Technical data

material: PA
colour: black

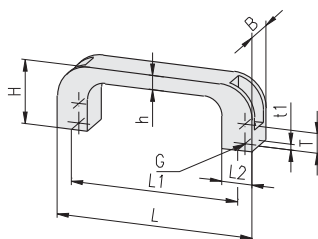
with bore



Description

Description	D	L	Weight	Article-No.
Handle PA, with bore	Ø6.5	110	24 g	1.61.24110
Handle PA, with bore	Ø6.5	139	44 g	1.61.24139
Handle PA, with bore	Ø8.5	151	64 g	1.61.24151
Handle PA, with bore	Ø8.5	200	74 g	1.61.24200
Handle PA, with bore	Ø10.5	260	114 g	1.61.24260

with thread



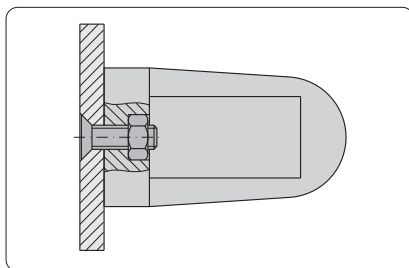
Description

Description	G	L	Weight	Article-No.
Handle PA, with thread	M6	110	30 g	1.61.25110
Handle PA, with thread	M6	139	50 g	1.61.25139
Handle PA, with thread	M8	151	70 g	1.61.25151
Handle PA, with thread	M8	200	88 g	1.61.25200
Handle PA, with thread	M10	260	125 g	1.61.25260

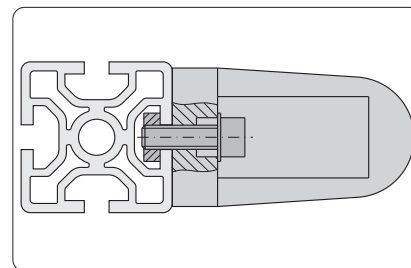
L	L1	L2	H	h	T	t	t1	B
110	94	17	37	8	13	6	10	21
139	120	20	40	10	15	6	10	24
151	132	22	43	10	16	6	15	26
200	180	25	50	11	20	9	15	28
260	235	28	53	12	21	11	15	32

**Handle system
round design****Application**

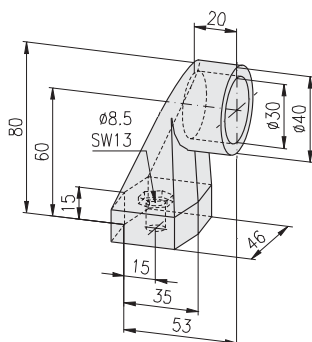
Handle system for making handles of any length



Mounting on panel elements



Mounting on profiles

Corner piece PA-GF**Technical data**

material: PA-GF
colour: black

Description

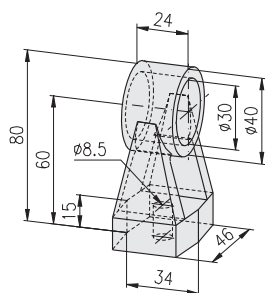
Corner piece PA-GF

Weight

76 g

Article-No.

1.61.280

Centre piece PA-GF**Technical data**

material: PA-GF
colour: black

Description

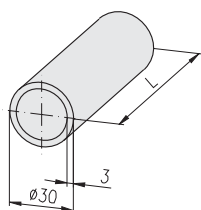
Centre piece PA-GF

Weight

53 g

Article-No.

1.61.281

Tube Ø30×3**Technical data**

material: aluminium
surface: natural anodised
tube length: 6 m

Description

Tube Ø30×3

bar 4.2 kg

Article-No.

1.19.16130.60



Tube Ø30×3

cut to length

0.7 kg/m

1.19.16130-A00A00/...

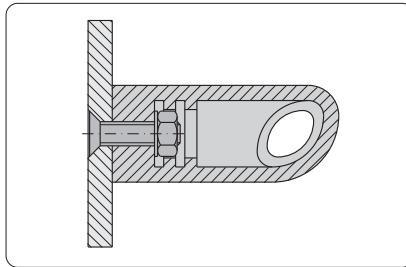
/... = length in mm

**Handle system
oval design**

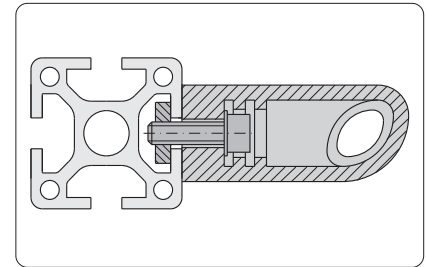


Application

Handle system for making handles of any length

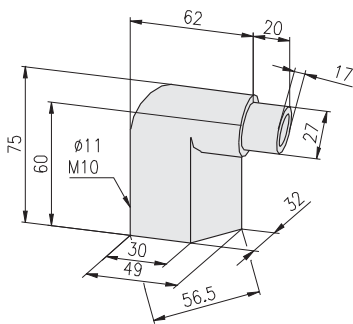


Mounting on panel elements



Mounting on profiles

Oval corner piece right



Technical data

material: PA-GF
colour: black

Description

Oval corner piece right

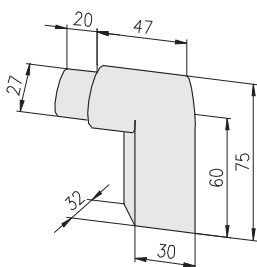
Weight

65 g

Article-No.

1.61.290

Oval corner piece left



Technical data

material: PA-GF
colour: black

Description

Oval corner piece left

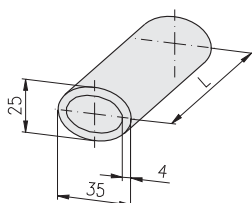
Weight

65 g

Article-No.

1.61.291

Oval tube 35x4



Technical data

material: aluminium
surface: natural anodised
tube length: 3 m

Description

Oval tube 35x4

bar

Weight

2.5 kg

Article-No.

1.61.292.30



Oval tube 35x4

cut to length

0.83 kg/m

1.61.292-A00A00/...

/... = length in mm

Grab handles



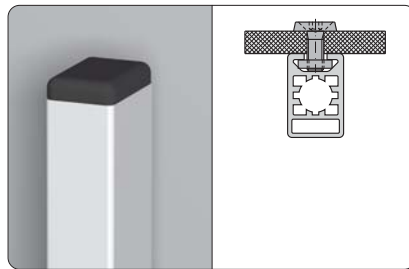
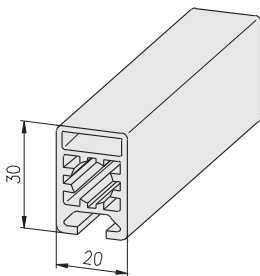
Application

Alu grip handles for customer's assembly from standard profiles

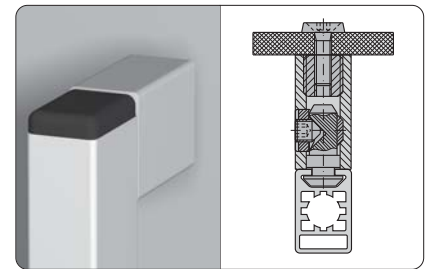
Comments

Grab handles increase the rigidity of panels without profile frames

Profile 20x30, 1F, LP



Fixing of the profile directly on the panel element



Fixing of the profile with a connecting piece on the panel element

Description

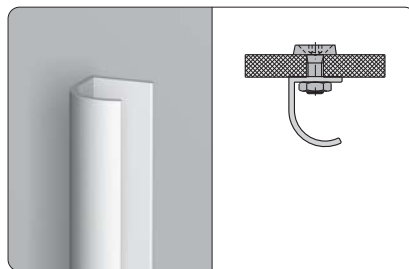
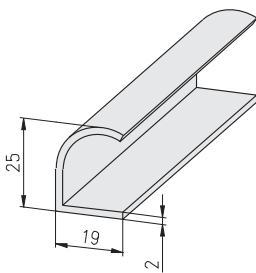
Profile 20x30, 1F, LP	cut to length	0.66 kg/m	1.11.020030.14LP-A00A00/...
-----------------------	---------------	-----------	-----------------------------

/... = length in mm

Weight

Article-No.

Grab handle profiles



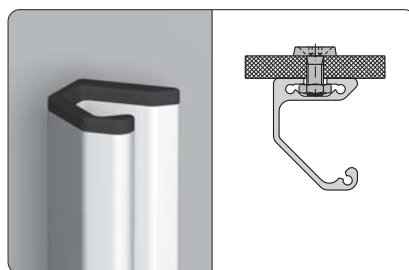
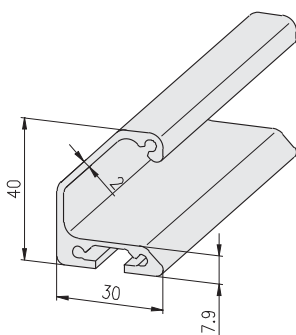
Description

Grab handle profile	cut to length	0.3 kg/m	1.19.14319-A00A00/...
---------------------	---------------	----------	-----------------------

/... = length in mm

Weight

Article-No.



Description

Grab handle profile	cut to length	0.73 kg/m	1.19.14330-A00A00/...
---------------------	---------------	-----------	-----------------------

/... = length in mm

Weight

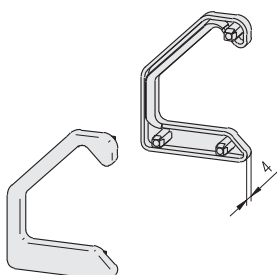
Article-No.

Technical data

material: PA-GF
colour: black

Description

Cover cap kit left/right for grab handle profile	Weight	Article-No.
	3.6 g	1.19.14330A

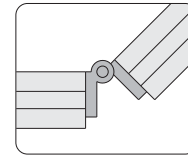


Hinges

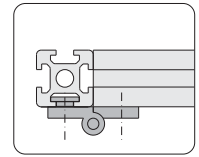


Application

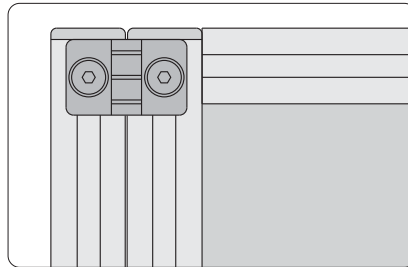
Hinge for doors and flaps of light material



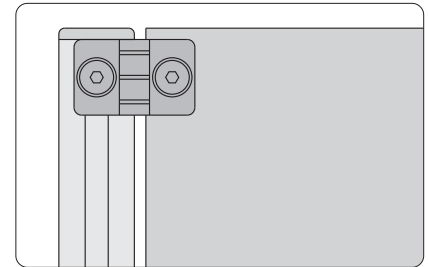
Face-sided connection of 2 profiles



Connection of 2 profiles in rectangular position

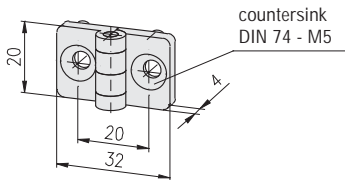


Doors with profile frames

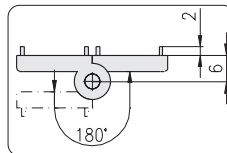


Doors made of panel elements without profile frames

Technical data			
Hinge	20x32	30x39	40x40
material:	PA-GF	PA-GF	GD-Zn, coated
colour:	black		
max. static load:	50 N	100 N	150 N



- 16
- 20
- 30
- 40
- 45
- 50
- 60

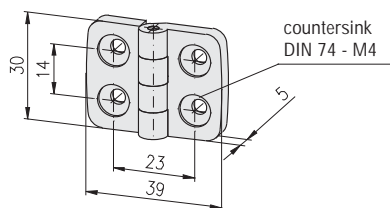


Swivel angle

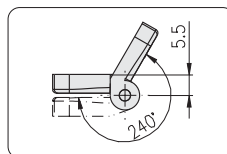
Comments

Countersink DIN 74 - M5 for countersunk screw DIN 7991 - M5

Description	Weight	Article-No.
Hinge 20x32	6 g	1.62.12032



- 16
- 20
- 30
- 40
- 45
- 50
- 60

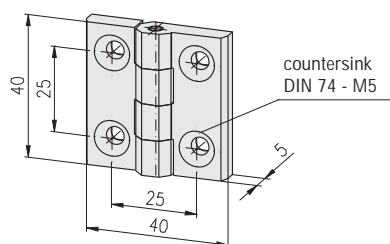


Swivel angle

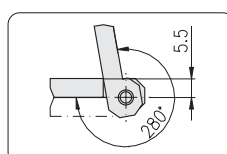
Comments

Countersink DIN 74 - M4 for countersunk screw DIN 7991 - M4

Description	Weight	Article-No.
Hinge 30x39	7.6 g	1.62.23039



- 16
- 20
- 30
- 40
- 45
- 50
- 60



Swivel angle

Comments

Countersink DIN 74 - M5 for countersunk screw DIN 7991 - M5

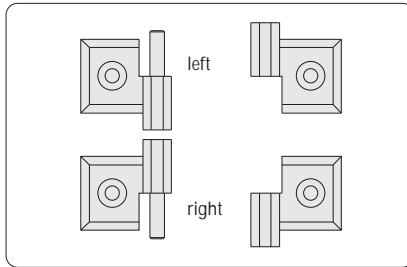
Description	Weight	Article-No.
Hinge 40x40	55 g	1.62.24040

Lift-off hinges

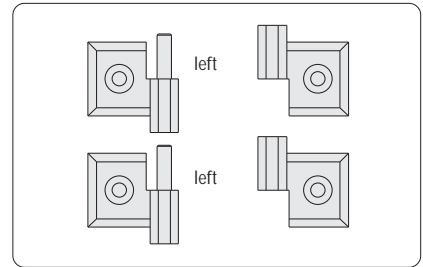


Application

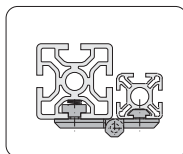
Enables the connection of different profile widths in parallel as well as in rectangular arrangement



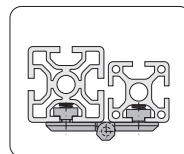
Non-liftable door with one right- and one left-sided hinge



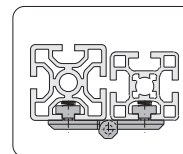
Liftable door with two similar hinges



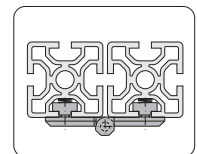
1 profile 30×30
1 profile 50×50



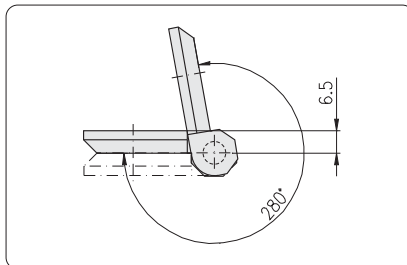
1 profile 40×40
1 profile 50×50



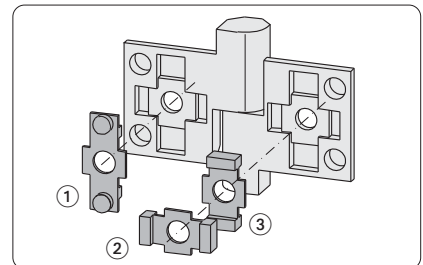
1 profile 45×45
1 profile 50×50



2 profiles 50×50



Swivel angle



Application of locking device:

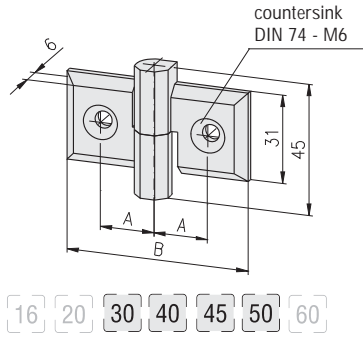
- ① for panel element
- ② for profile slot, horizontal
- ③ for profile slot, vertical

Technical data

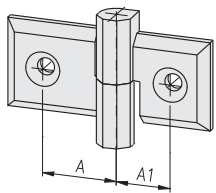
material: GD-Zn
 surface: black coated
 hinge bolt: stainless steel
 max. static load: 250 N

Comments

Countersink DIN 74 - M6 for
 countersunk screw DIN 7991 - M6



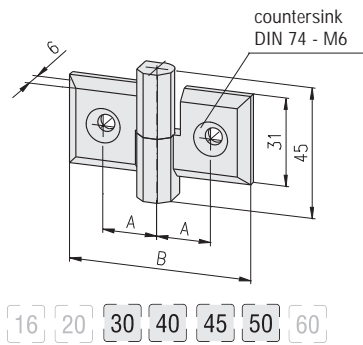
Description	A	B	Weight	Article-No.
Hinge 31,	A16.5 left	59	68 g	1.62.331.16/16L
Hinge 31,	A19.0 left	64	72 g	1.62.331.19/19L
Hinge 31,	A21.5 left	69	76 g	1.62.331.21/21L
Hinge 31,	A24.0 left	74	81 g	1.62.331.24/24L
Hinge 31,	A26.5 left	79	86 g	1.62.331.26/26L



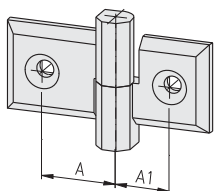
Combinations

Description	A ¹⁾	A1 ¹⁾	Article-No.
Hinge 31 ×	□□/□□	left	1.62.331.□□/□□L

¹⁾ Data without decimal places



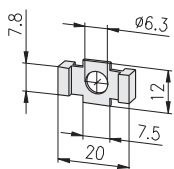
Description	A	B	Weight	Article-No.
Hinge 31,	A16.5 right	59	68 g	1.62.331.16/16R
Hinge 31,	A19.0 right	64	72 g	1.62.331.19/19R
Hinge 31,	A21.5 right	69	76 g	1.62.331.21/21R
Hinge 31,	A24.0 right	74	81 g	1.62.331.24/24R
Hinge 31,	A26.5 right	79	86 g	1.62.331.26/26R



Combinations

Description	A ¹⁾	A1 ¹⁾	Article-No.
Hinge 31 ×	□□/□□	right	1.62.331.□□/□□R

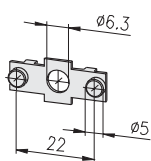
¹⁾ Data without decimal places



Technical data

material: GD-Zn
surface: bare

Description	Weight	Article-No.
Anti-twist device for slot 8 mm	4 g	1.62.331x1

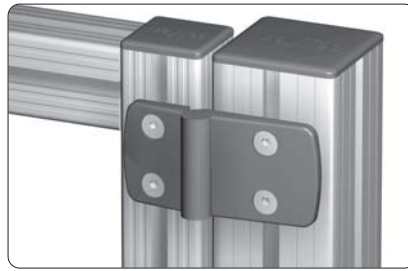


Technical data

material: GD-Zn
surface: bare

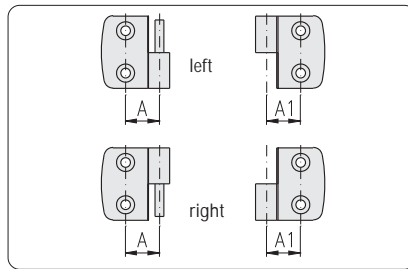
Description	Weight	Article-No.
Anti-twist device for panel element	4 g	1.62.331x2

Lift-off hinges

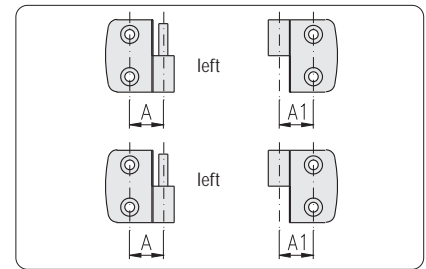


Application

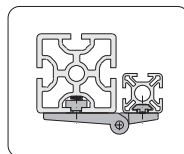
The hinges enable the connection of profiles with different widths



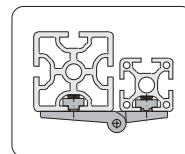
Non-liftable door with one right- and one left-sided hinge



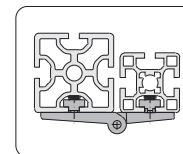
Liftable door with two similar hinges



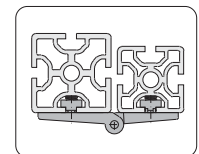
1 profile 60×60
1 profile 30×30



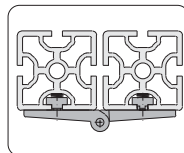
1 profile 60×60
1 profile 40×40



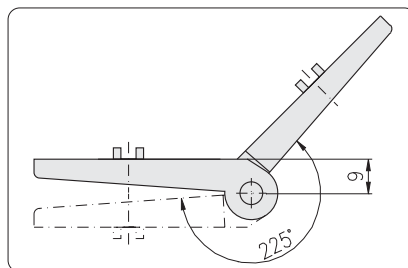
1 profile 60×60
1 profile 45×45



1 profile 60×60
1 profile 50×50



2 profiles 60×60



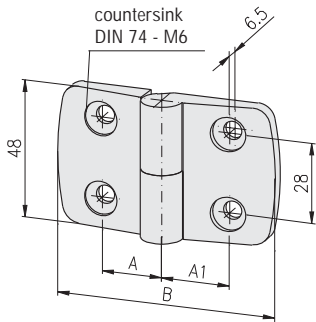
Swivel angle

Technical data

material: PA-GF
surface: black
hinge bolt: stainless steel
max. static load: 150 N

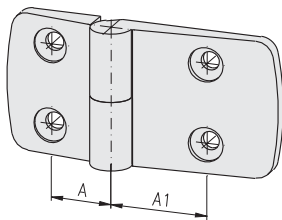
Comments

Countersink DIN 74 - M6 for
countersunk screw DIN 7991 - M6



16 20 30 40 45 50 60

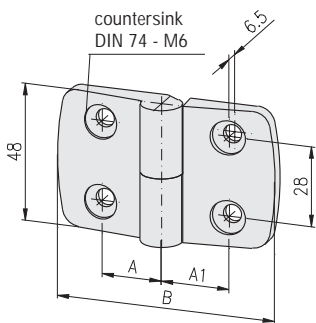
Description	A = A1	B	Weight	Article-No.
Lift-off hinge 48	A17.5, left	59	8 g	1.62.348.17/17L
Lift-off hinge 48	A22.5, left	77	10 g	1.62.348.22/22L
Lift-off hinge 48	A25.0, left	87	15 g	1.62.348.25/25L
Lift-off hinge 48	A27.5, left	97	25 g	1.62.348.27/27L
Lift-off hinge 48	A32.5, left	115	35 g	1.62.348.32/32L



Combinations

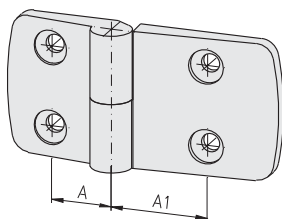
Description	A ¹⁾ A1 ¹⁾	Article-No.
Lift-off hinge 48 × □□/□□ left		1.62.348.□□/□□L

¹⁾ Data without decimal places



16 20 30 40 45 50 60

Description	A = A1	B	Weight	Article-No.
Lift-off hinge 48	A17.5, right	59	8 g	1.62.348.17/17R
Lift-off hinge 48	A22.5, right	77	10 g	1.62.348.22/22R
Lift-off hinge 48	A25.0, right	87	15 g	1.62.348.25/25R
Lift-off hinge 48	A27.5, right	97	25 g	1.62.348.27/27R
Lift-off hinge 48	A32.5, right	115	35 g	1.62.348.32/32R

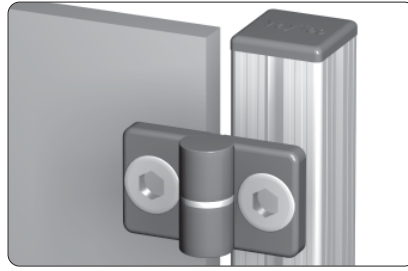


Combinations

Description	A ¹⁾ A1 ¹⁾	Article-No.
Lift-off hinge 48 × □□/□□ right		1.62.348.□□/□□R

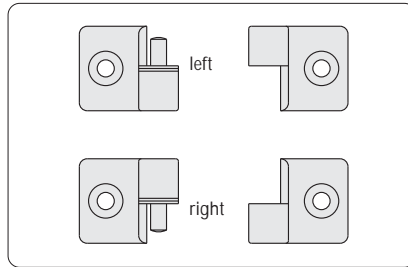
¹⁾ Data without decimal places

Hinges

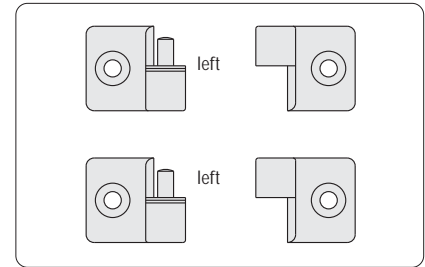


Application

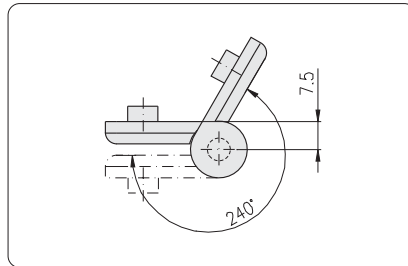
Hinge for doors and flaps of light material



Non-liftable door with one right- and one left-sided hinge



Liftable door with two similar hinges



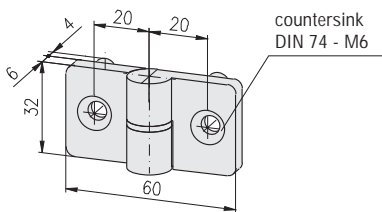
Swivel angle

Technical data

material: PA-GF
 colour: black
 max. static load: 100 N

Comments

Countersink DIN 74 - M6 for countersunk screw DIN 7991 - M6



16 20 30 40 45 50 60

Description

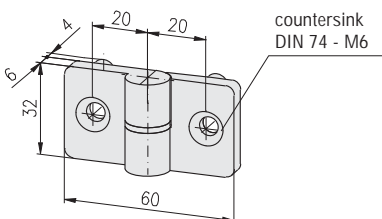
Hinge 32x60 left

Weight

21 g

Article-No.

1.62.41L



16 20 30 40 45 50 60

Description

Hinge 32x60 right

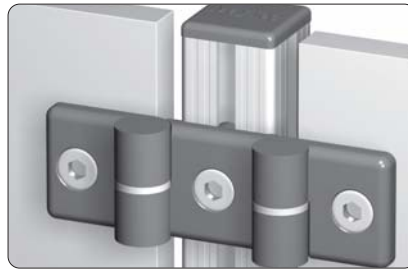
Weight

21 g

Article-No.

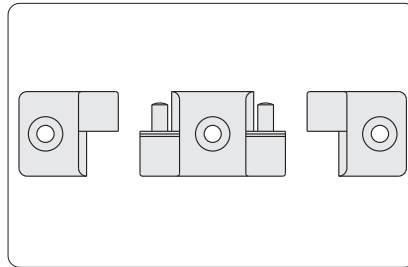
1.62.41R

Double hinge

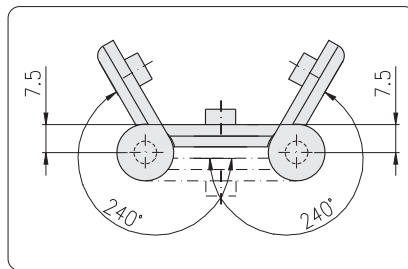


Application

Hinge for doors and flaps of light material



Liftable doors



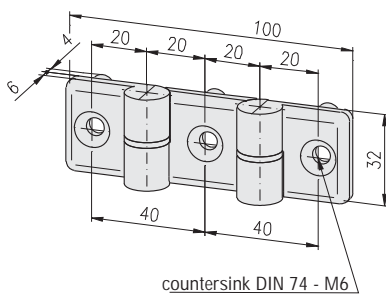
Swivel angle

Technical data

material: PA-GF
max. static load: 100 N

Comments

Countersink DIN 74 - M6 for
countersunk screw DIN 7991 - M6



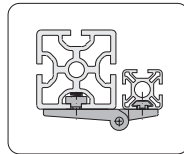
Description	Colour	Weight	Article-No.
Double hinge	grey	40 g	1.62.420.1
Double hinge	black	40 g	1.62.420.2

Hinges

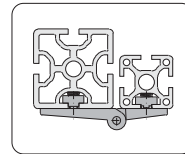


Application

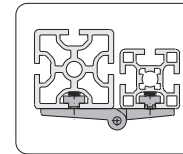
The hinges enable the connection of profiles with different widths



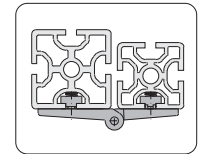
1 profile 60×60
1 profile 30×30



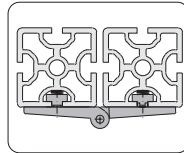
1 profile 60×60
1 profile 40×40



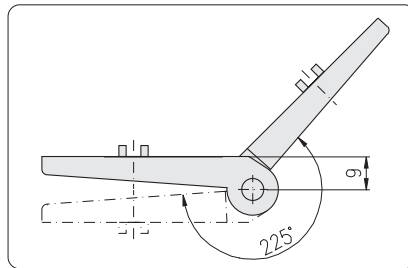
1 profile 60×60
1 profile 45×45



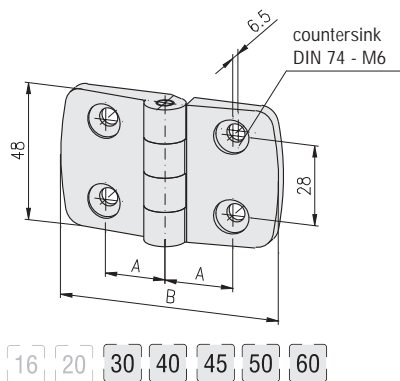
1 profile 60×60
1 profile 50×50



2 profiles 60×60



Swivel angle



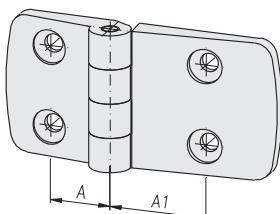
Technical data

material: PA-GF
colour: black
hinge bolt: stainless steel
max. static load: 200 N

Comments

Countersink DIN 74 - M6 for
countersunk screw DIN 7991 - M6

Description	A	B	Weight	Article-No.
Hinge 48 fixed	A17.5	59	8 g	1.62.448.17/17
Hinge 48 fixed	A22.5	77	10 g	1.62.448.22/22
Hinge 48 fixed	A25.0	87	15 g	1.62.448.25/25
Hinge 48 fixed	A27.5	97	25 g	1.62.448.27/27
Hinge 48 fixed	A32.5	115	35 g	1.62.448.32/32

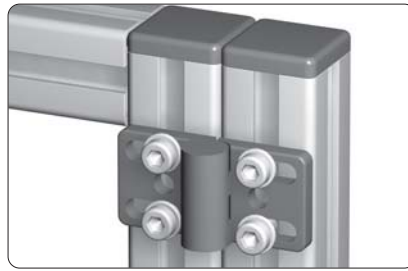


Combinations

Description	A ¹⁾	A1 ¹⁾	Article-No.
Hinge 48 fixed × □□/□□			1.62.448.□□/□□

¹⁾ Data without decimal places

**Hinge
30x60**

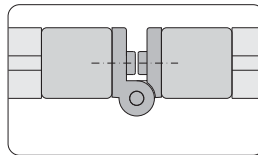


Application

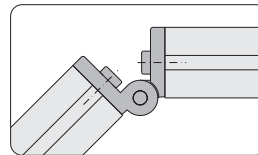
Hinge or higher loads such as doors with profile frames

Technical data

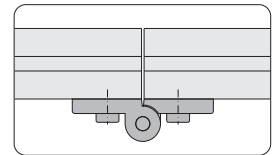
material: GD-Zn
 colour: black
 surface: coated
 max. static load: 400 N



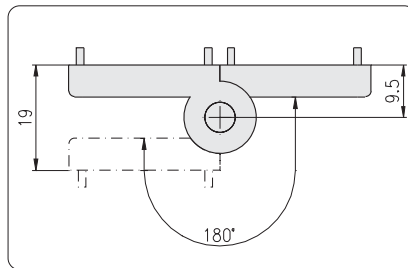
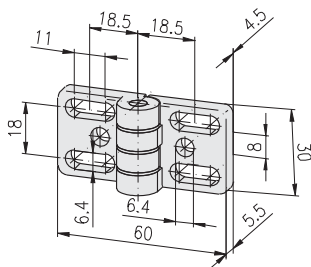
Connection of 2 vertical profiles, all anti-twist safety devices removed



Face-sided connection of 2 profiles, with anti-twist safety device



Connection of 2 horizontal profiles, with anti-twist safety device



Swivel angle

- 16
- 20
- 30
- 40
- 45
- 50
- 60

Description

Hinge 30x60

Weight

68.8 g

Article-No.

1.62.51030060

**Hinge
40x80**

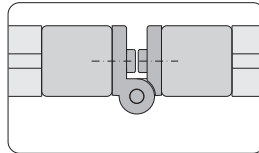


Application

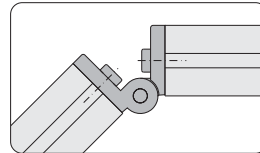
Hinge or higher loads such as doors with profile frames

Technical data

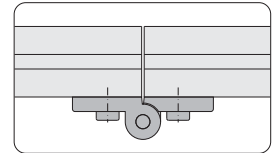
material: GD-Zn
 colour: black
 surface: coated
 max. static load: 750 N



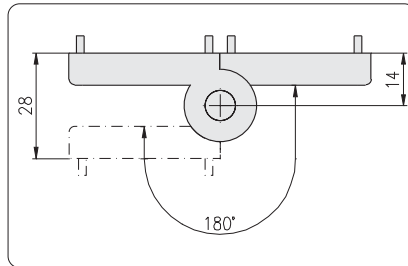
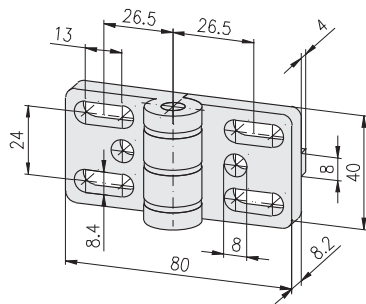
Connection of 2 vertical profiles, all anti-twist safety devices removed



Face-sided connection of 2 profiles, with anti-twist safety device



Connection of 2 horizontal profiles, with anti-twist safety device



Swivel angle

- 16
- 20
- 30
- 40
- 45
- 50
- 60

Description

Hinge 40x80

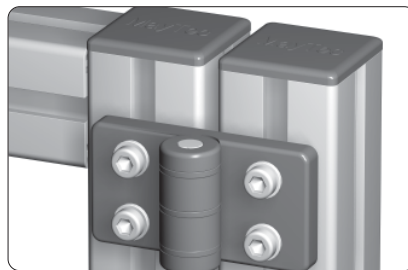
Weight

180 g

Article-No.

1.62.520

**Hinges
40x80**

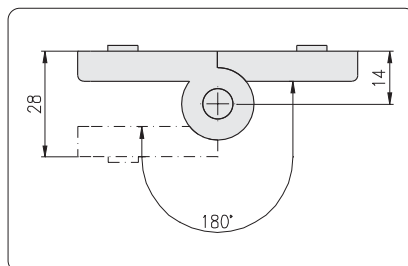


Application

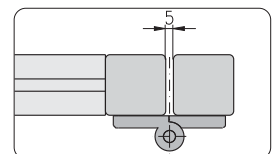
Hinge or higher loads such as doors with profile frames

Technical data

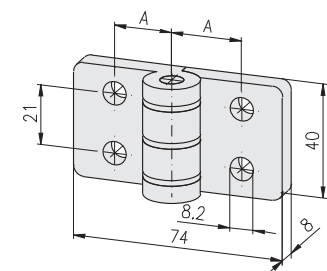
material: GD-Zn
 colour: black
 surface: powder-coated
 max. static load: 750 N



Swivel angle



Connection of 2 vertical profiles



Fastening elements:

- PG 40: T-Nut for subs. insertion E, M8 1.32.4EM8
- PG 45: T-Nut E, M8 1.32.EM8
- PG 40/45: Threaded plate E, M8 1.31.EM8

- 16
- 20
- 30
- 40
- 45
- 50
- 60

Description

Hinge 40x80 for PG 40
 Hinge 40x80 for PG 45

A

22.5
 25.0

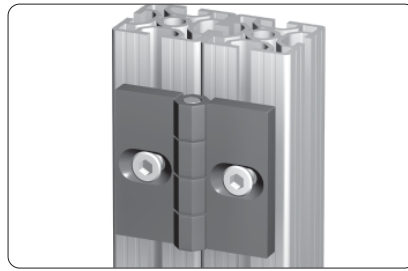
Weight

194 g
 194 g

Article-No.

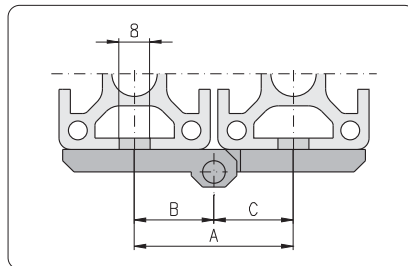
1.62.53045
 1.62.53050

Hinges

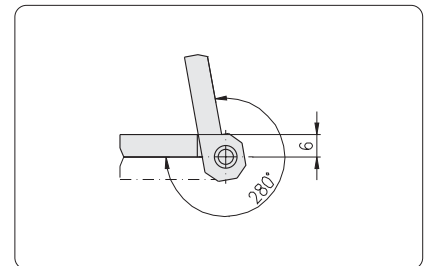


Application

Hinge with detachable fixing plug for different slot distances



Doors with profile frames



Swivel angle

Technical data

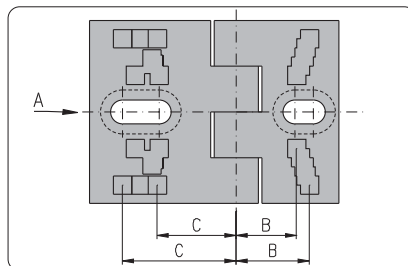
material: GD-Zn
 surface: coated
 colour: black
 max. static load: 250 N

Comments

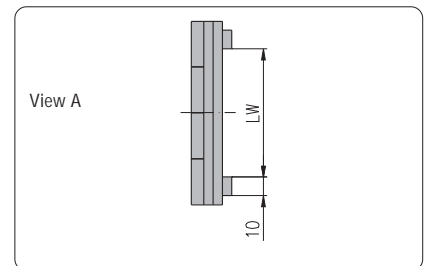
Countersink DIN 74 - M6 for countersunk screw DIN 7991 - M6

Delivery unit

Including 4 plugs for F- and E-slot



Distances for positioning plugs



Possibilities of fastening

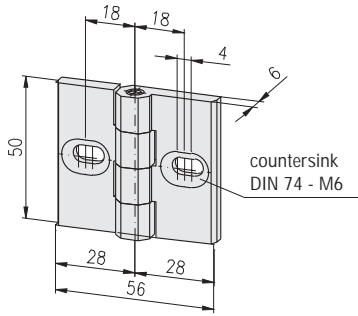
Legend

LW = width
 G = threaded plate 1.31.□□□
 T = T-Nut 1.32.4□□

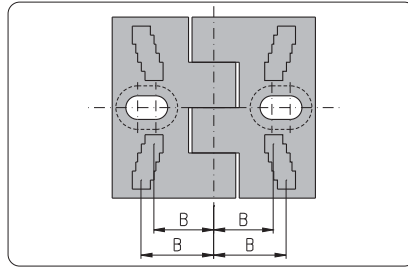
		short flange					
		slots					
		F		E3		E4	
B	LW	G	T	G	T	G	T
16.5	11	-	-	x	-	x	x
17.5	14.75	x	x	x	-	x	x
18.5	20.5	x	x	x	x	x	x
19	25.25	x	x	x	x	x	x
20	30	x	x	x	x	x	x

		long flange					
		slots					
		F		E3		E4	
C	LW	G	T	G	T	G	T
21	11	-	-	x	-	x	x
21.5	30	x	x	x	x	x	x
23.5	19	x	x	x	-	x	x
26	30	x	x	x	x	x	x
27.5	11	-	-	x	-	x	x
31	30	x	x	x	x	x	x

Hinge 50x56



- 16
- 20
- 30
- 40
- 45
- 50
- 60



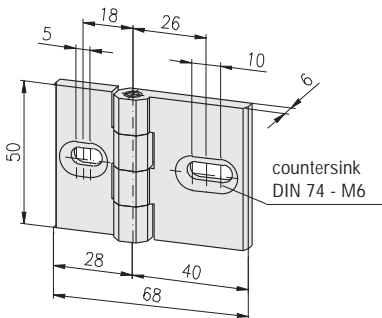
Rear view: plug assignment

2 short flanges

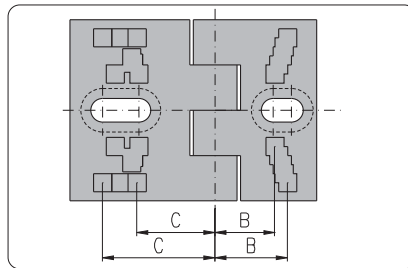
B
16.5
17.5
18.5
19
20

Description	Weight	Article-No.
Hinge 50x56	112 g	1.62.65056

Hinge 50x68



- 16
- 20
- 30
- 40
- 45
- 50
- 60



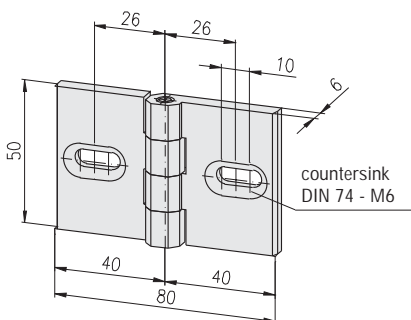
Rear view: plug assignment

1 short flange, 1 long flange

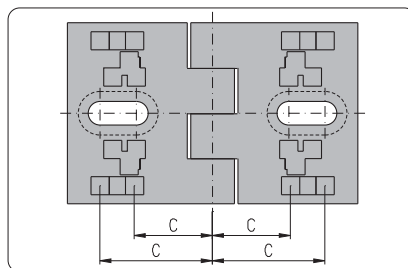
B	C
16.5	21
17.5	21.5
18.5	23.5
19	26
20	27.5
	31

Description	Weight	Article-No.
Hinge 50x68	130 g	1.62.65068

Hinge 50x80



- 16
- 20
- 30
- 40
- 45
- 50
- 60



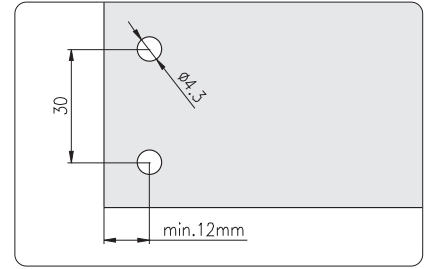
Rear view: plug assignment

2 long flanges

C
21
21.5
23.5
26
27.5
31

Description	Weight	Article-No.
Hinge 50x80	130 g	1.62.65080

Alu hinges



Distance of drill holes for panel elements of acrylic glass

Application

For doors of light material with or without profile frame, each hinge element can be combined

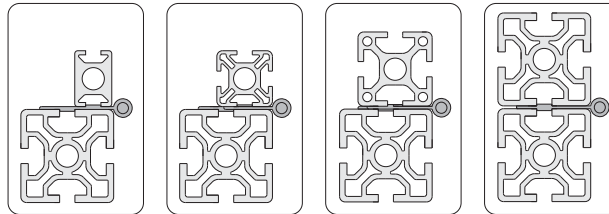
Technical data

material: aluminium Al Mg Si 0.5
 strength: F 25
 surface: natural anodised
 max. static load: 100 N

Comments

Countersink DIN 74 - M4 for
 countersunk screw DIN 7991 - M4

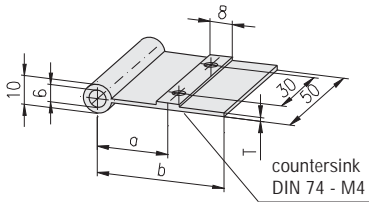
Type A



1 profile 20x30 1 profile 30x30 1 profile 40x40 2 profiles 50x50
 1 profile 50x50 1 profile 50x50 1 profile 50x50

Connection:

- profile to profile
- leg built-in covered
- hinge elements:
 Type A
 Type A

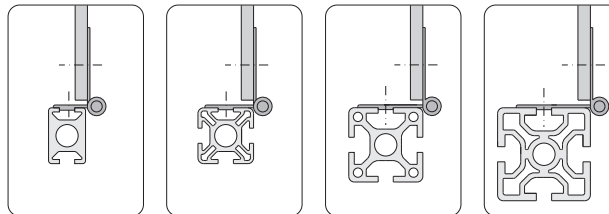


- 16 20 30 40 45 50 60

Description

	T	a	b	Weight	Article-No.
Hinge element Type A, PG 20, F	1.5	15.3	21	10 g	1.62.7120
Hinge element Type A, PG 30	1.5	20.3	29	11 g	1.62.7130
Hinge element Type A, PG 30	3.0	20.3	29	15 g	1.62.7130.030
Hinge element Type A, PG 40	1.5	25.3	37	13 g	1.62.7140
Hinge element Type A, PG 40	3.0	25.3	37	19 g	1.62.7140.030
Hinge element Type A, PG 50	1.5	30.3	45	14 g	1.62.7150
Hinge element Type A, PG 50	3.0	30.3	45	21 g	1.62.7150.030

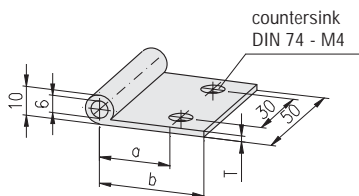
Type B



profile 20x30 profile 30x30 profile 40x40 profile 50x50

Connection:

- profile to panel element
- leg one side visible
- hinge elements:
 Type A
 Type B

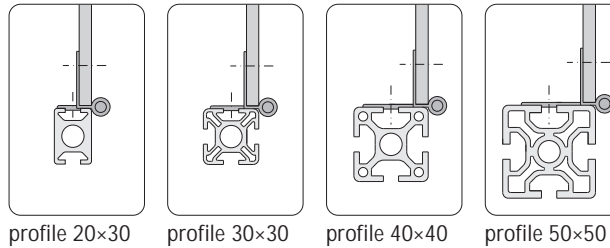


- 16 20 30 40 45 50 60

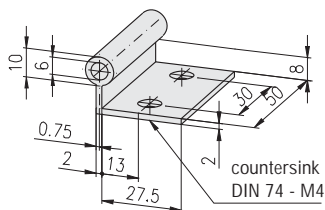
Description

	T	a	b	Weight	Article-No.
Hinge element Type B, PG 20	2.0	15.3	21	11 g	1.62.7220
Hinge element Type B, PG 20	3.0	15.3	21	13 g	1.62.7220.030
Hinge element Type B, PG 30	2.0	20.3	29	11 g	1.62.7230
Hinge element Type B, PG 30	3.0	20.3	29	13 g	1.62.7230.030
Hinge element Type B, PG 40	2.0	25.3	37	13 g	1.62.7240
Hinge element Type B, PG 40	3.0	25.3	37	16 g	1.62.7240.030
Hinge element Type B, PG 50	2.0	30.3	45	14 g	1.62.7250
Hinge element Type B, PG 50	3.0	30.3	45	18 g	1.62.7250.030

Type C

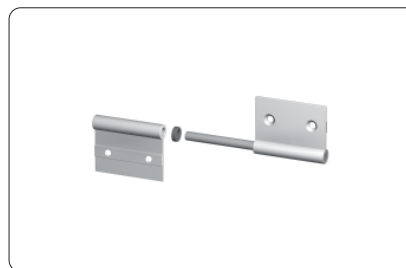


- Connection:**
- Profile to panel element
 - leg built-in covered
 - hinge elements:
 - Type A
 - Type C

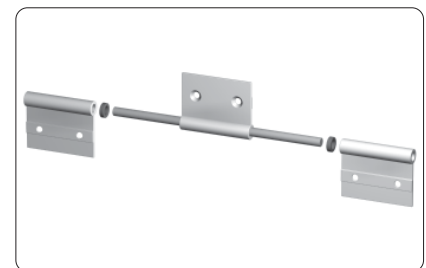


Description	Weight	Article-No.
Hinge element Type C, 30 mm	15 g	1.62.7330

Press-fit pins
for alu hinges

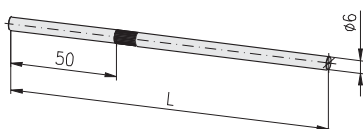


Press-fit pin for one sided installation



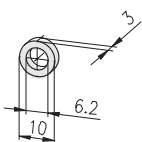
Press-fit pin for two sided installation

Technical data
material: steel
surface: galvanised



Description	L	Weight	Article-No.
Press-fit pin $\varnothing 6$	100	29 g	1.62.7910
Press-fit pin $\varnothing 6$	150	33 g	1.62.7915

Spacer



Technical data
material: PE
colour: black

Description	Weight	Article-No.
Spacer	1 g	1.62.7810

Alu hinges, heavy



Application

Hinge for higher loads such as doors with profile frames

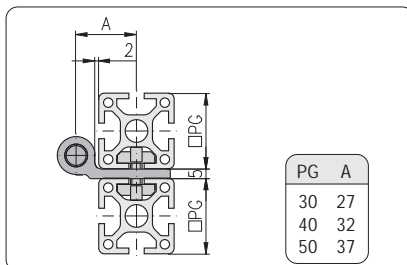
Technical data

hinge material: aluminium
 strength: F25
 surface: natural anodised
 bolt material: steel
 stainless steel

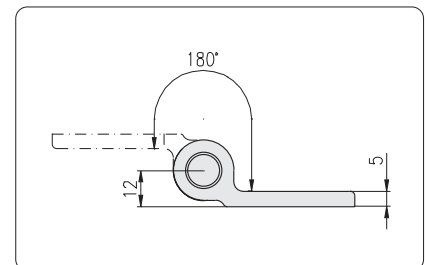


Comments

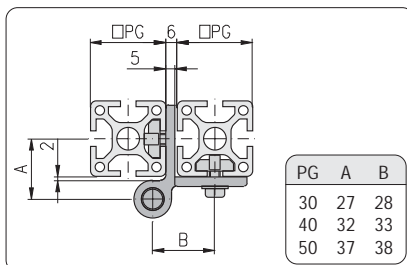
Countersink DIN 74 - M8 for countersunk screw DIN 7991 - M8



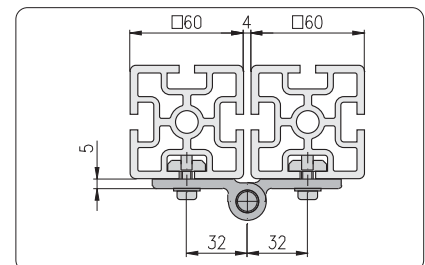
Application: Type 20



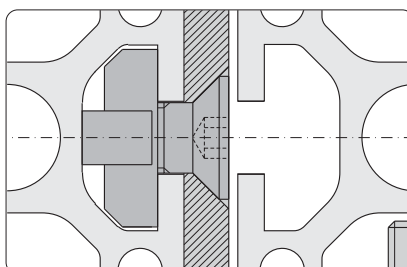
Swivel angle: Type 20



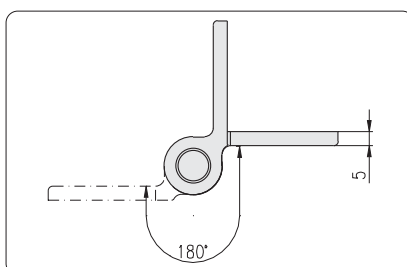
Application: Type 21, 22, 23, 31 with profiles PG 40/50



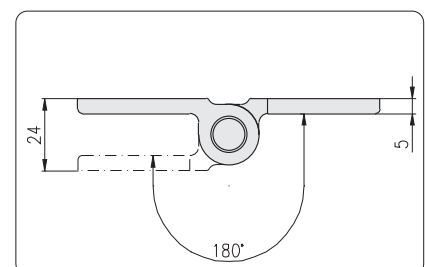
Application: Type 21, 22, 23, 31 with profiles PG 60



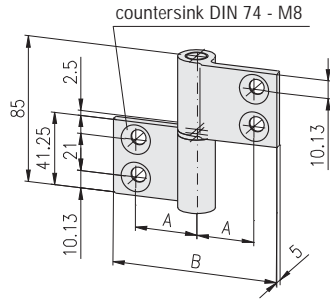
Application: Type 21, 22, 23, 31 with profiles PG 30/40/50



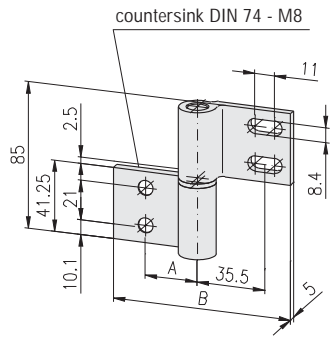
Swivel angle: Type 21, 22, 23, 31 at application with profiles PG 30/40/50



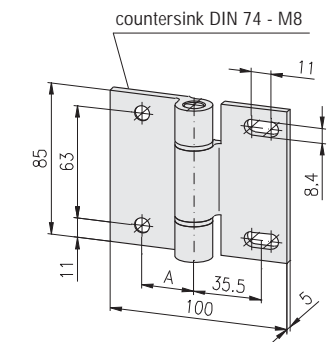
Swivel angle: Type 21, 22, 23, 31 at application with profiles PG 60



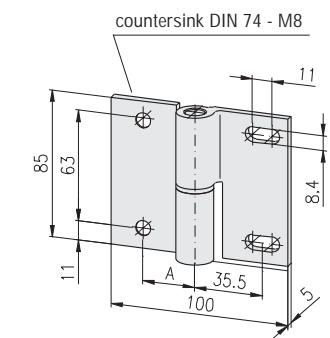
Description	Bolt	A	B	Weight	Article-No.
Alu hinge, heavy, type 20, PG 30	steel	27	78	130 g	1.62.842027085
Alu hinge, heavy, type 20, PG 40	steel	32	100	166 g	1.62.842032085
Alu hinge, heavy, type 20, PG 50	steel	37	100	166 g	1.62.842037085
Alu hinge, heavy, type 20, PG 30	stainless	27	78	130 g	1.62.842027085V
Alu hinge, heavy, type 20, PG 40	stainless	32	100	166 g	1.62.842032085V
Alu hinge, heavy, type 20, PG 50	stainless	37	100	166 g	1.62.842037085V



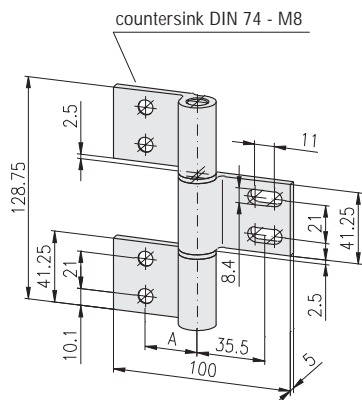
Description	Bolt	A	B	Weight	Article-No.
Alu hinge, heavy, type 21, PG 30/30-50	steel	27	89	123 g	1.62.842127085
Alu hinge, heavy, type 21, PG 40/40-50	steel	32	100	159 g	1.62.842132085
Alu hinge, heavy, type 21, PG 50	steel	37	100	159 g	1.62.842137085
Alu hinge, heavy, type 21, PG 30/30-50	stainless	27	89	123 g	1.62.842127085V
Alu hinge, heavy, type 21, PG 40/40-50	stainless	32	100	159 g	1.62.842132085V
Alu hinge, heavy, type 21, PG 50	stainless	37	100	159 g	1.62.842137085V



Description	Bolt	A	Weight	Article-No.
Alu hinge, heavy, type 22, PG 40/40-50	steel	32	261 g	1.62.842232085
Alu hinge, heavy, type 22, PG 50	steel	37	261 g	1.62.842237085
Alu hinge, heavy, type 22, PG 40/40-50	stainless	32	261 g	1.62.842232085V
Alu hinge, heavy, type 22, PG 50	stainless	37	261 g	1.62.842237085V

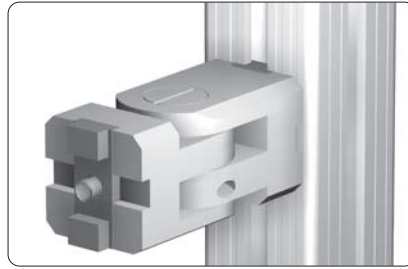


Description	Bolt	A	Weight	Article-No.
Alu hinge, heavy, type 23, PG 40/40-50	steel	32	258 g	1.62.842332085
Alu hinge, heavy, type 23, PG 50	steel	37	258 g	1.62.842337085
Alu hinge, heavy, type 23, PG 40/40-50	stainless	32	258 g	1.62.842332085V
Alu hinge, heavy, type 23, PG 50	stainless	37	258 g	1.62.842337085V

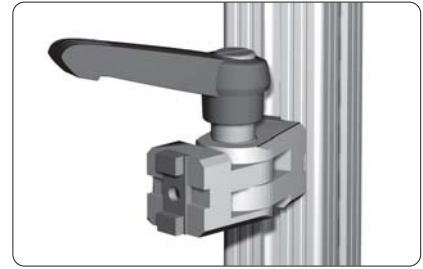


Description	Bolt	A	Weight	Article-No.
Alu hinge, heavy, type 31, PG 40/40-50	steel	32	245 g	1.62.843132128
Alu hinge, heavy, type 31, PG 50	steel	37	245 g	1.62.843137128
Alu hinge, heavy, type 31, PG 40/40-50	stainless	32	245 g	1.62.843132128V
Alu hinge, heavy, type 31, PG 50	stainless	37	245 g	1.62.843137128V

Joints
with / without clamping lever



The MayTec clamping system allows backlash free adjusting and clamping



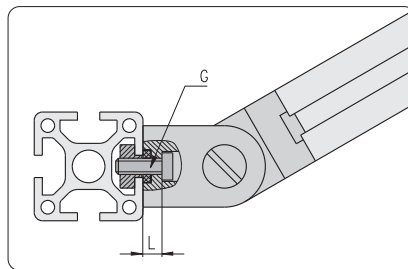
The joint can be locked with the adjustable clamping lever

Application

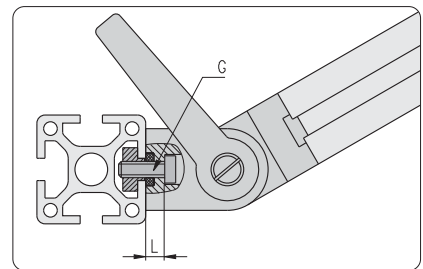
To enable infinitely variable adjusting and swivelling of profiles

Technical data

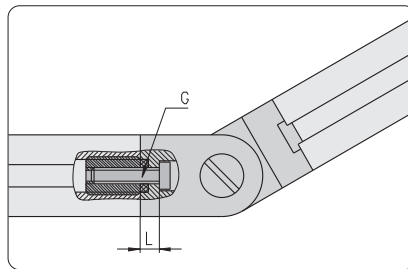
material: steel
surface: galvanised



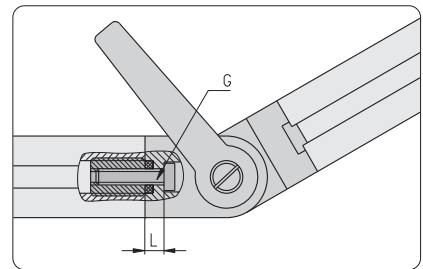
Mounting on profile side



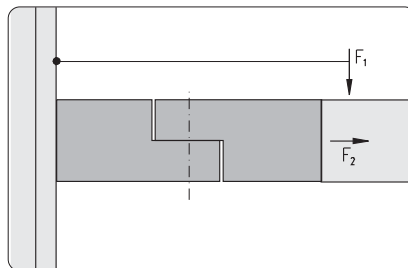
Mounting on profile side



Mounting on profile end



Mounting on profile end

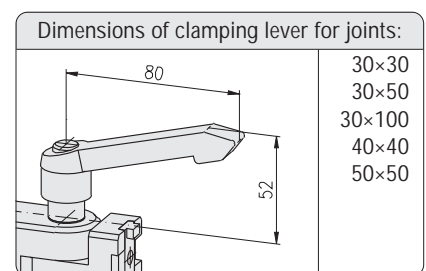
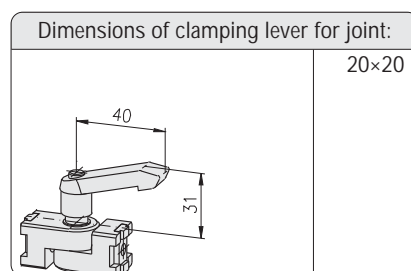


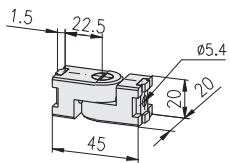
Joint	max. loads	
	F1 _{max}	F2 _{max}
20×20	10 Nm	2,000 N
30×30	30 Nm	4,000 N
30×50	50 Nm	4,000 N
30×100	100 Nm	8,000 N
30×100 ¹⁾	200 Nm	8,000 N
40×40	50 Nm	6,000 N
50×50	60 Nm	10,000 N

¹⁾ with fastening plate

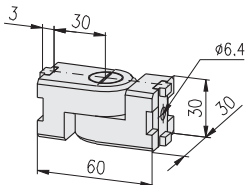
Comments

- Mounting with:
- cap-screw DIN 6912
 - washer DIN 433

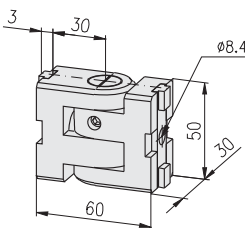


20×20


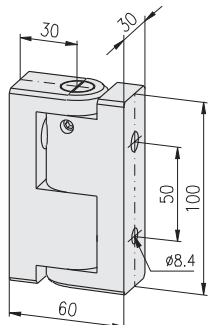
Description	G	L	Weight	Article-No.
Joint 20×20	M5	6.5	97 g	1.63.02021
Joint 20×20 with clamping lever	M5	6.5	114 g	1.63.12021
Anti-twist device for joint, H, L20			8 g	1.63.02022
Anti-twist device for joint, F, L20			8 g	1.63.02023

30×30


Description	G	L	Weight	Article-No.
Joint 30×30	M6	7.5	315 g	1.63.03031
Joint 30×30 with clamping lever	M6	7.5	380 g	1.63.13031
Anti-twist device for joint, L30			28 g	1.63.03032

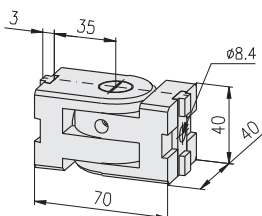
30×50


Description	G	L	Weight	Article-No.
Joint 30×50	M8	7.5	533 g	1.63.03051
Joint 30×50 with clamping lever	M8	7.5	600 g	1.63.13051
Anti-twist device for joint, L30			28 g	1.63.03032
Anti-twist device for joint, L50			33 g	1.63.03052

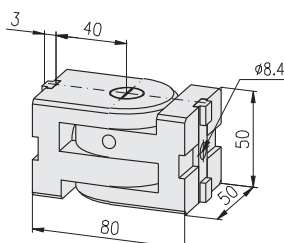
30×100

Comments

To increase the load capacity on hinge 30×100
 ➔ *fastening plate 30×150, 1.47.60315*

Description	G	L	Weight	Article-No.
Joint 30×100	M8	7.5	1,098 g	1.63.03101
Joint 30×100 with clamping lever	M8	7.5	1,160 g	1.63.13101

40×40


Description	G	L	Weight	Article-No.
Joint 40×40	M8	7.5	674 g	1.63.04041
Joint 40×40 with clamping lever	M8	7.5	739 g	1.63.14041
Anti-twist device for joint, L40			28 g	1.63.04042

50×50


Description	G	L	Weight	Article-No.
Joint 50×50	M8	7.5	1,244 g	1.63.05051
Joint 50×50 with clamping lever	M8	7.5	1,300 g	1.63.15051
Anti-twist device for joint, L50			33 g	1.63.03052

**Joints Zn
with / without clamping lever**



The MayTec clamping system allows backlash free adjusting and clamping



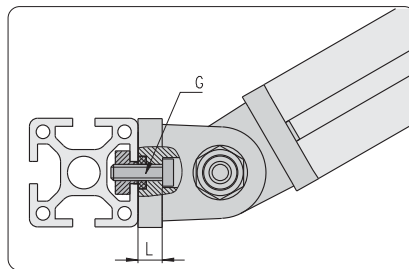
The joint can be locked with the adjustable clamping lever

Application

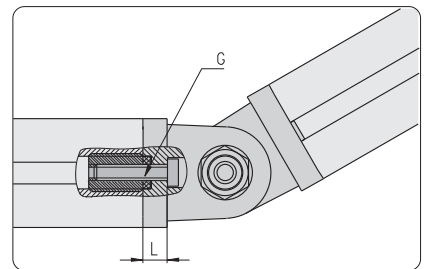
To enable infinitely variable adjusting and swivelling of profiles

Technical data

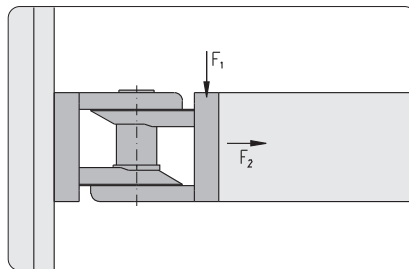
material: GD-Zn
surface: aluminium coloured powder-coated



Mounting on profile side



Mounting on profile end

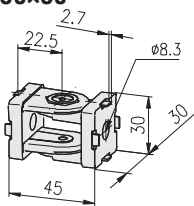


max. loads		
Joint	F1 _{max}	F2 _{max}
30×30	500 N	500 N
40×40	750 N	750 N
45×45	750 N	750 N

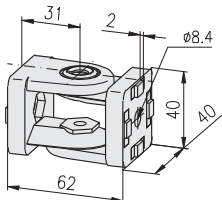
Comments

- Mounting with:
- cap screw DIN 6912
 - washer DIN 433

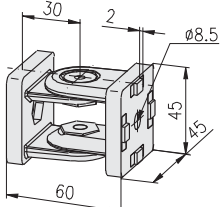
30×30



40×40



45×45



Description

	G	L	Weight	Article-No.
Joint Zn 30×30	M8	7.0	124 g	1.63.51030030
Joint Zn 30×30 with clamping lever	M8	7.0	147 g	1.63.52030030

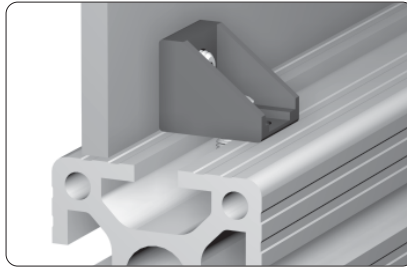
Description

	G	L	Weight	Article-No.
Joint Zn 40×40	M8	9.0	300 g	1.63.51040040
Joint Zn 40×40 with clamping lever	M8	9.0	344 g	1.63.52040040

Description

	G	L	Weight	Article-No.
Joint Zn 45×45	M8	8.0	320 g	1.63.51045045
Joint Zn 45×45 with clamping lever	M8	8.0	366 g	1.63.52045045

**Mounting blocks
screw-type**

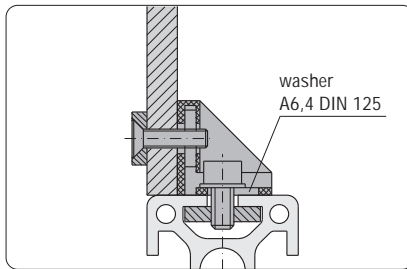


Application

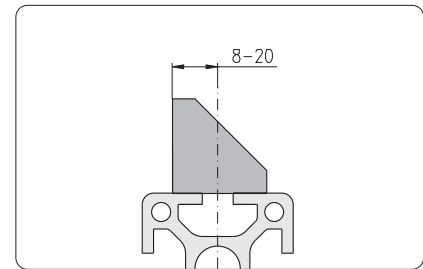
For mounting of panels

Technical data

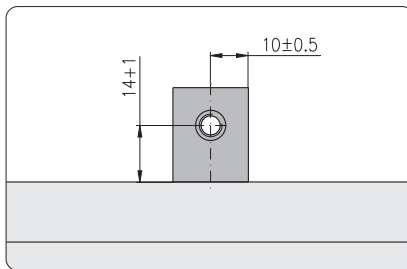
Mounting block
material: PA-GF
colours: grey, black
Threaded plate
material: steel
surface: galvanised



Mounting on the profile with threaded plate or T-Nut

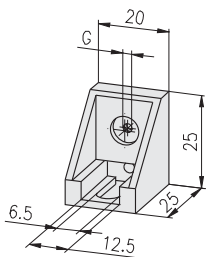


Adjustable position



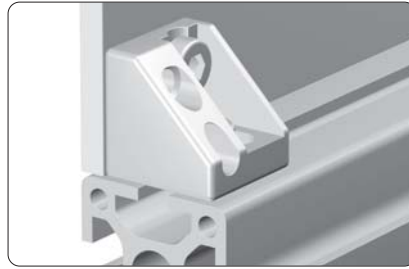
Comments

A 'floating' nut allows additional tolerance in the panel mounting holes.



Description	G	Colour	Weight	Article-No.
Mounting block screw type M3	M3	grey	9 g	1.64.10M3.1
Mounting block screw type M3	M3	black	9 g	1.64.10M3.2
Mounting block screw type M4	M4	grey	9 g	1.64.10M4.1
Mounting block screw type M4	M4	black	9 g	1.64.10M4.2
Mounting block screw type M5	M5	grey	9 g	1.64.10M5.1
Mounting block screw type M5	M5	black	9 g	1.64.10M5.2
Mounting block screw type M6	M6	grey	9 g	1.64.10M6.1
Mounting block screw type M6	M6	black	9 g	1.64.10M6.2

Mounting block GD-Zn

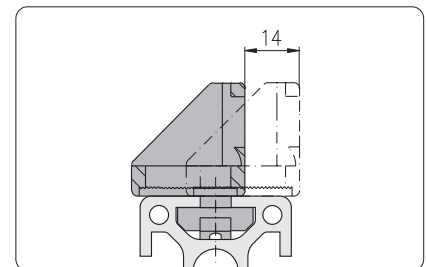
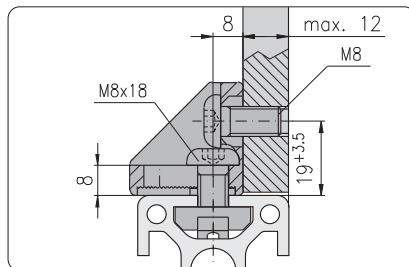
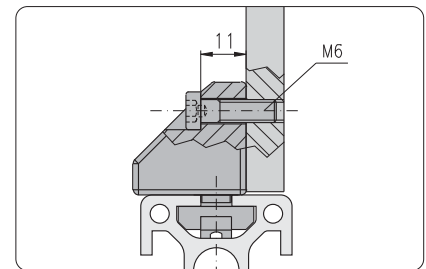
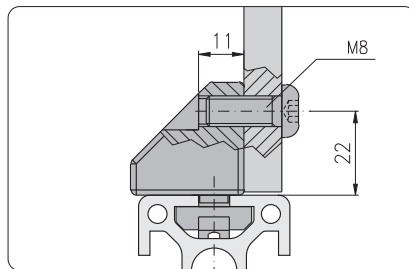
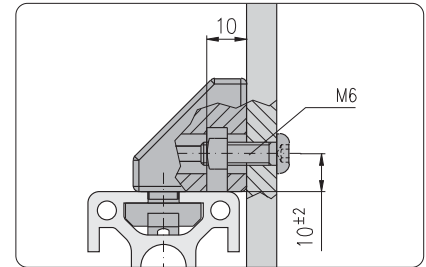
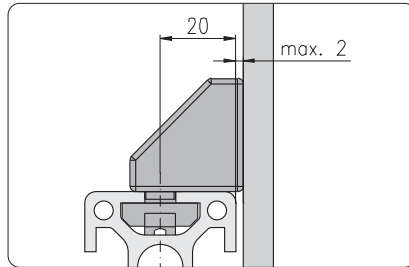


Application

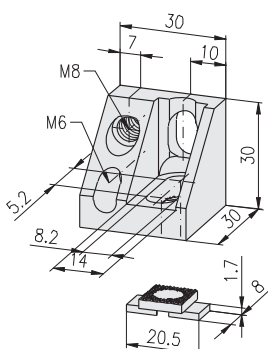
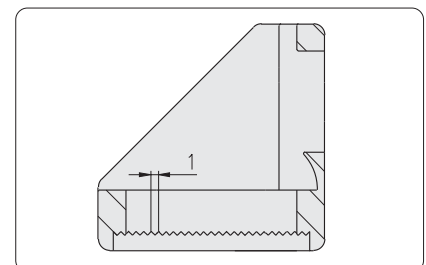
For mounting of panels

Technical data

material: GD-Zn

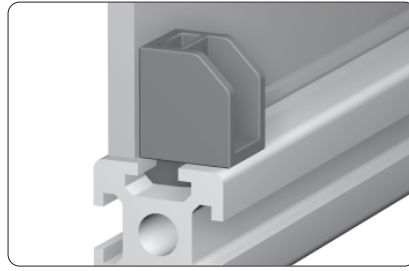


Anti-twistable mounting in steps of 1 mm



Description	G	Surface	Weight	Article-No.
Mounting block GD-Zn	M8	natural	68 g	1.64.153030.1
Mounting block GD-Zn	M8	black	68 g	1.64.153030.2

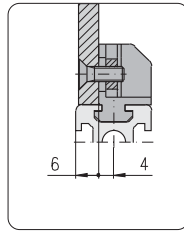
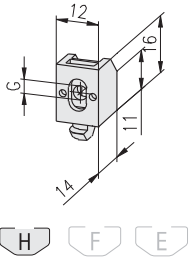
Mounting blocks for subsequent insertion



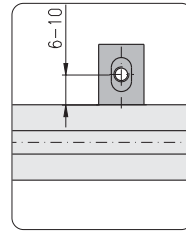
Application

For the mounting of panels with subsequent insertion
Variable mounting position of panels with distancing plate

Mounting block H



H-slot



Tolerance equalisation: 4 mm

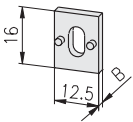
Technical data

material: PA-GF
colour: black
square nut: steel, galvanised
max. static load: 100 N, rectangular to slot

Description	G	Weight	Article-No.
Mounting block H	M4	2.6 g	1.64.2H2M4.2

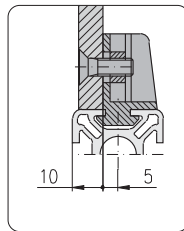
Technical data

material: PA-GF
colour: black

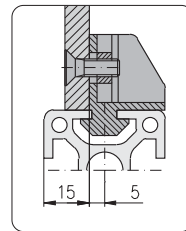


Description	B	Weight	Article-No.
Distancing plate for mounting block H	1	0.2 g	1.64.xH01
Distancing plate for mounting block H	2	0.4 g	1.64.xH02
Distancing plate for mounting block H	3	0.6 g	1.64.xH03
Distancing plate for mounting block H	4	0.8 g	1.64.xH04

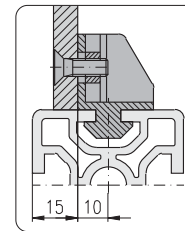
Mounting blocks F and E



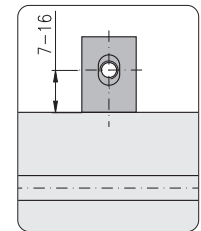
F-slot



E3-slot



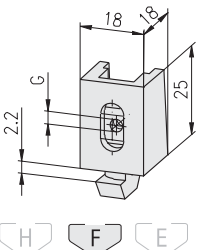
E4-slot



Tolerance equalisation: 9 mm

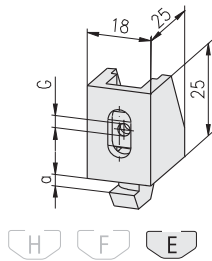
Technical data

material: PA-GF
colours: grey, black
square nut: steel, galvanised
max. static load: 250 N, rectangular to slot



Description	G	Colour	Weight	Article-No.
Mounting block F	M4	grey	9 g	1.64.2F2M4.1
Mounting block F	M4	black	9 g	1.64.2F2M4.2
Mounting block F	M5	grey	9 g	1.64.2F2M5.1
Mounting block F	M5	black	9 g	1.64.2F2M5.2
Mounting block F	M6	grey	9 g	1.64.2F2M6.1
Mounting block F	M6	black	9 g	1.64.2F2M6.2

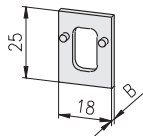
Mounting blocks E



Description	G	Colour	a	Weight	Article-No.
Mounting block E3	M4	grey	3.0	10.5 g	1.64.2E3M4.1
Mounting block E3	M4	black	3.0	10.5 g	1.64.2E3M4.2
Mounting block E3	M5	grey	3.0	10.1 g	1.64.2E3M5.1
Mounting block E3	M5	black	3.0	10.1 g	1.64.2E3M5.2
Mounting block E3	M6	grey	3.0	9.6 g	1.64.2E3M6.1
Mounting block E3	M6	black	3.0	9.6 g	1.64.2E3M6.2
Mounting block E4	M4	grey	4.0	10.6 g	1.64.2E4M4.1
Mounting block E4	M4	black	4.0	10.6 g	1.64.2E4M4.2
Mounting block E4	M5	grey	4.0	10.2 g	1.64.2E4M5.1
Mounting block E4	M5	black	4.0	10.2 g	1.64.2E4M5.2
Mounting block E4	M6	grey	4.0	9.9 g	1.64.2E4M6.1
Mounting block E4	M6	black	4.0	9.9 g	1.64.2E4M6.2

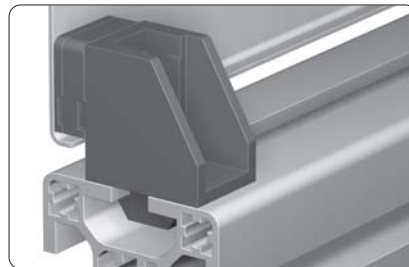
Technical data

material: PA-GF
colours: grey, black



Description	B	Colour	Weight	Article-No.
Distancing plate for mounting block FE	2	grey	0.5 g	1.64.2x02.1
Distancing plate for mounting block FE	2	black	0.5 g	1.64.2x02.2
Distancing plate for mounting block FE	3	grey	0.8 g	1.64.2x03.1
Distancing plate for mounting block FE	3	black	0.8 g	1.64.2x03.2
Distancing plate for mounting block FE	5	grey	1.3 g	1.64.2x05.1
Distancing plate for mounting block FE	5	black	1.3 g	1.64.2x05.2

Distancing plate, thin

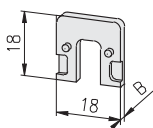
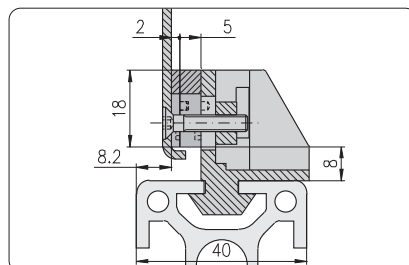


Application

For the mounting of folded panels

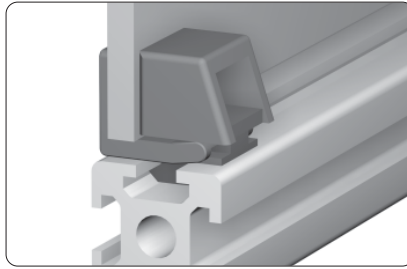
Technical data

material: PA-GF
colours: grey, black



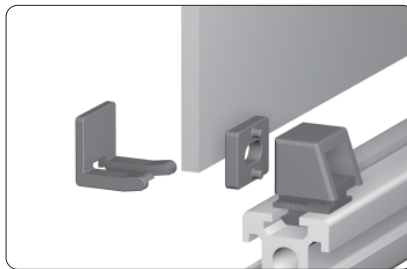
Description	B	Colour	Weight	Article-No.
Distancing plate, thin, for mounting block FE	2	grey	0.3 g	1.64.2x102.1
Distancing plate, thin, for mounting block FE	2	black	0.3 g	1.64.2x102.2
Distancing plate, thin, for mounting block FE	3	grey	0.6 g	1.64.2x103.1
Distancing plate, thin, for mounting block FE	3	black	0.6 g	1.64.2x103.2
Distancing plate, thin, for mounting block FE	5	grey	0.9 g	1.64.2x105.1
Distancing plate, thin, for mounting block FE	5	black	0.9 g	1.64.2x105.2

Mounting clamp blocks for subsequent insertion

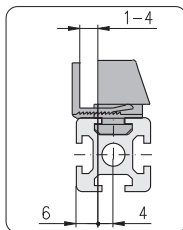


Application

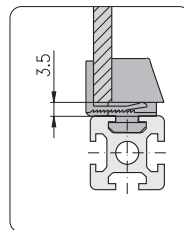
Mounting of panels with clamps, without drilling and screwing
 For subsequent insertion:
 Variable mounting position of panels with distance plates



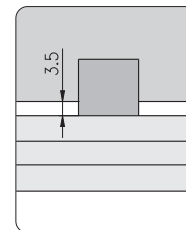
The distance plates are positioned and fastened by pins, it is possible to mount several distance plates in series



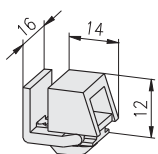
H-slot



Installation dimensions



Installation dimensions



Technical data

material: PA-GF
 colour: black
 max. static load:
 • towards clamp block: 110 N
 • towards slider: 30 N

Description

Mounting clamp block H

Weight

3.4 g

Article-No.

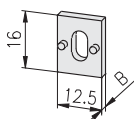
1.64.3H2

Technical data

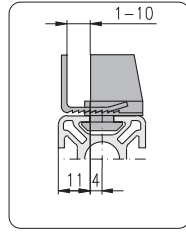
material: PA-GF
 colour: black

Description

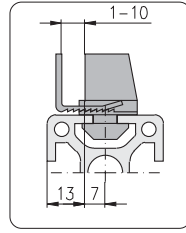
Description	B	Weight	Article-No.
Distancing plate for mounting clamp block H 1	1	0.2 g	1.64.xH01
Distancing plate for mounting clamp block H 2	2	0.4 g	1.64.xH02
Distancing plate for mounting clamp block H 3	3	0.6 g	1.64.xH03
Distancing plate for mounting clamp block H 4	4	0.8 g	1.64.xH04



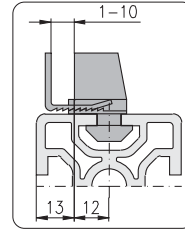
Mounting clamp blocks for subsequent insertion



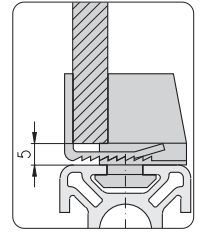
F-slot



E3-slot



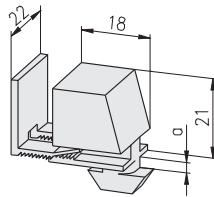
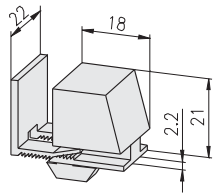
E4-slot



Installation dimensions

Technical data

- material: PA-GF
 colour: black
 max. static load:
 • towards clamp block: 250 N
 • towards slider: 50 N



Description

Mounting clamp block F

Weight

7.5 g

Article-No.

1.64.3F2

Description

Mounting clamp block E3

a

3.0

Weight

8.0 g

Article-No.

1.64.3E3

Mounting clamp block E4

a

4.0

Weight

8.0 g

Article-No.

1.64.3E4

Technical data

- material: PA-GF
 colour: black

Description

Distancing plate for mounting clamp block FE 2

B

2

Weight

0.6 g

Article-No.

1.64.3x02

Distancing plate for mounting clamp block FE 3

B

3

Weight

0.9 g

Article-No.

1.64.3x03

Distancing plate for mounting clamp block FE 5

B

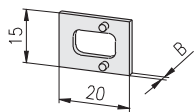
5

Weight

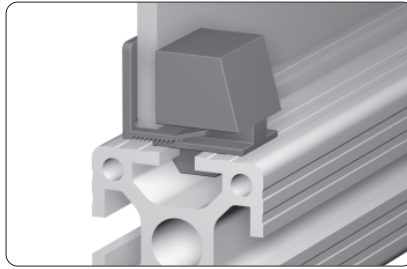
1.4 g

Article-No.

1.64.3x05

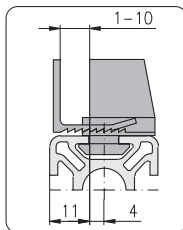
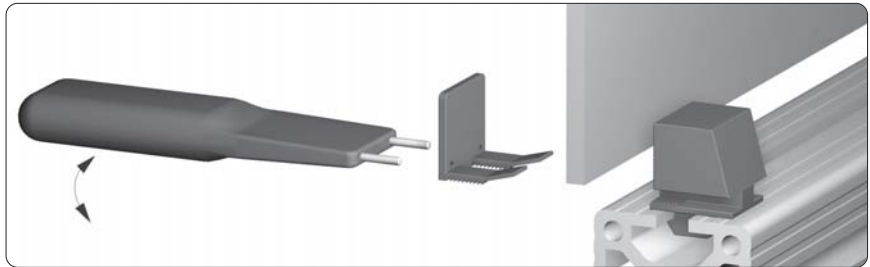


Mounting clamp blocks SL for subsequent insertion

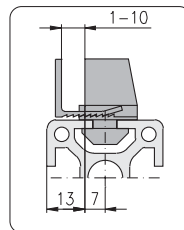


Application

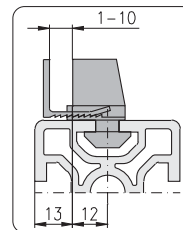
As mounting clamp block, however: For safety's sake it is only possible to be opened with special tools



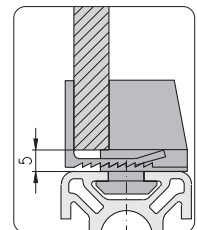
F-slot



E3-slot



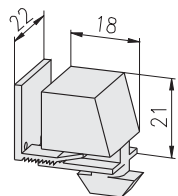
E4-slot



Installation dimensions

Technical data

material: PA-GF
 colour: black
 max. static load:
 • towards clamp block: 250 N
 • towards slider: 50 N



Description

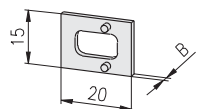
Description	Weight	Article-No.
Mounting clamp block F, SL	7.5 g	1.64.4F2
Mounting clamp block E3, SL	8.0 g	1.64.4E3
Mounting clamp block E4, SL	8.0 g	1.64.4E4

Technical data

material: PA-GF
 colour: black

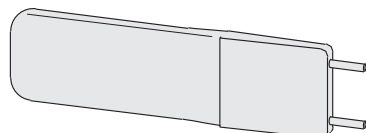
Description

Description	B	Weight	Article-No.
Distancing plate for mounting clamp block FE 2		0.6 g	1.64.3x02
Distancing plate for mounting clamp block FE 3		0.9 g	1.64.3x03
Distancing plate for mounting clamp block FE 5		1.4 g	1.64.3x05



Technical data

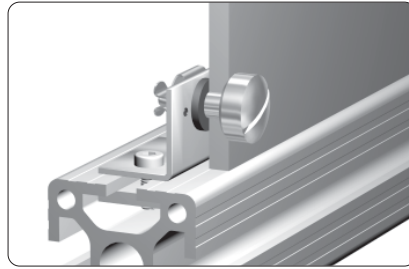
material: PA-GF
 colour: red
 steel bolt: hardened



Description

Description	Weight	Article-No.
Tool for mounting clamp block SL	23 g	1.64.4W

Quick locks

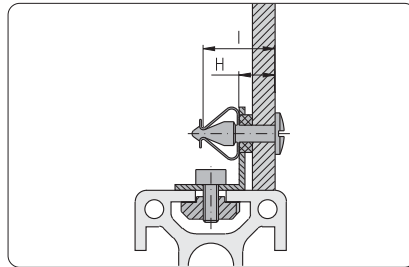


Application

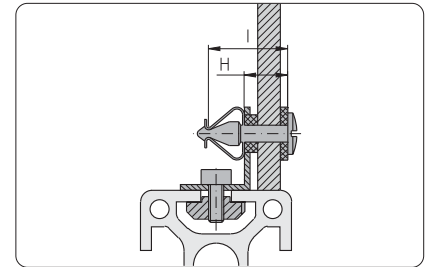
Mounting element for quick mounting and dismantling of covers

Comments

open: by 1/4-turn
close: by push in



Fastening without washer
 $H_{max} = S_{retaining\ ring} + \text{panel thickness}$

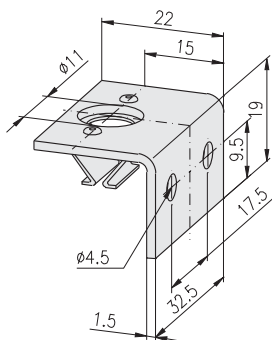


Fastening with washer
 $H_{max} = S_{retaining\ ring} + \text{panel thickness} + S_{washer}$

Technical data (assembly)

drilling diameter
in the covers: 7 mm
max. static load: 900 N
life time: ca. 10.000 operations

Mounting angle



Technical data

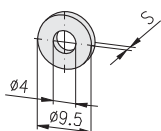
material: steel
surface: galvanised

Mounting elements:

- F-slot:
- T-Nut, with leaf spring F, 2xM4 1.32.4F2M4.25
 - threaded plate F, M4 1.31.FM4
 - spring nut F, M4 1.33.FM4
 - T-slot nut F, M4 1.34.10FM4
- E-slot:
- T-Nut, with leaf spring E, 2xM4 1.32.4E2M4.25
 - spring nut E, M4 1.33.EM4
 - T-slot nut E, M4 1.34.10EM4
 - rhomboid T-slot nut E, M4 1.34.20EM4

Description	Weight	Article-No.
Mounting angle	14 g	1.64.5101

Retaining rings



Technical data

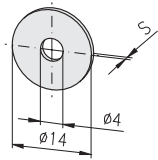
material: neoprene
hardness: 55 Shore A
temperature range: - 50°C to + 90°C

Description	S	Weight	Article-No.
Retaining ring	1.7	1.3 g	1.64.5217
Retaining ring	2.5	1.8 g	1.64.5225
Retaining ring	4.0	3.5 g	1.64.5240
Retaining ring	5.0	4.0 g	1.64.5250
Retaining ring	6.0	4.5 g	1.64.5260

Sealing washers

Technical data

material: neoprene
 hardness: 55 Shore A
 temperature range: - 50°C to + 90°C



Description	S	Weight	Article-No.
Sealing washer	0.5	0.8 g	1.64.5305
Sealing washer	1.0	1.7 g	1.64.5310
Sealing washer	1.5	2.5 g	1.64.5315
Sealing washer	2.0	3.3 g	1.64.5320

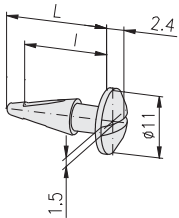
Round head bolts

Technical data

material: brass
 surface: nickel-plated

Comments

Mounting dimension "H" see mounting sketch



Description	H _{max}	L	I	Weight	Article-No.
Round head bolt	3.7	16.6	14.4	4.0 g	1.64.5416
Round head bolt	4.7	17.6	15.4	4.0 g	1.64.5417
Round head bolt	5.7	18.6	16.4	4.0 g	1.64.5418
Round head bolt	6.9	19.8	17.6	4.5 g	1.64.5419
Round head bolt	7.7	20.6	18.4	5.0 g	1.64.5420
Round head bolt	8.9	21.8	19.6	5.0 g	1.64.5421
Round head bolt	9.7	22.6	20.4	6.0 g	1.64.5422
Round head bolt	10.7	23.6	21.4	6.0 g	1.64.5423

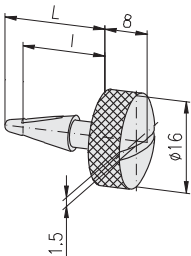
Knurled head bolts

Technical data

material: brass
 surface: nickel-plated

Comments

Mounting dimension "H" see mounting sketch



Description	H _{max}	L	I	Weight	Article-No.
Knurled head bolt	3.7	16.6	14.4	14.0 g	1.64.5516
Knurled head bolt	4.7	17.6	15.4	14.0 g	1.64.5517
Knurled head bolt	5.7	18.6	16.4	14.0 g	1.64.5518
Knurled head bolt	6.9	19.8	17.6	14.0 g	1.64.5519
Knurled head bolt	7.7	20.6	18.4	15.0 g	1.64.5520
Knurled head bolt	8.9	21.8	19.6	15.0 g	1.64.5521
Knurled head bolt	10.7	23.6	21.4	15.0 g	1.64.5523

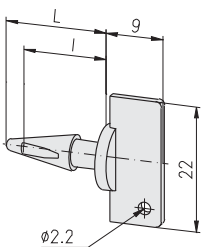
Wing head bolts

Technical data

material: brass
 surface: nickel-plated

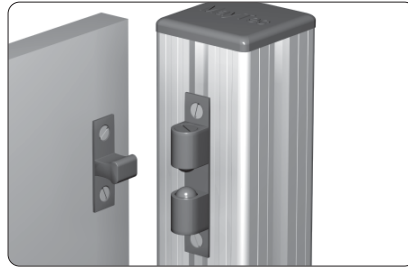
Comments

Mounting dimension "H" see mounting sketch



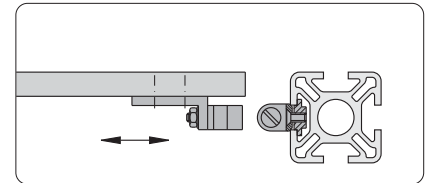
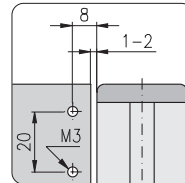
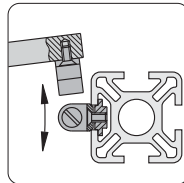
Description	H _{max}	L	I	Weight	Article-No.
Wing head bolt	3.7	16.6	14.4	5.8 g	1.64.5616
Wing head bolt	4.7	17.6	15.4	5.8 g	1.64.5617
Wing head bolt	5.7	18.6	16.4	5.8 g	1.64.5618
Wing head bolt	6.9	19.8	17.6	5.8 g	1.64.5619
Wing head bolt	7.7	20.6	18.4	6.3 g	1.64.5620
Wing head bolt	8.9	21.8	19.6	6.3 g	1.64.5621
Wing head bolt	9.7	22.6	20.4	6.3 g	1.64.5622
Wing head bolt	10.7	23.6	21.4	6.3 g	1.64.5623

Bullet catches



Application

Lock for swinging and sliding doors

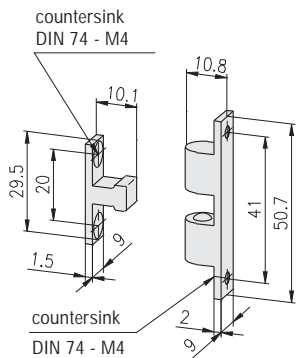


Technical data

material: brass, natural
bullet: stainless steel
retention force: adjustable

Comments

Countersink DIN 74 - M4 for countersunk screw DIN 7991 - M4



Description

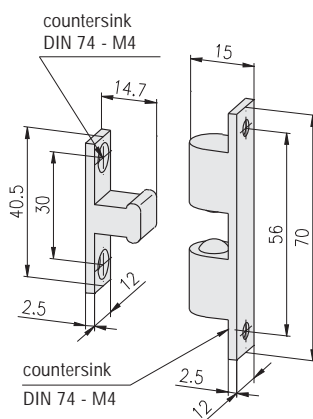
Bullet catch 9x50

Weight

25.0 g

Article-No.

1.65.1101



Comments

Countersink DIN 74 - M4 for countersunk screw DIN 7991 - M4

Description

Bullet catch 12x70

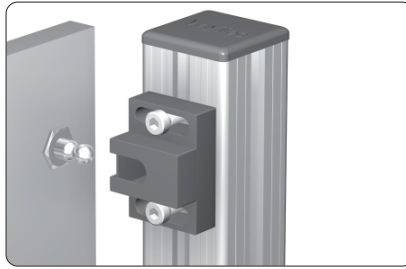
Weight

72.0 g

Article-No.

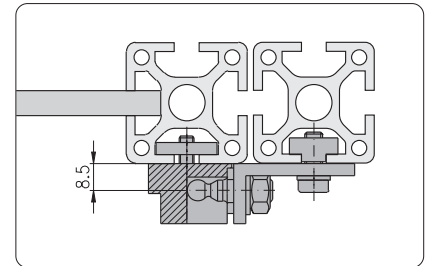
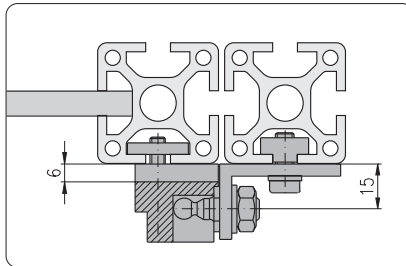
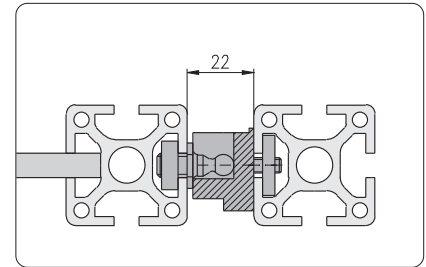
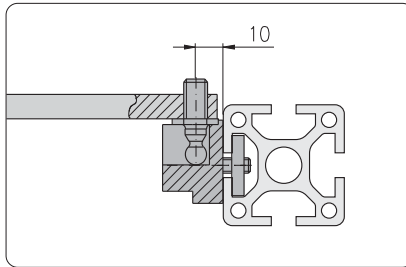
1.65.1102

Bullet catch PA



Application

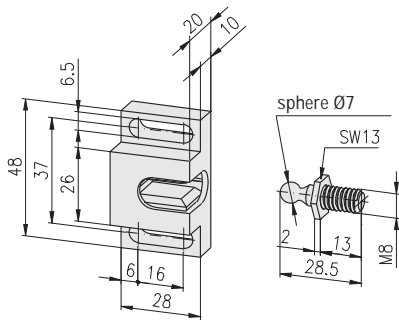
Lock for swinging and sliding doors



Fastening of the bolt with angle 25x40, Ø8.7 ↗ 1.46.115

Fastening of the bolt with angle 20x47, M8 ↗ 1.65.1301

Bullet catch PA



Technical data

capsule: PA-GF, black
 bolt: steel, galvanised
 retention force: 45 N

Description

Bullet catch PA

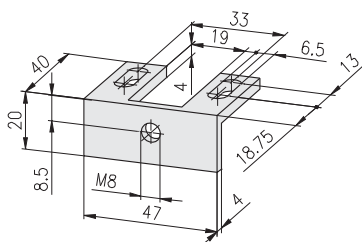
Weight

23.0 g

Article-No.

1.65.1201

Angle



Technical data

material: aluminium
 strength: F22
 surface: natural anodised

Description

Angle 20x47, M8

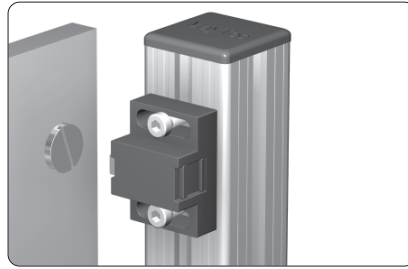
Weight

16.0 g

Article-No.

1.65.1301

Magnetic lock PA

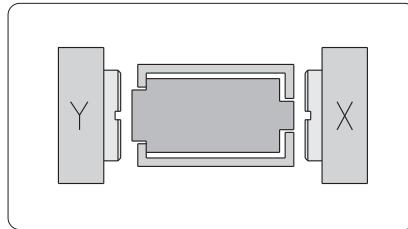


Application

Lock for swinging and sliding doors

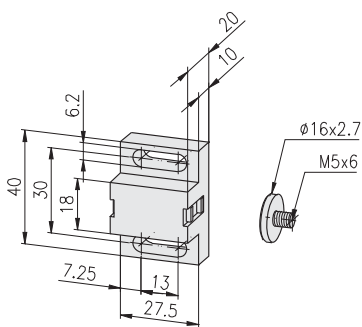
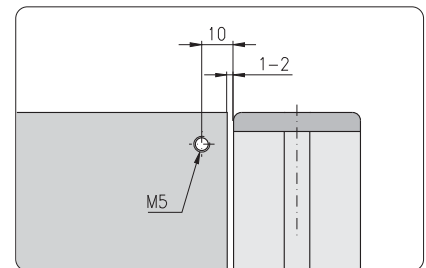
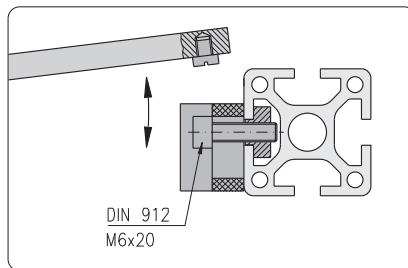
Technical data

capsule: PA-GF, black
 flat head screw: steel, galvanised
 retention force: y = 40 N
 x = 25 N



Comments

Different force
 y = large force
 x = small force



Description

Magnetic lock PA

Weight

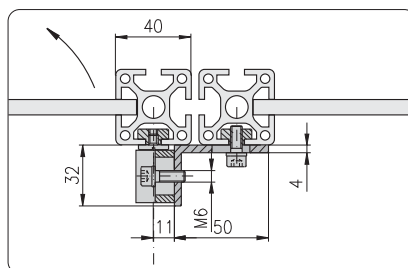
38.0 g

Article-No.

1.65.2101

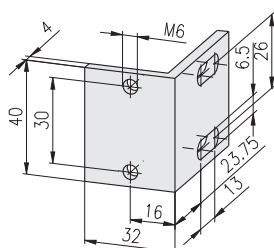
Angle bracket

for magnetic lock PA



Technical data

material: aluminium
 strength: F22
 surface: natural anodised



Description

Angle bracket for magnetic lock PA

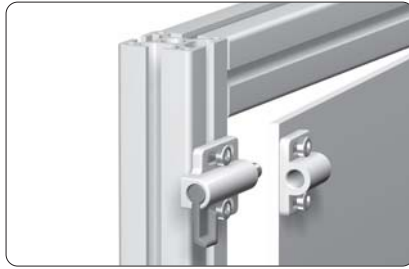
Weight

32.0 g

Article-No.

1.65.2301

Lock GD-Zn

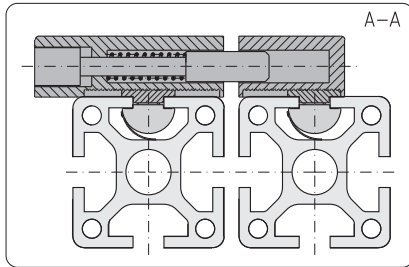


Application

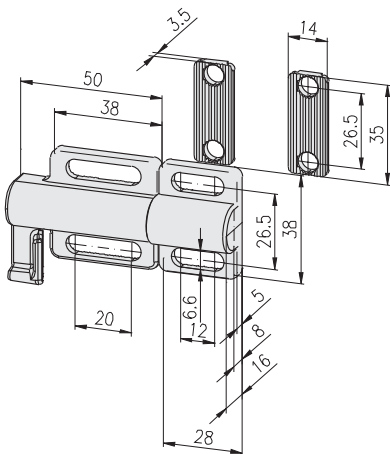
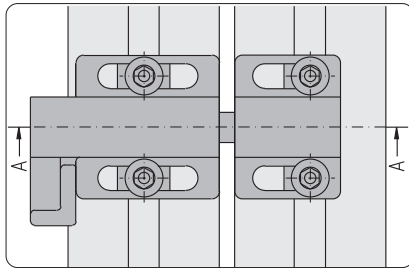
Lock with sprung bolt for easy closing of doors and panels, including separate slot fastening capability

Technical data

capsule: GD Zn, painted silver
 handle: PA, black
 bolt: stainless steel



Slot fastening capability



Description

Lock GD-Zn

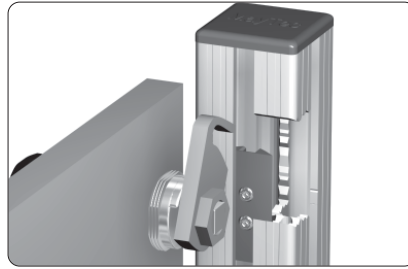
Weight

120.0 g

Article-No.

1.65.2538078

Cylinder locks

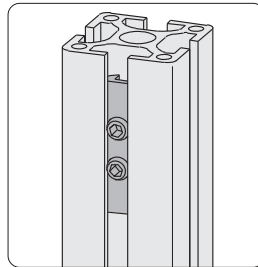


Application

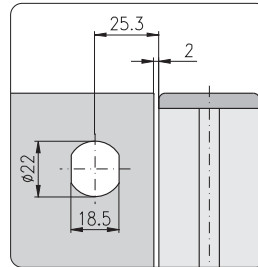
Locking system for swinging and sliding doors

Comments

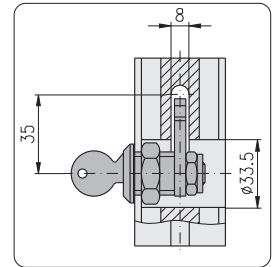
By turning the lock body the cylinder lock is insertable left or right



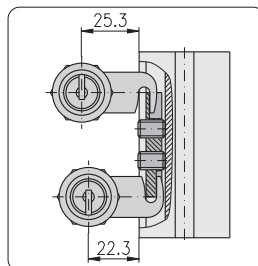
Insertion of the latch



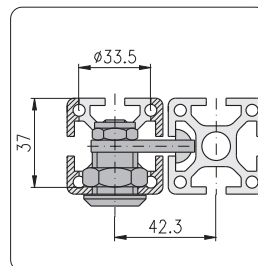
Fixing dimensions for the cylinder lock



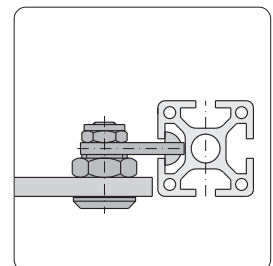
Fixing dimensions for the cylinder lock



Latch for two different bore spaces



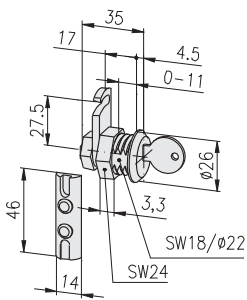
Swinging door with profile frame made of profile 40x40



Swinging door without profile frame

Technical data

capsule: GD Zn, galvanised
tongue, nut, screw: steel, galvanised



Description

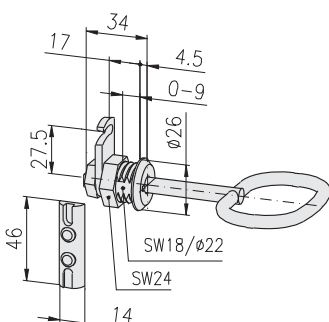
Cylinder lock with 2 keys

Weight

82.0 g

Article-No.

1.65.3101



Comments

Key with double beard $\phi 8$ mm

Description

Cylinder lock with double beard insert

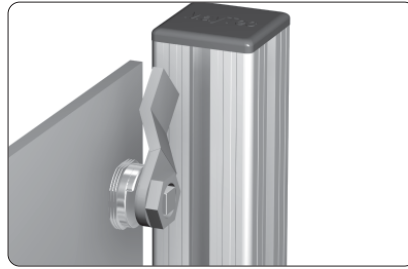
Weight

150.0 g

Article-No.

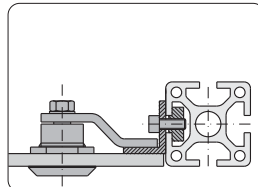
1.65.3102

Cylinder locks with security latch

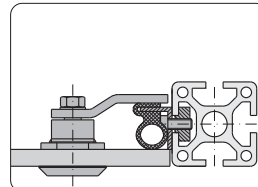


Application
Lock for swinging door

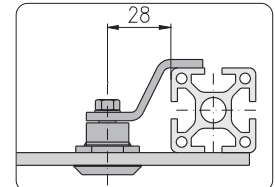
Comments
Security latch
Jolting- and vibrationless by integral lock



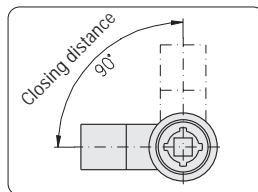
Installation variant with mounting angle



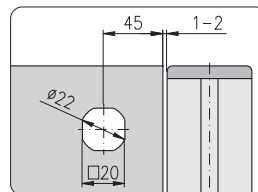
Installation variant with seal



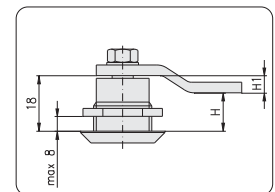
Installation variant



Closing distance

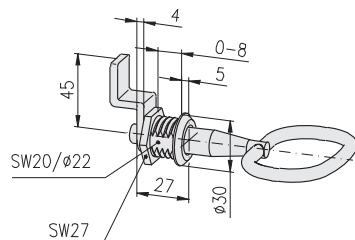
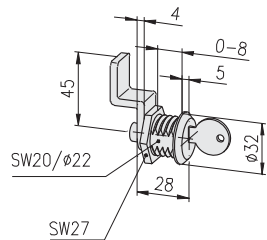


Drilling pattern



Security latch dimension H;
H1 = 18-H

Cylinder locks



Technical data

capsule: GD Zn, galvanised
tongue, nut, screw: steel, galvanised

Description

Cylinder lock with 2 keys, without security latch

Weight

66 g

Article-No.

1.65.3201

Comments

Socket wrench / square 8 mm

Description

Cylinder lock with 1 square key, without security latch

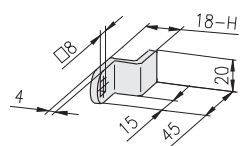
Weight

100 g

Article-No.

1.65.3202

Security latch



Description

Security latch for cylinder lock

Weight

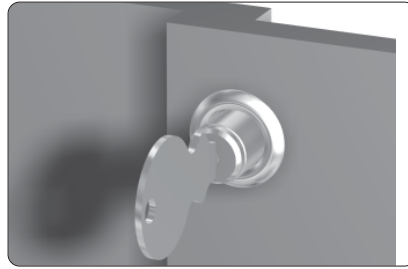
30 g

Article-No.

1.65.32...

H	Article-No.	H	Article-No.	H	Article-No.	H	Article-No.
4	1.65.3204	18	1.65.3218	30	1.65.3230	42	1.65.3242
6	1.65.3206	20	1.65.3220	32	1.65.3232	44	1.65.3244
8	1.65.3208	22	1.65.3222	34	1.65.3234	45	1.65.3245
10	1.65.3210	24	1.65.3224	35	1.65.3235	47	1.65.3247
13	1.65.3213	25	1.65.3225	36	1.65.3236	50	1.65.3250
14	1.65.3214	26	1.65.3226	38	1.65.3238		
16	1.65.3216	28	1.65.3228	40	1.65.3240		

Flap-lock countersunk for sliding door

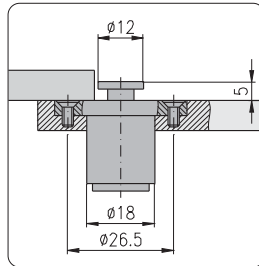
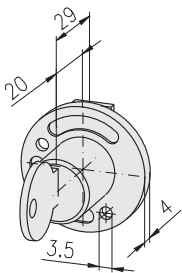


Application

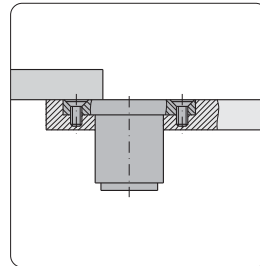
Lock for sliding door

Technical data

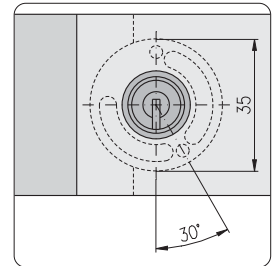
capsule: GD Zn, chrome-plated
tongue and nut: steel, galvanised



Locked



Open



Description

Flap-lock countersunk, for sliding door

Weight

52 g

Article-No.

1.65.3301

Cylinder locks flush

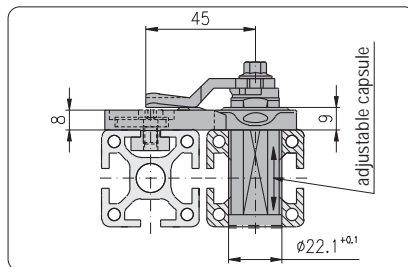


Application

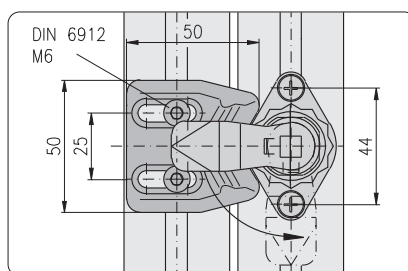
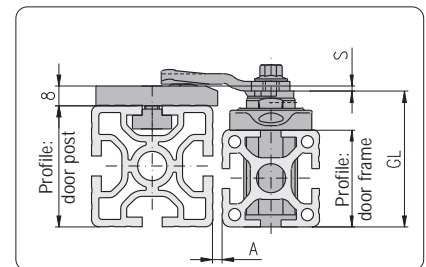
Locking system for swinging doors

Technical data

locking: 90°
material:
• capsule: GD Zn, chrome-plated
• fixing plate: steel, chrome-plated



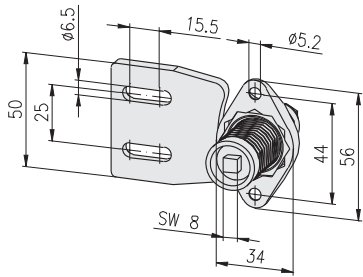
Outside: flush
(without jutout of lock parts)



Inside: with fixing plate

Profile		Latch		
Door post	Door frame	GL	A	S
40	40	56	1.6	-8
	45	66	1.8	-12
50	40	56	1.6	2
	45	66	1.8	-8
	50	66	2.0	-8
60	40	56	1.6	12
	45	66	1.8	2
	50	66	2.0	2
	60	76	3.0	-8

Cylinder locks flush



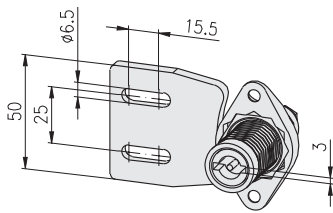
Delivery unit

- cylinder lock with fixing plate

Separate order

- key
- security latch

Description	GL	Weight	Article-No.
Cylinder lock flush, square	56	194.0 g	1.65.34156
Cylinder lock flush, square	66	212.8 g	1.65.34166
Cylinder lock flush, square	76	231.6 g	1.65.34176



Delivery unit

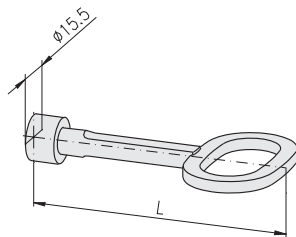
- cylinder lock with fixing plate

Separate order

- key
- security latch

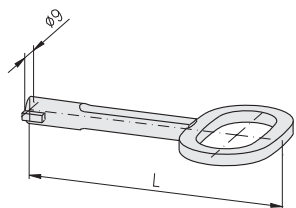
Description	GL	Weight	Article-No.
Cylinder lock flush, double beard	56	193.8 g	1.65.34356
Cylinder lock flush, double beard	66	204.1 g	1.65.34366
Cylinder lock flush, double beard	76	214.4 g	1.65.34376

Square keys



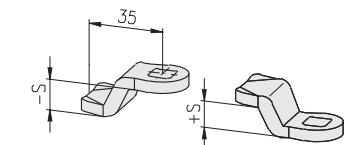
Description	L	Material	Weight	Article-No.
Square key 8, 40 mm		PA-GF	7.5 g	1.65.34540
Square key 8, 81 mm		GD Zn	41.6 g	1.65.34581

Double beard keys

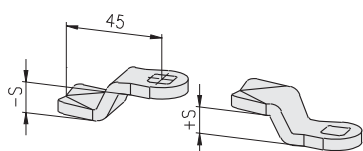


Description	L	Material	Weight	Article-No.
Double beard key 3, 40 mm		PA-GF	6.4 g	1.65.34740
Double beard key 3, 89 mm		GD Zn	35.8 g	1.65.34789

Security latches



Description	S	Weight	Article-No.
Security latch 35	2	20.4 g	1.65.3493502.1
Security latch 35	-2	20.1 g	1.65.3493502.2
Security latch 35	-8	22.5 g	1.65.3493508.2
Security latch 35	12	22.9 g	1.65.3493512.1
Security latch 35	-12	22.9 g	1.65.3493512.2



Description	S	Weight	Article-No.
Security latch 45	2	26.8 g	1.65.3494502.1
Security latch 45	-2	27.4 g	1.65.3494502.2
Security latch 45	-8	27.3 g	1.65.3494508.2
Security latch 45	12	30.3 g	1.65.3494512.1
Security latch 45	-12	30.3 g	1.65.3494512.2

Mortise deadlocks



Application

Door locks for doors with profile frames made from profiles 40×40 and 45×45

Technical data

mortise deadlock: steel, galvanised
 screws and threaded plates: steel, galvanised
 lock insert: GD-Zn, galvanised
 rosette: LM, natural anodised
 case: Al Mg Si 0.5 F25, natural anodised



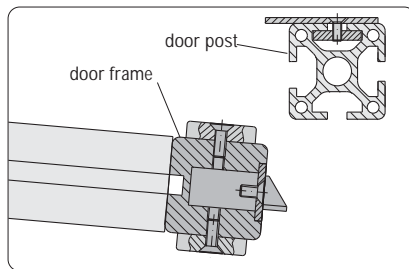
Door lock without lock insert and handles both sides



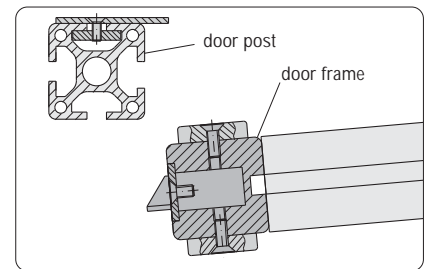
Door lock with cylinder lock and handles both sides



Door lock with lock insert, one handle and one fixed knob

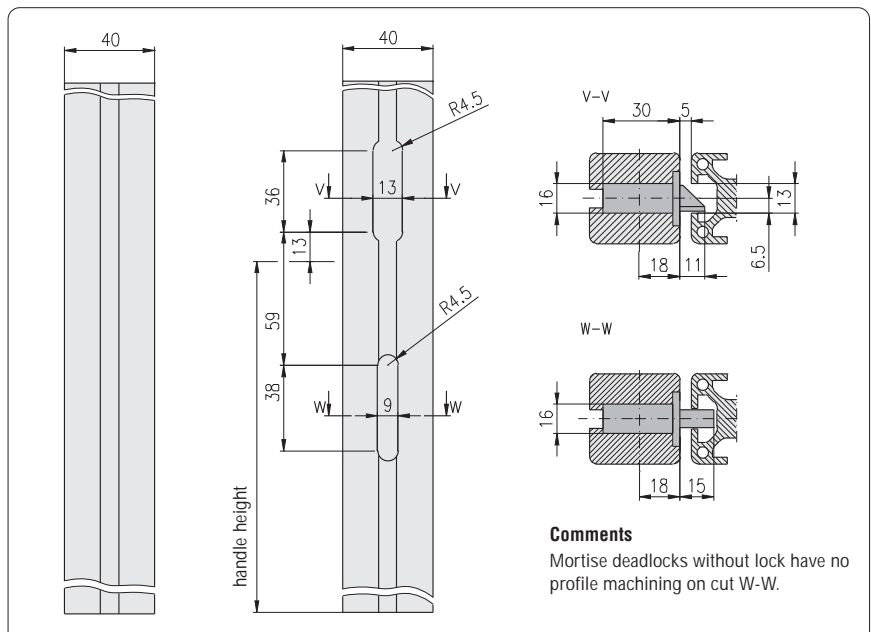


Mounting position left



Mounting position right

Profile machining
for door post

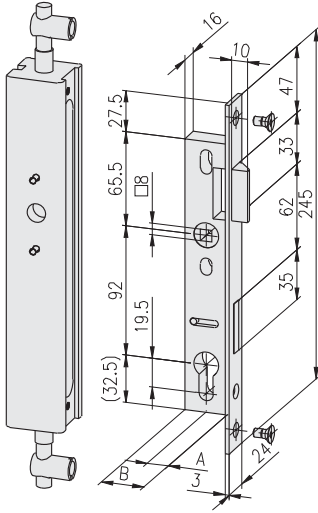


Comments

Mortise deadlocks without lock have no profile machining on cut W-W.

Mortise deadlock installation sets
without lock

Comments
Drawing shows mounting position left,
mirror image mounting position right

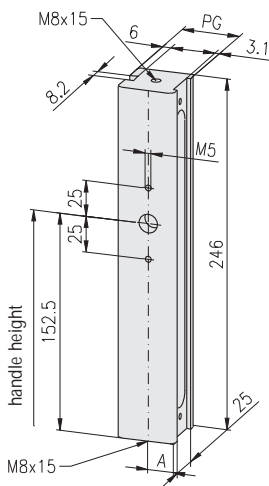


Description	Weight	Article-No.
Mortise deadlock installation set without lock, left, PG 40	1,191 g	1.65.4001L40
Mortise deadlock installation set without lock, right, PG 40	1,191 g	1.65.4001R40
Mortise deadlock installation set without lock, left, PG 45	1,352 g	1.65.4001L45
Mortise deadlock installation set without lock, right, PG 45	1,352 g	1.65.4001R45

Single parts

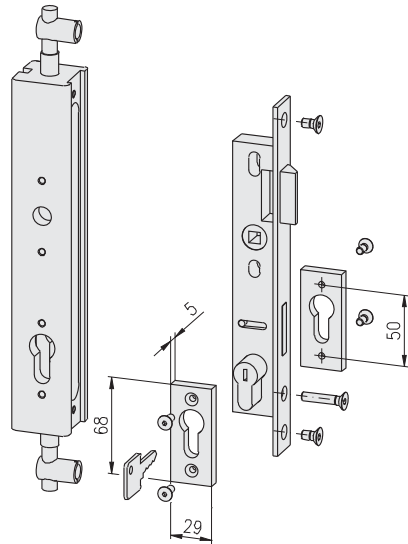
Description	Pcs.	Weight	Article-No.
Mortise deadlock case without lock PG 40	1	665 g	1.65.4101x40
Mortise deadlock case without lock PG 45	1	790 g	1.65.4101x45
Mortise deadlock left, PG 40	1	412 g	1.65.4211L40
Mortise deadlock right, PG 40	1	412 g	1.65.4211R40
Mortise deadlock left, PG 45	1	430 g	1.65.4211L45
Mortise deadlock right, PG 45	1	430 g	1.65.4211R45
Screw connector PG 40	2	55 g	1.21.4S1M8/11
Screw connector PG 45	2	64 g	1.21.4S1M8/11
Countersunk screw DIN 7991 - M5x12	2	2 g	0.63.D07991.05012

Mortise deadlock cases
without lock



Description	A	B	Weight	Article-No.
Mortise deadlock case without lock				
mounting position le/ri, PG 40	18	30	665 g	1.65.4101x40
mounting position le/ri, PG 45	20	32	790 g	1.65.4101x45

Mortise deadlock installation sets
with lock



Dimensions → 276, drawing „Mortise deadlock installation sets without lock“

Comments

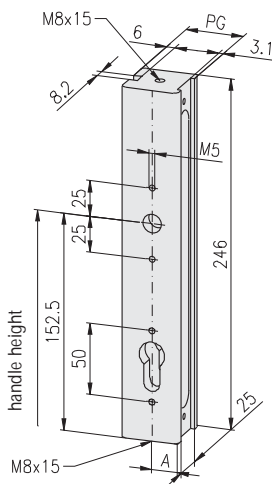
Drawing shows mounting position left, mirror image mounting position right

Description	Weight	Article-No.
Mortise deadlock installation set with lock, left, PG 40	1,371 g	1.65.4002L40
Mortise deadlock installation set with lock, right, PG 40	1,371 g	1.65.4002R40
Mortise deadlock installation set with lock, left, PG 45	1,535 g	1.65.4002L45
Mortise deadlock installation set with lock, right, PG 45	1,535 g	1.65.4002R45

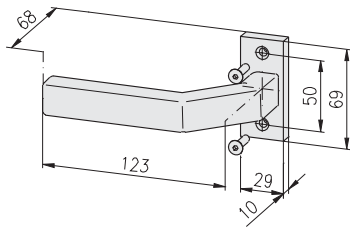
Single parts

Description	Pcs.	Weight	Article-No.
Mortise deadlock case with lock PG 40	1	620 g	1.65.4102x40
Mortise deadlock case with lock PG 45	1	740 g	1.65.4102x45
Mortise deadlock left, PG 40	1	412 g	1.65.4211L40
Mortise deadlock right, PG 40	1	412 g	1.65.4211R40
Mortise deadlock left, PG 45	1	430 g	1.65.4211L45
Mortise deadlock right, PG 45	1	430 g	1.65.4211R45
Screw connector PG 40	2	55 g	1.21.4S1M8/11
Screw connector PG 45	2	64 g	1.21.4S1M8/11
Lock insert with 2 keys, PG 40	1	188 g	1.65.421240
Lock insert with 2 keys, PG 45	1	196 g	1.65.421245
Countersunk screw DIN 7991 - M5×12	2	2 g	0.63.D07991.05012
Countersunk screw DIN 7991 - M5×30	1	4 g	0.63.D07991.05030
Rosette, set	1	25 g	1.65.4213
Countersunk screw DIN 7991 - M5×12	4	2 g	0.63.D07991.05012

Mortise deadlock cases
with lock



Description	A	B	Weight	Article-No.
Mortise deadlock case with lock				
mounting position L/R, PG 40	18	30	620 g	1.65.4102x40
mounting position L/R, PG 45	20	32	740 g	1.65.4102x45

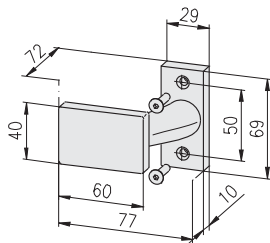
Door handle

Technical data

material: LM
surface: natural anodised

Description	Weight	Article-No.
Door handle set	166 g	1.65.4220

Single parts

Description	Pcs.	Weight	Article-No.
Handle with rosette	1	160 g	1.65.4221
Countersunk screw DIN 7991 - M5×20	2	3 g	0.63.D07991.05020

Door knob

Technical data

material: LM
surface: natural anodised

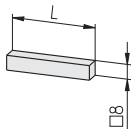
Comments

Door knob fixed

Description	Weight	Article-No.
Door knob set	178 g	1.65.4230

Single parts

Description	Pcs.	Weight	Article-No.
Door knob with rosette	1	172 g	1.65.4231
Countersunk screw DIN 7991 - M5×20	2	3 g	0.63.D07991.05020

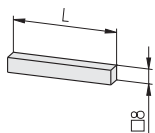
Push pins

Technical data

material: steel
surface: galvanised

Comments

Stop pin for 1 door handle variant only

Description	L	Weight	Article-No.
Push pin for 1 door handle, PG 40	56	28 g	1.65.425140
Push pin for 1 door handle, PG 45	58.5	29 g	1.65.425145



Description	L	Weight	Article-No.
Push pin for 2 door handles, PG 40	94	54 g	1.65.425240
Push pin for 2 door handles, PG 45	99	57 g	1.65.425245

Bar locks



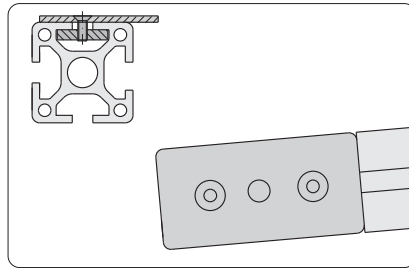
Bar lock with olive



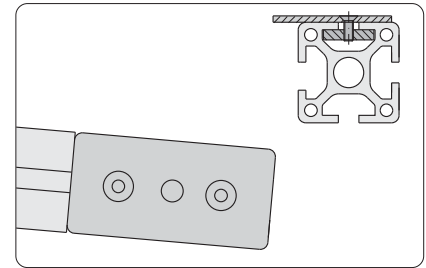
Bar lock with socket wrench

Application

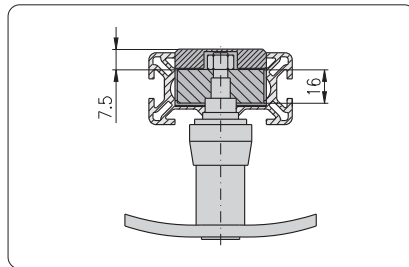
Lock for large doors made of profile 30×60 or 40×80, with pin arrest on top and bottom side



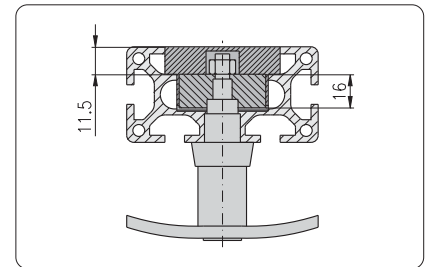
Mounting position right



Mounting position left



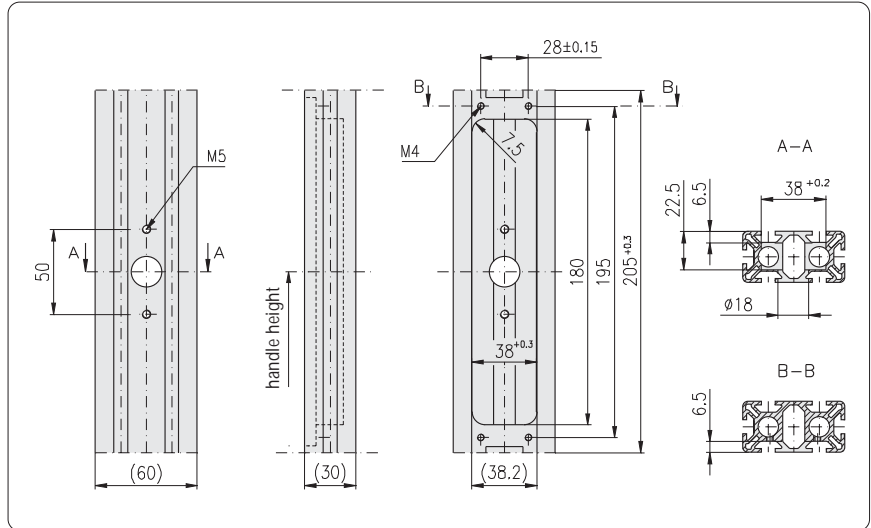
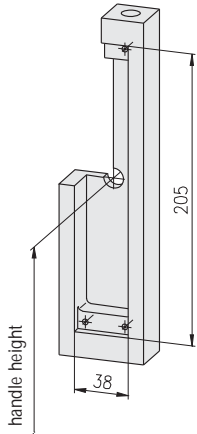
Mounting in profile 30×60



Mounting in profile 40×80

Profile machining 30x60

for bar lock



Description

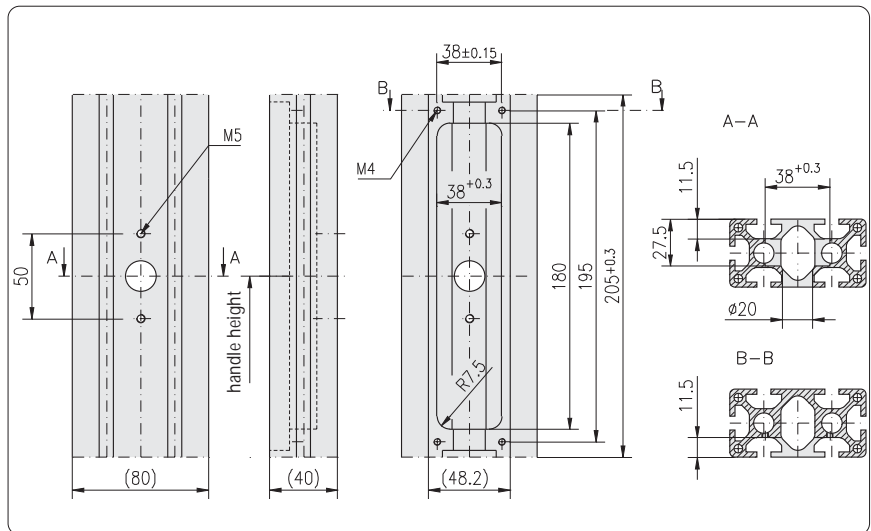
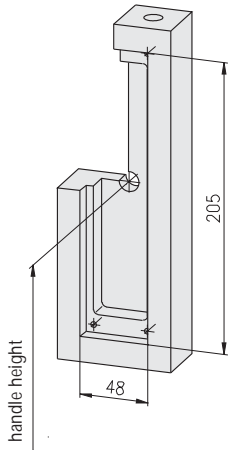
Profile machining 30x60 for bar lock

Article-No.

1.65.5110

Profile machining 40x80

for bar lock



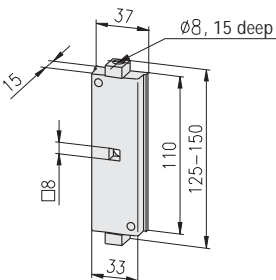
Description

Profile machining 40x80 for bar lock

Article-No.

1.65.5120

Bar locks



Technical data

material: steel
surface: galvanised

Description

Bar lock, left side
Bar lock, right side

Weight

230 g
230 g

Article-No.

1.65.5210L
1.65.5210R

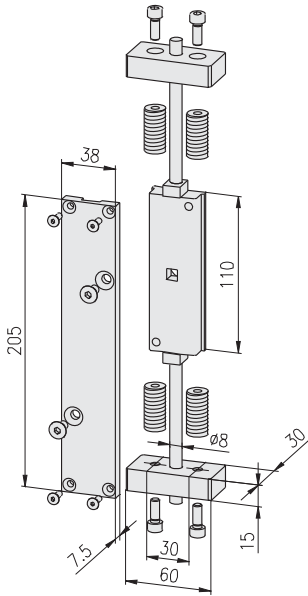
Bar locks

Technical data

cover plate: alu, natural anodised
 face plate: alu, natural anodised
 bar: steel, galvanised
 screws: steel, galvanised

Assembly accessories 30x60

for bar lock



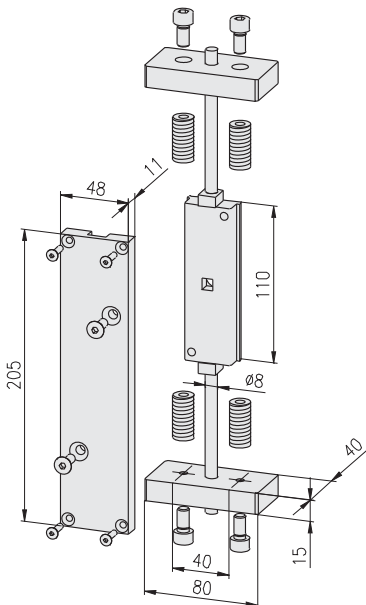
Description	Weight	Article-No.
Assembly accessories 30x60 for bar lock	590 g	1.65.5310

Single parts

Description	Pcs.	Weight	Article-No.
Cover plate 30x60	1	100 g	1.65.5311
Countersunk screw DIN 7991 - M4x12	4	1 g	0.63.D07991.04012
Countersunk screw DIN 7991 - M6x12	2	3 g	0.63.D07991.06012
Front plate 30x60	2	50 g	1.65.5312
Threaded insert M14/M6	4	22 g	1.35.1140615
Cap-screw DIN 912 - M6x16	4	5 g	0.63.D00912.06016
Bar, L1000	2	136 g	1.65.5313

Assembly accessories 40x80

for bar lock



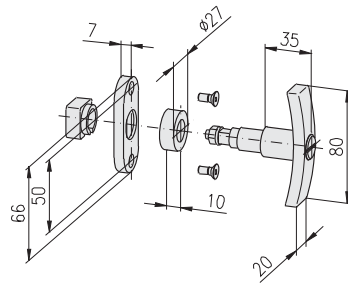
Description	Weight	Article-No.
Assembly accessories 40x80 for bar lock	800 g	1.65.5320

Single parts

Description	Pcs.	Weight	Article-No.
Cover plate 40x80	1	225 g	1.65.5321
Countersunk screw DIN 7991 - M4x16	4	2 g	0.63.D07991.04016
Countersunk screw DIN 7991 - M6x16	2	4 g	0.63.D07991.06016
Front plate 40x80	2	90 g	1.65.5322
Threaded insert M14/M8	4	18 g	1.35.1140815
Cap-screw DIN 912 - M8x16	4	9 g	0.63.D00912.08016
Bar, L1000	2	136 g	1.65.5313

Olive installation set

for bar lock



Technical data

material: GD-Zn, chrome-plated

Comments

Execution for profile 30×60 = with rosette

Execution for profile 40×80 = without rosette

Description	Weight	Article-No.
Olive installation set for bar lock without lock, for profile 30×60	166 g	1.65.5410
for profile 40×80	160 g	1.65.5420
Olive installation set for bar lock with lock, for profile 30×60	175 g	1.65.5510
for profile 40×80	169 g	1.65.5520

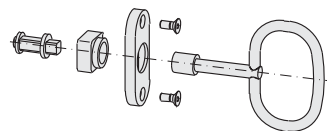
Single parts

Description	Pcs.	Weight	Article-No.
Olive without lock	1	122 g	1.65.5431
Olive with lock, incl. 2 keys	1	120 g	1.65.5531
Rosette	1	8 g	1.65.5432
Countersunk screw DIN 7991 - M5×12	2	2 g	0.63.D07991.05012

Lock mounting set

with square key

for bar lock



Technical data

lock insert: GD-Zn, galvanised

key: GD-Zn, galvanised

rosette: LM, natural anodised

key catch: PVC, grey

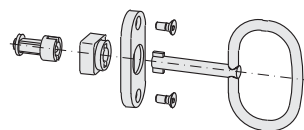
Description	Weight	Article-No.
Lock mounting set with square key for bar lock	73 g	1.65.5600

Single parts

Description	Pcs.	Weight	Article-No.
Lock insert	1	16 g	1.65.5601
Key catch	1	3 g	1.65.5602
Rosette	1	8 g	1.65.5432
Square key 8 mm	1	42 g	1.65.34581
Countersunk screw DIN 7991 - M5×12	2	2 g	0.63.D07991.05012

with double beard key

for bar lock



Description	Weight	Article-No.
Lock mounting set with double beard key for bar lock	73 g	1.65.5700

Single parts

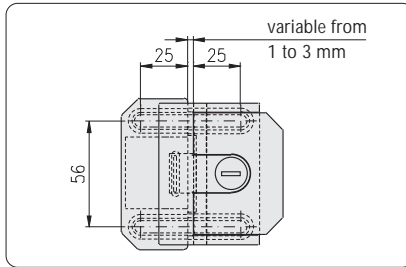
Description	Pcs.	Weight	Article-No.
Lock insert	1	16 g	1.65.5701
Key catch	1	3 g	1.65.5702
Rosette	1	8 g	1.65.5432
Double beard key Ø3	1	42 g	1.65.34789
Countersunk screw DIN 7991 - M5×12	2	2 g	0.63.D07991.05012

Latch locks

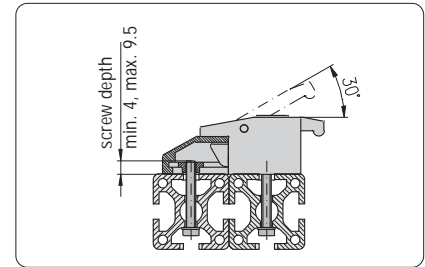


Application

Door lock with small jutout



Installation dimensions



Installation dimensions

Technical data

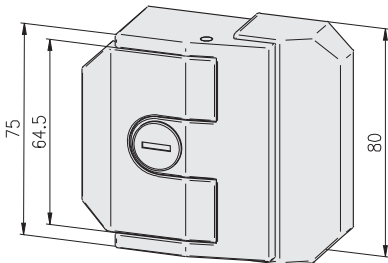
- material:
- capsule: GDZn black coated
 - trap: GDZn rough
 - nut: steel galvanised

Mounting elements

- cap-screw DIN 6913, M6
- washer DIN 433-6.4

Delivery unit

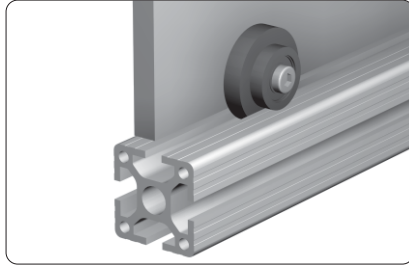
- latch lock
- 4 nuts M6
- 2 keys (by variant with lock)
- cover plug (by variant without lock)



Description

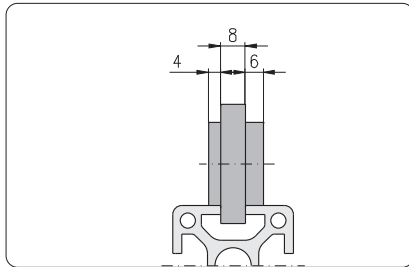
Description	Weight	Article-No.
Latch lock without lock	560 g	1.65.6010
Latch lock with lock, all keyed alike	560 g	1.65.6020
Latch lock with lock, keyed different	560 g	1.65.6030

Roller 39

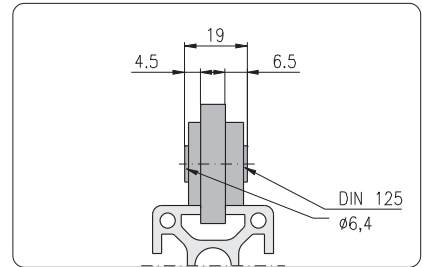


Application

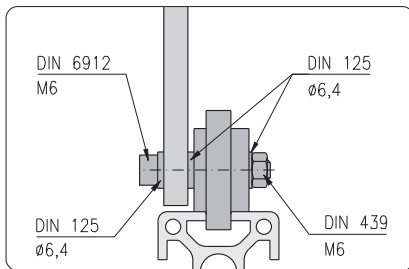
Roller for guiding in the 8 mm profile slot for sliding doors



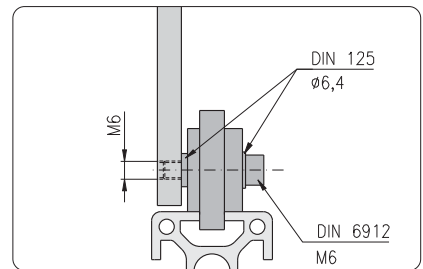
Asymmetric mount



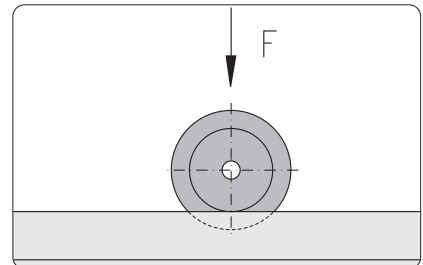
Mounting measure incl. washer DIN 125



Mounting with threaded pillar



Mounting with thread in panel element

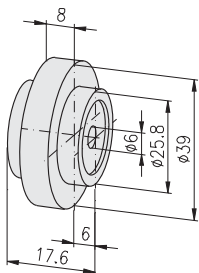


Technical data

material: PA-GF
 colour: black
 max. static load: F = 150 N

Comments

2 deep grooved ball bearings with 2 cover discs



Description

Roller 39

Weight

32 g

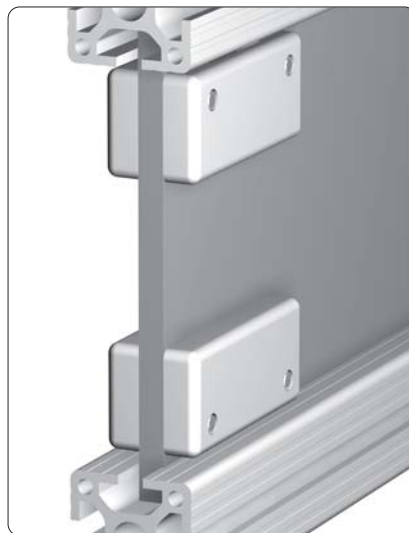
Article-No.

1.66.1395

Roller fastening sets type A



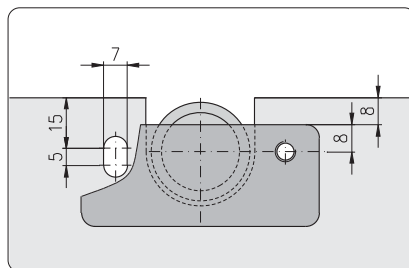
Roller fastening set type A, one-sided



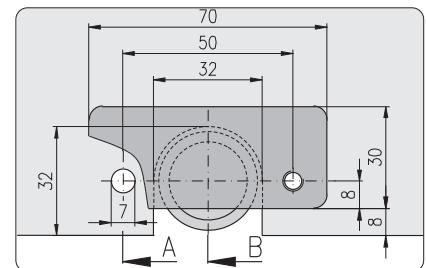
Roller fastening set type A, double-sided

Application

The roller fastening set allows the mounting of the roller into the panel element. Thus the panel element fits in the slot and fills the frame completely



Mounting on top side

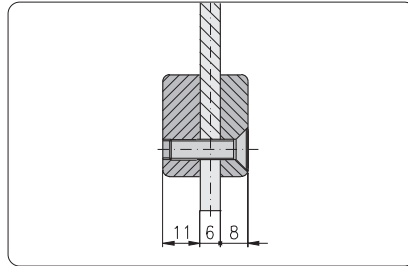


Mounting on bottom side

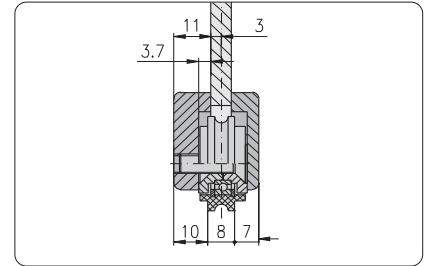
Comments

The elongated hole in the panel element allows the adjustment of the height tolerance

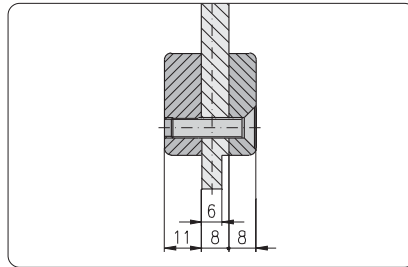
Roller fastening sets type A



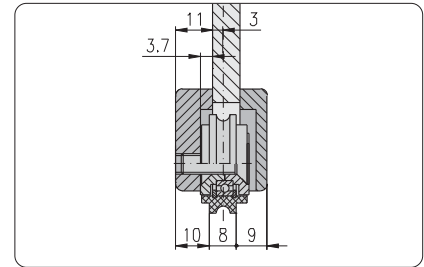
Panel element 6 mm
View A - A



Panel element 6 mm
View B - B



Panel element 8 mm
View A - A



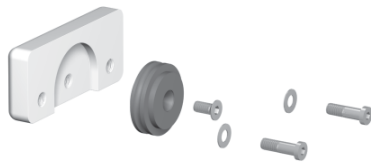
Panel element 8 mm
View B - B

Technical data

base body
material: aluminium
surface: natural anodised

one sided

Description	Weight	Article-No.
Roller fastening set type A, one sided, complete	55.5 g	1.66.5160

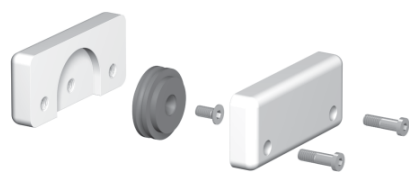


Single parts

Description	Pcs.	Weight	Article-No.
Roller bracket type A, left	1	21.0 g	1.66.5299
Roller 29	1	12.0 g	1.66.2290
Countersunk screw DIN 7991 - M6×20	1	4.5 g	0.63.D07991.06020
Cap-screw DIN 6912 - M6×20	2	5.0 g	0.63.D06912.06020
Washer DIN 6340 - 6.4	2	4.0 g	0.62.D06340.06,4

double sided

Description	Weight	Article-No.
Roller fastening set type A, double sided, complete	64.5 g	1.66.5260



Single parts

Description	Pcs.	Weight	Article-No.
Roller bracket type A, right	1	16.0 g	1.66.5298
Roller bracket type A, left	1	21.0 g	1.66.5299
Roller 29	1	12.0 g	1.66.2290
Countersunk screw DIN 7991 - M6×20	1	4.5 g	0.63.D07991.06020
Countersunk screw DIN 7991 - M6×25	2	5.5 g	0.63.D07991.06025

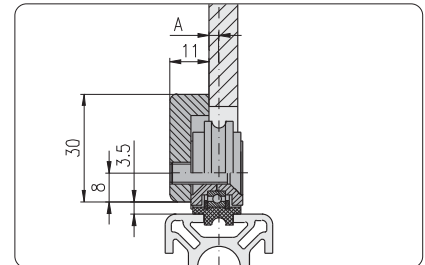
**Roller fastening sets
type B**



Guidance in profile slot

Application

The roller fastening set allows the mounting of the roller into the panel element

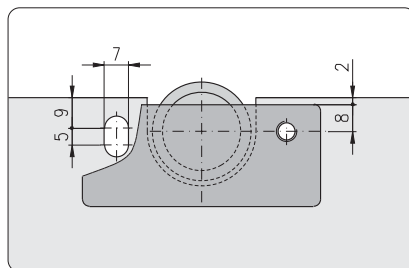


Guidance in twin track guide

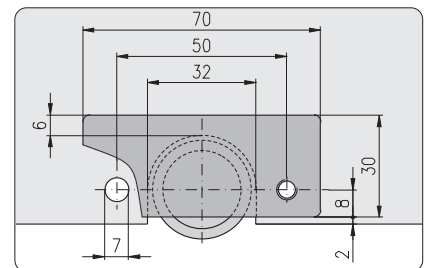
Comments

Mounting position of roller optional

A = 1.7 mm
2.7 mm



Mounting on top side



Mounting on bottom side

Comments

The elongated hole in the panel element allows to adjust the height tolerance and to unhinge the sliding door

Roller fastening sets type B

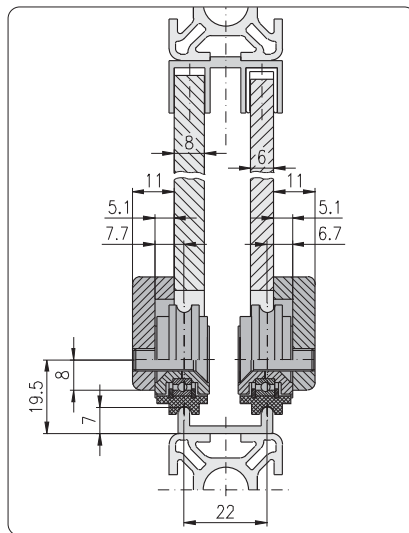


Application

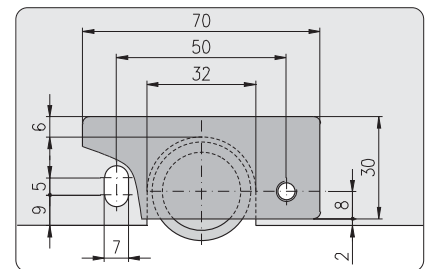
Guidance of sliding door
 on top: sliding profile 30×14
 on bottom: twin track guide with profile

The slot in the panel element allows:

- adjustment of height tolerance
- removal of the sliding door



Mounting position of roller:
 dimension 6.7 = panel element 6 mm
 dimension 7.7 = panel element 8 mm

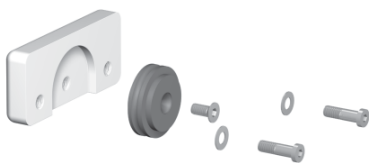


Technical data

base body
 material: aluminium
 surface: natural anodised

Description	Weight	Article-No.
Roller fastening set type B, complete	62 g	1.66.5360

Single parts



Description	Pcs.	Weight	Article-No.
Roller bracket type B	1	21.0 g	1.66.5399
Roller 29	1	12.0 g	1.66.2290
Countersunk screw DIN 7991 - M6×20	1	4.5 g	0.63.D07991.06020
Cap-screw DIN 6912 - M6×20	2	5.0 g	0.63.D06912.06020
Washer DIN 6340 - 6.4	2	4.0 g	0.62.D06340.06,4

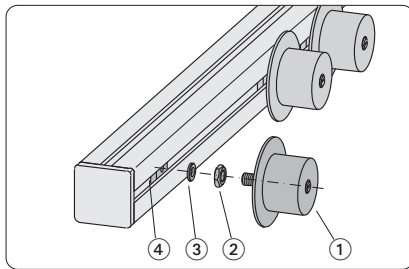
Edge roller



Application

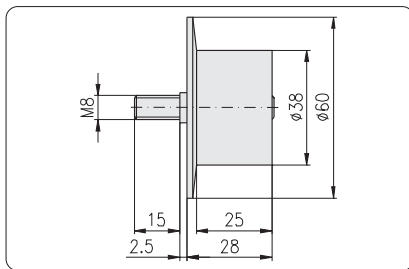
Roller conveyors for transporting boxes and containers

- low noise
- low friction operation due to double ball bearings
- simple assembly



Single parts

- ① edge roller
- ② hexagon nut
- ③ shim
- ④ threaded plate



Technical data

material:

- roller: impact resistant plastic
- axle: galvanised

colour:

- roller: black

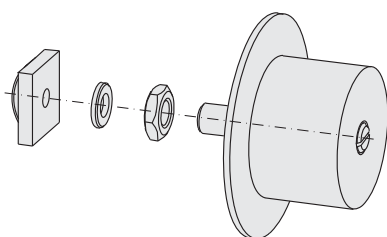
bearings: steel or stainlessball bearings on galvanised steel bolt

loading capacity:

- static: 50 N
- dynamic: 100 N

Mounting elements

threaded plate E M8	1.31.EM8
hexagon nut DIN 934 - M8	0.61.D00934.08
washer DIN 125 - 8.4	0.62.D00125.A08,4



Description

Edge roller E

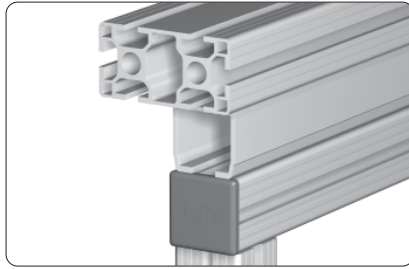
Weight

51.0 g

Article-No.

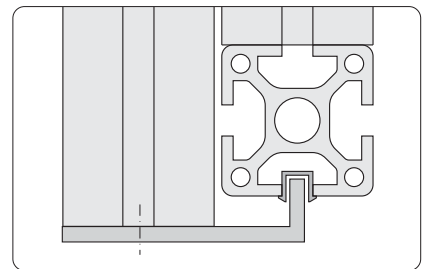
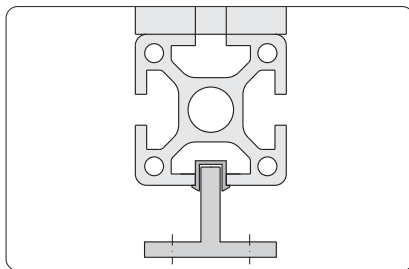
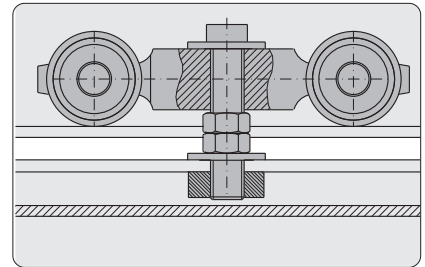
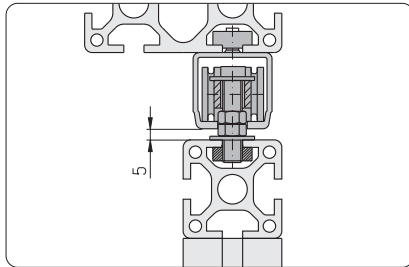
1.66.7523860

**Roller fitting
for suspended doors**



Application

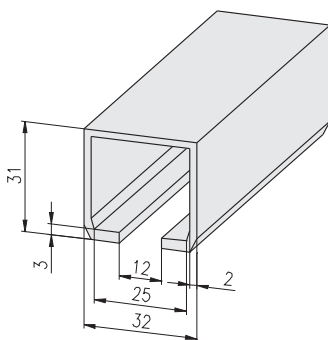
Sliding suspended doors made of profile frames for large openings and heavy doors



Guidance for mounting on the floor

Guidance for mounting on the profile frame

**Alu C-track
for suspended doors**




Technical data

bar length: 6 m
material: aluminium
surface: natural anodised

Description

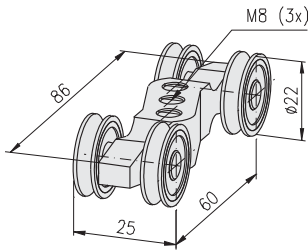
Weight

Article-No.

Alu C-track	bar	3.6 kg	1.19.14532.60
 Alu C-track	cut to length	0.6 kg	1.19.14532-A00A00/... /... = length in mm

Runner

for suspended door



Technical data

material: zinc diecasting
 surface: bare
 4 ball bearing rollers
 max. load capacity: 70 kg

Description

Runner for suspended door

Weight

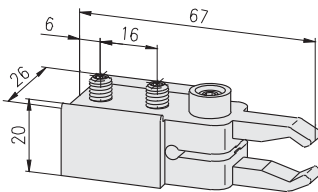
91 g

Article-No.

1.66.8020

Stopper

for suspended door



Technical data

material: plastic
 colour: grey

Description

Stopper for suspended door

Weight

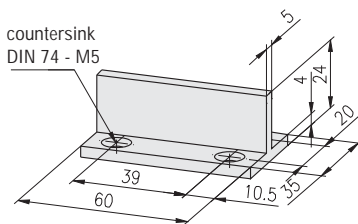
21 g

Article-No.

1.66.8030

Bottom guide

for suspended door



Technical data

material: plastic
 colour: grey

Comments

Countersink DIN 74 - M5 for
 countersunk screw DIN 7991 - M5

Description

Bottom guide for suspended door

Weight

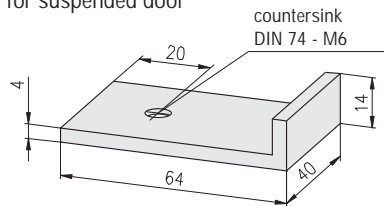
9 g

Article-No.

1.66.8040

Frame guide

for suspended door



Technical data

material: aluminium
 surface: natural anodised

Comments

Countersink DIN 74 - M6 for
 countersunk screw DIN 7991 - M6

Description

Frame guide for suspended door

Weight

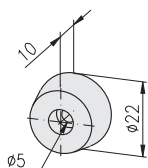
30 g

Article-No.

1.66.8050

Rubber door stop

for suspended door



Technical data

material: rubber
 colour: black

Description

Rubber door stop for suspended door

Weight

3 g

Article-No.

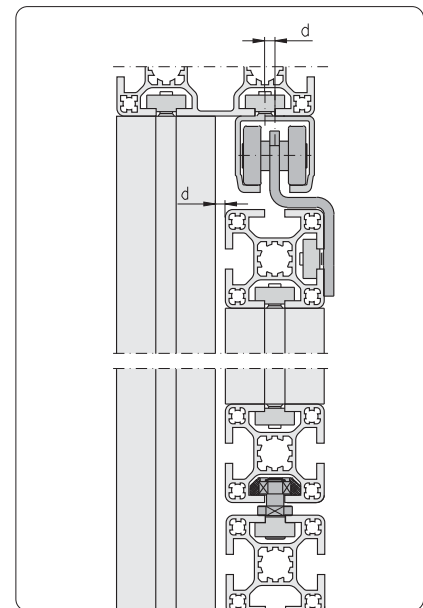
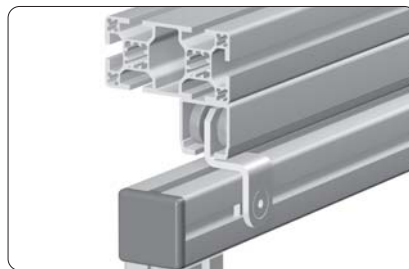
1.66.8060

**Runner
for sliding suspended doors**

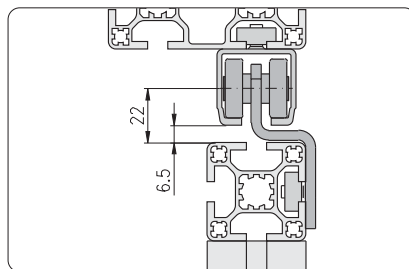


Application

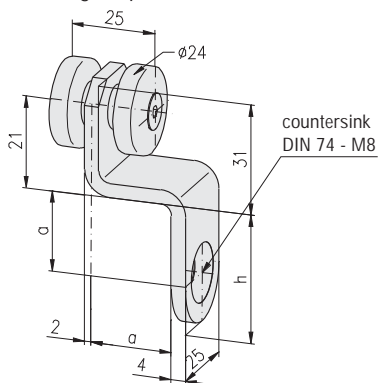
Sliding suspended doors made of profile frames for large openings and heavy doors



Distance d = mismatch of Alu C-track



**Runner
for sliding suspended door**



Technical data

- material:
 • strap: VA
 • bolt: C45 K
 • distance bush: AlMg3
 max. load capacity: 100 kg

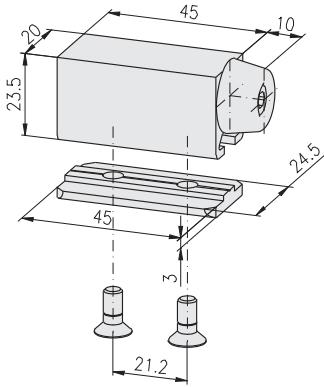
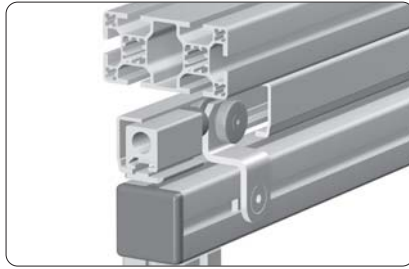
Comments

Countersink DIN 74 - M8 for
countersunk screw DIN 7991 - M8

Description

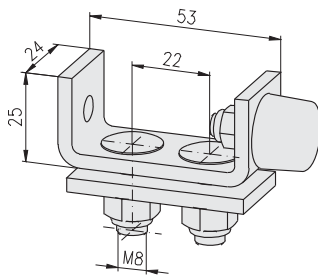
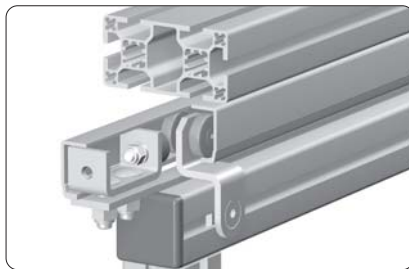
Description	a	b	h	Weight	Article-No.
Runner for sliding susp. door, PG 40	21.0	20.0	38.0	102 g	1.66.81140
Runner for sliding susp. door, PG 45	23.5	22.5	43.0	114 g	1.66.81145

Stopper Type 1
for sliding suspended door



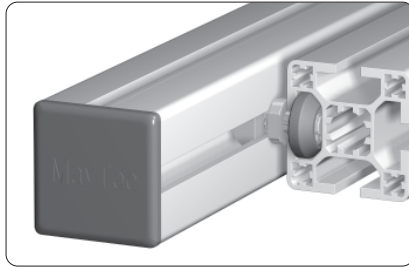
Description	Weight	Article-No.
Stopper Type 1 for sliding suspended door, complete	63 g	1.66.8201055

Stopper Type 2
for sliding suspended door



Description	Weight	Article-No.
Stopper Type 2 for sliding suspended door, complete	160 g	1.66.8202065

Slot rollers

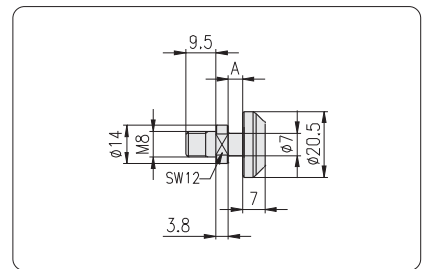
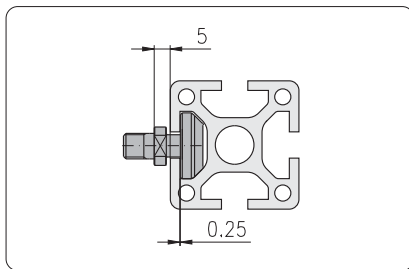
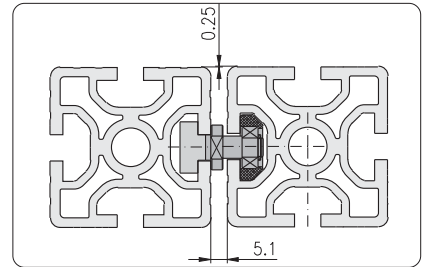
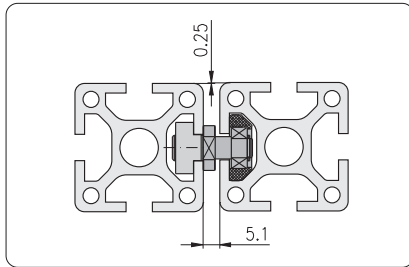


Application

For light running sliding doors

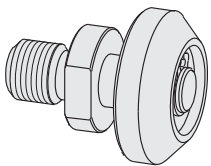
Technical data

material: PETP
 colour: black
 max. static load: 8 kg/roller

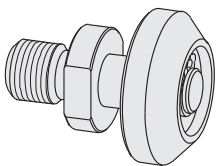


Fastening elements (optional)

- threaded plate E M8 1.31.EM8
- threaded plate, heavy, E M8 1.31.6EM8
- T-Nut, E M8 1.32.EM8
- T-Nut for subs. insertion E, M8 1.32.4EM8



Description	A	Weight	Article-No.
Slot roller E3	4.45	24 g	1.67.42E3M8



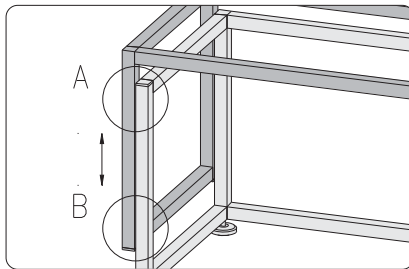
Description	A	Weight	Article-No.
Slot roller E4	5.45	24 g	1.67.42E4M8

Guidance system

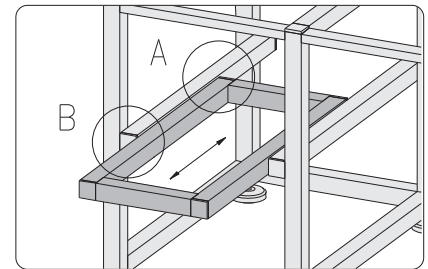


Application

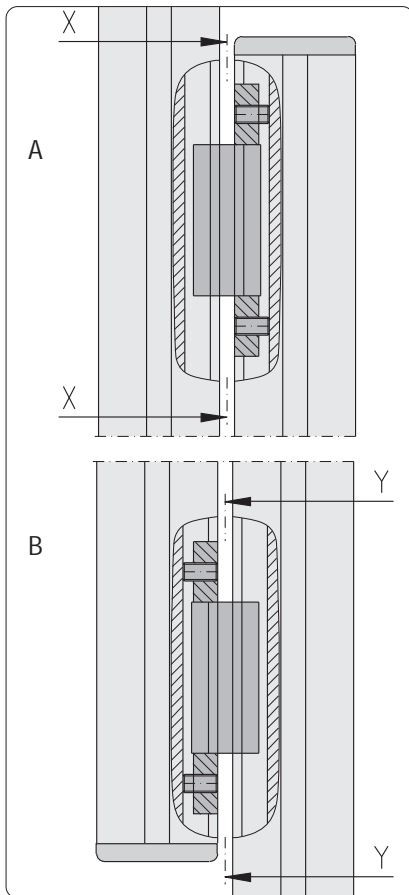
Slideway with sliding blocks e.g. for lifting tables and drawers



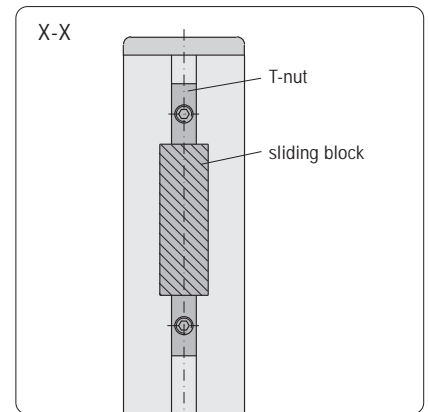
Slideway for lifting table



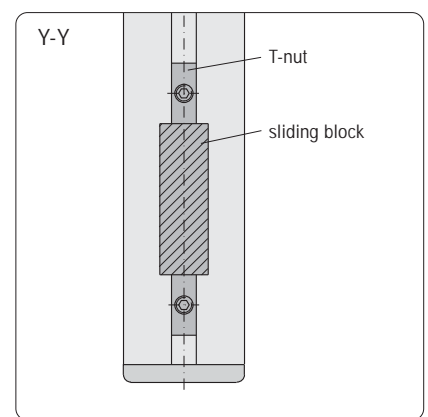
Slideway for drawer



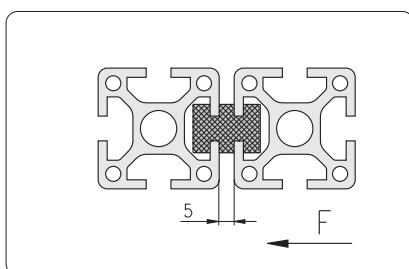
Details "A" and "B"



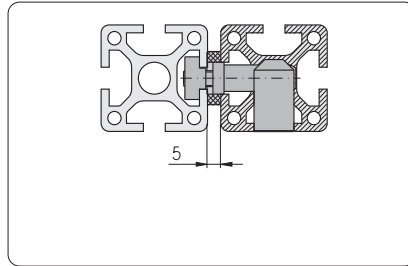
View "X"



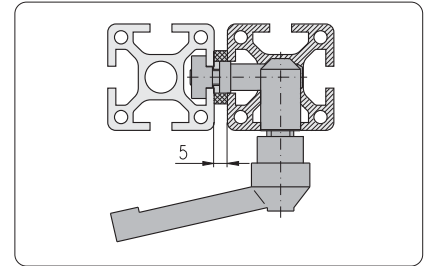
View "Y"



Clamping
for guidance system



Clamping with setscrew



Clamping with clamping lever

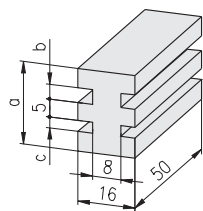
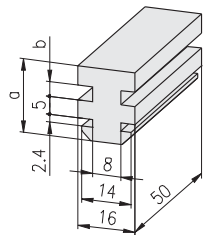
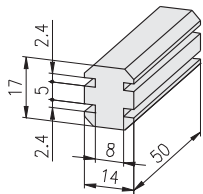
Single parts for clamping

Description	Article-No.
T-nut sliding block	1.67.□M8
Distance washer	1.67.2008
Clamping lever	1.29.801030

Connector

Description	for profile	Article-No.
Connector, screw-type, parallel, M8	30×30	1.21.3/4S5M8/7
Connector, screw-type, parallel, M8	40×40	1.21.4/5S5M8/11
Connector, screw-type, parallel, M8	45×45	1.21.45/55S5M8/11
Connector, screw-type, parallel, M8	50×50	1.21.5/6S5M8/11
Connector, screw-type, parallel, M8	60×60	1.21.6S1M8/11

Sliding blocks



Technical data

material: PA6G oil,
(murlubric or similar)
colour: black
max. carrying capacity: $p = 20 \text{ N/mm}^2$
at • temperature 20°C
• velocity 1 m/sec

Description	F	Weight	Article-No.
Sliding block F	1,500 N	11 g	1.67.F2F2

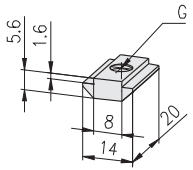
Description	a	b	F	Weight	Article-No.
Sliding block F/E3	19.6	3.2	1,500 N	15 g	1.67.F2E3
Sliding block F/E4	20.6	4.2	1,500 N	15 g	1.67.F2E4

Description	a	b	c	F	Weight	Article-No.
Sliding block E3	22.2	3.2	3.2	2,000 N	18 g	1.67.E3E3
Sliding block E3/E4	23.2	3.2	4.2	2,000 N	18 g	1.67.E3E4
Sliding block E4	24.2	4.2	4.2	2,000 N	23 g	1.67.E4E4

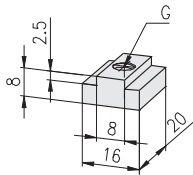
T-nut sliding blocks

Technical data

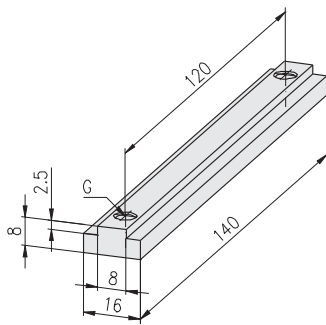
material: PA6G oil (murlubric or similar)
 colour: black



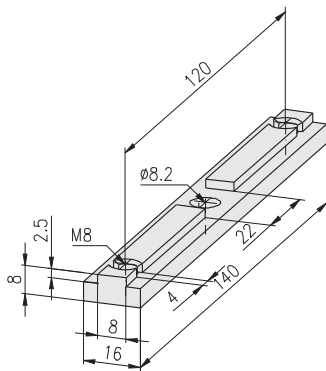
Description	G	Weight	Article-No.
T-nut sliding block F	M6	1.5 g	1.67.FM6
T-nut sliding block F	M8	1.5 g	1.67.FM8



Description	G	Weight	Article-No.
T-nut sliding block E	M6	3.0 g	1.67.EM6
T-nut sliding block E	M8	3.0 g	1.67.EM8



Description	G	Weight	Article-No.
T-nut sliding block E	2×M6	17.0 g	1.67.E2M61400
T-nut sliding block E	2×M8	16.6 g	1.67.E2M81400

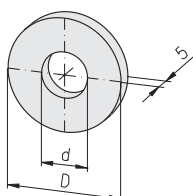


Description	Weight	Article-No.
T-nut sliding block E 2×M8 for Eco-Slide with clamping lever	15.6 g	1.67.E2M81408

Distance washer

Technical data

material: PVC
 colour: grey



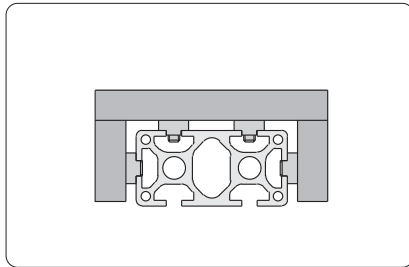
Description	D	d	Weight	Article-No.
Distance washer	22	8.3	3.0 g	1.67.2002
Distance washer	28	13.0	3.0 g	1.67.2008

Eco-Slides

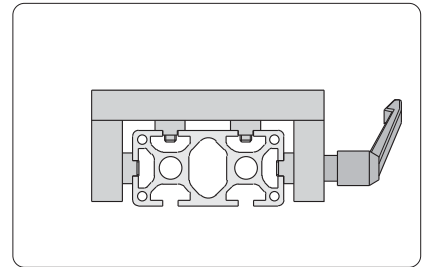


Application

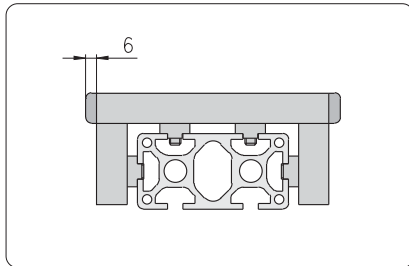
Sliding carriage in variable, simple and rugged design with low sliding resistance
High tolerance adjustment for width and height



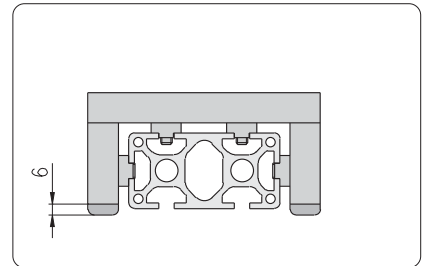
without clamping lever



with clamping lever



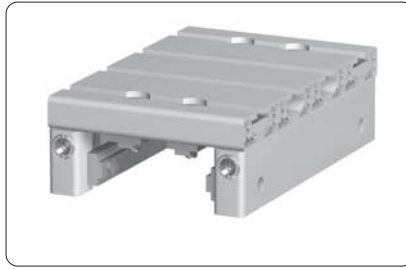
with side cover caps



with lower cover caps

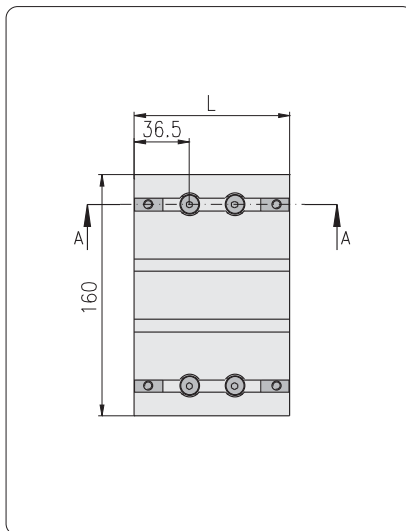
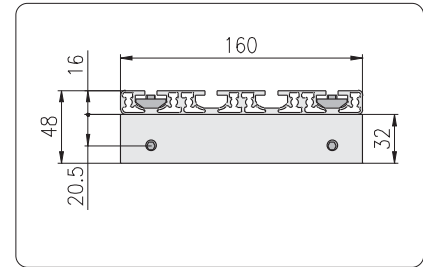
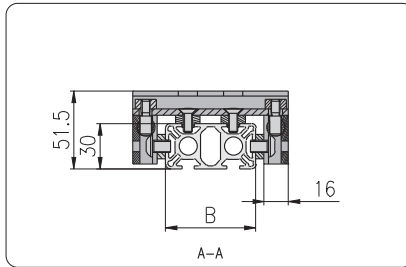
Eco-Slide

for profile group 30
F-slot



Technical data

loading capacity: max. 1,000 N



Width of profile

30 mm

Description	B	L	Weight	Article-No.
Eco-Slide, PG 30 - 30F	73	73	510 g	1.67.S101.030030F
Eco-Slide, PG 30 - 30F, with clamping lever	73	73	549 g	1.67.S102.030030F

60 mm

Description	B	L	Weight	Article-No.
Eco-Slide, PG 30 - 60F	103	103	600 g	1.67.S101.030060F
Eco-Slide, PG 30 - 60F, with clamping lever	103	103	639 g	1.67.S102.030060F

100 mm

Description	B	L	Weight	Article-No.
Eco-Slide, PG 30 - 100F	143	143	720 g	1.67.S101.030100F
Eco-Slide, PG 30 - 100F, with clamping lever	143	143	759 g	1.67.S102.030100F

150 mm

Description	B	L	Weight	Article-No.
Eco-Slide, PG 30 - 150F	193	193	810 g	1.67.S101.030150F
Eco-Slide, PG 30 - 150F, with clamping lever	193	193	849 g	1.67.S102.030150F

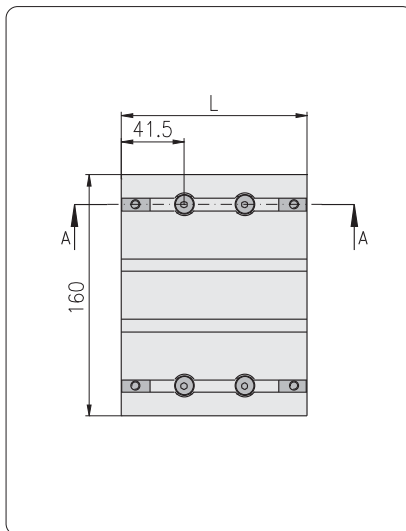
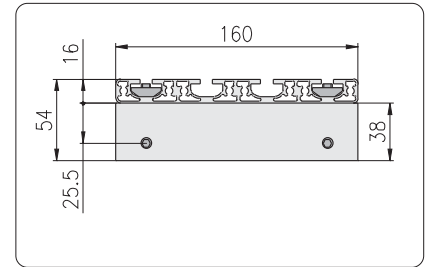
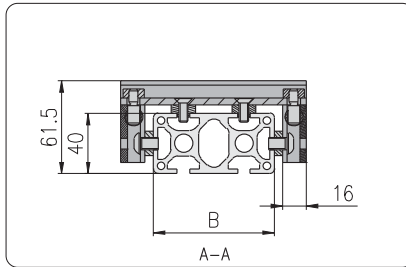
Eco-Slide

for profile group 40
E-slot



Technical data

loading capacity: max. 1,000 N



Width of profile

40 mm

Description	B	L	Weight	Article-No.
Eco-Slide, PG 40 - 40E		83	555 g	1.67.S101.040040E
Eco-Slide, PG 40 - 40E, with clamping lever		83	594 g	1.67.S102.040040E

80 mm

Description	B	L	Weight	Article-No.
Eco-Slide, PG 40 - 80E		123	670 g	1.67.S101.040080E
Eco-Slide, PG 40 - 80E, with clamping lever		123	709 g	1.67.S102.040080E

120 mm

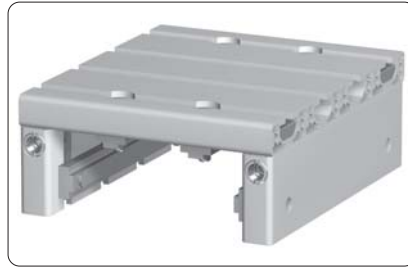
Description	B	L	Weight	Article-No.
Eco-Slide, PG 40 - 120E		163	790 g	1.67.S101.040120E
Eco-Slide, PG 40 - 120E, with clamping lever		163	829 g	1.67.S102.040120E

160 mm

Description	B	L	Weight	Article-No.
Eco-Slide, PG 40 - 160E		203	910 g	1.67.S101.040160E
Eco-Slide, PG 40 - 160E, with clamping lever		203	949 g	1.67.S102.040160E

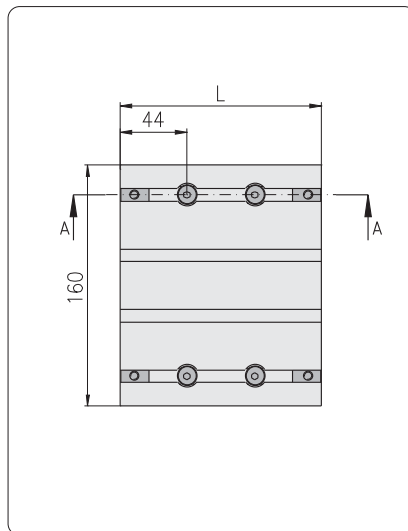
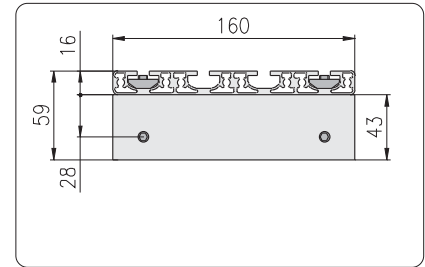
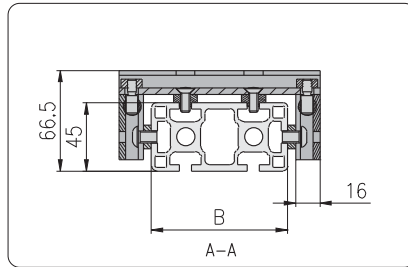
Eco-Slide

for profile group 45
E-slot



Technical data

loading capacity: max. 1,000 N



Width of profile

45 mm

Description	B	L	Weight	Article-No.
Eco-Slide, PG 45 - 45E		88	665 g	1.67.S101.045045E
Eco-Slide, PG 45 - 45E, with clamping lever		88	704 g	1.67.S102.045045E

90 mm

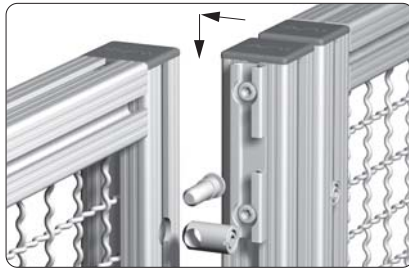
Description	B	L	Weight	Article-No.
Eco-Slide, PG 45 - 90E		133	710 g	1.67.S101.045090E
Eco-Slide, PG 45 - 90E, with clamping lever		133	749 g	1.67.S102.045090E

Hanging bracket

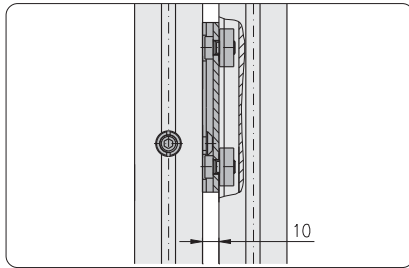


Application

Element for mounting unHINGEABLE fence elements



The connector cross bushing can be fixed at the front or back

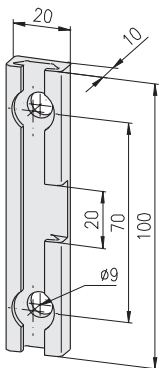


Technical data

material: aluminium
 strength: F25
 surface: natural anodised

Comments

- Elements needed for mounting:
- cap-screw DIN 6912 M8×12 with threaded plate
 - T-Nut for subsequent insertion M8 with cap-screw DIN 6912 M8×10
 - parallel-connector with F-head



Description

Hanging bracket

Weight

16 g

Article-No.

1.68.201050

Suspended glider

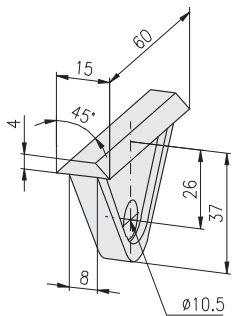


Application

Element for tool suspension in MayTec-profile

Technical data

material: PA-GF
 colour: black
 max. static load: 300 N



Description

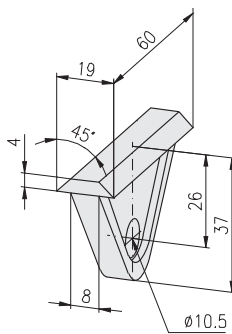
Suspended glider F

Weight

10 g

Article-No.

1.69.F010



Description

Suspended glider E

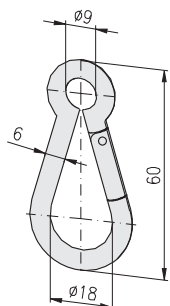
Weight

10 g

Article-No.

1.69.E010

Carabine swivel



Technical data

material: steel
 surface: galvanised

Description

Carabine swivel 60x6

Weight

27 g

Article-No.

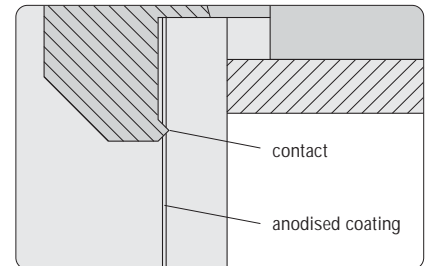
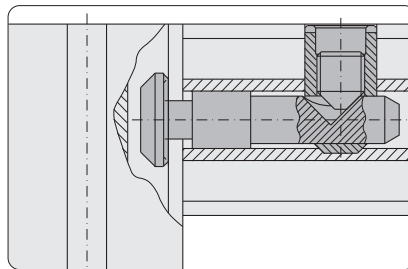
1.69.1606

Potential equalisation



Application

Ground connections to establish the potential equalisation between two profiles
The serration at the bottom of the socket head of the connector pushes through the anodised coating of the profiles and thus provides the electrical contact

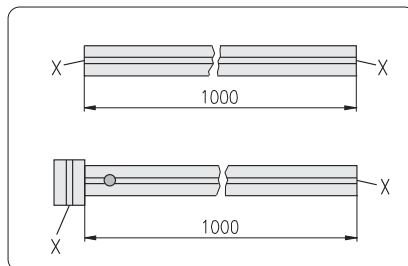


Comments

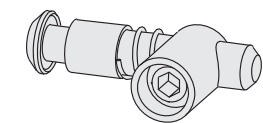
Suitable to equalise charge accumulations
Not suitable for higher currents

Technical data

Low current measurements in accordance with DIN VDE 0413, Part 4 for the control of protective circuits, earthing circuits and potential equalisation methods through low resistance connections for protection against dangerous currents

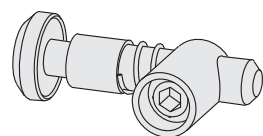


Resistance values with DC current of more than 200 mA with 1.0 m alu-profile	
without connector	0.11 Ω
with 1 standard connector	> 2 MΩ
with 1 univ. grounding connector	0.11 Ω



Description

Description	Article-No.
Connector, universal, grounding, PG 20	1.21.2FOE
Connector, universal, grounding, PG 30	1.21.3FOE
Connector, universal, grounding, PG 40	1.21.4FOE
Connector, universal, grounding, PG 45	1.21.45FOE
Connector, universal, grounding, PG 50	1.21.5FOE
Connector, universal, grounding, PG 60	1.21.6FOE



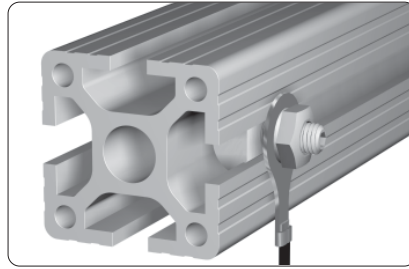
Description

Description	Article-No.
Connector, universal, grounding, PG 20	1.21.2EOE
Connector, universal, grounding, PG 30	1.21.3EOE
Connector, universal, grounding, PG 40	1.21.4EOE
Connector, universal, grounding, PG 45	1.21.45EOE
Connector, universal, grounding, PG 50	1.21.5EOE
Connector, universal, grounding, PG 60	1.21.6EOE

Comments

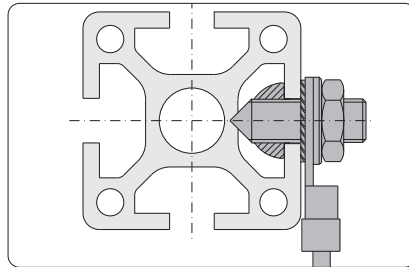
More grounding connectors
➔ *Connectors 1.2A*

Ground connections



Application

Couplings for grounding of anodised profiles



Comments

The grounding is caused by breaking the anodised layer at the bottom of the slot and at the profile's front side

Description	Weight	Article-No.
Ground connection F, M6	74 g	1.70.10FM6



Single parts

- T-Nut for subsequent insertion F, M6
- Setscrew DIN 914 - M6×25 - V2A
- Fan type lock washer DIN 6798 - A6.4 - V2A
- Hexagon nut DIN 439 - M6 - Ms
- Washer with chamfer DIN 125 - B6.4 - Ms

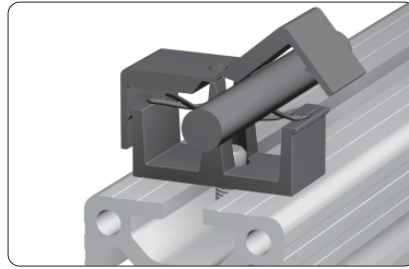
Description	Weight	Article-No.
Ground connection E, M8	146 g	1.70.10EM8



Single parts

- T-Nut for subsequent insertion E, M8
- Setscrew DIN 914 - M8×25 - V2A
- Fan type lock washer DIN 6798 - A8.4 - V2A
- Hexagon nut DIN 439 - M8 - Ms
- Washer with chamfer DIN 125 - B8.4 - Ms

Cable and hose clamp

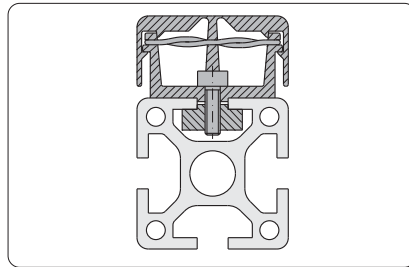


Application

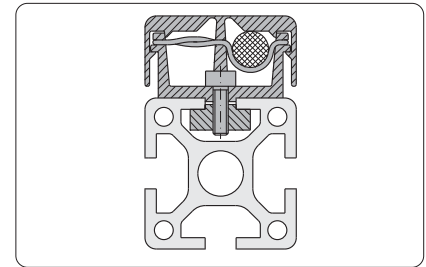
Fixing element for cables and hoses up to Ø12 mm

Technical data

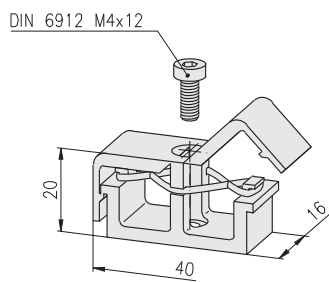
material: PA
colour: black



Mounting on profiles



Ø_{max} = 12 mm for cables and hoses



Fastening elements for E-slot

cap-screw DIN 6912 M4x12

T-Nut for subs. insertion, with leaf spring E, M4 1.32.4EM4

spring-nut E, M4 1.33.EM4

T-slot nut E, M4 1.34.10EM4

Description

Cable and hose clamp

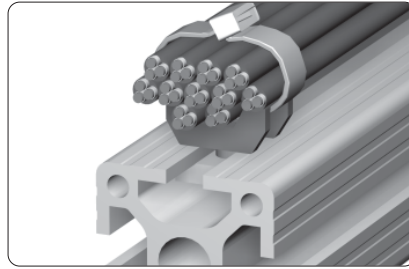
Weight

8 g

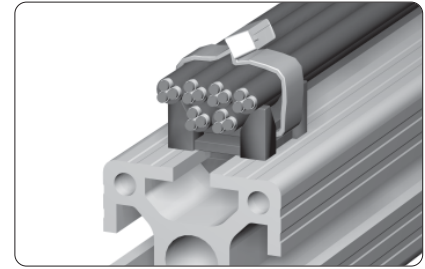
Article-No.

1.71.1010

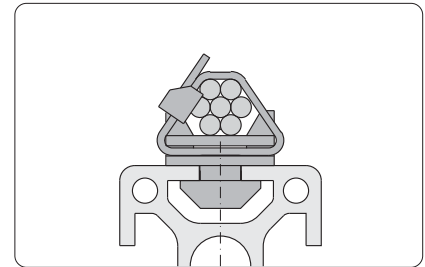
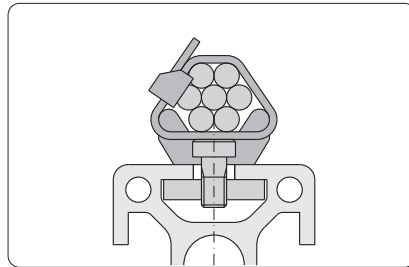
**Block for cable binder,
Cross-blocks for cable binder
front-sided insertion,
Cable binder**



Block for cable binder



Cross-block for cable binder



front-sided insertion

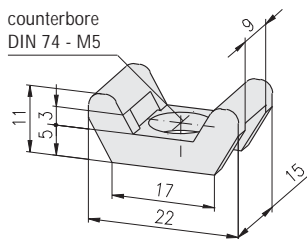
Technical data

material: PA
colour: black

Application

Element for fixing single cables and hoses or large quantities

Block for cable binder



Comments

Counterbore DIN 74 - M5 for cap-screw DIN 6912 - M5

Description

Block for cable binder

Weight

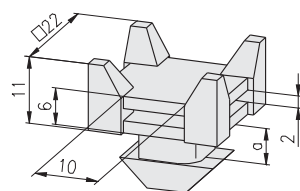
1.6 g

Article-No.

1.71.2010

Cross-blocks for cable binder

front-sided insertion



Description

Cross-block for cable binder F
Cross-block for cable binder E3
Cross-block for cable binder E4

a

2.2
3.0
4.0

Weight

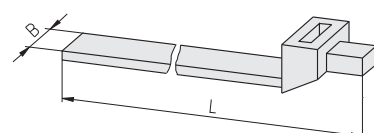
4.0 g
4.0 g
4.0 g

Article-No.

1.71.2020F2
1.71.2020E3
1.71.2020E4

Cable binder

detachable



Description

Cable binder, detachable
Cable binder, detachable

B×L

4.8×145
9.0×140

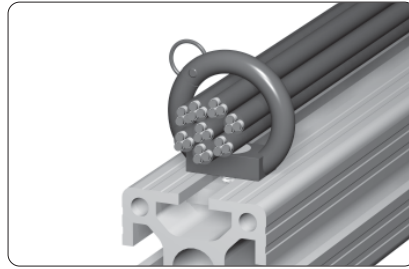
Weight

0.7 g
1.9 g

Article-No.

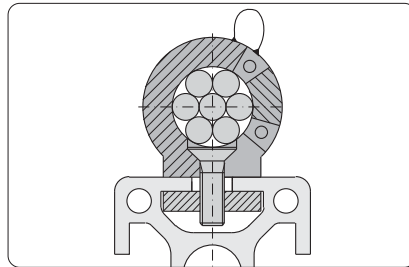
1.71.2048145
1.71.2090140

Installation rings



Application

Element for fixing large quantities of cables and hoses
The rings can be opened for insertion

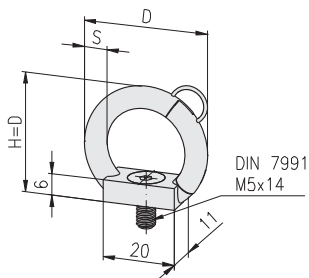


Technical data

material: PA-GF
colour: black

Comments

Delivery unit incl. screw



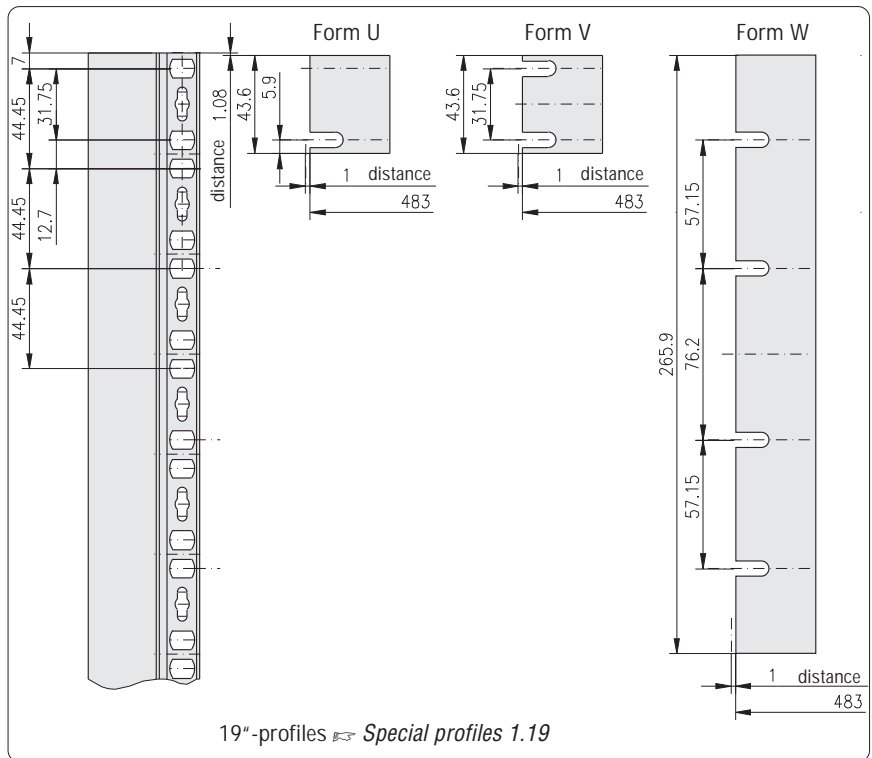
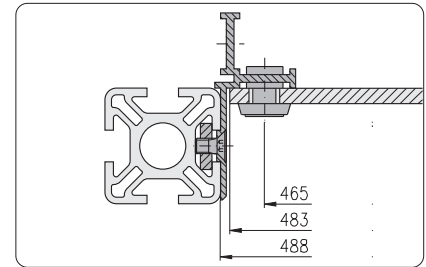
Description	D	s	Weight	Article-No.
Installation ring	Ø28.5	6.0	5 g	1.71.30285
Installation ring	Ø36.5	6.0	6 g	1.71.30365
Installation ring	Ø47.5	7.5	8 g	1.71.30475
Installation ring	Ø56.5	7.5	9 g	1.71.30565

Mounting set for 19" profile

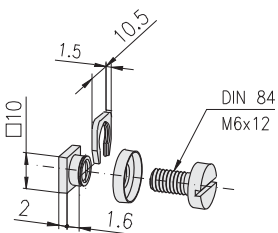


Application

Fastening set for the assembly of 19" plug-in units and 19" profiles



Dimensions for front panels and housings according to DIN 41494



Technical data

screw and nut: steel, galvanised
 plate and socket washer: PA, black
 delivery unit: PU with 10 mounting sets

Description

Mounting set for 19" profile

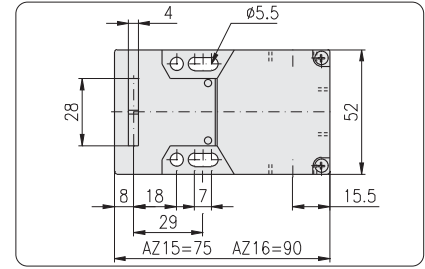
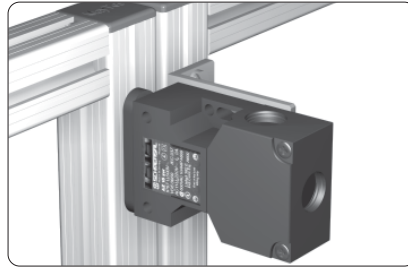
Weight

70 g

Article-No.

1.72.2010.10

Safety switches



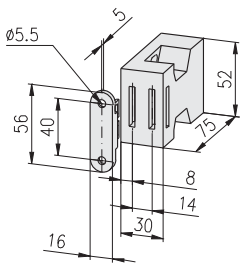
Application

Safety switch for the electrical interlocking of swinging or sliding doors

Comments

Smallest possible radius of operation of 150 mm

with 1 safety contact



Technical data

Schmersal: Type AZ 15 zvrk-M16-2254
IP 67 230V 4A

Description

Safety switch with 1 safety contact
with 5 N - lock-in position

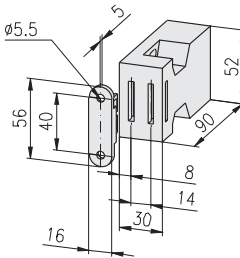
Weight

100 g

Article-No.

1.73.3010

with 1 safety contact and 1 alarm contact



Technical data

Schmersal: Type AZ 16 zvrk-M16-2254
IP 67 230V 4A

Description

Safety switch with 1 safety contact and 1 alarm contact
with 5 N - lock-in position

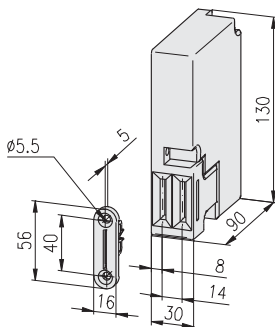
Weight

125 g

Article-No.

1.73.3020

with 1 closing and 1 positioning monitoring



Technical data

Schmersal: Type AZM161sk - 33rk-24V-M16
IP 65

Comments

Locking mechanism by spring
Releasing by solenoid
(closed-circuit system)
24V electrical potential of coil

Description

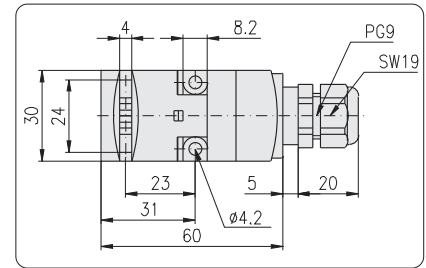
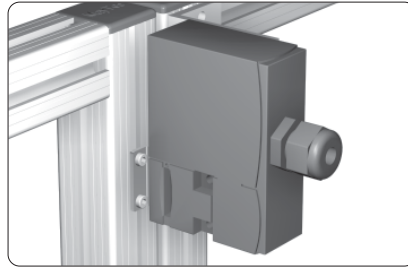
Safety switch with 1 closing and 1 positioning monitoring

Weight

480 g

Article-No.

1.73.3030

**Safety switches
AZ 17**

Application

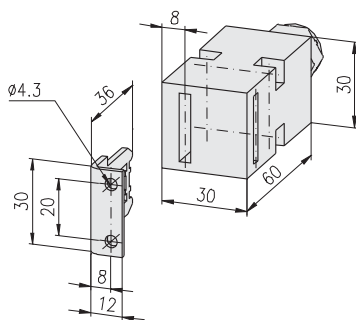
Safety switch for the electrical interlocking of swinging or sliding doors

Technical data

Schmersal: Type AZ 17
4A / 230 VAC IP 67

Comments

Especially suitable for cramped mounting spaces


Description

Safety switch AZ 17-11 zk
with 1 positive-break safety contact
1 no contact

Weight

90 g

Article-No.

1.73.3111

Safety switch AZ 17-02 zk
with 2 positive-break safety contacts

90 g

1.73.3112

**Guard locking devices
AZM 170**
Technical data

Schmersal: Type AZM 170
4A / 230 VAC IP 67

Comments

Locking mechanism by spring
Releasing by solenoid
(closed-circuit system)

Description

Guard locking device AZM 170-11 zk - 024
with 1 positive-break safety contact
1 no contact
24V electrical potential of coil

Weight

300 g

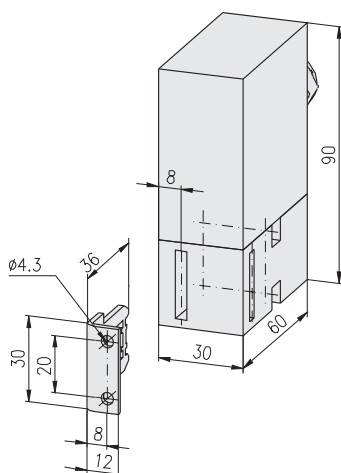
Article-No.

1.73.3121

Guard locking device AZM 170-02 zk - 024
with 2 positive-break safety contacts
24V electrical potential of coil

300 g

1.73.3122


Comments

Locking mechanism by solenoid
Releasing by spring
(working current principle)

Description

Guard locking device AZM 170-11 zka
with 1 positive-break safety contact
1 no contact

Weight

300 g

Article-No.

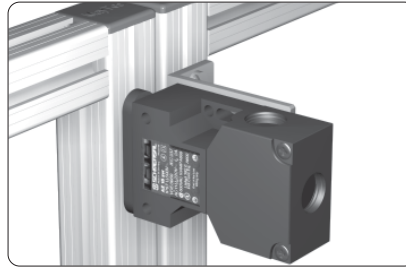
1.73.3131

Guard locking device AZM 170-02 zka
with 2 positive-break safety contacts

300 g

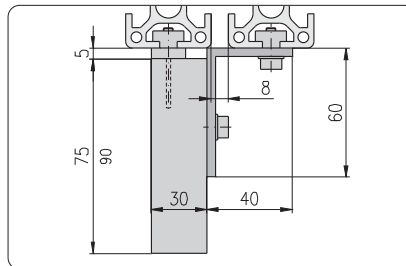
1.73.3132

**Safety interlocking-mountings
for swinging door**



Application

Mounting element for electrical interlocking switches



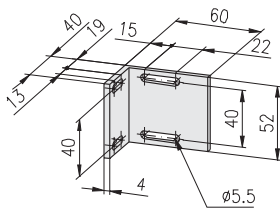
Comments

Assembly on
profile 30x30
profile 40x40
profile 40x80

Technical data

material: aluminium
surface: natural anodised

for swinging door



Description

Safety interlocking-mounting
for swinging door

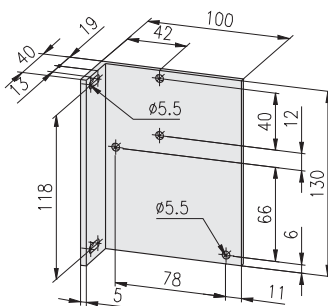
Weight

46 g

Article-No.

1.73.4010

with lock for swinging door



Description

Safety interlocking-mounting
with lock for swinging door

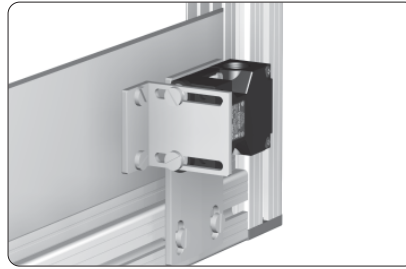
Weight

183 g

Article-No.

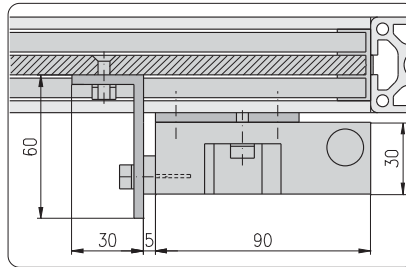
1.73.4020

Safety interlocking-mountings for sliding door



Application

Mounting element for the electrical interlocking of sliding doors



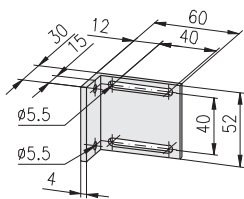
Comments

Assembly on profile 30x30
profile 40x40
profile 40x80

Technical data

material: aluminium
surface: natural anodised

Contact bracket-mounting for sliding door



Description

Contact bracket-mounting for sliding door

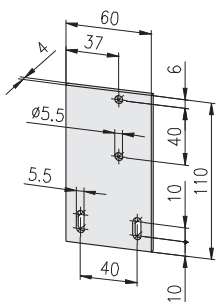
Weight

41 g

Article-No.

1.73.4030

Safety interlocking-mounting for sliding door



Description

Safety interlocking-mounting for sliding door

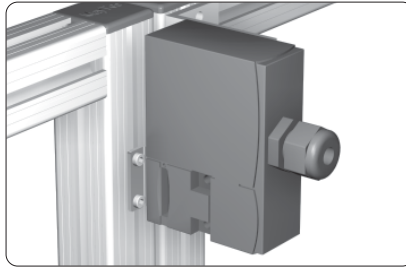
Weight

70 g

Article-No.

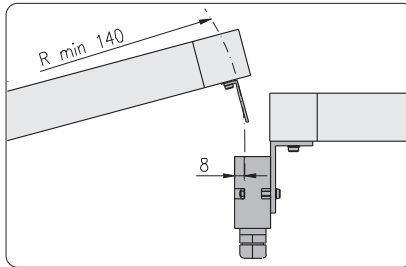
1.73.4040

**Safety interlocking-mountings
AZ 17
for swinging door**

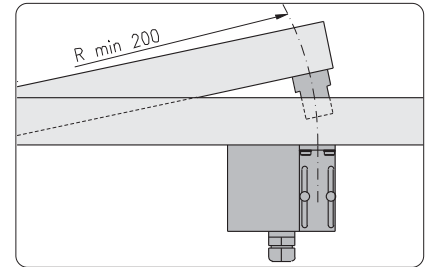


Application

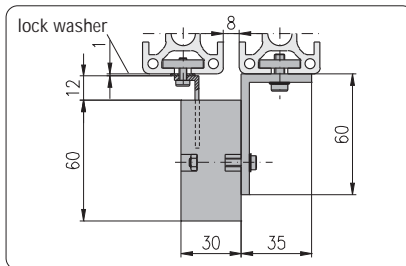
- Fastening elements for:
- safety switches AZ 17
 - safety closing AZM 170 at sliding doors



Activation key
Mounting vertical to swivel radius



Activation key
Mounting horizontal to swivel radius



Comments

Assembly on
profile 30×30
profile 40×40
profile 40×80

Technical data

material: aluminium
surface: natural anodised

Delivery

Incl. lock washers DIN 9021 Ø4.3 mm
for mounting activation key

Description

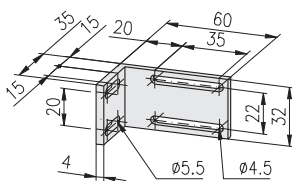
Safety interlocking-mounting AZ 17
for swinging door

Weight

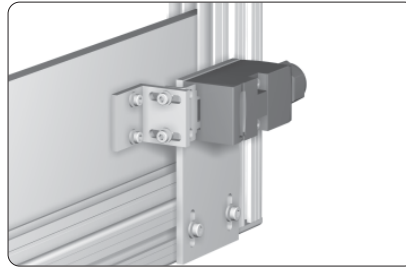
26 g

Article-No.

1.73.4110



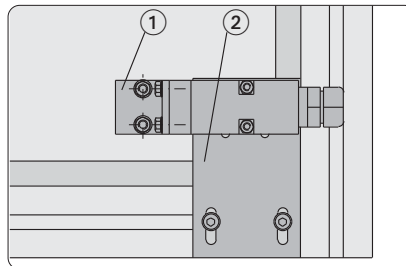
**Safety interlocking-mountings
AZ 17
for sliding door**



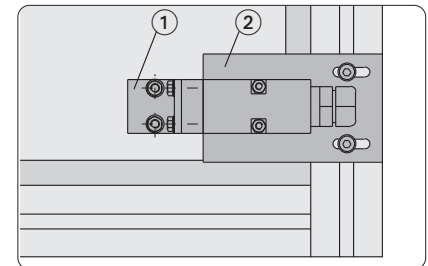
Application

- Fastening elements for:
- safety switches AZ 17
 - safety closing AZM 170 at sliding doors

Mounting position:
Safety switch parallel to sliding door

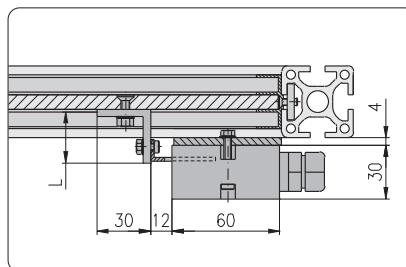


Fastening plate horizontal

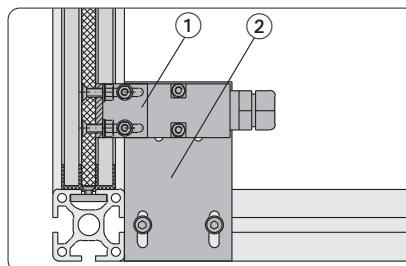


Fastening plate vertical

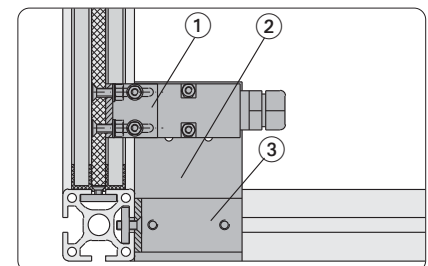
- ① Contact bracket-mounting AZ 17
- ② Safety interlocking-mounting AZ 17



Mounting position:
Safety switch across to sliding door

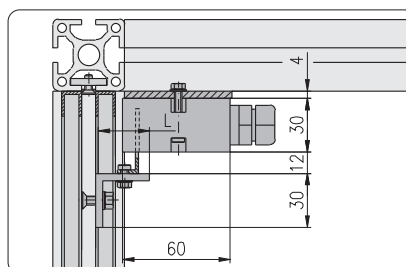


Fixing at cross profile



Fixing at longitudinal profile

- ① Contact bracket-mounting AZ 17
- ② Safety interlocking-mounting AZ 17
- ③ Angle for safety interlocking-mounting AZ 17



Safety interlocking-mountings AZ 17 for sliding door

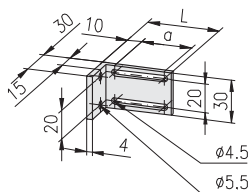
Technical data

material: aluminium
surface: natural anodised

Comments

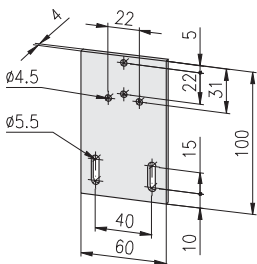
Assembly on
profile 30×30
profile 40×40
profile 40×80

Contact bracket-mounting AZ 17 for sliding door


Description

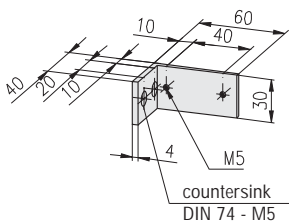
Description	a	Weight	Article-No.
Contact bracket-mounting AZ 17 for sliding door, L 30	15	16 g	1.73.4123
Contact bracket-mounting AZ 17 for sliding door, L 40	25	19 g	1.73.4124
Contact bracket-mounting AZ 17 for sliding door, L 50	35	21 g	1.73.4125

Safety interlocking-mounting AZ 17 for sliding door


Description

Description	Weight	Article-No.
Safety interlocking-mounting AZ 17 for sliding door	62 g	1.73.4130

Angle for safety interlocking-mounting AZ 17 for sliding door


Comments

Countersink DIN 74 - M5 for
countersunk screw DIN 7991 - M5

Description

Description	Weight	Article-No.
Angle for safety interlocking-mounting AZ 17 for sliding door	30 g	1.73.4140

Sensor brackets



Application

For fastening of sensors



Assembly

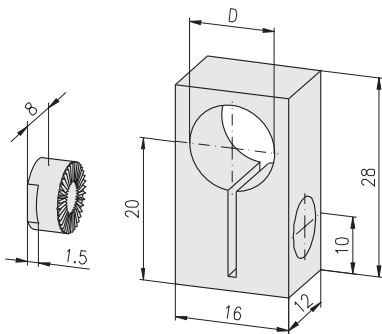
The toothed lock washer is fixed in profile slot and guarantees a reliable positioning

Technical data

material: PA, black

Fastening elements

cap-screw DIN 6912, M4

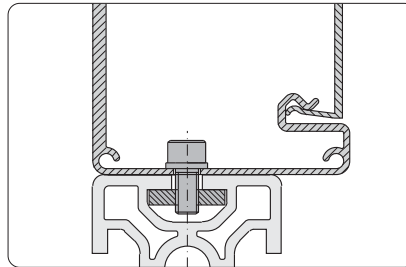


Description	D	Weight	Article-No.
Sensor bracket 8	Ø6.5	5.5 g	1.73.80806
Sensor bracket 8	Ø8	5.4 g	1.73.80808
Sensor bracket 8	Ø12	4.6 g	1.73.80812

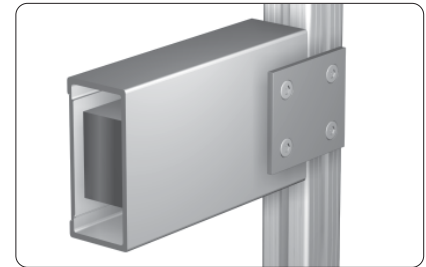
Electrical installation trunking

Application

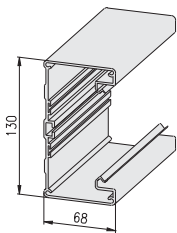
- To supply machines and work stations with:
- alternating current
 - high-tension current
 - air



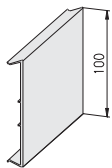
Mounting direct to profile





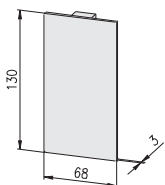
Mounting with connection plate

E-trunking Alu, 68x130


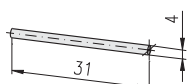
Description	Weight	Article-No.
E-trunking Alu, 68x130, bar 6 m	13 kg	1.74.1101.60
 E-trunking Alu, 68x130, cut to length	2.17 kg/m	1.74.1101-A00A00/... /... = length in mm

E-trunking pre-cut lid


Description	Weight	Article-No.
E-trunking pre-cut lid Alu, bar 6 m	5 kg	1.74.1102.60
 E-trunking pre-cut lid Alu, cut to length	834 g/m	1.74.1102-A00A00/...
E-trunking pre-cut lid PVC, light grey, bar 2 m	760 g	1.74.1103.20
 E-trunking pre-cut lid PVC, l. grey, cut to length	380 g/m	1.74.1103-A00A00/... /... = length in mm

E-trunking end cap


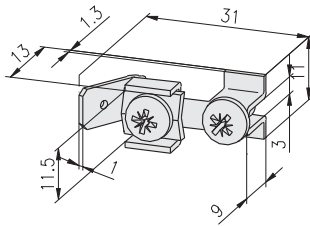
Description	Weight	Article-No.
E-trunking end cap Alu	230 g	1.74.1104

E-trunking coupling pin

Comments

Coupling pin for positioning and elongating the electrical trunking

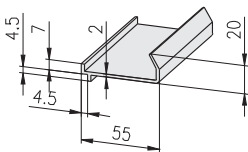
Description	Weight	Article-No.
E-trunking coupling pin	3 g	1.74.1105

E-trunking earth terminal



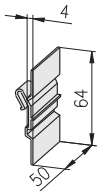
Description	Weight	Article-No.
E-trunking earth terminal	6.8 g	1.74.1106

E-trunking partition



Description	Weight	Article-No.
E-trunking partition, bar 2 m	540 g	1.74.1107.20
 E-trunking partition, cut to length	270 g/m	1.74.1107-A00A00/... /... = length in mm

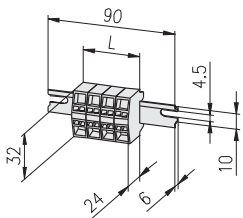
E-trunking clip



Comments
Clip to support partition

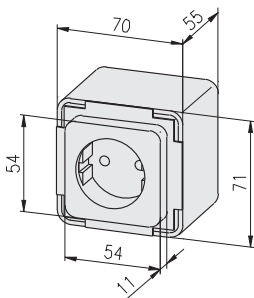
Description	Weight	Article-No.
E-trunking clip	7 g	1.74.1108

E-trunking terminal strip



Description	L	Weight	Article-No.
E-trunking terminal strip, 4gang	59	43 g	1.74.11094
E-trunking terminal strip, 5gang	69	50 g	1.74.11095

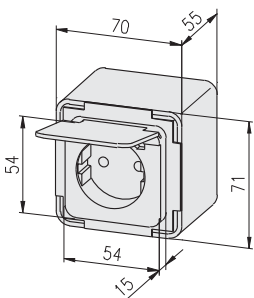
Socket



Description	Weight	Article-No.
Socket	150 g	1.74.2201

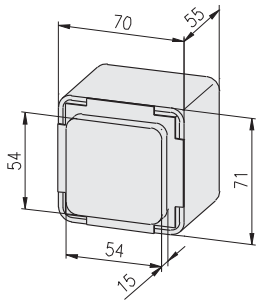
Single parts		
Socket insert	76 g	1.74.2201/01
Socket box, black	68 g	1.74.2xxx/01
Mains cable cleat	6 g	1.74.2xxx/02

Socket with hinged cover



Description	Weight	Article-No.
Socket with hinged cover	163 g	1.74.2202

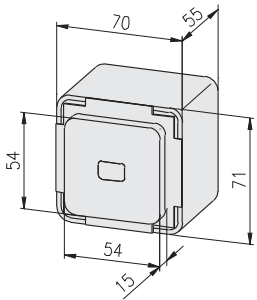
Single parts		
Socket with hinged cover	90 g	1.74.2202/01
Socket box, black	67 g	1.74.2xxx/01
Mains cable cleat	6 g	1.74.2xxx/02

Rocker switch


Description	Weight	Article-No.
Rocker switch	137 g	1.74.2301

Single parts

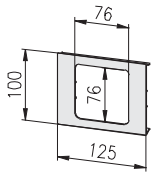
Rocker switch insert	46 g	1.74.2301/01
Rocker for switch	18 g	1.74.2301/02
Socket box, black	67 g	1.74.2xxx/01
Mains cable cleat	6 g	1.74.2xxx/02

Rocker control switch


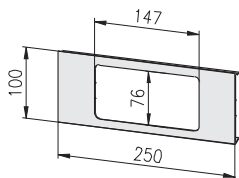
Description	Weight	Article-No.
Rocker control switch	154 g	1.74.2302

Single parts

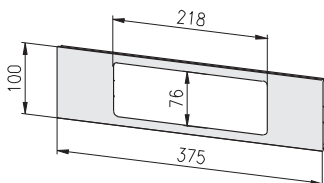
Rocker control switch insert	57 g	1.74.2302/01
Rocker for control switch	24 g	1.74.2302/02
Socket box, black	67 g	1.74.2xxx/01
Mains cable cleat	6 g	1.74.2xxx/02

Pre-cut lid, 1gang


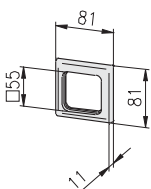
Description	Weight	Article-No.
Pre-cut lid, Alu, 1gang	82 g	1.74.3111
Pre-cut lid, PVC, 1gang, light grey	28 g	1.74.3121

Pre-cut lid, 2gang


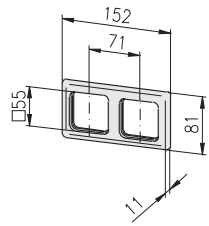
Description	Weight	Article-No.
Pre-cut lid, Alu, 2gang	83 g	1.74.3112
Pre-cut lid, PVC, 2gang, light grey	59 g	1.74.3122

Pre-cut lid, 3gang


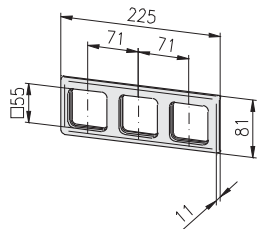
Description	Weight	Article-No.
Pre-cut lid, Alu, 3gang	113 g	1.74.3113
Pre-cut lid, PVC, 3gang, light grey	88 g	1.74.3123

Cover frame, 1gang


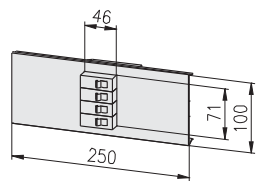
Description	Weight	Article-No.
Cover frame, 1gang	21 g	1.74.4111

Cover frame, 2gang


Description	Weight	Article-No.
Cover frame, 2gang	39 g	1.74.4112

Cover frame, 3gang


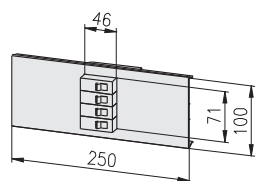
Description	Weight	Article-No.
Cover frame, 3gang	58 g	1.74.4113

Miniature circuit breaker 10 A


Description	Pcs.	Weight	Article-No.
Miniature circuit breaker, 10 A, 4gang	1	763 g	1.74.5110

Single parts

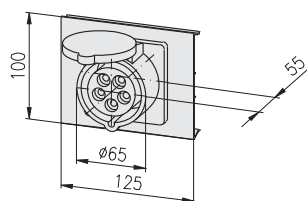
Miniature circuit breaker, flat, unipolar, 10 A	4	100 g	1.74.5110/01
Circuit breaker mounting box, 4gang	1	230 g	1.74.51xx/02
Pre-cut lid, Alu	1	133 g	1.74.51xx/03

Miniature circuit breaker 16 A


Description	Pcs.	Weight	Article-No.
Miniature circuit breaker, 16 A, 4gang	1	763 g	1.74.5116

Single parts

Miniature circuit breaker, flat, unipolar, 16 A	4	100 g	1.74.5116/01
Circuit breaker mounting box, 4gang	1	230 g	1.74.51xx/02
Pre-cut lid, Alu	1	133 g	1.74.51xx/03

CEE heavy-power socket 16 A


Description	Pcs.	Weight	Article-No.
CEE heavy-power socket 16 A	1	915 g	1.74.6116

Single parts

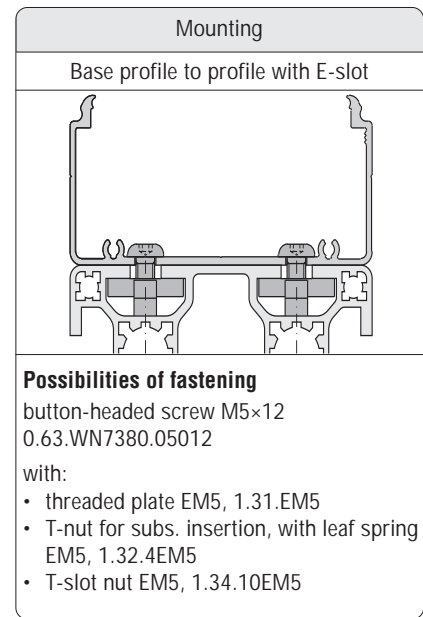
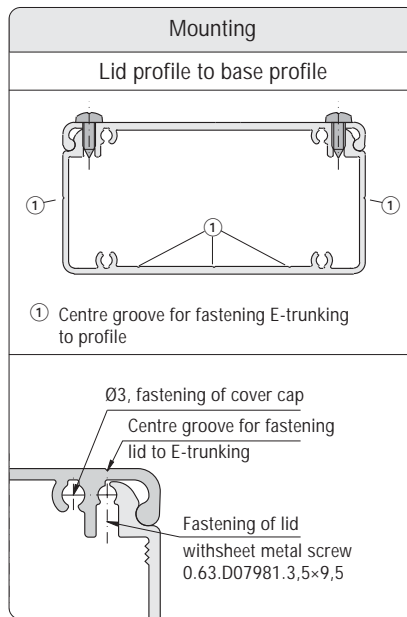
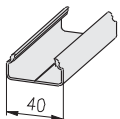
CEE heavy-power socket with lid, 16 A	1	645 g	1.74.6116/01
CEE socket box	1	225 g	1.74.61xx/02
CEE pre-cut lid, Alu	1	45 g	1.74.61xx/03

Electrical installation trunking

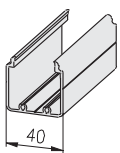

Application

Installation trunking for electrical and pneumatic lines

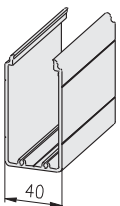
Technical data

 material: aluminium
 surface: natural anodised

E-trunking Alu


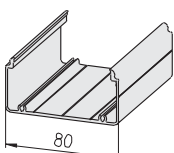
Description	Weight	Article-No.
E-trunking Alu 40x20, bar 6 m	1.80 kg	1.19.204020G.60
E-trunking Alu 40x20, cut to length	0.30 kg/m	1.19.204020G-A00A00/... /... = length in mm



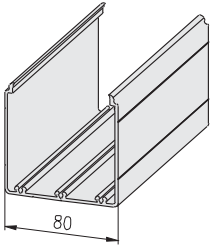
Description	Weight	Article-No.
E-trunking Alu 40x40, bar 6 m	3.66 kg	1.19.204040G.60
E-trunking Alu 40x40, cut to length	0.61 kg/m	1.19.204040G-A00A00/... /... = length in mm



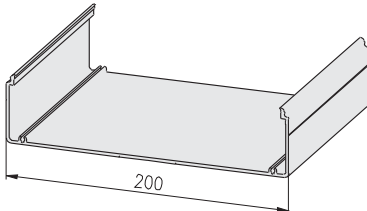
Description	Weight	Article-No.
E-trunking Alu 40x80, bar 6 m	7.20 kg	1.19.204080G.60
E-trunking Alu 40x80, cut to length	1.20 kg/m	1.19.204080G-F00F00/... /... = length in mm



Description	Weight	Article-No.
E-trunking Alu 80x40, bar 6 m	5.10 kg	1.19.208040G.60
E-trunking Alu 80x40, cut to length	0.85 kg/m	1.19.208040G-F00F00/... /... = length in mm

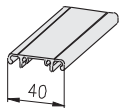


Description	Weight	Article-No.
E-trunking Alu 80×80, bar 6 m	9.30 kg	1.19.208080G.60
 E-trunking Alu 80×80, cut to length	1.55 kg/m	1.19.208080G-F00F00/... /... = length in mm

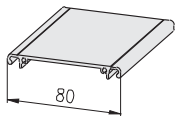


Description	Weight	Article-No.
E-trunking Alu 200×50, bar 6 m	12.00 kg	1.19.220050G.60
 E-trunking Alu 200×50, cut to length	2.0 kg/m	1.19.220050G-L00L00/... /... = length in mm

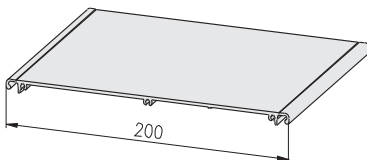
E-trunking Alu, lids



Description	Weight	Article-No.
E-trunking Alu, lid 40, bar 6 m	2.10 kg	1.19.2040D.60
 E-trunking Alu, lid 40, cut to length	0.35 kg/m	1.19.2040D-A00A00/... /... = length in mm

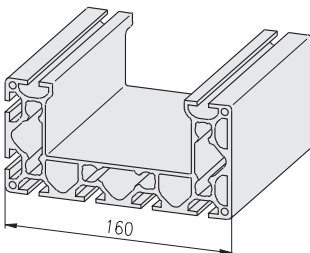


Description	Weight	Article-No.
E-trunking Alu, lid 80, bar 6 m	3.54 kg	1.19.2080D.60
 E-trunking Alu, lid 80, cut to length	0.59 kg/m	1.19.2080D-F00F00/... /... = length in mm



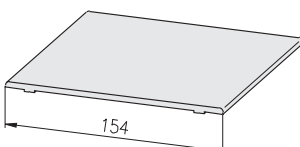
Description	Weight	Article-No.
E-trunking Alu, lid 200, bar 6 m	9.00 kg	1.19.2200D.60
 E-trunking Alu, lid 200, cut to length	1.50 kg/m	1.19.2200D-L00L00/... /... = length in mm

E-trunking Alu

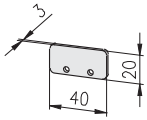


Description	Weight	Article-No.
Profile 80×160, 8E, SP, bar 6 m	47.40 kg	1.11.080160.89SP.60
 Profile 80×160, 8E, SP, cut to length	7.90 kg/m	1.11.080160.89SP-L00L00/... /... = length in mm

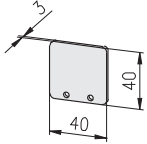
E-trunking Alu, lid



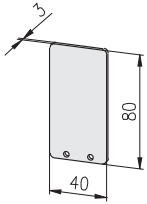
Description	Weight	Article-No.
Profile pre-cut lid 120, bar 6 m	10.80 kg	1.19.1101120.60
 Profile pre-cut lid 120, cut to length	1.80 kg/m	1.19.1101120-L00L00/... /... = length in mm

E-trunking Alu, end plates


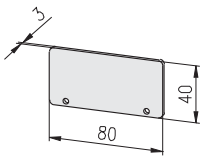
Description	Weight	Article-No.
E-trunking Alu, end plate 40x20	6.0 g	1.75.2040202



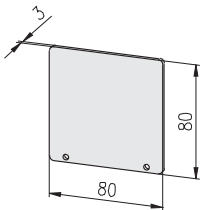
Description	Weight	Article-No.
E-trunking Alu, end plate 40x40	12.3 g	1.75.2040402



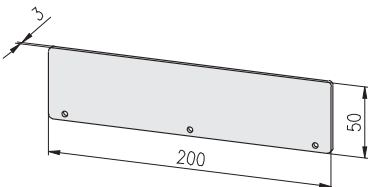
Description	Weight	Article-No.
E-trunking Alu, end plate 40x80	25.0 g	1.75.2040802



Description	Weight	Article-No.
E-trunking Alu, end plate 80x40	25.0 g	1.75.2080402

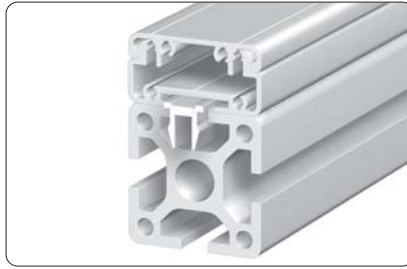


Description	Weight	Article-No.
E-trunking Alu, end plate 80x80	48.0 g	1.75.2080802



Description	Weight	Article-No.
E-trunking Alu, end plate 200x50	80.7 g	1.75.2200503

Electrical installation trunking for clips

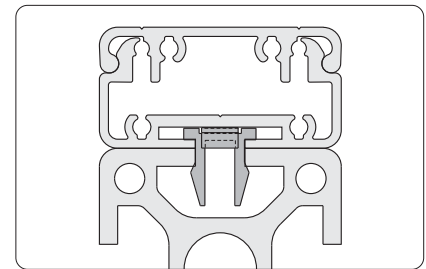
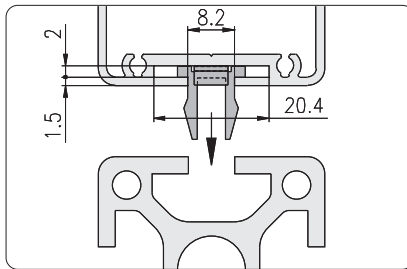


Application

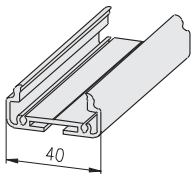
Clip-system for quick assembly of the E-trunking


Technical data

material: aluminium
surface: natural anodised

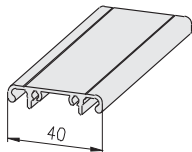


E-trunking Alu, for clips



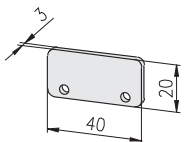
Description	Weight	Article-No.
E-trunking Alu 40x20, Clips, bar 6 m	3.00 kg	1.19.214020G.60
 E-trunking Alu 40x20, Clips, cut to length	0.50 kg/m	1.19.214020G-A00A00/... /... = length in mm

E-trunking Alu, lid



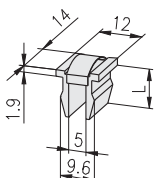
Description	Weight	Article-No.
E-trunking Alu, lid 40, bar 6 m	2.10 kg	1.19.2040D.60
 E-trunking Alu, lid 40, cut to length	0.35 kg/m	1.19.2040D-A00A00/... /... = length in mm

E-trunking Alu, end plate



Description	Weight	Article-No.
E-trunking Alu, end plate 40x20, Clips	6.0 g	1.75.2140202

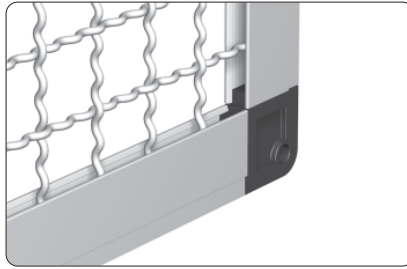
Clip for E-trunking Alu



Technical data
material: Murytal C
colour: natural

Description	L	Weight	Article-No.
Clip E3	11	3.0 g	1.75.1000E3
Clip E4	12	3.0 g	1.75.1000E4

**Corner elements
for wire net mounting profile**

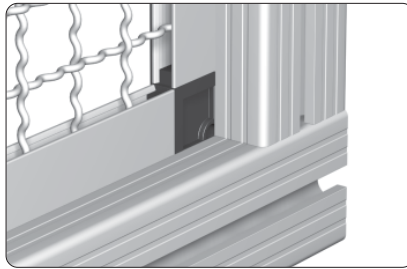


Application

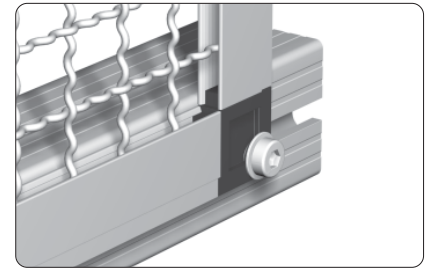
This mounting profile allows simple and safe installation of screens

Comments

Wire net mounting profile ↗ 1.19.1423...



Mounting in the profile slot

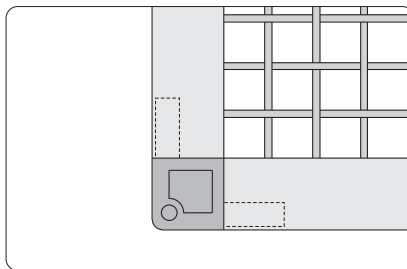
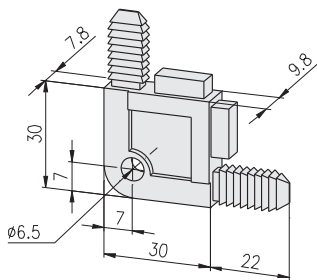


Fastening from the outside

Technical data

material: PA - GF
colour: black

Outside corner



Outside corner

Description

Corner element - outside

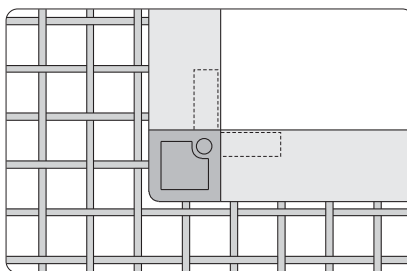
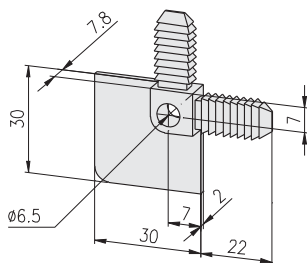
Weight

13 g

Article-No.

1.81.1010

Inside corner



Inside corner

Description

Corner element - inside

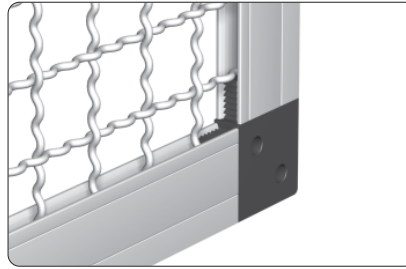
Weight

6 g

Article-No.

1.81.1020

**Corner element 33
for wire net mounting profile 33x10**

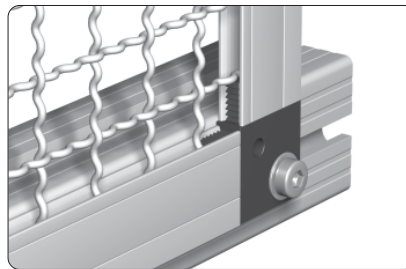


Application

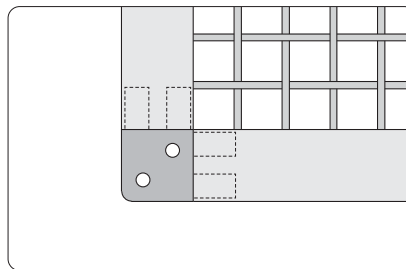
This profile allows simple and safe installation of wire nets

Comments

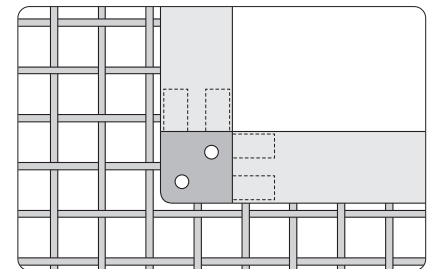
Wire net mounting profile 33x10
➔ 1.19.1423...



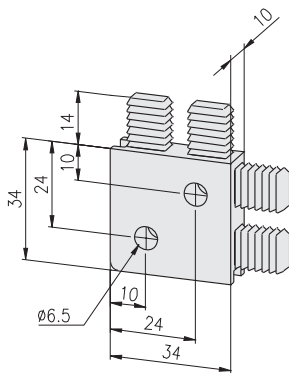
Outside mounting



Outside corner



Inside corner



Technical data

material: PA - GF
colour: black

Description

Corner element 33

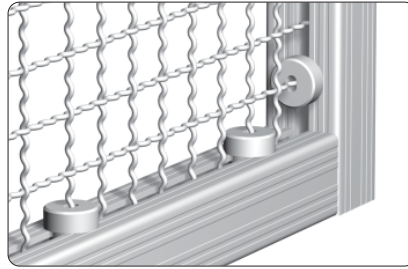
Weight

16 g

Article-No.

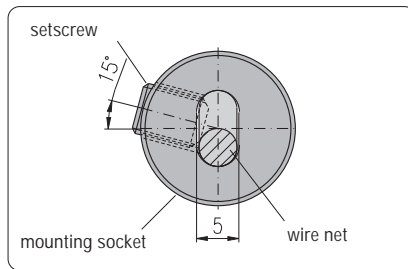
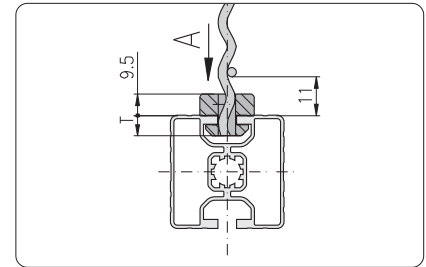
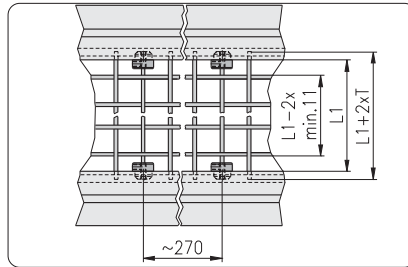
1.81.23310

Mounting sockets



Application

For stable and vibration free fastening of wire nets



View "A"

Assembly

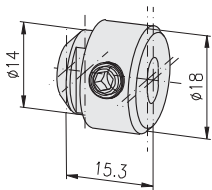
- plug terminal sockets at a distance of about 270 mm on the wire net
- push on profile
- rotate mounting sockets with headless setscrew DIN 913 M6×8 at an angle of 15°

Technical data

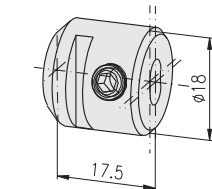
material:
 mounting socket: aluminium, natural anodised
 setscrew: steel, galvanised

Delivery unit

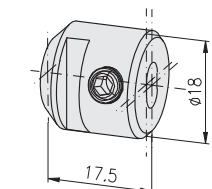
Mounting socket incl. setscrew



H F E



H F E3



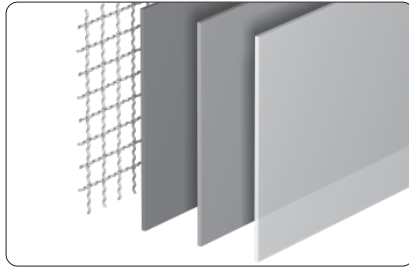
H F E4

Description	T	Weight	Article-No.
Mounting socket, F	5	6 g	1.81.510F

Description	T	Weight	Article-No.
Mounting socket, E3	9	6 g	1.81.510E3

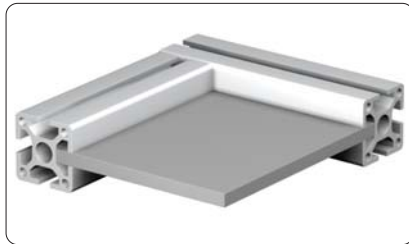
Description	T	Weight	Article-No.
Mounting socket, E4	10	6 g	1.81.510E4

Panel elements

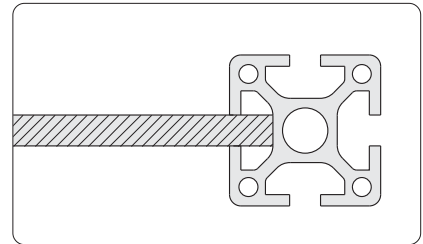


Application

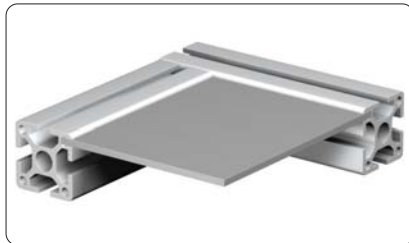
Panel elements to cover machine frames, work stations, partition walls.



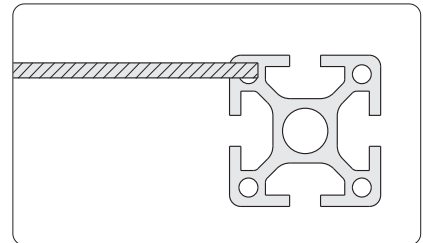
Panel element, fixing directly in the slot



Installation accessories ↗ 1.41



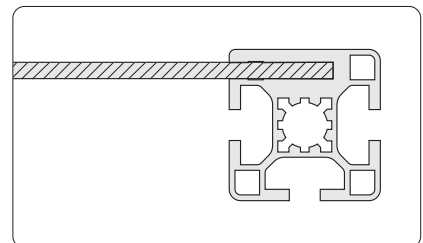
Panel elements close to the outer contour by subsequent slitting of the profiles



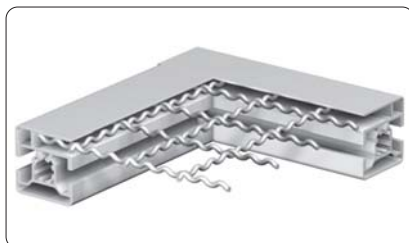
Special slits ↗ 1.1E.01



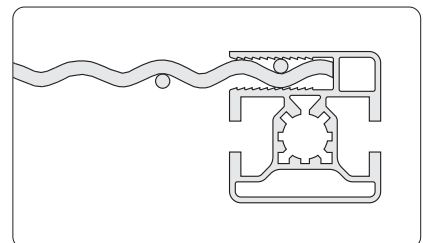
Panel elements close to the outer contour by applying panel profiles



Panel profiles ↗ 1.14



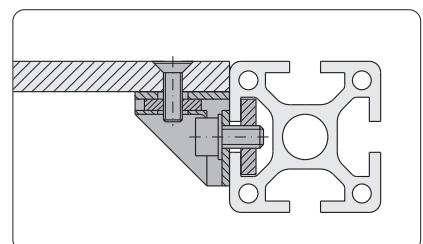
Panel elements close to the outer contour by applying wire net profiles



Wire net profiles ↗ 1.15



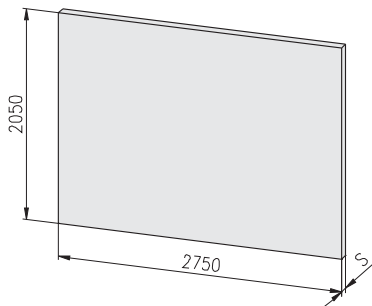
Panel elements close to the outer contour by fixing with angle or mounting block



Mounting blocks ↗ 1.64

Chipboards
both sides coated with melamine

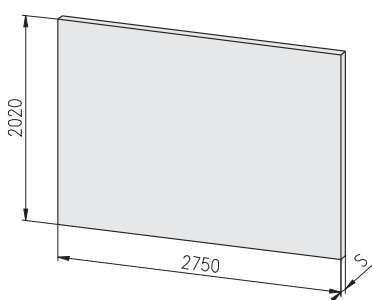
Technical data	
surface:	both sides coated with melamine
structure:	pearl
RAL 9002:	grey-white
formaldehydemission:	complies to safety standards §9 paragraph 3
light-fastness:	point 6 as per DIN 53799
temperature resistance:	- 25°C to 130°C
chemical resistance:	resistant against organic food, light acid contents and alkaline solution, gasoline, oil, tested as per DIN 53799
chipboard:	high frequency glued laminated chipboard
Technical values on DIN 68765 and 53799	
bulk density:	approx. 700 kg/m ³
thickness tolerance:	+0.5 -0.3 mm
weight:	S = 8 mm 5.6 kg/m ² S = 16 mm 11.2 kg/m ² S = 19 mm 13.3 kg/m ²
cut to length:	1.82.□□□-99/□□□□×□□□□ 1.82.□□□-99/□□□□×□□□□ type 1.82.□□□-99/□□□□×□□□□ length×width in mm



Description	S	RAL	Weight	Article-No.
Chipboard	8	9002	32 kg	1.82.083.00
Chipboard	16	9002	64 kg	1.82.163.00
Chipboard	19	9002	75 kg	1.82.193.00

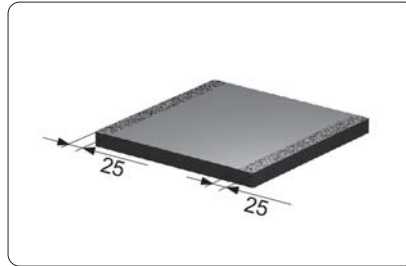
**Solid plastic panels
coated with melamine**

Technical data	
surface:	both sides coated with melamine
structure:	pearl
RAL 9002:	grey-white
solid plastic panel:	made of Phenolplastic high pressure plate (HPL) of laminated material with all generally known merits of this substance.
Technical values on DIN 19926 and 53799	
bulk density:	approx. 1,500 kg/m ³
thickness tolerance:	-0.6 mm
weight:	S = 4 mm 6 kg/m ² S = 8 mm 12 kg/m ²
cut to length:	1.83.□□□-99/□□□□×□□□□ 1.83.□□□-99/□□□□×□□□□ type 1.83.□□□-99/□□□□×□□□□ length×width in mm



Description	S	RAL	Weight	Article-No.
Solid plastic panel	4	9002	33 kg	1.83.043.00
Solid plastic panel	8	9002	66 kg	1.83.083.00

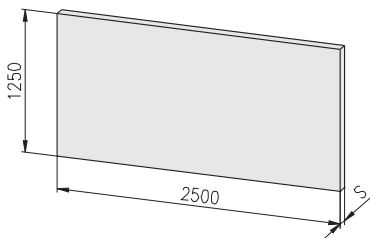
Alu-plastic composite panels



Comments

The anodised composite panels have contact strips of 25 mm width on the short sides.

Technical data	
alu-plastic composite panel:	PE with alu coating on both sides
surface:	natural anodised, E6/EV1
temperature resistance:	- 50°C to 80°C
chemical resistance:	resistant against organic food, light acid contents and alkaline solutions, gasoline, oil
thickness tolerance:	-0.6 mm
weight:	S = 4 mm 5.5 kg/m ² S = 6 mm 7.3 kg/m ²
cut to length:	1.85.□□□-99/□□□□×□□□□ 1.85.□□□-99/□□□□×□□□□ type 1.85.□□□-99/□□□□×□□□□ length×width in mm



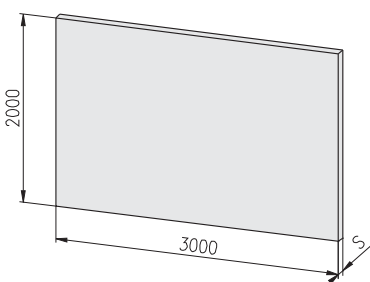
Description	S	Weight	Article-No.
Alu-plastic composite panel	4	17.2 kg	1.85.040.00
Alu-plastic composite panel	6	22.8 kg	1.85.060.00

Acrylic

Application

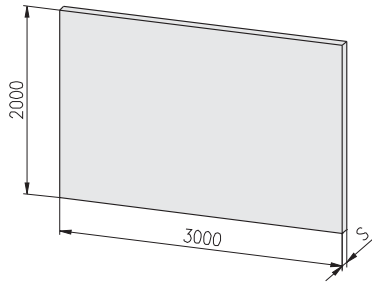
Doors, panels and guards

Technical data	
thickness tolerance:	± 5%
weight:	S = 4 mm 4.8 kg/m ² S = 6 mm 7.2 kg/m ² S = 8 mm 9.6 kg/m ²
cut to length:	1.86.□□□-99/□□□□×□□□□ 1.86.□□□-99/□□□□×□□□□ type 1.86.□□□-99/□□□□×□□□□ length×width in mm



Description	S	Colour	Weight	Article-No.
Acrylic xt	4	transparent	28.8 kg	1.86.041.00
Acrylic xt	4	bronze 802	28.8 kg	1.86.042.00
Acrylic xt	6	transparent	43.2 kg	1.86.061.00
Acrylic xt	6	bronze 802	43.2 kg	1.86.062.00
Acrylic xt	8	transparent	57.6 kg	1.86.081.00
Acrylic xt	8	bronze 802	57.6 kg	1.86.082.00

Polycarbonate (Makrolon)



Application

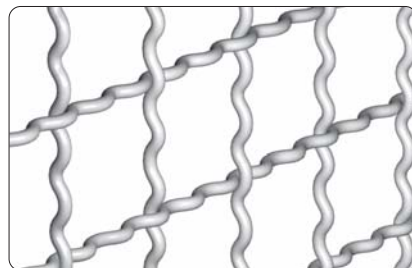
Doors, panels and guards with stringent security requirements as polycarbonate offers high impact resistance and strength against breakage

Technical data	
thickness tolerance:	+0.8 mm
weight:	S = 4 mm 4.8 kg/m ² S = 6 mm 7.2 kg/m ² S = 8 mm 9.6 kg/m ²
cut to length:	1.87.□□□-99/□□□□×□□□□ 1.87.□□□-99/□□□□×□□□□ type 1.87.□□□-99/□□□□×□□□□ length×width in mm

Description	S	Colour	Weight	Article-No.
Polycarbonate	4	transparent	28.8 kg	1.87.041.00
Polycarbonate	4	bronze 885	28.8 kg	1.87.042.00
Polycarbonate	6	transparent	43.2 kg	1.87.061.00
Polycarbonate	6	bronze 885	43.2 kg	1.87.062.00
Polycarbonate	8	transparent	57.6 kg	1.87.081.00
Polycarbonate	8	bronze 885	57.6 kg	1.87.082.00

Properties		Acrylic xt	Poly- carbonate
Mechanical properties			
	20°C		
maximum extent of flex	MN/m ²	107.9	68.7
break / shear point	%	5.5	> 110.0
compression	MN/m ²	117.7	78.5
elasticity	MN/m ²	3,188.0	2,256.0
marring resistance	J/m ²	29.4	392.4
impact resistance	kJ/m ²	19.6	no break
tensile strength	MN/m ²	73.6	68.7
Thermal properties			
temperature distortion according to 'Vicat'	°C	110	170
melting point	°C	168	170
temperature range under static load (max.)	°C	70	130
temperature range under static load (min.)	°C	-40	-100

Wire net, Alu



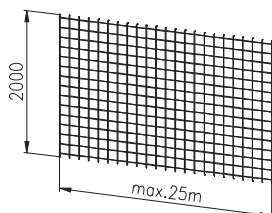
Application

For protective coverings and partition walls

Comments

Mounting in the profile:

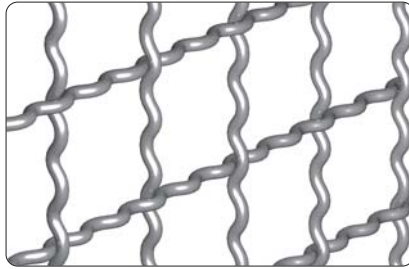
- with sponge rubber ↗ 1.41.6□□
- with wire net m. prof. ↗ 1.19.1423..
- with wedge profile ↗ 1.41.51E□.□
- with framing profile ↗ 1.41.710.□
- with mounting sockets ↗ 1.81.510□□



Technical data	
material:	Aluminium
surface:	bare
weight:	3×20×20 mm 1.85 kg/m ² 4×30×30 mm 2.25 kg/m ²
length of ring:	25 m
cut to length:	1.88.□□□-99/□□□□×□□□□ 1.88.□□□-99/□□□□×□□□□ type 1.88.□□□-99/□□□□×□□□□ length×width in mm

Description	Weight	Article-No.
Wire net, Alu 3×20×20	92.5 kg	1.88.322.00
Wire net, Alu 4×30×30	112.5 kg	1.88.433.00

Wire net, steel



Application

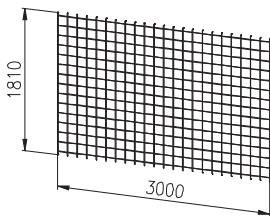
For protective coverings and partition walls

Comments

Mounting in the profile:

- with sponge rubber ↗ 1.41.6□□
- with wire net m. prof. ↗ 1.19.1423...
- with wedge profile ↗ 1.41.51E□□
- with framing profile ↗ 1.41.710.□
- with mounting sockets ↗ 1.81.510□□

Technical data	
material:	steel
surface:	galvanised
weight:	4×30×30 mm 27 kg/plate 4×40×40 mm 24 kg/plate
size of plate:	3,000×1,810 mm
cut to length:	1.88.□□□-99/□□□□×□□□□ 1.88.□□□-99/□□□□×□□□□ type 1.88.□□□-99/□□□□×□□□□ length×width in mm



Description	Weight	Article-No.
Wire net, steel 4×30×30	27 kg	1.88.143030.00
Wire net, steel 4×40×40	24 kg	1.88.144040.00

Grid, steel welded



Application

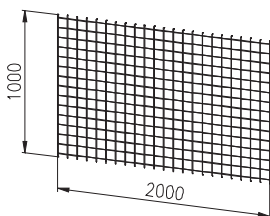
For protective coverings and partition walls

Comments

Mounting in the profile:

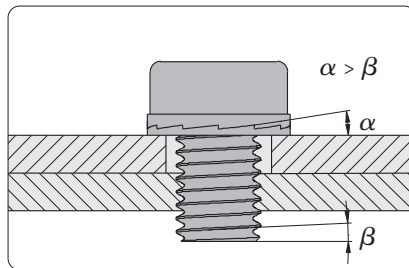
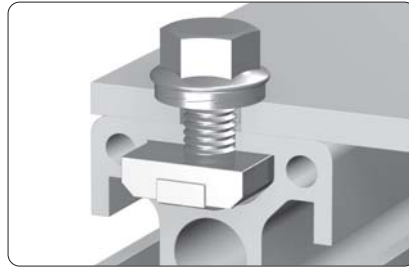
- with sponge rubber ↗ 1.41.6□□
- with wire net m. prof. ↗ 1.19.1423...
- with wedge profile ↗ 1.41.51E□□
- with framing profile ↗ 1.41.710.□
- with mounting sockets ↗ 1.81.510□□

Technical data	
material:	steel
surface:	electrogalvanised
weight:	3×25×25 mm 8.9 kg/plate 4×40×40 mm 9.8 kg/plate
size of plate:	2,000×1,000 mm
cut to length:	1.88.□□□-99/□□□□×□□□□ 1.88.□□□-99/□□□□×□□□□ type 1.88.□□□-99/□□□□×□□□□ length×width in mm



Description	Weight	Article-No.
Grid, steel 3×25×25	8.9 kg	1.88.232525.00
Grid, steel 4×40×40	9.8 kg	1.88.244040.00

Self locking washers
DIN 25201

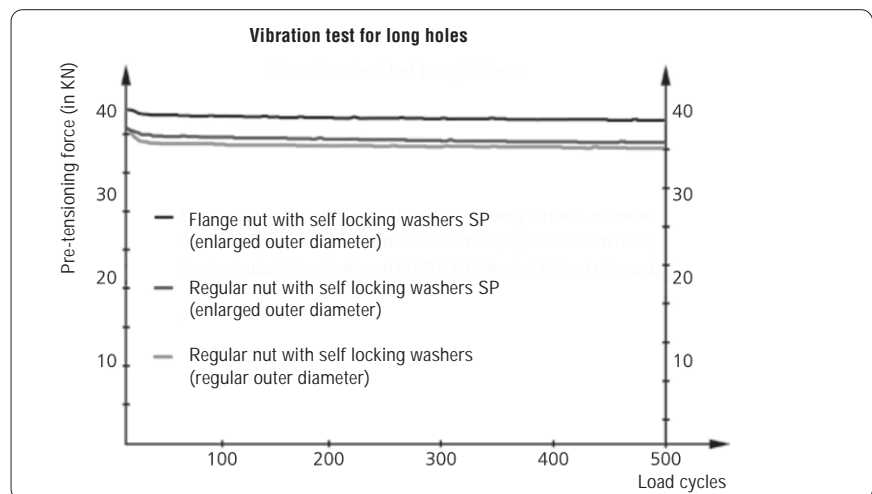


The cam angle α of the washers is larger than the thread pitch β of the bolt.

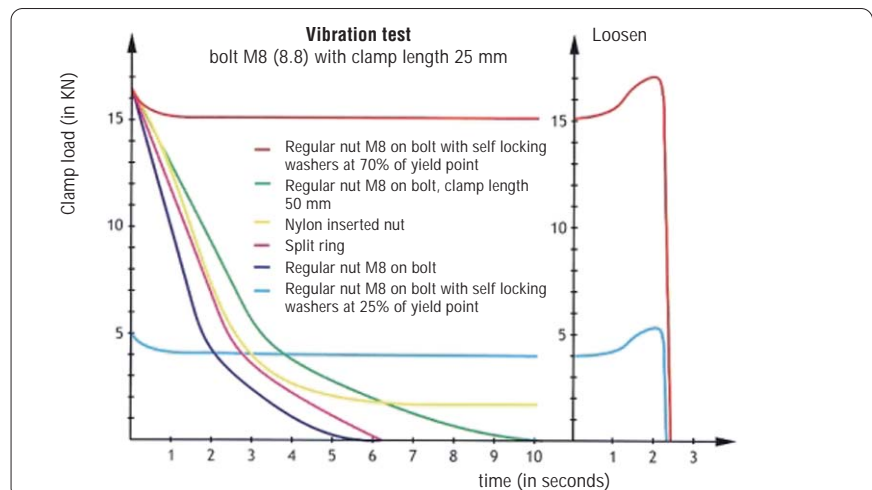
Advantages

- Maximum safety during the tightening of the screw
- Reliable connection under extreme vibration and dynamic loads
- Ease of assembly and disassembly
- Positive locking at low and high preload levels
- Same temperature characteristics as standard nut & bolt
- Surface protection
- Reusable

The outside dimensions of the locking washer guarantees it's effectiveness even when used in countersunk holes. Washers with enlarged outer diameter (SP) in combination with flanged nuts / bolts are recommended for use on large / long holes, painted surfaces or soft materials, e.g. aluminium.

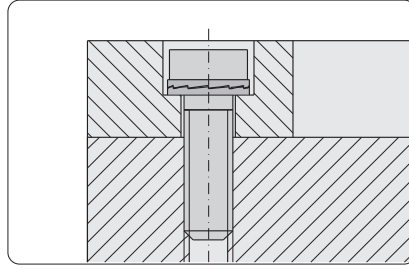


Junker vibration test for bolt M12 (8.8)



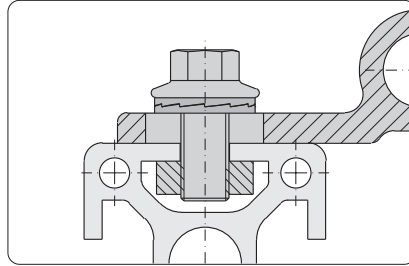
Test results

Self locking washers standard

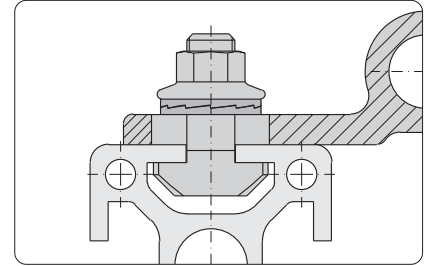


Cylindrical head screw DIN 6912 with self locking washers, standard

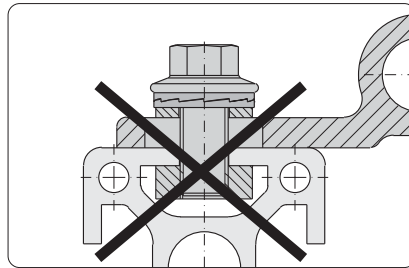
Self locking washers SP (enlarged outer diameter)



Hexagonal flange head screw DIN 6912 and self locking washers SP



T-screw with flange nut DIN 6923 and self locking washers SP

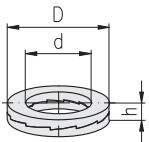


Do not use washers that are not secured in position

Technical data

material:

- steel: Zinc flake coated, pre-assembled in pairs (glued)
- stainless steel: 1.4404, pre-assembled in pairs (glued)



Description	D	h	d	Weight	Article-No.
Standard / steel					
Self locking washers, M6	10.8	1.8	6.5	0.7 g	0.62.D2520106
Self locking washers, M8	13.5	2.5	8.7	1.5 g	0.62.D2520108
Self locking washers, M10	16.6	2.5	10.7	2.3 g	0.62.D2520110
Standard / stainless steel					
C R Self locking washers, M6, SS	10.8	2.2	6.5	0.9 g	0.62.D2520106SS
C R Self locking washers, M8, SS	13.5	2.2	8.7	1.2 g	0.62.D2520108SS
C R Self locking washers, M10, SS	16.6	2.2	10.7	1.6 g	0.62.D2520110SS
SP / steel					
Self locking washers, M6, SP	13.5	2.5	6.5	2.0 g	0.62.D2520106SP
Self locking washers, M8, SP	16.6	2.5	8.7	2.9 g	0.62.D2520108SP
Self locking washers, M10, SP	21.0	2.5	10.7	4.4 g	0.62.D2520110SP
SP / stainless steel					
C R Self locking washers, M6, SPSS	13.5	2.2	6.5	1.6 g	0.62.D2520106SPSS
C R Self locking washers, M8, SPSS	16.6	2.2	8.7	2.4 g	0.62.D2520108SPSS
C R Self locking washers, M10, SPSS	21.0	2.2	10.7	3.7 g	0.62.D2520110SPSS

Button head screws

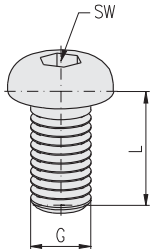


Application

Button head screws for the mounting of additional elements

Technical data

material: steel
surface: galvanised

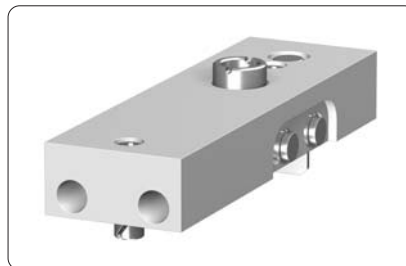


Description	G×L	Weight	Article-No.
Button head screw	M5×12	2.4 g	0.63.WN7380.05012
Button head screw	M8×12	6.5 g	0.63.WN7380.08012
Button head screw	M8×18	8.5 g	0.63.WN7380.08018
Button head screw	M8×30	12.6 g	0.63.WN7380.08030

Tools

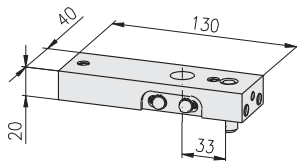
1.98

Press in device for knurled cross bushing



Technical data

Base body:
 • material: aluminium
 • surface: natural anodised
 Axle bolt, spring:
 • material: stainless steel
 Other:
 • material: steel
 • surface: galvanised



Description	Weight	Article-No.
Press in device for knurled cross bushing	310.0 g	1.98.11.21.B00R

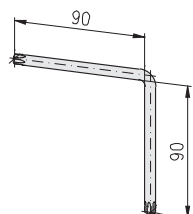
Single parts	Pcs	Weight	Article-No.
Base body	1	216.0 g	1.98.11.21.B00R/01
Stopping pin	1	21.2 g	1.99.01112-05
Set screw for stop pin	1	1.8 g	1.99.01112-06
Dowel pin ISO 8752 (DIN 1481), 8×24 (for drill jig)	2	6.5 g	0.69.I08752.08024
Axle bolt complete, Ø8g 6×35 mm	2	15.6 g	1.98.11.21.B00R/05
Hex-socket set screw, DIN 913, M8×25	4	6.6 g	0.63.D00913.08025
Spring for T-screw, E	4	0.1 g	1.34.E00/02

Tx screw driver



Technical data

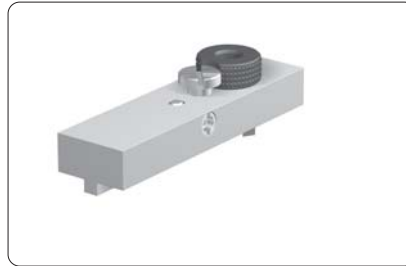
material: steel, hardened
surface: nickel-plated



Description	Weight	Article-No.
Tx screw driver for Torx 40 screws	54.0 g	1.98.T40.090090

Cross bushings / Anchors		Drill									Milling cutter								
		MK		cylindrical shaft							cylindrical shaft								
		1.99.03115452	1.99.03115454	1.99.0310800	1.99.0310645	1.99.03109000	1.99.03109452	1.99.0311245	1.99.03215452	1.99.03215454	1.99.0210645	1.99.02109000	1.99.02109452	1.99.02112451	1.99.02115000	1.99.02115452	1.99.02115454		
drill-Ø	chaf. ×45°	shaft-Ø	15.25	15.25	6/8.5	6.2	9.2	9.2	12.2	15.25	15.25	6.2	9.2	9.2	12.2	15.25	15.25	15.25	
Slot	Description		1.5	3.5	-	2.0	-	1.5	2.0	1.5	3.5	2.0	-	1.5	1.0	-	1.5	3.5	
			MK	MK	8.5	6.2	9.2	9.2	12.2	12.0	12.0	10.0	10.0	10.0	12.0	16.0	16.0	16.0	
Cross bushing																			
H F E	Standard						●						●						
H F E	for profile 20×20, soft							●						●					
H F E	Standard		●								●						●	●	
H F E	for profile • 30×30, soft • 30×100 • 30×150			●										●					●
H F E	for profile 40×40, 2E 45°, LP			●										●					●
H F E	for ST-Connector, profile 30×150		●	●								●	●					●	●
H F E	for SE-Connector																	●	
H F E	for ST-Connector		●															●	●
H F E	for ST-Connector with anchor, screw-type															●			
Anchor																			
H F E	for connector, parallel						●							●					
H F E	for connector, parallel										●					●			
H F E	for connector, miter, hinge				●														

**Drill jigs
for profiles with H-slots**



Drill jig with setscrew

Application

- Tools for precise machining of connection bore
- for drilling machine: - drill jig
- drill
 - for milling machine: - milling cutter
 - the drill jig is located and fastened in the profile slot
 - suitable for any profile angle cut

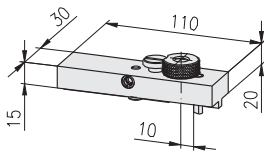


Drill jig with clamping lever

Technical data

- Base body:
- material: aluminium
 - surface: natural anodised
- Drill bush:
- material: steel
 - surface: hardened and polished

**Drill jig
with setscrew**

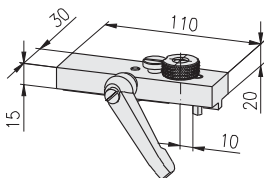


Description	Weight	Article-No.
Drill jig H with setscrew	189 g	1.99.01011
Single parts		
Weight	Article-No.	
Base body	120 g	1.99.01012-01
Drill bush for cross bushing, Ø9.2	50 g	1.99.01012-03
Safety screw for drill bush, M6×4	6 g	1.99.01012-04
Stop pin	2 g	1.99.01012-05
Connector	11 g	1.20.3/2H5

Accessories

Drill bush for parallel-anchor, Ø6.2	43 g	1.99.01012-02
--------------------------------------	------	---------------

**Drill jig
with clamping lever**

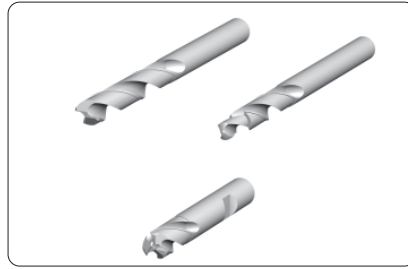


Description	Weight	Article-No.
Drill jig H with clamping lever	225 g	1.99.01012
Single parts		
Weight	Article-No.	
Base body	120 g	1.99.01012-01
Drill bush for cross bushing, Ø9.2	50 g	1.99.01012-03
Safety screw for drill bush, M6×4	6 g	1.99.01012-04
Stop pin	2 g	1.99.01012-05
Connector	11 g	1.20.3/2H5
Clamping lever 65, for connector, M6×20	36 g	1.29.650620

Accessories

Drill bush for parallel-anchor, Ø6.2	43 g	1.99.01012-02
--------------------------------------	------	---------------

Tools
for profiles with H-slots



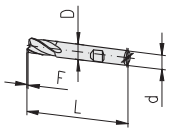
Drill, Milling cutter

Comments

Selection range ↗ 339

Milling cutter

- for • parallel-anchor
- cross bushing



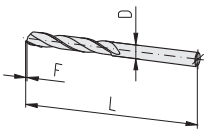
Technical data

material: HSS
3 cutting edges
cutting geometry for aluminium machining
off-centre cutting edges

Description	D	L	F	d	Weight	Article-No.
Milling cutter f. par.-anchor	Ø6.2	60	2.0×45°	8	13 g	1.99.0210645
Milling cutter f. cross bush.	Ø9.2	70	without	10	34 g	1.99.0210900
Milling cutter f. cross bush.	Ø9.2	70	1.5×45°	10	34 g	1.99.02109452

Drill

- for • parallel-anchor
- cross bushing



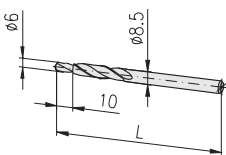
Technical data

material: HSS
2 cutting edges
cutting geometry for aluminium machining
off-centre cutting edges

Description	D	L	F	Weight	Article-No.
Drill for parallel-anchor	Ø6.2	100	2.0×45°	16 g	1.99.0310645
Drill for cross bushing	Ø9.2	120	without	43 g	1.99.03109000
Drill for cross bushing	Ø9.2	120	1.5×45°	43 g	1.99.03109452

Drill

for miter anchor



Technical data

material: HSS
2 cutting edges
cutting geometry for aluminium machining

Application

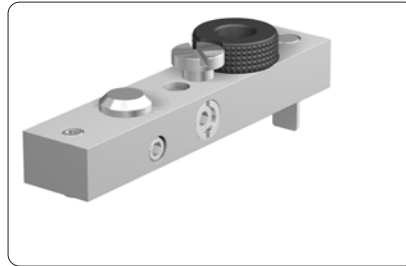
To drill core hole

Comments

Machining instruction ↗ 94, 1.2A

Description	D	L	Weight	Article-No.
Drill for miter anchor	Ø8.5	120	34 g	1.99.0310800

Drill jigs
for profiles with F- and E-slots



Drill jig with setscrew



Drill jig with clamping lever

Application

Tools for precise machining of connection bore

- for drilling machine: - drill jig
- drill
- for milling machine: - milling cutter
- the drill jig is located and fastened in the profile slot
- suitable for any profile angle cut

Technical data

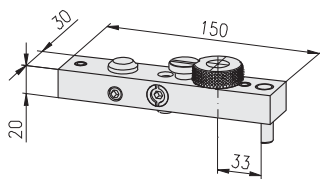
Base body:

- material: aluminium
- surface: natural anodised

Drill bush:

- material: steel
- surface: hardened and polished

Drill jig
with setscrew

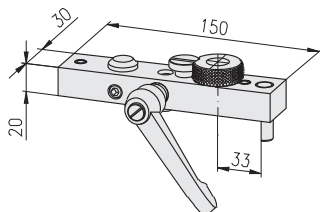


Description	Weight	Article-No.
Drill jig FE with setscrew	375 g	1.99.01111
Single parts		
Base body	188 g	1.99.01112-01
Drill bush for cross bushing, Ø15.25	105 g	1.99.01112-03
Safety screw for drill bush, M8×5.5	11 g	1.99.01112-04
Stop pin	19 g	1.99.01112-05
Setscrew for stop pin	2 g	1.99.01112-06
Connector, parallel-high	30 g	1.21.3/2F5
Anchor	20 g	1.21.A2E5

Accessories

Drill bush for parallel-anchor, Ø12.2	90 g	1.99.01112-02
---------------------------------------	------	---------------

Drill jig
with clamping lever

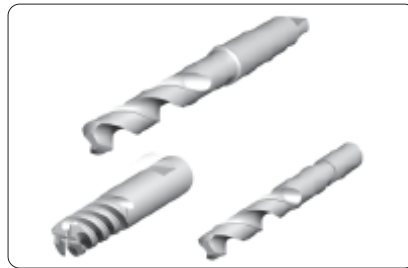


Description	Weight	Article-No.
Drill jig FE with clamping lever	438 g	1.99.01112
Single parts		
Base body	188 g	1.99.01112-01
Drill bush for cross bushing, Ø15.25	105 g	1.99.01112-03
Safety screw for drill bush, M8×5.5	11 g	1.99.01112-04
Stop pin	19 g	1.99.01112-05
Setscrew for stop pin	2 g	1.99.01112-06
Connector, parallel-high	30 g	1.21.3/2F5
Anchor	20 g	1.21.A2E5
Clamping lever 80, for connector, M10×20	63 g	1.29.801020

Accessories

Drill bush for parallel-anchor, Ø12.2	90 g	1.99.01112-02
---------------------------------------	------	---------------

Tools
for profiles with F- and E-slots

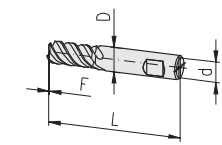


Drill, Milling cutter

Comments
Selection range \rightarrow 339

Milling cutter

- for • parallel-anchor
- cross bushing



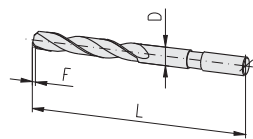
Technical data

material: HSS
4 cutting edges
cutting geometry for aluminium machining
off-centre cutting edges

Description	D	L	F	d	Weight	Article-No.
Milling cutter f. cr. bush. ST, 4	Ø12.2	83	1×45°	Ø12	60 g	1.99.02112451
Milling cutter f. cross bush. SE	Ø15.2	93	without	Ø16	116 g	1.99.02115000
Milling cutter f. cross bush.	Ø15.2	93	1.5×45°	Ø16	116 g	1.99.02115452

Drill

for parallel-anchor



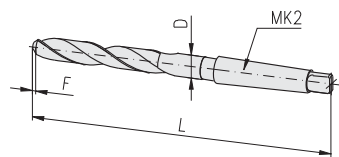
Technical data

material: HSS
2 cutting edges
cutting geometry for aluminium machining
off-centre cutting edges

Description	D	L	F	Weight	Article-No.
Drill for parallel-anchor	Ø12.2	147	2×45°	93 g	1.99.0311245

Drill

for cross bushing



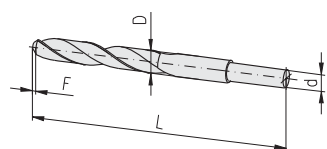
Technical data

material: HSS
2 cutting edges
cutting geometry for aluminium machining
off-centre cutting edges

Description	D	L	F	Weight	Article-No.
Drill for cross bushing, MK2	Ø15.25	210	1.5×45°	224 g	1.99.03115452

Drill

for cross bushing

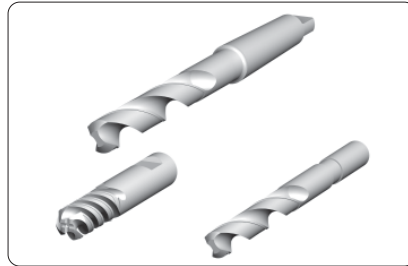


Technical data

material: HSS
2 cutting edges
cutting geometry for aluminium machining
off-centre cutting edges

Description	D	L	F	d	Weight	Article-No.
Drill for cross bushing	Ø15.25	173	1.5×45°	Ø12	197 g	1.99.03215452

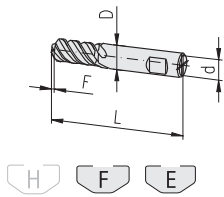
Tools
for profiles with F- and E-slots



Comments
Selection range ↗ 339

Drill, Milling cutter

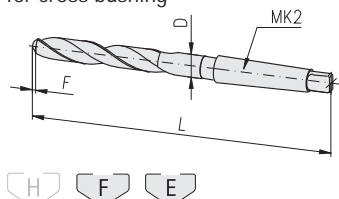
Milling cutter
for cross bushing



Technical data
material: HSS
4 cutting edges
cutting geometry for aluminium machining
off-centre cutting edges

Description	D	L	F	d	Weight	Article-No.
Milling cutter f. cross bush.	Ø15.2	93	4.0×45°	Ø16	116 g	1.99.02115454

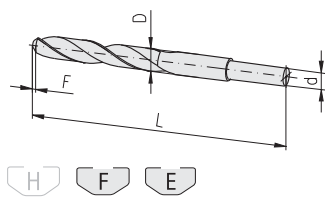
Drill
for cross bushing



Technical data
material: HSS
2 cutting edges
cutting geometry for aluminium machining
off-centre cutting edges

Description	D	L	F	Weight	Article-No.
Drill for cross bushing, MK2	Ø15.25	210	4.0×45°	224 g	1.99.03115454

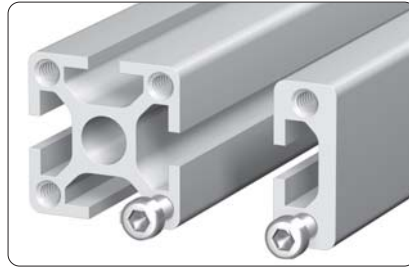
Drill
for cross bushing



Technical data
material: HSS
2 cutting edges
cutting geometry for aluminium machining
off-centre cutting edges

Description	D	L	F	d	Weight	Article-No.
Drill for cross bushing	Ø15.25	173	4.0×45°	Ø12	197 g	1.99.03215454

**Screw taps
for aluminium machining**

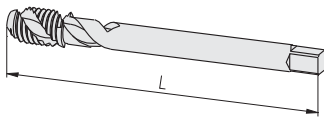


Application

Mounting threads in profile centre core hole
Ø5 mm

Screw tap

M6



16 20 30 40 45 50 60

Technical data

material: HSS/E

machine threading tap:

- right hand cutting, 40° right spiral fluted
- enlarged chip flute
- 3-pitch thread start
- tolerance class: 6H

Description	G	L	Weight	Article-No.
Screw tap	M6	80	45 g	1.99.0406080

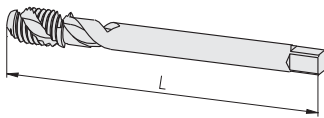


Application

Mounting threads in profile centre core hole
Ø6.2 mm

Screw tap

M8



16 20 30 40 45 50 60

Technical data

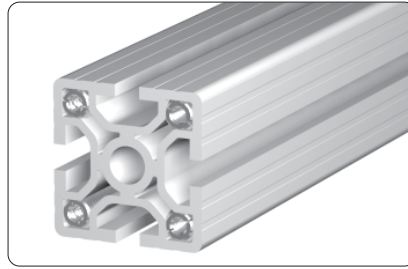
material: HSS/E

machine threading tap:

- right hand cutting, 40° right spiral fluted
- enlarged chip flute
- 3-pitch thread start
- tolerance class: 6H

Description	G	L	Weight	Article-No.
Screw tap	M8	90	52 g	1.99.0408090

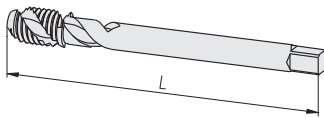
**Screw taps
for aluminium machining**



Application

Fastening thread in hollow chambers of profiles PG 50

**Screw tap
M12**

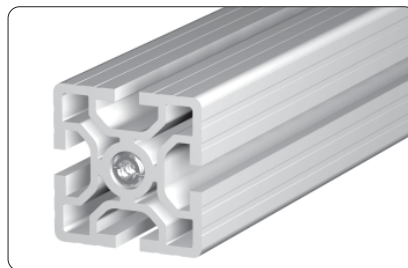


16 20 30 40 45 50 60

Technical data

- material: HSS/E
 machine threading tap:
 • right hand cutting, 40° right spiral fluted
 • enlarged chip flute
 • 2-pitch thread start
 • tolerance class: 6H

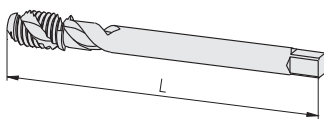
Description	G	L	Weight	Article-No.
Screw tap	M12	110	65 g	1.99.0412110



Application

Mounting threads in profile centre core hole Ø12 mm

**Screw tap
M14**



H F E

Technical data

- material: HSS/E
 machine threading tap:
 • right hand cutting, 40° right spiral fluted
 • enlarged chip flute
 • 2-pitch thread start
 • tolerance class: 6H

Description	G	L	Weight	Article-No.
Screw tap	M14	110	75 g	1.99.0414110
Screw tap	M14	150	105 g	1.99.0414150

19" profiles	57	Base angle	196
A		Base feet	190, 191
Abbreviations	5	Floor mounting sets	190, 194
Accessories	139	Profile mounting sets	195
Acrylic	333	Base plates	213
Additional accessories	140, 234	with thread	214
Adjustable tilt-feet	184	without thread	214
anti-slip discs	188	Base profiles	52
cushion elements	188	Bayonet type connector	119
nuts	187	Bending strength	68
plates	185	Block for cable binder	309
Single parts	184	Bores for parallel-connector	62
spindles	187	Bullet catches	267
Adjustable tilt-foot anti-slip discs	188	PA	268
Adjustable tilt-foot cushion elements	188	Button head screws	338
Adjustable tilt-foot nuts	187	C	
Stainless steel	187	Cable and hose clamp	308
Steel	187	Cable binder	309
Adjustable tilt-foot plates	185	detachable	309
with mounting holes	186	Calculation formulas for polygons	130
without mounting holes	185	Carabine swivel	305
Adjustable tilt-foot plates with mounting holes	186	Castors	197
GD-Zn	186	Fixed castors	197
PA	186	Fixed castors with bolt hole	197
Stainless steel	186	Fixed castors with fitting plate	197
Adjustable tilt-foot plates without mounting holes	185	Locking castors	199
GD-Zn	185	Swivel castors	198
PA	185	Swivel castors lockable	198
Stainless steel	185	Swivel castors lockable with bolt hole	198
Adjustable tilt-foot spindles	187	Swivel castors lockable with fitting plate	198
Stainless steel	187	Swivel castors with bolt hole	198
Steel	187	Swivel castors with fitting plate	198
Alu hinges	251	Threaded bolt for locking castor with center thread	200
heavy	253	Chipboards	332
Press-fit pins for alu hinges	252	Clamping connector	123
Spacer	252	Clamping for guidance system	298
Type A	251	Clamping levers	137
Type B	251	Coding examples	64
Type C	252	for price group 1	64
Alu hinges, heavy	253	for price group 2	65
Alu-plastic composite panel	333	for price group 3	66
Angle profiles	53	Combination profiles	160
Angles	201	PVC	159, 162
Angles 25×40	201	Connection	134
Angles Alu	210	elements	134
Angles GD-Al	209	of 0-slot profiles	124
Angles GD-Zn	203	of MayTec with other profile systems	132
Angles PA	202	of profiles 40, round	130
Swivel angles	211	plates	217
Angular adjusting feet	189	with corner pieces	222
with adjusting screw	189	Connection elements	134
without adjusting screw	189	Anti-twist devices	135
Angular tolerance	68	Anti-twist devices for subsequent insertion	136
Anti-twist devices	135	Clamping levers	137
for subsequent insertion	136	Retaining plates	134
Approximate determination of deflection	69	Connection plates	217
B		Connection possibilities	124
Bar locks	279	for 0-slot profiles	124
Assembly accessories	281	for profiles 40, round	130
Lock mounting sets	282	Other profile systems	132
Olive installation sets	282	Special cases	131
Profile machining	280	Subsequent mounting of profiles	131

Connection possibilities for 0-slot profiles	124	Connector components	105
Connection with DIN-Screw	129	Anchor	105, 107
Connection with screw-type connector	128	Cross bushing	105, 106
Connection with standard connector	125	Setscrew	107
Connection possibilities for profiles 40, round	130	Spring	107
Calculation formulas for polygons	130	Connector for	105
Connection System	85	core hole-Ø 12 mm	106
Connection variants with screw-type connectors	95, 100	core hole-Ø 6 mm	105
Connector	94	Connector kits	117
Bayonet type connector	119	Parallel	118
Clamping connector	123	Standard	117
Connector screw	101	Connector screw self-cutting	116
Connector screw-self-cutting	101	Connector selection	93
Cross connector	121	Connectors	92
Extension	94, 98	Connector complete	105
Extension / parallel connector	111	Cross bushings	102
Miter 90°-bent anchor l	99	drill dimensions	124
Miter 90°-bent anchor r	99	Examples	87
Miter 90°-hinge l + r	94, 99	Machining of profiles with core hole-Ø12	96
Miter-bent anchor l + r	99	Machining of profiles with core hole-Ø6	94
Miter-hinge l + r	94, 99	Manufacture a connection	92
Oblique 90°-bent anchor	97	Parallel connector	110
Oblique 90°-bent anchor 90°	97	Special cases	93, 110
Oblique 90°-hinge	94, 97	types and materials	93
Oblique-bent anchor l	96	Connectors - Special cases	110
Oblique-bent anchor r	97	Bayonet type connector	119
Oblique-bent anchor standard l	97	Clamping connector	123
Oblique-bent anchor standard r	97	Connector kits	117
Oblique-cross-hinge	97	Connector screw self-cutting	116
Oblique-cross-hinge 90°	97	Cross connector	121
Oblique-hinge l + r	94, 96	Extension / parallel connector	111
Parallel connector for subsequent insertion	122	Parallel connector for subsequent insertion	122
Parallel-cross	94, 98	SE-Connector	113
Parallel-high	94, 98	ST-Connector	114
Parallel-high 90°	98	ST-Connector with anchor, screw-type	115
Parallel-square	94, 98	Universal connector with knurled cross bushing	112
Parallel-square 90°	98	Corner elements	328
Screw-type front sided	95, 100	Corner element 33 for wire net mounting profile 33×10	329
Screw-type parallel-cross	95, 100	for wire net mounting profile	328
Screw-type parallel-high	95, 100	Corner pieces	220
Screw-type parallel-square	95, 100	45°	221
SE-Connector	113	cubic	220, 223
Shifter	99	segment	223
Square head Standard	96	segment, 2gang	223
Square head Standard 90°	96	spherical	221, 223
Square head Universal	96	Cover caps	173
Standard	96	for profiles with core hole-Ø12	174
Standard 90°	96	for profiles with core hole-Ø6	173
ST-Connector	114	for profiles without core hole	173
ST-Connector with anchor, screw-type	115	for screw bores	177
Universal	94, 96	for tube profile	175
Universal connector with knurled cross bushing	112	for tubes	177
Connector - Cross bushings	102	Ø48 for hand rail profile	175
Drill dimensions for connector cross bushings	102	Cover plug	124, 176
Mounting variants	103	domed	176
Connector - Drill dimensions	124	for connector bushings	176
with radius covers	124	Cover profiles	157
without radius covers	124	Alu	157
Connector complete	105	PVC	157
PG 20	105, 106, 108	Cross bore	62
PG 30	106, 108	Cross bushing	102
PG 40	106, 108	bore for connector	62
PG 45	107, 109	Cross connection plates	212
PG 50	107, 109	Cross connector	121
PG 60	107, 109	Cross section of slots	6

Cross-blocks for cable binder	309	F-slot	6
C-track	54	Functional length	67
Curved profiles	84	G	
Cylinder locks	271	Grab handle profiles	53, 238
flush	273	Grab handles	238
with security latch	272	Grid, steel	335
D		Ground connections	307
Deflection	69	Ground connector for potential equalisation	306
Delivery length	67	Guard locking device	313
Determination of deflection	69	Guidance system	297
Direction and Position	63	Clamping for guidance system	298
Distance washer	299	Distance washer	299
Door handle	278	Sliding blocks	298
Door knob	278	T-Nut sliding blocks	299
Double hinge	245	Guide profile PVC	163
Drill dimensions for connector cross bushings	102	H	
Drill jigs	340	Hand adjustable feet	182
for profiles with F- and E-slots	342	Hand rail	78
for profiles with H-slots	340	Handle system	236
with clamping lever	340, 342	oval design	237
with setscrew	340, 342	round design	236
Drills	341, 343	Handles	234
E		light Alu	234
E3-slot	6	light PA	234
E4-slot	6	PA	235
Eco-Slides	300	PA with bore	235
Edge roller	291	PA with thread	235
Electrical accessories	141, 306	Hanging bracket	304
Electrical installation trunking	320, 324	Hinge profiles	55
accessories	320	1.5 mm	55
E-trunking Alu, base profiles	58, 324	2.0 mm	55
E-trunking Alu, end plates	326	3.0 mm	56
E-trunking Alu, for clips	327	5.0 mm	55
E-trunking Alu, lids	58, 325	Hinges	239, 244, 246
E-trunking Alu, pre-cut lid	325	Alu hinges	251
E-trunking Alu	320, 324	Alu hinges, heavy	253
E-trunking Alu, end plates	326	Double hinge	245
E-trunking Alu, for clips	327	Lift-off hinges	240
E-trunking Alu, pre-cut lid	325	Hollow profiles	52
E-trunking profiles	58	I	
Base profiles	58	Index	347
Cover profiles	58	Installation accessories	139, 157
Extension / parallel connector	111	Installation rings	310
Extruded profile as per DIN EN 12020	67	J	
Eye-bolt	219	Joints	255
F		with / without clamping lever	257
Fastening elements	139	with clamping lever	255
Fastening plate 30×150	218	without clamping lever	255
Fixed castors	197	Zn	257
with bolt hole	197	Zn, with clamping lever	257
with fitting plate	197	Zn, without clamping lever	257
Flap-lock countersunk	273	L	
Flatness of profile surfaces	67	Latch lock	283
Flatness tolerance	67	Levelling feet	181, 183
Flexure load	133	Levelling furniture foot	183
Floor levelling screw	181	Lift-off hinges	240
Floor mounting plate	215	Lock GD-Zn	270
Floor plate	216	Lock mounting set	282
Framing profiles	164, 169	with double beard key	282
one piece	164	with square key	282
two pieces	169		

Locking castors	199	Polycarbonate	334
with center thread	200	Solid plastic panels	332
with plate	199	Wire net, Alu	334
M		Wire net, steel	335
Machining of profiles	94	Panel framing profile	54
with core hole-Ø12	96	Panel profiles	45
with core hole-Ø6	94	Panel profiles 30, F-slot, P	45
with core hole-Ø6 for miter	94	Panel profiles 40, E3-slot, P	46
Magnetic lock PA	269	Panel profiles 50, E4-slot, P	47
Makrolon	334	Parallel connector	110
MayTec connector with square head	87	Parallel connector for subsequent insertion	122
MayTec ground-connector for potential equalisation	87	Parallelism tolerance	68
MayTec screw-type connector	87	Pneumatic	224
MayTec standard-connector	87	90° connection sets	232
MayTec universal-connector	87	accessories	224
Mechanical data	67	connection plate sets	230
Milling cutter	341, 343	connection plates	230
Mortise deadlocks	275	end plate sets	225
cases	276	end plates	225
cases with lock	277	extension sets	231
cases without lock	276	Pneumatic accessories	140, 224, 233
Door handle	278	Blanking plug	233
Door knob	278	Reducing nipple	233
Installation sets	276	Sealing ring	233
Installation sets with lock	277	Polycarbonate	334
Installation sets without lock	276	Potential equalisation	306
Profile machining	275	Press in device for knurled cross bushing	338
Push pins	278	Press-fit pins for alu hinges	252
Mounting adaptor for roller	290	Press-fit threaded inserts	155
Mounting blocks	258	without collar	156
Distancing plate, thin	261	Price groups (1 -3)	61
for subsequent insertion	260	Profile applications	74
GD-Zn	259	Curved profiles	84
screw-type	258	Hand rail	78
Mounting clamp blocks	262	Profile combinations	74
for subsequent insertion	262	Profiles for cable guide	80
SL	264	Slot plates	75
Tool for mounting clamp block SL	264	Special slits	74
Mounting instruction for screw-type connectors	95, 100	U-Profile 40	79
Mounting of connector in core hole	88	Profile combinations	74
Mounting of connector in slot	89	Profile group	12
Mounting plates	216	16 mm, E3-slot, P	12
Mounting set for 19" profile	311	16 mm, F-slot, P	12
Mounting sockets	330	20 mm, F-slot, P	15
Mounting variation	125	20 mm, H-slot, P	13
for high flexure load	126	30 mm, E4-slot, P	18
for high sliding load	127	30 mm, F-slot	34
for profiles with 1 connector	125	30 mm, F-slot, P	16
N		40 mm, E3-slot	36
Numerical key for articles	7	40 mm, E3-slot, P	20
O		45 mm, E4-slot	40
Olive installation sets	282	45 mm, E4-slot, P	28
Order description	60	50 mm, E4-slot	42
Order examples for special design	66	50 mm, E4-slot, P	31
Oval tube	237	60 mm, E4-slot	44
P		60 mm, E4-slot, P	32
Panel elements	141, 328, 331	Profile machining	60
Acrylic	333	Bores for parallel-connector	62
Alu-plastic composite panel	333	Coding examples	64
Chipboards	332	Coding examples for special design	66
Grid, steel	335	Cross bore	62
Makrolon	334	Cross bushing bore for connector	62
		Direction and Position	63
		Order description	60
		Price group 1-3	61
		Saw cut	61

Saw cut tolerance	61	Saw cut	61
Summary	60	Saw cut tolerance	61
Thread	62	Screw taps	345
Profile pre-cut lids	52	Screw taps for aluminium machining	345
lid 120	325	Screws	338
lid 30	81	Button head screws	338
lid 40	82	Sealing profile	168
lid 50	83	SE-Connector	113
Profile selection range	70	Security latch	272
Profile tolerance	67	Self locking washers	336
Profiles 48, round (plain)	33	SP	337
Profiles for cable guide	80	Standard	337
Slot distance 30	81	Sensor brackets	319
Slot distance 40	82	Slide load	133
Slot distance 50	83	Slide-slot profiles PA	57
Profiles for pneumatic applications	224	Sliding blocks	298
Profiles hexagonal (plain)	33	Sliding doors	161
Profiles octagonal (plain)	33	construction types	161
Push pins	278	Sliding profiles	54
Q		Slot plates	75
Quick locks	265	E-slot	75
R		E-slot, slot distance 25 mm	77
Radius compensations	180	E-slot, slot distance 50 mm	77
Radius covers	178	F-slot	75
Rectangle 90° with one radius	179	F-slot, slot distance 25 mm	76
Rectangle 90° with two radii	179	F-slot, slot distance 50 mm	76
Rectangle with one radius	178	Profile 30×100, 10F, SP	76
Rectangle with two radii	179	Profile 30×100, 5E, 2F, SP	77
Square with one radius	178	Profile 30×100, 9F, SP	76
Square with two radii	179	Profile 30×150, 8E, SP	77
Reducing profiles PVC	158	Profile 30×150, 8F, SP	76
Register	1	Slot rollers	296
Retaining plates	134	Slot system	6
Rhomboid T-slot nuts	151	E3-slot	6
Roller 29	285	E4-slot	6
Roller 39	284	F-slot	6
Roller fastening sets	286	H-slot	6
A, double sided	287	Solid plastic panels	332
A, one sided	287	Spacer	252
type A	286	Special cases	93
type B	288	Special characters	5
Roller fitting	292	Special profiles	33, 52
Roller profiles (plain)	50	19" profiles	57
Rubber cover-profiles	172	Angle profiles	53
Runner	293	Base profiles	52
for sliding suspended doors	294	C-track	54
for suspended doors	293	E-trunking profiles	58
Stopper Type 1 for sliding suspended doors	295	Grab handle profiles	53
Stopper Type 2 for sliding suspended doors	295	Hinge profiles	55, 56
S		Hollow profiles	52
Safety interlocking	314	Panel framing profile	54
Contact bracket-mounting	315	Profile pre-cut lids	52
mountings	314	Profiles 48, round, P	33
Safety interlocking-mountings	314	Profiles hexagonal, P	33
AZ 17 for sliding door	317	Profiles octagonal, P	33
AZ 17 for swinging door	316	Roller profiles, P	50
for sliding door	315	Slide-slot profiles	57
for swinging door	314	Sliding profiles	54
with lock for swinging door	314	Telescopic profiles, E3-slot, P	51
Safety switches	312	T-Slot profiles	56
AZ 17	313	Tube profiles 30, P	49
Contact bracket-mounting	315	Tubes	55
Guard locking devices AZM 170	313	U-profiles	54
		Wire net mounting profiles	53
		Special slits	74
		Sponge rubber round cords	166

Spring-nuts	149	for subsequent insertion, with spring, 2×M8	147
Stacking foot	196	with spring	145
ST-Connector	114	Tools	141, 339
with anchor, screw-type	115	Drill	341, 343
Straightness tolerance	67	Drill jigs	340, 342
Strength values for profile connections	133	for anchors	339
with MayTec-Connectors	133	for cross bushings	339
Subject index	347	for profiles with F- and E-slots	343
Subsequent mounting of profiles	131	for profiles with H-slots	341
Summary	8, 88, 139, 339	Milling cutter	341, 343
Accessories	139	Press in device for knurled cross bushings	338
Connectors (with machining)	88	Screw taps	345
Connectors (without machining)	90	Special cases	344
Profiles (plain)	8	Summary	339
Profiles (with grooves)	9	Tx screw driver	338
Special profiles	11	Torque tightening values for connector setscrew	133
Special profiles (plain)	10	Torx	338
Tools	339	T-slot nuts	150
Suspended doors	292	T-slot profiles	56
Alu C-track	292	PA	56
Bottom guide	293	Steel	56
Frame guide	293	Tube profiles	49
Roller fitting	292	Tubes	55
Rubber door stop	293	Twin track guide for roller 29	285
Runner	293	Twist tolerance	67
Stopper	293	Tx screw driver	338
Suspended glider	305	Type of load	68
Swivel angles	211	U	
Swivel castors	198	Universal connector	94, 96
Swivel castors lockable	198	for profile 30×150	110
Symbols	5	with knurled cross bushing	112
T		U-Profile 40	79
Table of contents	2	U-Profiles	54
T-Bolts	152	V	
Technical data	67	Vibration proof	85
Angular tolerance	68	W	
Approximate determination of deflection	69	Washers	336
Bending strength	68	Wedge profiles	165
Deflection	69	Wire net mounting profiles	53
Delivery length	67	Wire net profiles	48
Extruded profile as per EN 12020	67	30, F-slot, P	48
Flatness of profile surfaces	67	40, F / E3-slot, P	48
Flatness tolerance	67	Wire net, Alu	334
Functional length	67	Wire net, steel	335
Mechanical data	67		
Parallelism tolerance	68		
Profile tolerance	67		
Straightness tolerance	67		
Twist tolerance	67		
Telescopic profiles (plain)	51		
Tension load	133		
Thread	62		
Threaded bolt for locking castor with center thread	200		
Threaded inserts	153		
Press-fit threaded inserts	155		
Press-fit threaded inserts w/o collar	156		
Threaded plates	142		
for subsequent insertion	143		
heavy	144		
T-Nut sliding blocks	299		
T-Nuts	145		
for subsequent insertion	146		
for subsequent insertion, with spring	147		
for subsequent insertion, with spring ball	146		
for subsequent insertion, with spring, 2×M4	148		

Imprint

Subject to technical modification.

All rights reserved.

Copying - also in parts - only allowed by written consent.

© MayTec Aluminium Systemtechnik GmbH, Germany, D - 85221 Dachau, 2011



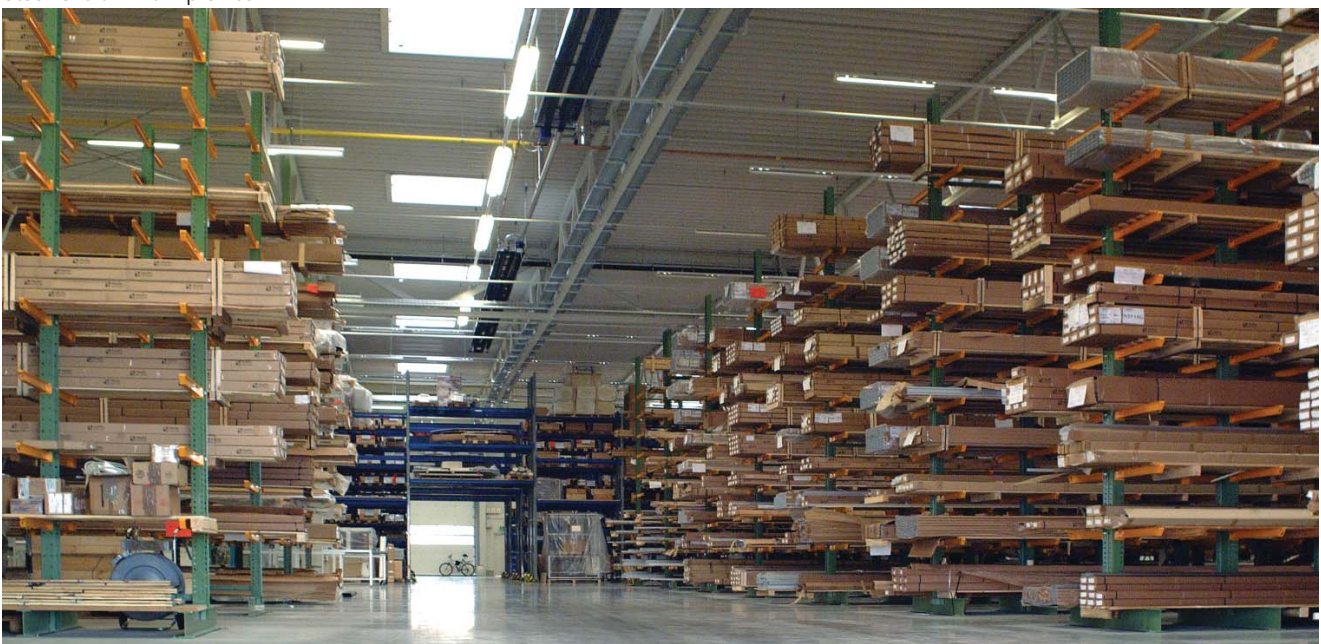
MayTec GmbH plant in Dachau



Small parts storage



Stock of aluminium profiles



The key ...

to success

extremely strong

efficient

functional

Australia

MayTec Australia P/L

Unit 8, 175 James Ruse Drive
Rosehill, NSW 2142

country code: +61
phone (0)2/98989929
fax (0)2/96384086
e-mail: info@maytec.com.au
<http://www.maytec.com.au>

Germany

MayTec Aluminium
Systemtechnik GmbH
Kopernikusstraße 20
D-85221 Dachau

country code: +49
phone (0)8131/3336-0
fax (0)8131/3336-119
e-mail: mail@maytec.de
<http://www.maytec.de>

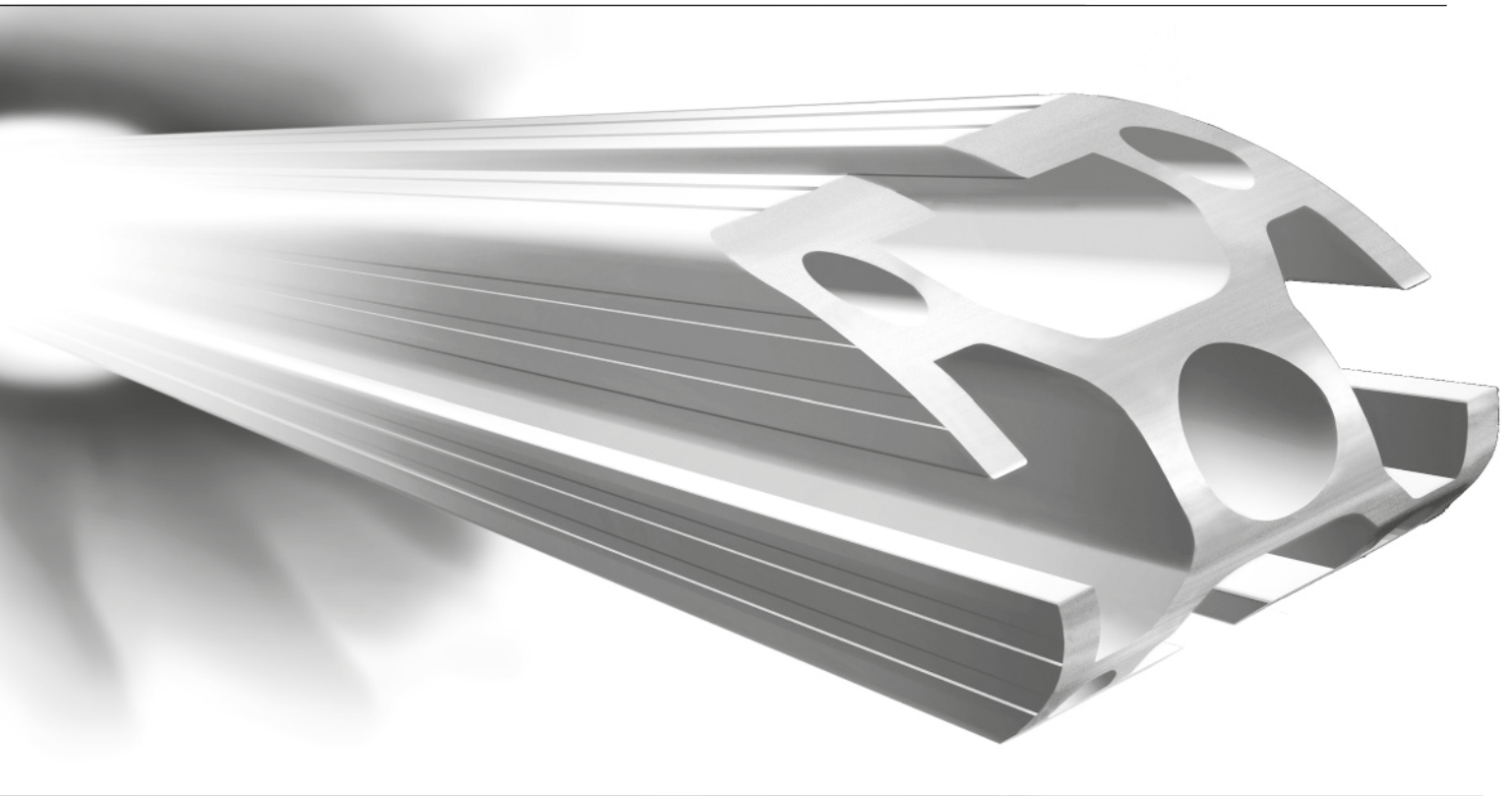
USA

MayTec Inc.

901 Wesemann Drive
West Dundee, IL 60118

country code: +1
phone 847-429-0321
fax 847-429-0460
e-mail: mail@maytecinc.com
<http://www.maytecinc.com>

MayTec distributor



The Profile System

Order comments

- Definition of quantities
 Article-Number
 □.□□.□□□□□□.□□□□.60 = 1 bar
 □.□□.□□□□□□.□□□□.61 = 1 PU (Packing Unit)
 □.□□.□□□□□□.□□□□.99 = 1 PU of 100 pieces
- Cut to length (= saw cut *↔ catalogue 61ff*)
 Price for cut to length = price (\$/m) of bar + price of profile machining for saw cut

Prices for profile machining

Page	Description	1 Piece
		\$/Piece
59	Saw cut, price group 1 (A-E)	2.00
59	Saw cut, price group 2 (F-K)	3.00
59	Saw cut, price group 3 (L-P)	3.50
60	Cross bushing bore for connectors (A-K, X)	2.00
60	Bore for parallel-connector (Z)	3.50
60	Cross bore (Q)	4.00
60	Thread (L-W, Y)	3.00
	Surcharge for scrap:	10 %

Commercial Terms and Conditions

- Prices:
 - All prices are valid in US-\$.
 - Prices do not include freight and packing.
 - Sales Tax, if payable, will be charged at the applicable rate.
 - Unless otherwise specified, all prices listed are for one item.
- Payment:
 - All orders are C.O.D. until credit approved.
 - 2 % discount if paid within 14 days. All balances are due within 30 days of invoice.
 - F.O.B. Shipping Point.
- Minimum Order:
 - A surcharge of \$ 15.00 will apply to all orders less than \$ 150.00.
- Restocking Fee:
 - In case of returned goods, a 20 % restocking fee will be charged with a minimum fee \$ 25.00.
- Price Validity:
 - This price list replaces all previous price lists. Error and price change are excepted.
- Conditions:
 - Subject to the 'General Terms and Conditions of Sale' available on request.

Page	Article-No.	Description	1 Piece	PU = 100 Pcs	
			\$/Piece	\$/Piece	\$/PU
	0.61.D00439.06	Hexagonal nut DIN 439 - M6	0.24	0.214	21.36
	0.61.D00934.06	Hexagonal nut DIN 934 - M6	0.24	0.214	21.36
	0.61.D00934.08	Hexagonal nut DIN 934 - M8	0.24	0.214	21.36
205	0.61.D06923.08	Hexagonal nut with flange DIN 6923 - M8	0.24	0.214	21.36
	0.62.D00125.A6,4	Washer DIN 125 - 6.4	0.24	0.214	21.36
	0.62.D00128.A4	Spring washer DIN 128, A4	0.06	0.050	5.03
	0.62.D00128.A5	Spring washer DIN 128, A5	0.06	0.050	5.03
	0.62.D00128.A6	Spring washer DIN 128, A6	0.06	0.050	5.03
	0.62.D00128.A8	Spring washer DIN 128, A8	0.06	0.050	5.03
	0.62.D00433.08,4	Washer DIN 433 - 8.4	0.24	0.214	21.36
	0.62.D06340.06,4	Washer DIN 6340 - 6.4	0.24	0.214	21.36
337	0.62.D2520106	Self locking washers, M6	0.77	0.691	69.09
337	0.62.D2520106SP	Self locking washers, M6, SP	0.91	0.817	81.66
337	0.62.D2520106SPSS	Self locking washers, M6, SPSS	2.65	2.387	238.69
337	0.62.D2520106SS	Self locking washers, M6, SS	2.37	2.136	213.56
337	0.62.D2520108	Self locking washers, M8	0.84	0.754	75.38
337	0.62.D2520108SP	Self locking washers, M8, SP	1.05	0.942	94.22
337	0.62.D2520108SPSS	Self locking washers, M8, SPSS	3.21	2.887	288.66
337	0.62.D2520108SS	Self locking washers, M8, SS	2.58	2.324	232.41
337	0.62.D2520110	Self locking washers, M10	0.91	0.817	81.66
337	0.62.D2520110SP	Self locking washers, M10, SP	1.74	1.570	157.03
337	0.62.D2520110SPSS	Self locking washers, M10, SPSS	5.23	4.710	470.95
337	0.62.D2520110SS	Self locking washers, M10, SS	3.00	2.701	270.09
	0.63.D00912.06012	Cylindric head screw, DIN 912 - M6x12	0.24	0.214	21.36
	0.63.D00912.06016	Cylindric head screw, DIN 912 - M6x16	0.24	0.214	21.36
	0.63.D00912.06025	Cylindric head screw, DIN 912 - M6x25	0.24	0.214	21.36
	0.63.D00912.06030	Cylindric head screw, DIN 912 - M6x30	0.24	0.214	21.36
	0.63.D00912.06045	Cylindric head screw, DIN 912 - M6x45	0.24	0.214	21.36
	0.63.D00912.06085	Cylindric head screw, DIN 912 - M6x85	0.54	0.490	48.99
	0.63.D00912.08016	Cylindric head screw, DIN 912 - M8x16	0.24	0.214	21.36
338	0.63.D00913.08025	Hex-socket set screw, DIN 913, M8x25	0.24	0.214	21.36
	0.63.D00915.06016	Setscrew DIN 915, M6x16, galvanised	0.24	0.214	21.36
	0.63.D06912.06020	Cylindric head screw, DIN 6912 - M6x20	0.24	0.214	21.36
	0.63.D06912.08020	Cylindric head screw, DIN 6912 - M8x20	0.24	0.214	21.36
	0.63.D07504.05025	Drilling screw DIN 7504 - St 5.5x25	0.24	0.214	21.36
	0.63.D07991.04012	Flat head screw, DIN 7991 - M4x12	0.24	0.214	21.36
	0.63.D07991.04016	Flat head screw, DIN 7991 - M4x16	0.24	0.214	21.36
	0.63.D07991.04020	Flat head screw, DIN 7991 - M4x20	0.24	0.214	21.36
	0.63.D07991.05008	Flat head screw, DIN 7991 - M5x8	0.24	0.214	21.36
	0.63.D07991.05010	Flat head screw, DIN 7991 - M5x10	0.24	0.214	21.36
	0.63.D07991.05012	Flat head screw, DIN 7991 - M5x12	0.24	0.214	21.36
	0.63.D07991.05014	Flat head screw, DIN 7991 - M5x14	0.24	0.214	21.36
	0.63.D07991.05016	Flat head screw, DIN 7991 - M5x16	0.24	0.214	21.36
	0.63.D07991.05020	Flat head screw, DIN 7991 - M5x20	0.24	0.214	21.36
	0.63.D07991.06012	Flat head screw, DIN 7991 - M6x12	0.24	0.214	21.36
	0.63.D07991.06014	Flat head screw, DIN 7991 - M6x14	0.24	0.214	21.36
	0.63.D07991.06016	Flat head screw, DIN 7991 - M6x16	0.24	0.214	21.36
	0.63.D07991.06020	Flat head screw, DIN 7991 - M6x20	0.24	0.214	21.36
	0.63.D07991.06025	Flat head screw, DIN 7991 - M6x25	0.24	0.214	21.36
195	0.63.WN0251.08020	Collar screw, M8x20, WN0251	0.78	0.704	70.35
338	0.63.WN7380.05012	Button head screw, M5x12, WN7380	0.31	0.276	27.64
338	0.63.WN7380.08012	Button head screw, M8x12, WN7380	0.36	0.327	32.66
338	0.63.WN7380.08018	Button head screw, M8x18, WN7380	0.49	0.440	43.97
338	0.63.WN7380.08030	Button head screw, M8x30, WN7380	0.45	0.402	40.20
	0.63.WN7381.05006	Round head flange screw, M5x6, WN7381	0.24	0.214	21.36
	0.63.WN7381.05008	Round head flange screw, M5x8, WN7381	0.24	0.214	21.36
	0.63.WN7381.06010	Round head flange screw, M6x10, WN7381	0.24	0.214	21.36
	0.63.WN7381.06012	Round head flange screw, M6x12, WN7381	0.24	0.214	21.36
	0.63.WN7381.06016	Round head flange screw, M6x16, WN7381	0.24	0.214	21.36
	0.63.WN7381.08012	Round head flange screw, M8x12, WN7381	0.24	0.214	21.36
	0.63.WN7381.08016	Round head flange screw, M8x16, WN7381	0.24	0.214	21.36
190	0.66.MKT.B1020/95	Pin anchor MKT, B10/20/95	1.62	1.457	145.73
338	0.69.I08752.08024	Dowel pin ISO 8752 (DIN 1481), 8x24 (for drill jig)	0.47		

Page	Article-No.	Description	bar 6 m		Packing Unit (PU)			
			\$/m	\$/bar	bars/PU	m/PU	\$/m	\$/PU
12	1.09.016040.14LP	Profile 16x40, 1E, light, plain	9.68	58.07	20	120	8.91	1,069.32
12	1.09.016040.14SP	Profile 16x40, 1E, heavy, plain	14.35	86.12	20	120	13.21	1,585.36
12	1.09.016080.24LP	Profile 16x80, 2E, light, plain	23.08	138.47	10	60	21.24	1,274.14
12	1.09.016080.24SP	Profile 16x80, 2E, heavy, plain	31.66	189.98	10	60	29.15	1,748.95
12	1.09.016160.44LP	Profile 16x160, 4E, light, plain	47.78	286.71	5	30	43.98	1,319.36
12	1.10.016040.14LP	Profile 16x40, 1F, light, plain	9.89	59.32	20	120	9.10	1,091.93
12	1.10.016040.14SP	Profile 16x40, 1F, heavy, plain	14.07	84.44	20	120	12.96	1,554.77
13	1.10.020020.21SP	Profile 20x20, 2H, soft, heavy, plain	9.24	55.42	10	60	8.49	509.39
13	1.10.020020.22SP	Profile 20x20, 2H, corner, heavy, plain	10.05	60.30	10	60	9.27	555.94
13	1.10.020020.23LP	Profile 20x20, 2H, light, plain	8.07	48.44	10	60	7.45	446.88
13	1.10.020020.33SP	Profile 20x20, 3H, heavy, plain	10.05	60.30	10	60	9.27	555.94
14	1.10.020020.43LP	Profile 20x20, 4H, light, plain	6.89	41.32	10	60	6.30	377.72
14	1.10.020020.43SP	Profile 20x20, 4H, heavy, plain	10.05	60.30	10	60	9.24	554.61
14	1.10.020040.44SP	Profile 20x40, 4H, heavy, plain	18.75	112.50	10	60	17.27	1,036.07
14	1.10.020040.64LP	Profile 20x40, 6H, light, plain	11.66	69.93	10	60	10.73	643.72
14	1.10.020040.64SP	Profile 20x40, 6H, heavy, plain	18.75	112.50	10	60	17.27	1,036.07
14	1.10.040040.83LP	Profile 40x40, 8H, light, plain	20.96	125.76	10	60	19.29	1,157.10
15	1.11.020010.14LP	Profile 20x10, 1F, light, plain	5.35	32.11	10	60	4.94	296.59
15	1.11.020030.14LP	Profile 20x30, 1F, light, plain	10.05	60.30	10	60	9.24	554.61
15	1.11.020030.24LP	Profile 20x30, 2F, light, plain	10.05	60.30	10	60	9.24	554.61
15	1.11.020030.24SP	Profile 20x30, 2F, heavy, plain	13.77	82.63	10	60	12.68	760.76
16	1.11.030030.03SP	Profile 30x30, 0F, heavy, plain	16.19	97.16	10	60	14.92	895.09
16	1.11.030030.13LP	Profile 30x30, 1F, light, plain	13.19	79.15	10	60	12.15	728.84
16	1.11.030030.13SP	Profile 30x30, 1F, heavy, plain	16.19	97.16	10	60	14.92	895.09
34	1.11.030030.21S	Profile 30x30, 2F, soft, heavy	16.19	97.16	10	60	14.92	895.09
16	1.11.030030.21SP	Profile 30x30, 2F, soft, heavy, plain	16.19	97.16	10	60	14.92	895.09
34	1.11.030030.22L	Profile 30x30, 2F, corner, light	13.19	79.15	10	60	12.15	728.84
16	1.11.030030.22LP	Profile 30x30, 2F, corner, light, plain	13.19	79.15	10	60	12.15	728.84
34	1.11.030030.22S	Profile 30x30, 2F, corner, heavy	16.19	97.16	10	60	14.92	895.09
34	1.11.030030.22SB	Profile 30x30, 2F, corner, heavy, B	16.19	97.16	10	60	14.92	895.09
16	1.11.030030.22SBP	Profile 30x30, 2F, corner, heavy, B, plain	16.19	97.16	10	60	14.92	895.09
34	1.11.030030.23L	Profile 30x30, 2F, light	13.19	79.15	10	60	12.15	728.84
17	1.11.030030.23LP	Profile 30x30, 2F, light, plain	13.19	79.15	10	60	12.15	728.84
17	1.11.030030.23SP	Profile 30x30, 2F, heavy, plain	16.19	97.16	10	60	14.92	895.09
34	1.11.030030.33L	Profile 30x30, 3F, light	13.19	79.15	10	60	12.15	728.84
17	1.11.030030.33LP	Profile 30x30, 3F, light, plain	13.19	79.15	10	60	12.15	728.84
34	1.11.030030.33S	Profile 30x30, 3F, heavy	16.19	97.16	10	60	14.92	895.09
17	1.11.030030.33SP	Profile 30x30, 3F, heavy, plain	16.19	97.16	10	60	14.92	895.09
35	1.11.030030.43L	Profile 30x30, 4F, light	11.52	69.09	10	60	10.62	637.07
17	1.11.030030.43LP	Profile 30x30, 4F, light, plain	11.52	69.09	10	60	10.62	637.07
35	1.11.030030.43S	Profile 30x30, 4F, heavy	14.07	84.44	10	60	12.97	778.05
17	1.11.030030.43SP	Profile 30x30, 4F, heavy, plain	14.07	84.44	10	60	12.97	778.05
35	1.11.030050.44L	Profile 30x50, 4F, light	18.75	112.50	6	36	17.25	621.11
35	1.11.030050.44S	Profile 30x50, 4F, heavy	24.78	148.65	6	36	22.79	820.61
17	1.11.030060.04SP	Profile 30x60, 0F, heavy, plain	29.89	179.36	6	36	27.52	990.85
35	1.11.030060.64L	Profile 30x60, 6F, light	21.54	129.25	6	36	19.84	714.21
17	1.11.030060.64LP	Profile 30x60, 6F, light, plain	21.54	129.25	6	36	19.84	714.21
35	1.11.030060.65S	Profile 30x60, 6F, heavy	26.52	159.12	6	36	24.42	879.13
17	1.11.030060.65SP	Profile 30x60, 6F, heavy, plain	26.52	159.12	6	36	24.42	879.13
19	1.11.030100.104SP	Profile 30x100, 10F, heavy, plain	42.95	257.67	4	24	39.57	949.62
18	1.11.030100.74SP	Profile 30x100, 5E, 2F, heavy, plain	48.06	288.38	4	24	44.28	1,062.67
18	1.11.030100.84SP	Profile 30x100, 8F, heavy, plain	41.92	251.53	4	24	38.63	927.01
18	1.11.030100.94SP	Profile 30x100, 9F, heavy, plain	43.25	259.48	4	24	39.84	956.27
19	1.11.030150.84SP	Profile 30x150, 8E, heavy, plain	115.20	691.21	2	12	106.07	1,272.81
19	1.11.030150.85SP	Profile 30x150, 8F, heavy, plain	58.32	349.94	2	12	53.75	645.05
33	1.11.0306kt.69SP	Profile 30 hexagonal, 6F, heavy, plain	38.25	229.48	2	12	35.25	422.94
33	1.11.0308kt.89SP	Profile 30 octagonal, 8F, heavy, plain	53.34	320.06	2	12	49.10	589.19
20	1.11.040040.03SP	Profile 40x40, 0E, heavy, plain	23.08	138.47	8	48	21.25	1,020.11
20	1.11.040040.13LP	Profile 40x40, 1E, light, plain	18.75	112.50	8	48	17.26	828.59
36	1.11.040040.21L	Profile 40x40, 2E, soft, light	18.75	112.50	8	48	17.26	828.59
20	1.11.040040.21LP	Profile 40x40, 2E, soft, light, plain	18.75	112.50	8	48	17.26	828.59

□.□□.□□□□□□.□□□□.60 = 1 bar / .61 = 1 PU

Page	Article-No.	Description	bar 6 m		Packing Unit (PU)			
			\$/m	\$/bar	bars/PU	m/PU	\$/m	\$/PU
36	1.11.040040.22L	Profile 40x40, 2E, corner, light	18.75	112.50	8	48	17.26	828.59
20	1.11.040040.22LP	Profile 40x40, 2E, corner, light, plain	18.75	112.50	8	48	17.26	828.59
36	1.11.040040.22S	Profile 40x40, 2E, corner, heavy	25.57	153.40	8	48	23.52	1,129.17
20	1.11.040040.22SP	Profile 40x40, 2E, corner, heavy, plain	25.57	153.40	8	48	23.52	1,129.17
36	1.11.040040.23L	Profile 40x40, 2E, light	18.75	112.50	8	48	17.26	828.59
21	1.11.040040.23LP	Profile 40x40, 2E, light, plain	18.75	112.50	8	48	17.26	828.59
27	1.11.040040.28LP	Profile 40x40, 2E, 45 deg., light, plain	18.24	109.43	8	48	16.74	803.32
36	1.11.040040.33L	Profile 40x40, 3E, light	19.94	119.62	8	48	18.34	880.46
21	1.11.040040.33LP	Profile 40x40, 3E, light, plain	19.94	119.62	8	48	18.34	880.46
36	1.11.040040.33S	Profile 40x40, 3E, heavy	25.57	153.40	8	48	23.52	1,129.17
37	1.11.040040.43L	Profile 40x40, 4E, light	15.63	93.80	8	48	14.38	690.27
21	1.11.040040.43LP	Profile 40x40, 4E, light, plain	15.63	93.80	8	48	14.38	690.27
37	1.11.040040.43S	Profile 40x40, 4E, heavy	23.89	143.35	8	48	21.97	1,054.69
21	1.11.040040.43SP	Profile 40x40, 4E, heavy, plain	23.89	143.35	8	48	21.97	1,054.69
21	1.11.040060.04LP	Profile 40x60, 0E, light, plain	28.29	169.73	8	48	26.02	1,248.87
21	1.11.040080.04LP	Profile 40x80, 0E, light, plain	39.27	235.62	4	24	36.19	868.49
22	1.11.040080.32LP	Profile 40x80, 3E, corner, light, plain	35.62	213.70	4	24	32.81	787.36
37	1.11.040080.44L	Profile 40x80, 4E, light	35.62	213.70	4	24	32.86	788.69
22	1.11.040080.44LBP	Profile 40x80, 4E, light, B, plain	35.62	213.70	4	24	32.86	788.69
22	1.11.040080.44LP	Profile 40x80, 4E, light, plain	35.62	213.70	4	24	32.86	788.69
22	1.11.040080.54LP	Profile 40x80, 5E, light, plain	35.62	213.70	4	24	32.86	788.69
37	1.11.040080.64L	Profile 40x80, 6E, light	29.61	177.69	4	24	27.27	654.36
23	1.11.040080.64LP	Profile 40x80, 6E, light, plain	29.61	177.69	4	24	27.27	654.36
23	1.11.040080.64SP	Profile 40x80, 6E, heavy, plain	46.90	281.40	4	24	43.17	1,036.07
23	1.11.040080.64XP	Profile 40x80, 6E, extra heavy, plain	54.16	324.95	4	24	49.82	1,195.67
37	1.11.040080.65S	Profile 40x80, 6E, heavy	46.90	281.40	4	24	43.17	1,036.07
37	1.11.040120.84L	Profile 40x120, 8E, light	46.76	280.56	2	12	43.00	516.04
23	1.11.040160.104LP	Profile 40x160, 10E, light, plain	66.09	396.55	2	12	60.85	730.17
23	1.11.040160.64LP	Profile 40x160, 6E, light, plain	75.19	451.14	2	12	69.27	831.25
33	1.11.0406kt.69SP	Profile 40 hexagonal, 6E, heavy, plain	59.95	359.71	2	12	55.31	663.67
33	1.11.0408kt.89SP	Profile 40 octagonal, 8E, heavy, plain	86.61	519.67	2	12	79.80	957.60
39	1.11.040R30.20L	Profile 40, round 30 deg., 2F, light <i>Please note that the thickness of cover cap 1.42.2040R30.2 is 4 mm</i>	13.77	82.63	8	48	12.69	609.14
26	1.11.040R30.20LP	Profile 40, round 30 deg., 2F, light, plain <i>Please note that the thickness of cover cap 1.42.2040R30.2 is 4 mm</i>	13.77	82.63	8	48	12.69	609.14
39	1.11.040R45.20L	Profile 40, round 45 deg., 2E, light	20.38	122.28	8	48	18.76	900.41
26	1.11.040R45.20LP	Profile 40, round 45 deg., 2E, light, plain	20.38	122.28	8	48	18.76	900.41
39	1.11.040R60.20L	Profile 40, round 60 deg., 2E, light	23.89	143.35	8	48	21.97	1,054.69
26	1.11.040R60.20LP	Profile 40, round 60 deg., 2E, light, plain	23.89	143.35	8	48	21.97	1,054.69
39	1.11.040R90.20L	Profile 40, round 90 deg., 2E, light	37.66	225.98	4	24	34.69	832.58
26	1.11.040R90.20LP	Profile 40, round 90 deg., 2E, light, plain	37.66	225.98	4	24	34.69	832.58
28	1.11.045045.03LP	Profile 45x45, 0E, light, plain	23.24	139.45	8	48	21.39	1,026.76
28	1.11.045045.13LP	Profile 45x45, 1E, light, plain	23.24	139.45	8	48	21.39	1,026.76
28	1.11.045045.21LP	Profile 45x45, 2E, soft, light, plain	18.17	109.02	8	48	16.71	801.99
28	1.11.045045.22LP	Profile 45x45, 2E, corner, light, plain	23.24	139.45	8	48	21.39	1,026.76
29	1.11.045045.23LP	Profile 45x45, 2E, light, plain	23.24	139.45	8	48	21.39	1,026.76
29	1.11.045045.33LP	Profile 45x45, 3E, light, plain	23.24	139.45	8	48	21.39	1,026.76
40	1.11.045045.43L	Profile 45x45, 4E, light	17.01	102.04	8	48	15.68	752.78
29	1.11.045045.43LP	Profile 45x45, 4E, light, plain	17.73	106.36	8	48	16.32	783.37
40	1.11.045045.43S	Profile 45x45, 4E, heavy	23.08	138.47	8	48	21.25	1,020.11
29	1.11.045045.43SP	Profile 45x45, 4E, heavy, plain	25.29	151.73	8	48	23.30	1,118.53
40	1.11.045060.44L	Profile 45x60, 4E, light	30.06	180.35	6	36	27.67	996.17
29	1.11.045060.44LP	Profile 45x60, 4E, light, plain	30.06	180.35	6	36	27.67	996.17
40	1.11.045060.44S	Profile 45x60, 4E, heavy	38.11	228.64	6	36	35.10	1,263.50
29	1.11.045060.44SP	Profile 45x60, 4E, heavy, plain	38.11	228.64	6	36	35.10	1,263.50
29	1.11.045090.04LP	Profile 45x90, 0E, light, plain	44.27	265.63	4	24	40.79	978.88
29	1.11.045090.04SP	Profile 45x90, 0E, heavy, plain	56.27	337.65	4	24	51.81	1,243.55
40	1.11.045090.64L	Profile 45x90, 6E, light	36.06	216.35	4	24	33.19	796.67
30	1.11.045090.64LP	Profile 45x90, 6E, light, plain	37.08	222.50	4	24	34.14	819.28
40	1.11.045090.64S	Profile 45x90, 6E, heavy	49.97	299.82	4	24	46.00	1,103.90
30	1.11.045090.64SP	Profile 45x90, 6E, heavy, plain	49.97	299.82	4	24	46.00	1,103.90

Page	Article-No.	Description	bar 6 m		Packing Unit (PU)			
			\$/m	\$/bar	bars/PU	m/PU	\$/m	\$/PU
33	1.11.048R00.10SP	Profile 48 mm, round, 1E, heavy, plain	24.92	149.49	6	36	22.94	825.93
33	1.11.048R00.20SP	Profile 48 mm, round, 2E, heavy, plain	24.92	149.49	6	36	22.94	825.93
33	1.11.048R00.22SP	Profile 48 mm, round, 2E, corner, heavy, plain	24.92	149.49	6	36	22.94	825.93
42	1.11.050050.21S	Profile 50x50, 2E, soft, heavy	33.27	199.61	6	36	30.63	1,102.57
42	1.11.050050.22L	Profile 50x50, 2E, corner, light	31.66	189.98	6	36	29.15	1,049.37
42	1.11.050050.22S	Profile 50x50, 2E, corner, heavy	42.64	255.85	6	36	39.24	1,412.46
42	1.11.050050.23L	Profile 50x50, 2E, light	31.66	189.98	6	36	29.15	1,049.37
42	1.11.050050.33L	Profile 50x50, 3E, light	31.66	189.98	6	36	29.15	1,049.37
42	1.11.050050.33S	Profile 50x50, 3E, heavy	42.64	255.85	6	36	39.24	1,412.46
43	1.11.050050.43L	Profile 50x50, 4E, light	28.15	168.90	6	36	25.90	932.33
43	1.11.050050.43S	Profile 50x50, 4E, heavy	36.64	219.85	6	36	33.73	1,214.29
43	1.11.050100.64L	Profile 50x100, 6E, light	49.39	296.34	3	18	45.44	817.95
43	1.11.050100.65S	Profile 50x100, 6E, heavy	74.17	444.99	3	18	68.27	1,228.92
43	1.11.050100.84L	Profile 50x100, 8E, light	51.16	306.95	3	18	47.07	847.21
43	1.11.050100.84S	Profile 50x100, 8E, heavy	76.79	460.77	3	18	70.71	1,272.81
43	1.11.050150.85S	Profile 50x150, 8E, heavy	119.30	715.78	2	12	109.84	1,318.03
19	1.11.060060.03SP	Profile 60x60, 0F, heavy, plain	51.60	309.60	6	36	47.51	1,710.38
32	1.11.060060.23LP	Profile 60x60, 2E, light, plain	30.78	184.67	6	36	28.34	1,020.11
32	1.11.060060.23SP	Profile 60x60, 2E, heavy, plain	44.27	265.63	6	36	40.75	1,466.99
44	1.11.060060.43L	Profile 60x60, 4E, light	30.78	184.67	6	36	28.34	1,020.11
32	1.11.060060.43LP	Profile 60x60, 4E, light, plain	30.78	184.67	6	36	28.34	1,020.11
44	1.11.060060.43S	Profile 60x60, 4E, heavy	44.27	265.63	6	36	40.75	1,466.99
32	1.11.060060.43SP	Profile 60x60, 4E, heavy, plain	44.27	265.63	6	36	40.75	1,466.99
35	1.11.060060.83L	Profile 60x60, 8F, light	33.27	199.61	8	48	30.62	1,469.65
35	1.11.060060.87S	Profile 60x60, 8F, angle, heavy	39.27	235.62	4	24	36.19	868.49
44	1.11.060090.64L	Profile 60x90, 6E, light	53.34	320.06	3	18	49.06	883.12
44	1.11.060090.64S	Profile 60x90, 6E, heavy	77.10	462.57	3	18	70.93	1,276.80
24	1.11.080080.03LP	Profile 80x80, 0E, light, plain	63.16	378.97	2	12	58.19	698.25
27	1.11.080080.38LP	Profile 80x80, 3E, 45 deg., light, plain	61.56	369.34	2	12	56.64	679.63
24	1.11.080080.42LP	Profile 80x80, 4E, corner, light, plain	59.51	357.05	2	12	54.75	657.02
24	1.11.080080.63LP	Profile 80x80, 6E, light, plain	57.90	347.42	2	12	53.31	639.73
24	1.11.080080.73SBP	Profile 80x80, 7E, heavy, B, plain	63.02	378.13	2	12	58.08	696.92
27	1.11.080080.78LP	Profile 80x80, 7E, 45 deg., light, plain	49.97	299.82	2	12	46.11	553.28
24	1.11.080080.79SP	Profile 80x80, 7E, heavy, plain	109.92	659.53	2	12	101.19	1,214.29
38	1.11.080080.83L	Profile 80x80, 8E, light	56.27	337.65	2	12	51.87	622.44
38	1.11.080080.83LB	Profile 80x80, 8E, light, B	62.30	373.81	2	12	57.30	687.61
24	1.11.080080.83LP	Profile 80x80, 8E, light, plain	56.27	337.65	2	12	51.87	622.44
38	1.11.080080.83S	Profile 80x80, 8E, heavy	75.91	455.46	2	12	69.94	839.23
24	1.11.080080.83SP	Profile 80x80, 8E, heavy, plain	75.91	455.46	2	12	69.94	839.23
38	1.11.080080.87S	Profile 80x80, 8E, angle, heavy	73.28	439.68	2	12	67.50	809.97
25	1.11.080120.104SP	Profile 80x120, 10E, heavy, plain	135.58	813.49	2	12	124.80	1,497.58
38	1.11.080160.124L	Profile 80x160, 12E, light	116.67	700.01	2	12	107.40	1,288.77
38	1.11.080160.124S	Profile 80x160, 12E, heavy	149.35	896.13	2	12	137.54	1,650.53
25	1.11.080160.124SP	Profile 80x160, 12E, heavy, plain	149.35	896.13	2	12	137.54	1,650.53
25	1.11.080160.84LP	Profile 80x160, 8E, light, plain	127.07	762.41	2	12	117.04	1,404.48
25	1.11.080160.89SP	Profile 80x160, 8E, heavy, plain	100.10	600.63	2	12	92.10	1,105.23
40	1.11.090090.83L	Profile 90x90, 8E, light	63.91	383.44	2	12	58.85	706.23
30	1.11.090090.83LP	Profile 90x90, 8E, light, plain	63.91	383.44	2	12	58.85	706.23
40	1.11.090090.83S	Profile 90x90, 8E, heavy	108.32	649.90	2	12	99.64	1,195.67
30	1.11.090090.83SP	Profile 90x90, 8E, heavy, plain	108.32	649.90	2	12	99.64	1,195.67
43	1.11.100100.83L	Profile 100x100, 8E, light	83.68	502.09	2	12	77.03	924.35
43	1.11.100100.83S	Profile 100x100, 8E, heavy	134.84	809.03	2	12	124.13	1,489.60
31	1.11.100200.124SP	Profile 100x200, 12E, heavy, plain	227.99	1,367.92	2	12	209.81	2,517.69
25	1.11.120120.123SP	Profile 120x120, 12E, heavy, plain	161.80	970.81	2	12	148.85	1,786.19
80	1.12.xxx	Profile for cable guide, slotted 8 mm price per m for profile + price per m for machining	m	4.19				
81	1.13.xxx	Profile for cable guide, slotted 10 mm or 14 mm price per m for profile + price per m for machining	m	4.19				

□.□□.□□□□□□.□□□□.60 = 1 bar / .61 = 1 PU

Page	Article-No.	Description	bar 6 m		Packing Unit (PU)			
			\$/m	\$/bar	bars/PU	m/PU	\$/m	\$/PU
45	1.14.030030.03LP0	Panel profile 30x30, 0F, light, plain	13.24	79.43	10	60	12.19	731.50
45	1.14.030030.22LP4	Panel profile 30x30, 2F, corner, light, plain, slot 4 mm	12.77	76.63	10	60	11.75	704.90
45	1.14.030030.23LP5	Panel profile 30x30, 2F, light, plain, slot 5 mm	13.87	83.24	10	60	12.75	764.75
45	1.14.030030.23LP6	Panel profile 30x30, 2F, light, plain, slot 6 mm	11.59	69.52	10	60	10.66	639.73
45	1.14.030030.33LP4	Panel profile 30x30, 3F, light, plain, slot 4 mm	12.77	76.63	10	60	11.75	704.90
45	1.14.030050.24LP5	Panel profile 30x50, 2F, light, plain, slot 5 mm	21.04	126.22	6	36	19.36	696.92
45	1.14.030050.34LP4	Panel profile 30x50, 3F, light, plain, slot 4 mm	19.98	119.90	6	36	18.44	663.67
46	1.14.040040.22LP4	Panel profile 40x40, 2E, corner, light, plain, slot 4 mm	26.52	159.12	8	48	24.44	1,173.06
46	1.14.040040.33LP4	Panel profile 40x40, 3E, light, plain, slot 4 mm	24.40	146.42	8	48	22.47	1,078.63
46	1.14.040060.34LP4	Panel profile 40x60, 3E, corner, light, plain, slot 4 mm	31.08	186.48	8	48	28.62	1,373.89
47	1.14.050050.22LP4	Panel profile 50x50, 2E, corner, light, plain, slot 4 mm	32.92	197.51	6	36	30.29	1,090.60
47	1.14.050050.39LP4	Panel profile 50x50, 3E, light, plain, slot 4 mm	35.15	210.91	6	36	32.36	1,165.08
46	1.14.060080.54LP4	Panel profile 60x80, 5E, light, plain, slot 4 mm	47.48	284.89	4	24	43.72	1,049.37
46	1.14.060080.64LP4	Panel profile 60x80, 6E, light, plain, slot 4 mm	49.97	299.82	4	24	46.00	1,103.90
48	1.15.030030.23LP7	Wire net profile 30x30, 2F, light, plain, slot 7.5 mm	12.03	72.17	10	60	11.08	665.00
48	1.15.030045.24LP7	Wire net profile 30x45, 2F, light, plain, slot 7.5 mm	16.56	99.38	8	48	15.27	732.83
48	1.15.040040.23LP7	Wire net profile 40x40, 2E, light, plain, slot 7.5 mm	19.05	114.31	8	48	17.54	841.89
48	1.15.040060.34LP7	Wire net profile 40x60, 2E, 1F, light, plain, slot 7.5 mm	27.13	162.75	8	48	24.99	1,199.66
49	1.17.030060.04LP	Tube profile 30x60, light, plain	16.33	97.98	6	36	15.04	541.31
49	1.17.030100.04LP	Tube profile 30x100, light, plain	24.54	147.26	4	24	22.61	542.64
50	5.11.063R00.00SBP	Roller profile 60/31, heavy, B, plain	44.99	269.95	4	24	41.40	993.51
50	5.11.103R00.00SBP	Roller profile 103/53, heavy, B, plain	92.34	554.01	2	12	85.01	1,020.11
50	5.11.152R00.00SBP	Roller profile 152/75, heavy, B, plain	164.48	986.86				
51	9.11.080080.83SBP	Telescopic profile 80x80, 8E, heavy, B, plain	74.44	446.67				
51	9.11.120120.123SP	Telescopic profile 120x120, 12E, heavy, plain	111.69	670.13				
51	9.11.160160.163SP	Telescopic profile 160x160, 16E, heavy, plain	161.66	969.97				

Page	Article-No.	Description	bar		
			length (m)	\$/m	\$/bar
52	1.19.1101120.60	Profile pre-cut lid 120	6	27.54	165.27
52	1.19.110130.60	Profile pre-cut lid 30	6	8.07	48.44
52	1.19.110140.60	Profile pre-cut lid 40	6	11.28	67.70
52	1.19.110150.60	Profile pre-cut lid 50	6	13.05	78.31
52	1.19.12120.60	Hollow profile Ø20	6	34.29	205.75
52	1.19.12130.60	Hollow profile Ø30	6	61.42	368.50
52	1.19.12140.60	Hollow profile Ø40	6	81.93	491.61
52	1.19.13120.60	Base profile Ø20	6	58.18	349.10
52	1.19.13130.60	Base profile Ø30	6	92.20	553.17
52	1.19.13140.60	Base profile Ø40	6	122.81	736.86
53	1.19.141048.60	Angle profile 48x48	6	24.78	148.65
53	1.19.141060.60	Angle profile 60x60	6	27.40	164.43
53	1.19.141100.60	Angle profile 100x100	6	50.41	302.48
53	1.19.14230.60	Wire net mounting profile	6	6.89	41.32
53	1.19.1423310.60	Wire net mounting profile 33x10	6	9.37	56.25
53	1.19.14319.60	Grab handle profile	6	6.75	40.49
53	1.19.14330.60	Grab handle profile	6	9.96	59.74
238	1.19.14330A	Cover cap kit left/right for grab handle profile	kit	4.56	
54	1.19.14425.60	U-profile 25x25x2	6	8.21	49.28
54	1.19.14440.60	U-Profile 40	6	18.47	110.83
54	1.19.1444590.60	U-Profile 45x90	6	30.66	183.98
54	1.19.14532.60	C-track	6	14.35	86.12
54	1.19.15130.60	Sliding profile 30x14	6	7.91	47.45
54	1.19.15131.60	Sliding profile 30x26	6	8.79	52.76
54	1.19.15133.60	Sliding profile 33x14	6	9.68	58.07

□.□□.□□□□□□.□□□□.60 = 1 bar / .61 = 1 PU / .99 = PU of 100 pieces

Page	Article-No.	Description	bar		
			length (m)	\$/m	\$/bar
54	1.19.15134.60	Sliding profile 33x26	6	15.68	94.08
54	1.19.15150.60	Sliding profile 50x14	6	13.77	82.63
54	1.19.15530.60	Panel framing profile 30x8,5	6	7.91	47.45
55	1.19.16120.60	Tube Ø20x2	6	6.75	40.49
55	1.19.16130.60	Tube Ø30x3	6	12.75	76.49
55	1.19.16140.60	Tube Ø40x4	6	21.68	130.09
55	1.19.1702002.60	Hinge profile, type A, PG 20 - 1.5	6	5.72	34.34
55	1.19.1703002.60	Hinge profile, type A, PG 30 - 1.5	6	6.30	37.83
56	1.19.1703003.60	Hinge profile, type A, PG 30 - 3.0	6	7.54	45.22
55	1.19.1704002.60	Hinge profile, type A, PG 40 - 1.5	6	6.75	40.49
56	1.19.1704003.60	Hinge profile, type A, PG 40 - 3.0	6	8.65	51.92
55	1.19.1705002.60	Hinge profile, type A, PG 50 - 1.5	6	7.19	43.13
56	1.19.1705003.60	Hinge profile, type A, PG 50 - 3.0	6	9.96	59.74
55	1.19.1714002.60	Hinge profile, type B, 40 mm - 2.0	6	6.00	36.02
55	1.19.1715002.60	Hinge profile, type B, 50 mm - 2.0	6	7.91	47.45
56	1.19.1715003.60	Hinge profile, type B, 50 mm - 3.0	6	9.96	59.74
55	1.19.1723002.60	Hinge profile, type C, 30 mm - 2.0	6	7.47	44.81
55	1.19.174160.60	Hinge profile Ø12	6	16.19	97.16
56	1.19.1832E.30	T-Slot profile, steel, E	3	15.68	47.04
56	1.19.1832F.30	T-Slot profile, steel, F	3	7.03	21.08
56	1.19.1834E.30	T-Slot profile, steel, for subsequent insertion E	3	11.31	33.92
56	1.19.1834F.30	T-Slot profile, steel, for subsequent insertion F	3	5.26	15.77
56	1.19.1842E.20	T-Slot profile, PA, E	2	25.48	50.95
56	1.19.1842F.20	T-Slot profile, PA, F	2	33.29	66.58
57	1.19.185E3E3.20	Slide-slot profile, PA, E3	2	56.11	112.23
57	1.19.185E3E4.20	Slide-slot profile, PA, E3/E4	2	56.11	112.23
57	1.19.185E4E4.20	Slide-slot profile, PA, E4	2	59.95	119.90
57	1.19.185F2E3.20	Slide-slot profile, PA, F/E3	2	56.11	112.23
57	1.19.185F2E4.20	Slide-slot profile, PA, F/E4	2	56.11	112.23
57	1.19.185F2F2.20	Slide-slot profile, PA, F	2	52.48	104.96
57	1.19.19030.60	19" profile, PG 30	6	13.05	78.31
57	1.19.19040.60	19" profile, PG 40	6	14.35	86.12
57	1.19.19050.60	19" profile, PG 50	6	15.68	94.08

Page	Article-No.	Description	bar 6 m		Packing Unit (PU)			
			\$/m	\$/bar	bars/PU	m/PU	\$/m	\$/PU
58	1.19.204020G	E-trunking profile 40x20	5.72	34.34	16	96	5.28	506.73
58	1.19.204040G	E-trunking profile 40x40	8.79	52.76	8	48	8.12	389.69
58	1.19.204080G	E-trunking profile 40x80	19.94	119.62	4	24	18.40	441.56
58	1.19.2040D	E-trunking profile, lid 40	5.75	34.47	8	48	5.29	254.03
58	1.19.208040G	E-trunking profile 80x40	14.07	84.44	4	24	12.97	311.22
58	1.19.208080G	E-trunking profile 80x80	24.43	146.57	2	12	22.50	269.99
58	1.19.2080D	E-trunking profile, lid 80	9.89	59.32	4	24	9.14	219.45
58	1.19.214020G	E-trunking profile 40x20, Clips	9.10	54.58	16	96	8.38	804.65
59	1.19.220050G	E-trunking profile 200x50	40.90	245.39	2	12	37.68	452.20
59	1.19.2200D	E-trunking profile, lid 200	28.43	170.57	2	12	26.16	313.88

Page	Article-No.	Description	1 Piece	PU = 100 Pcs	
			\$/Piece	\$/Piece	\$/PU
Connectors for profiles with core hole-Ø 6 mm					
94	1.20.2E0	Connector, universal	3.06	2.751	275.12
94	1.20.2F0	Connector, universal	3.06	2.751	275.12
94	1.20.2FK1	Connector, oblique-hinge l. + r.	6.01	5.414	541.44
94	1.20.2FK2	Connector, oblique 90 deg.-hinge	6.01	5.414	541.44
94	1.20.2G1	Connector, miter-hinge l. + r.	7.46	6.721	672.09
94	1.20.2G2	Connector, miter 90 deg.-hinge l. + r.	7.46	6.721	672.09

□.□□.□□□□□□□□.□□□□.60 = 1 bar / .61 = 1 PU / .99 = PU of 100 pieces

Page	Article-No.	Description	1 Piece	PU = 100 Pcs	
			\$/Piece	\$/Piece	\$/PU
94	1.20.2H0	Connector, universal	3.06	2.751	275.12
94	1.20.2H0V	Connector, universal, stainless	7.57	6.809	680.89
94	1.20.2HK1	Connector, oblique-hinge l. + r.	6.01	5.414	541.44
94	1.20.2HK2	Connector, oblique 90 deg.-hinge	6.01	5.414	541.44
95	1.20.2S2M4/7	Connector, screw-type, M4x7	3.06	2.751	275.12
95	1.20.2S2M4/7V	Connector, screw-type, M4x7, stainless	5.99	5.389	538.93
95	1.20.2S2M5/7	Connector, screw-type, M5x7	3.06	2.751	275.12
95	1.20.2S2M6/7	Connector, screw-type, M6x7	3.06	2.751	275.12
94	1.20.2V0	Connector, profile extension	4.51	4.058	405.77
94	1.20.2V0V	Connector, profile extension, stainless	9.64	8.681	868.06
105	1.20.A2E0	Anchor, universal	1.61	1.445	144.46
105	1.20.A2F0	Anchor, universal	1.61	1.445	144.46
105	1.20.A2FK1	Anchor, oblique-hinge l. + r.	4.56	4.108	410.80
105	1.20.A2FK2	Anchor, oblique 90 deg.-hinge	4.56	4.108	410.80
105	1.20.A2G1	Anchor, miter-hinge l. + r.	4.56	4.108	410.80
105	1.20.A2G2	Anchor, miter 90 deg.-hinge l. + r.	4.56	4.108	410.80
105	1.20.A2H0	Anchor, universal	1.61	1.445	144.46
105	1.20.A2H0V	Anchor, universal, stainless	3.94	3.543	354.26
105	1.20.A2HK1	Anchor, oblique-hinge l. + r.	4.56	4.108	410.80
105	1.20.A2HK2	Anchor, oblique 90 deg.-hinge	4.56	4.108	410.80
	1.20.A2J5	Anchor for Item 5	1.61	1.445	144.46
105	1.20.A2S2M4/7	Anchor, screw-type, M4x7	1.61	1.445	144.46
105	1.20.A2S2M4/7V	Anchor, screw-type, M4x7, stainless	2.37	2.136	213.56
105	1.20.A2S2M5/7	Anchor, screw-type, M5x7	1.61	1.445	144.46
105	1.20.A2S2M6/7	Anchor, screw-type, M6x7	1.61	1.445	144.46
105	1.20.A2V0	Anchor, profile extension	1.61	1.445	144.46
105	1.20.A2V0V	Anchor, profile extension, stainless	2.41	2.161	216.07
102	1.20.B21	Cross bushing PG 20, H, incl. setscrew	1.45	1.306	130.65
102	1.20.B21V	Cross bushing PG 20, H, stainless, incl. setscrew	3.63	3.266	326.62
102	1.20.B22	Cross bushing PG 20, F 1.5x45 deg., incl. setscrew	1.45	1.306	130.65
	1.20.G0608	Setscrew, special, M6x8	0.21	0.190	19.05
	1.20.G0608V	Setscrew, special, M6x8, stainless	0.49	0.440	43.97

Connectors for profiles with core hole-Ø 12 mm, PG 20

98	1.21.2/3E5	Connector, parallel-cross	3.06	2.751	275.12
98	1.21.2/3F5	Connector, parallel-cross	3.06	2.751	275.12
100	1.21.2/3S5M8/11	Connector, screw-type, parallel-cross, M8x11	3.06	2.751	275.12
	1.21.2/5F5	Connector, parallel, cross	3.06	2.751	275.12
96	1.21.20E40	Connector, square head, universal	4.75	4.271	427.13
96	1.21.20F41	Connector, square head, standard	4.75	4.271	427.13
96	1.21.20F42	Connector, square head, standard 90 deg.	4.75	4.271	427.13
100	1.21.20S1M8/7	Connector, screw-type, M8x7	3.07	2.764	276.37
96	1.21.2E0	Connector, universal	3.06	2.751	275.12
96	1.21.2E0E	Connector, universal, grounding	3.86	3.467	346.73
96	1.21.2E0V	Connector, universal, stainless	9.18	8.254	825.36
96	1.21.2E1	Connector, standard	3.06	2.751	275.12
97	1.21.2E1B1L/□□	Connector, oblique-bent anchor standard l., /□□ deg.	4.67	4.196	419.59
97	1.21.2E1B1R/□□	Connector, oblique-bent anchor standard r., /□□ deg.	4.67	4.196	419.59
96	1.21.2E1E	Connector, standard, grounding	3.86	3.467	346.73
96	1.21.2E1V	Connector, standard, stainless	9.18	8.254	825.36
96	1.21.2E2	Connector, standard 90 deg.	3.06	2.751	275.12
97	1.21.2E2B2/□□	Connector, oblique 90 deg.-bent anchor 90 deg., /□□ deg.	4.67	4.196	419.59
96	1.21.2E2E	Connector, standard 90 deg., grounding	3.86	3.467	346.73
96	1.21.2E2V	Connector, standard 90 deg., stainless	9.18	8.254	825.36
	1.21.2E4.F	Connector, square head, with pressure spring and leaf spring	4.75	4.271	427.13
96	1.21.2EB1L/□□	Connector, oblique-bent anchor l., /□□ deg.	4.67	4.196	419.59
96	1.21.2EB1LE/□□	Connector, oblique-bent anchor l., grounding, /□□ deg.	5.43	4.887	488.68
97	1.21.2EB1R/□□	Connector, oblique-bent anchor r., /□□ deg.	4.67	4.196	419.59
97	1.21.2EB1RE/□□	Connector, oblique-bent anchor r., grounding, /□□ deg.	5.43	4.887	488.68
97	1.21.2EB2/□□	Connector, oblique 90 deg.-bent anchor, /□□ deg.	4.67	4.196	419.59
97	1.21.2EB2E/□□	Connector, oblique 90 deg.-bent anchor, grounding, /□□ deg.	5.43	4.887	488.68
96	1.21.2EK1	Connector, oblique-hinge l. + r.	6.05	5.452	545.21
96	1.21.2EK1V	Connector, oblique-hinge l. + r., stainless	9.32	8.392	839.18
97	1.21.2EK2	Connector, oblique 90 deg.-hinge	6.05	5.452	545.21

□.□□.□□□□□□.□□.99 = PU of 100 pieces

Page	Article-No.	Description	1 Piece	PU = 100 Pcs	
			\$/Piece	\$/Piece	\$/PU
97	1.21.2EK2V	Connector, oblique 90 deg.-hinge, stainless	9.32	8.392	839.18
97	1.21.2EK3	Connector, oblique-cross-hinge	6.05	5.452	545.21
97	1.21.2EK3V	Connector, oblique-cross-hinge, stainless	9.32	8.392	839.18
97	1.21.2EK4	Connector, oblique-cross-hinge 90 deg.	6.05	5.452	545.21
97	1.21.2EK4V	Connector, oblique-cross-hinge 90 deg., stainless	9.32	8.392	839.18
96	1.21.2F0	Connector, universal	3.06	2.751	275.12
96	1.21.2F0E	Connector, universal, grounding	3.86	3.467	346.73
96	1.21.2F0V	Connector, universal, stainless	8.39	7.550	755.00
96	1.21.2F1	Connector, standard	3.06	2.751	275.12
97	1.21.2F1B1L/□□	Connector, oblique-bent anchor standard l., /□□ deg.	4.67	4.196	419.59
97	1.21.2F1B1R/□□	Connector, oblique-bent anchor standard r., /□□ deg.	4.67	4.196	419.59
96	1.21.2F1E	Connector, standard, grounding	3.86	3.467	346.73
96	1.21.2F1V	Connector, standard, stainless	8.39	7.550	755.00
96	1.21.2F2	Connector, standard 90 deg.	3.06	2.751	275.12
97	1.21.2F2B2/□□	Connector, oblique 90 deg.-bent anchor 90 deg., /□□ deg.	4.67	4.196	419.59
96	1.21.2F2E	Connector, standard 90 deg., grounding	3.86	3.467	346.73
96	1.21.2F2V	Connector, standard 90 deg., stainless	8.39	7.550	755.00
96	1.21.2FB1L/□□	Connector, oblique-bent anchor l., /□□ deg.	4.67	4.196	419.59
96	1.21.2FB1LE/□□	Connector, oblique-bent anchor l., grounding, /□□ deg.	5.43	4.887	488.68
97	1.21.2FB1R/□□	Connector, oblique-bent anchor r., /□□ deg.	4.67	4.196	419.59
97	1.21.2FB1RE/□□	Connector, oblique-bent anchor r., grounding, /□□ deg.	5.43	4.887	488.68
97	1.21.2FB2/□□	Connector, oblique 90 deg.-bent anchor, /□□ deg.	4.67	4.196	419.59
97	1.21.2FB2E/□□	Connector, oblique 90 deg.-bent anchor, grounding, /□□ deg.	5.43	4.887	488.68
96	1.21.2FK1	Connector, oblique-hinge l. + r.	6.05	5.452	545.21
96	1.21.2FK1V	Connector, oblique-hinge l. + r., stainless	9.32	8.392	839.18
97	1.21.2FK2	Connector, oblique 90 deg.-hinge	6.05	5.452	545.21
97	1.21.2FK2V	Connector, oblique 90 deg.-hinge, stainless	9.32	8.392	839.18
97	1.21.2FK3	Connector, oblique-cross-hinge	6.05	5.452	545.21
97	1.21.2FK4	Connector, oblique-cross-hinge 90 deg.	6.05	5.452	545.21
99	1.21.2G1	Connector, miter-hinge l. + r.	7.57	6.809	680.89
99	1.21.2G1V	Connector, miter-hinge l. + r., stainless	12.99	11.696	1,169.58
99	1.21.2G2	Connector, miter 90 deg.-hinge l. + r.	7.57	6.809	680.89
99	1.21.2G2V	Connector, miter 90 deg.-hinge l. + r., stainless	12.99	11.696	1,169.58
99	1.21.2GB1/□□	Connector, miter-bent anchor l. + r., /□□ deg.	6.82	6.143	614.30
99	1.21.2GB2L/□□	Connector, miter 90 deg.-bent anchor l., /□□ deg.	6.82	6.143	614.30
99	1.21.2GB2R/□□	Connector, miter 90 deg.-bent anchor r., /□□ deg.	6.82	6.143	614.30
99	1.21.2GS	Connector, shifter	9.07	8.166	816.57
96	1.21.2H0	Connector, universal	3.06	2.751	275.12
100	1.21.2S1M6/11	Connector, screw-type, M6×11	3.06	2.751	275.12
100	1.21.2S1M8/11	Connector, screw-type, M8×11	3.06	2.751	275.12
100	1.21.2S1M8/11V	Connector, screw-type, M8×11, stainless	8.39	7.550	755.00
100	1.21.2S1M8/40	Connector, screw-type, M8×40	3.06	2.751	275.12
100	1.21.2S5M8/11	Connector, screw-type, parallel-square, M8×11	3.06	2.751	275.12
98	1.21.2V0	Connector, profile extension	6.16	5.540	554.01
98	1.21.2V0V	Connector, profile extension, stainless	13.33	11.997	1,199.73

Connectors for profiles with core hole-Ø 12 mm, PG 30

98	1.21.3/2E5	Connector, parallel-high	3.06	2.751	275.12
98	1.21.3/2F5	Connector, parallel-high	3.06	2.751	275.12
100	1.21.3/2S5M8/11	Connector, screw-type, parallel-high, M8×11	3.06	2.751	275.12
98	1.21.3/2V0	Connector, profile extension 30/20	6.16	5.540	554.01
98	1.21.3/2V0V	Connector, profile extension 30/20, stainless	13.33	11.997	1,199.73
	1.21.3/4S5M8/11	Connector, screw-type, parallel, M8×11	3.06	2.751	275.12
298	1.21.3/4S5M8/7	Connector, screw-type, parallel, M8×7	3.06	2.751	275.12
98	1.21.3/5E5	Connector, parallel-cross	3.06	2.751	275.12
98	1.21.3/5F5	Connector, parallel-cross	3.06	2.751	275.12
100	1.21.3/5S5M8/11	Connector, screw-type, parallel-cross, M8×11	3.06	2.751	275.12
96	1.21.30E40	Connector, square head, universal	4.75	4.271	427.13
96	1.21.30F41	Connector, square head, standard	4.75	4.271	427.13
96	1.21.30F42	Connector, square head, standard 90 deg.	4.75	4.271	427.13
100	1.21.30S1M8/7	Connector, screw-type, M8×7	3.07	2.764	276.37
	1.21.31/2F5	Connector, parallel-high	3.06	2.751	275.12
110	1.21.31E0	Connector, universal	3.06	2.751	275.12
110	1.21.31E5	Connector, parallel	3.06	2.751	275.12

□.□□.□□□□□□.□□.99 = PU of 100 pieces

Page	Article-No.	Description	1 Piece	PU = 100 Pcs	
			\$/Piece	\$/Piece	\$/PU
110	1.21.31F5	Connector, parallel	3.06	2.751	275.12
	1.21.34V0	Connector, profile extension	6.16	5.540	554.01
96	1.21.3E0	Connector, universal	3.06	2.751	275.12
96	1.21.3E0E	Connector, universal, grounding	3.86	3.467	346.73
96	1.21.3E0V	Connector, universal, stainless	9.18	8.254	825.36
96	1.21.3E1	Connector, standard	3.06	2.751	275.12
97	1.21.3E1B1L/□□	Connector, oblique-bent anchor standard l., /□□ deg.	4.67	4.196	419.59
97	1.21.3E1B1R/□□	Connector, oblique-bent anchor standard r., /□□ deg.	4.67	4.196	419.59
96	1.21.3E1E	Connector, standard, grounding	3.86	3.467	346.73
96	1.21.3E1V	Connector, standard, stainless	9.18	8.254	825.36
96	1.21.3E2	Connector, standard 90 deg.	3.06	2.751	275.12
98	1.21.3E2-5	Connector, parallel-square 90 deg.	3.06	2.751	275.12
97	1.21.3E2B2/□□	Connector, oblique 90 deg.-bent anchor 90 deg., /□□ deg.	4.67	4.196	419.59
96	1.21.3E2E	Connector, standard 90 deg., grounding	3.86	3.467	346.73
96	1.21.3E2V	Connector, standard 90 deg., stainless	9.18	8.254	825.36
98	1.21.3E5	Connector, parallel-square	3.06	2.751	275.12
96	1.21.3EB1L/□□	Connector, oblique-bent anchor l., /□□ deg.	4.67	4.196	419.59
96	1.21.3EB1LE/□□	Connector, oblique-bent anchor l., grounding, /□□ deg.	5.43	4.887	488.68
97	1.21.3EB1R/□□	Connector, oblique-bent anchor r., /□□ deg.	4.67	4.196	419.59
97	1.21.3EB1RE/□□	Connector, oblique-bent anchor r., grounding, /□□ deg.	5.43	4.887	488.68
97	1.21.3EB2/□□	Connector, oblique 90 deg.-bent anchor, /□□ deg.	4.67	4.196	419.59
97	1.21.3EB2E/□□	Connector, oblique 90 deg.-bent anchor, grounding, /□□ deg.	5.43	4.887	488.68
96	1.21.3EK1	Connector, oblique-hinge l. + r.	6.05	5.452	545.21
96	1.21.3EK1V	Connector, oblique-hinge l. + r., stainless	9.32	8.392	839.18
97	1.21.3EK2	Connector, oblique 90 deg.-hinge	6.05	5.452	545.21
97	1.21.3EK2V	Connector, oblique 90 deg.-hinge, stainless	9.32	8.392	839.18
97	1.21.3EK3	Connector, oblique-cross-hinge	6.05	5.452	545.21
97	1.21.3EK3V	Connector, oblique-cross-hinge, stainless	9.32	8.392	839.18
97	1.21.3EK4	Connector, oblique-cross-hinge 90 deg.	6.05	5.452	545.21
97	1.21.3EK4V	Connector, oblique-cross-hinge 90 deg., stainless	9.32	8.392	839.18
96	1.21.3F0	Connector, universal	3.06	2.751	275.12
96	1.21.3F0E	Connector, universal, grounding	3.86	3.467	346.73
96	1.21.3F0V	Connector, universal, stainless	8.39	7.550	755.00
96	1.21.3F1	Connector, standard	3.06	2.751	275.12
97	1.21.3F1B1L/□□	Connector, oblique-bent anchor standard l., /□□ deg.	4.67	4.196	419.59
97	1.21.3F1B1R/□□	Connector, oblique-bent anchor standard r., /□□ deg.	4.67	4.196	419.59
96	1.21.3F1E	Connector, standard, grounding	3.86	3.467	346.73
96	1.21.3F1V	Connector, standard, stainless	8.39	7.550	755.00
96	1.21.3F2	Connector, standard 90 deg.	3.06	2.751	275.12
97	1.21.3F2B2/□□	Connector, oblique 90 deg.-bent anchor 90 deg., /□□ deg.	4.67	4.196	419.59
96	1.21.3F2E	Connector, standard 90 deg., grounding	3.86	3.467	346.73
96	1.21.3F2V	Connector, standard 90 deg., stainless	8.39	7.550	755.00
98	1.21.3F5	Connector, parallel-square	3.06	2.751	275.12
96	1.21.3FB1L/□□	Connector, oblique-bent anchor l., /□□ deg.	4.67	4.196	419.59
96	1.21.3FB1LE/□□	Connector, oblique-bent anchor l., grounding, /□□ deg.	5.43	4.887	488.68
97	1.21.3FB1R/□□	Connector, oblique-bent anchor r., /□□ deg.	4.67	4.196	419.59
97	1.21.3FB1RE/□□	Connector, oblique-bent anchor r., grounding, /□□ deg.	5.43	4.887	488.68
97	1.21.3FB2/□□	Connector, oblique 90 deg.-bent anchor, /□□ deg.	4.67	4.196	419.59
97	1.21.3FB2E/□□	Connector, oblique 90 deg.-bent anchor, grounding, /□□ deg.	5.43	4.887	488.68
96	1.21.3FK1	Connector, oblique-hinge l. + r.	6.05	5.452	545.21
96	1.21.3FK1V	Connector, oblique-hinge l. + r., stainless	9.32	8.392	839.18
97	1.21.3FK2	Connector, oblique 90 deg.-hinge	6.05	5.452	545.21
97	1.21.3FK2V	Connector, oblique 90 deg.-hinge, stainless	9.32	8.392	839.18
97	1.21.3FK3	Connector, oblique-cross-hinge	6.05	5.452	545.21
97	1.21.3FK4	Connector, oblique-cross-hinge 90 deg.	6.05	5.452	545.21
99	1.21.3G1	Connector, miter-hinge l. + r.	7.57	6.809	680.89
99	1.21.3G1V	Connector, miter-hinge l. + r., stainless	12.99	11.696	1,169.58
99	1.21.3G2	Connector, miter 90 deg.-hinge l. + r.	7.57	6.809	680.89
99	1.21.3G2V	Connector, miter 90 deg.-hinge l. + r., stainless	12.99	11.696	1,169.58
99	1.21.3GB1/□□	Connector, miter-bent anchor l. + r., /□□ deg.	6.82	6.143	614.30
99	1.21.3GB2L/□□	Connector, miter 90 deg.-bent anchor l., /□□ deg.	6.82	6.143	614.30
99	1.21.3GB2R/□□	Connector, miter 90 deg.-bent anchor r., /□□ deg.	6.82	6.143	614.30
99	1.21.3GS	Connector, shifter	9.07	8.166	816.57
96	1.21.3H0	Connector, universal	3.06	2.751	275.12
100	1.21.3S1M6/11	Connector, screw-type, M6x11	3.06	2.751	275.12

□.□□.□□□□□□.□□.99 = PU of 100 pieces

Page	Article-No.	Description	1 Piece	PU = 100 Pcs	
			\$/Piece	\$/Piece	\$/PU
100	1.21.3S1M8/11	Connector, screw-type, M8×11	3.06	2.751	275.12
100	1.21.3S1M8/11V	Connector, screw-type, M8×11, stainless	8.39	7.550	755.00
100	1.21.3S1M8/40	Connector, screw-type, M8×40	3.06	2.751	275.12
100	1.21.3S5M8/11	Connector, screw-type, parallel-square, M8×11	3.06	2.751	275.12
100	1.21.3S5M8/7	Connector, screw-type, parallel-square, M8×7	3.06	2.751	275.12
98	1.21.3V0	Connector, profile extension	6.16	5.540	554.01
98	1.21.3V0V	Connector, profile extension, stainless	13.33	11.997	1,199.73
Connectors for profiles with core hole-Ø 12 mm, PG 40					
98	1.21.4/2V0	Connector, profile extension 40/20	6.16	5.540	554.01
98	1.21.4/2V0V	Connector, profile extension 40/20, stainless	13.33	11.997	1,199.73
98	1.21.4/3V0	Connector, profile extension 40/30	6.16	5.540	554.01
98	1.21.4/3V0V	Connector, profile extension 40/30, stainless	13.33	11.997	1,199.73
298	1.21.4/5S5M8/11	Connector, screw-type, parallel, M8×11	3.06	2.751	275.12
96	1.21.40E40	Connector, square head, universal	4.75	4.271	427.13
96	1.21.40F41	Connector, square head, standard	4.75	4.271	427.13
96	1.21.40F42	Connector, square head, standard 90 deg.	4.75	4.271	427.13
96	1.21.40H0	Connector, universal, H	3.06	2.751	275.12
112	1.21.40RE0	Connector, universal with knurled cross bushing	4.16	3.744	374.37
100	1.21.40S1M8/7	Connector, screw-type, M8×7	3.07	2.764	276.37
111	1.21.40V040	Connector extension / parallel	6.16	5.540	554.01
	1.21.44V0	Connector, profile extension	6.16	5.540	554.01
96	1.21.4E0	Connector, universal	3.06	2.751	275.12
96	1.21.4E0E	Connector, universal, grounding	3.86	3.467	346.73
96	1.21.4E0V	Connector, universal, stainless	9.18	8.254	825.36
96	1.21.4E1	Connector, standard	3.06	2.751	275.12
97	1.21.4E1B1L/□□	Connector, oblique-bent anchor standard l., /□□ deg.	4.67	4.196	419.59
97	1.21.4E1B1R/□□	Connector, oblique-bent anchor standard r., /□□ deg.	4.67	4.196	419.59
96	1.21.4E1E	Connector, standard, grounding	3.86	3.467	346.73
96	1.21.4E1V	Connector, standard, stainless	9.18	8.254	825.36
96	1.21.4E2	Connector, standard 90 deg.	3.06	2.751	275.12
97	1.21.4E2B2/□□	Connector, oblique 90 deg.-bent anchor 90 deg., /□□ deg.	4.67	4.196	419.59
96	1.21.4E2E	Connector, standard 90 deg., grounding	3.86	3.467	346.73
96	1.21.4E2V	Connector, standard 90 deg., stainless	9.18	8.254	825.36
98	1.21.4E5	Connector, parallel-square	3.06	2.751	275.12
96	1.21.4EB1L/□□	Connector, oblique-bent anchor l., /□□ deg.	4.67	4.196	419.59
96	1.21.4EB1LE/□□	Connector, oblique-bent anchor l., grounding, /□□ deg.	5.43	4.887	488.68
97	1.21.4EB1R/□□	Connector, oblique-bent anchor r., /□□ deg.	4.67	4.196	419.59
97	1.21.4EB1RE/□□	Connector, oblique-bent anchor r., grounding, /□□ deg.	5.43	4.887	488.68
97	1.21.4EB2/□□	Connector, oblique 90 deg.-bent anchor, /□□ deg.	4.67	4.196	419.59
97	1.21.4EB2E/□□	Connector, oblique 90 deg.-bent anchor, grounding, /□□ deg.	5.43	4.887	488.68
96	1.21.4EK1	Connector, oblique-hinge l. + r.	6.05	5.452	545.21
96	1.21.4EK1V	Connector, oblique-hinge l. + r., stainless	9.32	8.392	839.18
97	1.21.4EK2	Connector, oblique 90 deg.-hinge	6.05	5.452	545.21
97	1.21.4EK2V	Connector, oblique 90 deg.-hinge, stainless	9.32	8.392	839.18
97	1.21.4EK3	Connector, oblique-cross-hinge	6.05	5.452	545.21
97	1.21.4EK3V	Connector, oblique-cross-hinge, stainless	9.32	8.392	839.18
97	1.21.4EK4	Connector, oblique-cross-hinge 90 deg.	6.05	5.452	545.21
97	1.21.4EK4V	Connector, oblique-cross-hinge 90 deg., stainless	9.32	8.392	839.18
96	1.21.4F0	Connector, universal	3.06	2.751	275.12
96	1.21.4F0E	Connector, universal, grounding	3.86	3.467	346.73
96	1.21.4F0V	Connector, universal, stainless	8.39	7.550	755.00
96	1.21.4F1	Connector, standard	3.06	2.751	275.12
97	1.21.4F1B1L/□□	Connector, oblique-bent anchor standard l., /□□ deg.	4.67	4.196	419.59
97	1.21.4F1B1R/□□	Connector, oblique-bent anchor standard r., /□□ deg.	4.67	4.196	419.59
96	1.21.4F1E	Connector, standard, grounding	3.86	3.467	346.73
96	1.21.4F1V	Connector, standard, stainless	8.39	7.550	755.00
96	1.21.4F2	Connector, standard 90 deg.	3.06	2.751	275.12
97	1.21.4F2B2/□□	Connector, oblique 90 deg.-bent anchor 90 deg., /□□ deg.	4.67	4.196	419.59
96	1.21.4F2E	Connector, standard 90 deg., grounding	3.86	3.467	346.73
96	1.21.4F2V	Connector, standard 90 deg., stainless	8.39	7.550	755.00
98	1.21.4F5	Connector, parallel-square	3.06	2.751	275.12
96	1.21.4FB1L/□□	Connector, oblique-bent anchor l., /□□ deg.	4.67	4.196	419.59
96	1.21.4FB1LE/□□	Connector, oblique-bent anchor l., grounding, /□□ deg.	5.43	4.887	488.68

□.□□.□□□□□□.□□.99 = PU of 100 pieces

Page	Article-No.	Description	1 Piece	PU = 100 Pcs	
			\$/Piece	\$/Piece	\$/PU
97	1.21.4FB1R/□□	Connector, oblique-bent anchor r., /□□ deg.	4.67	4.196	419.59
97	1.21.4FB1RE/□□	Connector, oblique-bent anchor r., grounding, /□□ deg.	5.43	4.887	488.68
97	1.21.4FB2/□□	Connector, oblique 90 deg.-bent anchor, /□□ deg.	4.67	4.196	419.59
97	1.21.4FB2E/□□	Connector, oblique 90 deg.-bent anchor, grounding, /□□ deg.	5.43	4.887	488.68
96	1.21.4FK1	Connector, oblique-hinge l. + r.	6.05	5.452	545.21
96	1.21.4FK1V	Connector, oblique-hinge l. + r., stainless	9.86	8.869	886.91
97	1.21.4FK2	Connector, oblique 90 deg.-hinge	6.05	5.452	545.21
97	1.21.4FK2V	Connector, oblique 90 deg.-hinge, stainless	9.32	8.392	839.18
97	1.21.4FK3	Connector, oblique-cross-hinge	6.05	5.452	545.21
97	1.21.4FK4	Connector, oblique-cross-hinge 90 deg.	6.05	5.452	545.21
99	1.21.4G1	Connector, miter-hinge l. + r.	7.57	6.809	680.89
99	1.21.4G1V	Connector, miter-hinge l. + r., stainless	12.99	11.696	1,169.58
99	1.21.4G2	Connector, miter 90 deg.-hinge l. + r.	7.57	6.809	680.89
99	1.21.4G2V	Connector, miter 90 deg.-hinge l. + r., stainless	12.99	11.696	1,169.58
99	1.21.4GB1/□□	Connector, miter-bent anchor l. + r., /□□ deg.	6.82	6.143	614.30
99	1.21.4GB2L/□□	Connector, miter 90 deg.-bent anchor l., /□□ deg.	6.82	6.143	614.30
99	1.21.4GB2R/□□	Connector, miter 90 deg.-bent anchor r., /□□ deg.	6.82	6.143	614.30
99	1.21.4GS	Connector, shifter	9.07	8.166	816.57
100	1.21.4S1M6/11	Connector, screw-type, M6×11	3.06	2.751	275.12
100	1.21.4S1M8/11	Connector, screw-type, M8×11	3.06	2.751	275.12
100	1.21.4S1M8/11V	Connector, screw-type, M8×11, stainless	8.33	7.487	748.72
100	1.21.4S1M8/40	Connector, screw-type, M8×40	3.06	2.751	275.12
100	1.21.4S5M8/11	Connector, screw-type, parallel-square, M8×11	3.06	2.751	275.12
100	1.21.4S5M8/7	Connector, screw-type, parallel-square, M8×7	3.06	2.751	275.12
98	1.21.4V0	Connector, profile extension	6.16	5.540	554.01
98	1.21.4V0V	Connector, profile extension, stainless	13.33	11.997	1,199.73

Connectors for profiles with core hole-Ø 12 mm, PG 45

98	1.21.45/2V0	Connector, profile extension 45/20	6.16	5.540	554.01
98	1.21.45/2V0V	Connector, profile extension 45/20, stainless	13.33	11.997	1,199.73
98	1.21.45/3V0	Connector, profile extension 45/30	6.16	5.540	554.01
98	1.21.45/3V0V	Connector, profile extension 45/30, stainless	13.33	11.997	1,199.73
98	1.21.45/4V0	Connector, profile extension 45/40	6.16	5.540	554.01
98	1.21.45/4V0V	Connector, profile extension 45/40, stainless	13.33	11.997	1,199.73
298	1.21.45/55S5M8/11	Connector, screw-type, parallel, M8×11	3.06	2.751	275.12
96	1.21.45E0	Connector, universal	3.06	2.751	275.12
96	1.21.45E0E	Connector, universal, grounding	3.86	3.467	346.73
96	1.21.45E0V	Connector, universal, stainless	9.18	8.254	825.36
96	1.21.45E1	Connector, standard	3.06	2.751	275.12
97	1.21.45E1B1L/□□	Connector, oblique-bent anchor standard l., /□□ deg.	4.67	4.196	419.59
97	1.21.45E1B1R/□□	Connector, oblique-bent anchor standard r., /□□ deg.	4.67	4.196	419.59
96	1.21.45E1E	Connector, standard, grounding	3.86	3.467	346.73
96	1.21.45E1V	Connector, standard, stainless	9.18	8.254	825.36
96	1.21.45E2	Connector, standard 90 deg.	3.06	2.751	275.12
97	1.21.45E2B2/□□	Connector, oblique 90 deg.-bent anchor 90 deg., /□□ deg.	4.67	4.196	419.59
96	1.21.45E2E	Connector, standard 90 deg., grounding	3.86	3.467	346.73
96	1.21.45E2V	Connector, standard 90 deg., stainless	9.18	8.254	825.36
96	1.21.45E40	Connector, square head, universal	4.75	4.271	427.13
98	1.21.45E5	Connector, parallel-square	3.06	2.751	275.12
96	1.21.45EB1L/□□	Connector, oblique-bent anchor l., /□□ deg.	4.67	4.196	419.59
96	1.21.45EB1LE/□□	Connector, oblique-bent anchor l., grounding, /□□ deg.	5.43	4.887	488.68
97	1.21.45EB1R/□□	Connector, oblique-bent anchor r., /□□ deg.	4.67	4.196	419.59
97	1.21.45EB1RE/□□	Connector, oblique-bent anchor r., grounding, /□□ deg.	5.43	4.887	488.68
97	1.21.45EB2/□□	Connector, oblique 90 deg.-bent anchor, /□□ deg.	4.67	4.196	419.59
97	1.21.45EB2E/□□	Connector, oblique 90 deg.-bent anchor, grounding, /□□ deg.	5.43	4.887	488.68
96	1.21.45EK1	Connector, oblique-hinge l. + r.	6.05	5.452	545.21
96	1.21.45EK1V	Connector, oblique-hinge l. + r., stainless	9.32	8.392	839.18
97	1.21.45EK2	Connector, oblique 90 deg.-hinge	6.05	5.452	545.21
97	1.21.45EK2V	Connector, oblique 90 deg.-hinge, stainless	9.32	8.392	839.18
97	1.21.45EK3	Connector, oblique-cross-hinge	6.05	5.452	545.21
97	1.21.45EK3V	Connector, oblique-cross-hinge, stainless	9.32	8.392	839.18
97	1.21.45EK4	Connector, oblique-cross-hinge 90 deg.	6.05	5.452	545.21
97	1.21.45EK4V	Connector, oblique-cross-hinge 90 deg., stainless	9.32	8.392	839.18
96	1.21.45F0	Connector, universal	3.06	2.751	275.12

□.□□.□□□□□□.□□.99 = PU of 100 pieces

Page	Article-No.	Description	1 Piece	PU = 100 Pcs	
			\$/Piece	\$/Piece	\$/PU
96	1.21.45F0E	Connector, universal, grounding	3.86	3.467	346.73
96	1.21.45F0V	Connector, universal, stainless	8.39	7.550	755.00
96	1.21.45F1	Connector, standard	3.06	2.751	275.12
97	1.21.45F1B1L/□□	Connector, oblique-bent anchor standard l., /□□ deg.	4.67	4.196	419.59
97	1.21.45F1B1R/□□	Connector, oblique-bent anchor standard r., /□□ deg.	4.67	4.196	419.59
96	1.21.45F1E	Connector, standard, grounding	3.86	3.467	346.73
96	1.21.45F1V	Connector, standard, stainless	8.39	7.550	755.00
96	1.21.45F2	Connector, standard 90 deg.	3.06	2.751	275.12
97	1.21.45F2B2/□□	Connector, oblique 90 deg.-bent anchor 90 deg., /□□ deg.	4.67	4.196	419.59
96	1.21.45F2E	Connector, standard 90 deg., grounding	3.86	3.467	346.73
96	1.21.45F2V	Connector, standard 90 deg., stainless	8.39	7.550	755.00
96	1.21.45F41	Connector, square head, standard	4.75	4.271	427.13
96	1.21.45F42	Connector, square head, standard 90 deg.	4.75	4.271	427.13
98	1.21.45F5	Connector, parallel-square	3.06	2.751	275.12
96	1.21.45FB1L/□□	Connector, oblique-bent anchor l., /□□ deg.	4.67	4.196	419.59
96	1.21.45FB1LE/□□	Connector, oblique-bent anchor l., grounding, /□□ deg.	5.43	4.887	488.68
97	1.21.45FB1R/□□	Connector, oblique-bent anchor r., /□□ deg.	4.67	4.196	419.59
97	1.21.45FB1RE/□□	Connector, oblique-bent anchor r., grounding, /□□ deg.	5.43	4.887	488.68
97	1.21.45FB2/□□	Connector, oblique 90 deg.-bent anchor, /□□ deg.	4.67	4.196	419.59
97	1.21.45FB2E/□□	Connector, oblique 90 deg.-bent anchor, grounding, /□□ deg.	5.43	4.887	488.68
96	1.21.45FK1	Connector, oblique-hinge l. + r.	6.05	5.452	545.21
96	1.21.45FK1V	Connector, oblique-hinge l. + r., stainless	9.32	8.392	839.18
97	1.21.45FK2	Connector, oblique 90 deg.-hinge	6.05	5.452	545.21
97	1.21.45FK2V	Connector, oblique 90 deg.-hinge, stainless	9.32	8.392	839.18
97	1.21.45FK3	Connector, oblique-cross-hinge	6.05	5.452	545.21
97	1.21.45FK4	Connector, oblique-cross-hinge 90 deg.	6.05	5.452	545.21
99	1.21.45G1	Connector, miter-hinge l. + r.	7.57	6.809	680.89
99	1.21.45G1V	Connector, miter-hinge l. + r., stainless	12.99	11.696	1,169.58
99	1.21.45G2	Connector, miter 90 deg.-hinge l. + r.	7.57	6.809	680.89
99	1.21.45G2V	Connector, miter 90 deg.-hinge l. + r., stainless	12.99	11.696	1,169.58
99	1.21.45GB1/□□	Connector, miter-bent anchor l. + r., /□□ deg.	6.82	6.143	614.30
99	1.21.45GB2L/□□	Connector, miter 90 deg.-bent anchor l., /□□ deg.	6.82	6.143	614.30
99	1.21.45GB2R/□□	Connector, miter 90 deg.-bent anchor r., /□□ deg.	6.82	6.143	614.30
99	1.21.45GS	Connector, shifter	9.07	8.166	816.57
96	1.21.45H0	Connector, universal, H	3.06	2.751	275.12
100	1.21.45S1M6/11	Connector, screw-type, M6×11	3.06	2.751	275.12
100	1.21.45S1M8/11	Connector, screw-type, M8×11	3.06	2.751	275.12
100	1.21.45S1M8/11V	Connector, screw-type, M8×11, stainless	6.21	5.590	559.03
100	1.21.45S1M8/40	Connector, screw-type, M8×40	3.06	2.751	275.12
100	1.21.45S1M8/7	Connector, screw-type, M8×7	3.07	2.764	276.37
100	1.21.45S5M8/11	Connector, screw-type, parallel-square, M8×11	3.06	2.751	275.12
98	1.21.45V0	Connector, profile extension	6.16	5.540	554.01
98	1.21.45V0V	Connector, profile extension, stainless	13.33	11.997	1,199.73

Connectors for profiles with core hole-Ø 12 mm, PG 50

98	1.21.5/2V0	Connector, profile extension 50/20	6.16	5.540	554.01
98	1.21.5/2V0V	Connector, profile extension 50/20, stainless	13.33	11.997	1,199.73
98	1.21.5/3E2-5	Connector, parallel-high 90 deg.	3.06	2.751	275.12
98	1.21.5/3E5	Connector, parallel-high	3.06	2.751	275.12
98	1.21.5/3F5	Connector, parallel-high	3.06	2.751	275.12
100	1.21.5/3S5M8/11	Connector, screw-type, parallel-high, M8×11	3.06	2.751	275.12
98	1.21.5/3V0	Connector, profile extension 50/30	6.16	5.540	554.01
98	1.21.5/3V0V	Connector, profile extension 50/30, stainless	13.33	11.997	1,199.73
98	1.21.5/45V0	Connector, profile extension 50/45	6.16	5.540	554.01
98	1.21.5/45V0V	Connector, profile extension 50/45, stainless	13.33	11.997	1,199.73
98	1.21.5/4V0	Connector, profile extension 50/40	6.16	5.540	554.01
98	1.21.5/4V0V	Connector, profile extension 50/40, stainless	13.33	11.997	1,199.73
298	1.21.5/6S5M8/11	Connector, screw-type, parallel, M8×11	3.06	2.751	275.12
111	1.21.50/30V040	Connector extension / parallel	6.16	5.540	554.01
96	1.21.50E40	Connector, square head, universal	4.75	4.271	427.13
96	1.21.50F41	Connector, square head, standard	4.75	4.271	427.13
96	1.21.50F42	Connector, square head, standard 90 deg.	4.75	4.271	427.13
96	1.21.50H0	Connector, universal, H	3.06	2.751	275.12
100	1.21.50S1M8/7	Connector, screw-type, M8×7	3.07	2.764	276.37

□.□□.□□□□□□.□□.99 = PU of 100 pieces

Page	Article-No.	Description	1 Piece	PU = 100 Pcs	
			\$/Piece	\$/Piece	\$/PU
96	1.21.5E0	Connector, universal	3.06	2.751	275.12
96	1.21.5E0E	Connector, universal, grounding	3.86	3.467	346.73
96	1.21.5E0V	Connector, universal, stainless	9.18	8.254	825.36
96	1.21.5E1	Connector, standard	3.06	2.751	275.12
97	1.21.5E1B1L/□□	Connector, oblique-bent anchor standard l., /□□ deg.	4.67	4.196	419.59
97	1.21.5E1B1R/□□	Connector, oblique-bent anchor standard r., /□□ deg.	4.67	4.196	419.59
96	1.21.5E1E	Connector, standard, grounding	3.86	3.467	346.73
96	1.21.5E1V	Connector, standard, stainless	9.18	8.254	825.36
96	1.21.5E2	Connector, standard 90 deg.	3.06	2.751	275.12
97	1.21.5E2B2/□□	Connector, oblique 90 deg.-bent anchor 90 deg., /□□ deg.	4.67	4.196	419.59
96	1.21.5E2E	Connector, standard 90 deg., grounding	3.86	3.467	346.73
96	1.21.5E2V	Connector, standard 90 deg., stainless	9.18	8.254	825.36
98	1.21.5E5	Connector, parallel-square	3.06	2.751	275.12
96	1.21.5EB1L/□□	Connector, oblique-bent anchor l., /□□ deg.	4.67	4.196	419.59
96	1.21.5EB1LE/□□	Connector, oblique-bent anchor l., grounding, /□□ deg.	5.43	4.887	488.68
97	1.21.5EB1R/□□	Connector, oblique-bent anchor r., /□□ deg.	4.67	4.196	419.59
97	1.21.5EB1RE/□□	Connector, oblique-bent anchor r., grounding, /□□ deg.	5.43	4.887	488.68
97	1.21.5EB2/□□	Connector, oblique 90 deg.-bent anchor, /□□ deg.	4.67	4.196	419.59
97	1.21.5EB2E/□□	Connector, oblique 90 deg.-bent anchor, grounding, /□□ deg.	5.43	4.887	488.68
96	1.21.5EK1	Connector, oblique-hinge l. + r.	6.05	5.452	545.21
96	1.21.5EK1V	Connector, oblique-hinge l. + r., stainless	9.32	8.392	839.18
97	1.21.5EK2	Connector, oblique 90 deg.-hinge	6.05	5.452	545.21
97	1.21.5EK2V	Connector, oblique 90 deg.-hinge, stainless	9.32	8.392	839.18
97	1.21.5EK3	Connector, oblique-cross-hinge	6.05	5.452	545.21
97	1.21.5EK3V	Connector, oblique-cross-hinge, stainless	9.32	8.392	839.18
97	1.21.5EK4	Connector, oblique-cross-hinge 90 deg.	6.05	5.452	545.21
97	1.21.5EK4V	Connector, oblique-cross-hinge 90 deg., stainless	9.32	8.392	839.18
96	1.21.5F0	Connector, universal	3.06	2.751	275.12
96	1.21.5F0E	Connector, universal, grounding	3.86	3.467	346.73
96	1.21.5F0V	Connector, universal, stainless	8.39	7.550	755.00
96	1.21.5F1	Connector, standard	3.06	2.751	275.12
97	1.21.5F1B1L/□□	Connector, oblique-bent anchor standard l., /□□ deg.	4.67	4.196	419.59
97	1.21.5F1B1R/□□	Connector, oblique-bent anchor standard r., /□□ deg.	4.67	4.196	419.59
96	1.21.5F1E	Connector, standard, grounding	3.86	3.467	346.73
96	1.21.5F1V	Connector, standard, stainless	8.39	7.550	755.00
96	1.21.5F2	Connector, standard 90 deg.	3.06	2.751	275.12
97	1.21.5F2B2/□□	Connector, oblique 90 deg.-bent anchor 90 deg., /□□ deg.	4.67	4.196	419.59
96	1.21.5F2E	Connector, standard 90 deg., grounding	3.86	3.467	346.73
96	1.21.5F2V	Connector, standard 90 deg., stainless	8.39	7.550	755.00
98	1.21.5F5	Connector, parallel-square	3.06	2.751	275.12
96	1.21.5FB1L/□□	Connector, oblique-bent anchor l., /□□ deg.	4.67	4.196	419.59
96	1.21.5FB1LE/□□	Connector, oblique-bent anchor l., grounding, /□□ deg.	5.43	4.887	488.68
97	1.21.5FB1R/□□	Connector, oblique-bent anchor r., /□□ deg.	4.67	4.196	419.59
97	1.21.5FB1RE/□□	Connector, oblique-bent anchor r., grounding, /□□ deg.	5.43	4.887	488.68
97	1.21.5FB2/□□	Connector, oblique 90 deg.-bent anchor, /□□ deg.	4.67	4.196	419.59
97	1.21.5FB2E/□□	Connector, oblique 90 deg.-bent anchor, grounding, /□□ deg.	5.43	4.887	488.68
96	1.21.5FK1	Connector, oblique-hinge l. + r.	6.05	5.452	545.21
96	1.21.5FK1V	Connector, oblique-hinge l. + r., stainless	9.32	8.392	839.18
97	1.21.5FK2	Connector, oblique 90 deg.-hinge	6.05	5.452	545.21
97	1.21.5FK2V	Connector, oblique 90 deg.-hinge, stainless	9.32	8.392	839.18
97	1.21.5FK3	Connector, oblique-cross-hinge	6.05	5.452	545.21
97	1.21.5FK4	Connector, oblique-cross-hinge 90 deg.	6.05	5.452	545.21
99	1.21.5G1	Connector, miter-hinge l. + r.	7.57	6.809	680.89
99	1.21.5G1V	Connector, miter-hinge l. + r., stainless	12.99	11.696	1,169.58
99	1.21.5G2	Connector, miter 90 deg.-hinge l. + r.	7.57	6.809	680.89
99	1.21.5G2V	Connector, miter 90 deg.-hinge l. + r., stainless	12.99	11.696	1,169.58
99	1.21.5GB1/□□	Connector, miter-bent anchor l. + r., /□□ deg.	6.82	6.143	614.30
99	1.21.5GB2L/□□	Connector, miter 90 deg.-bent anchor l., /□□ deg.	6.82	6.143	614.30
99	1.21.5GB2R/□□	Connector, miter 90 deg.-bent anchor l., /□□ deg.	6.82	6.143	614.30
99	1.21.5GS	Connector, shifter	9.07	8.166	816.57
100	1.21.5S1M6/11	Connector, screw-type, M6×11	3.06	2.751	275.12
100	1.21.5S1M8/11	Connector, screw-type, M8×11	3.06	2.751	275.12
100	1.21.5S1M8/11V	Connector, screw-type, M8×11, stainless	8.39	7.550	755.00
100	1.21.5S1M8/40	Connector, screw-type, M8×40	3.06	2.751	275.12
100	1.21.5S5M8/11	Connector, screw-type, parallel-square, M8×11	3.06	2.751	275.12

□.□□.□□□□□□.□□.99 = PU of 100 pieces

Page	Article-No.	Description	1 Piece	PU = 100 Pcs	
			\$/Piece	\$/Piece	\$/PU
98	1.21.5V0	Connector, profile extension	6.16	5.540	554.01
98	1.21.5V0V	Connector, profile extension, stainless	13.33	11.997	1,199.73
Connectors for profiles with core hole-Ø 12 mm, PG 60					
98	1.21.6/2V0	Connector, profile extension 60/20	6.16	5.540	554.01
98	1.21.6/2V0V	Connector, profile extension 60/20, stainless	13.33	11.997	1,199.73
98	1.21.6/3V0	Connector, profile extension 60/30	6.16	5.540	554.01
98	1.21.6/3V0V	Connector, profile extension 60/30, stainless	13.33	11.997	1,199.73
98	1.21.6/45V0	Connector, profile extension 60/45	6.16	5.540	554.01
98	1.21.6/45V0V	Connector, profile extension 60/45, stainless	13.33	11.997	1,199.73
98	1.21.6/4V0	Connector, profile extension 60/40	6.16	5.540	554.01
98	1.21.6/4V0V	Connector, profile extension 60/40, stainless	13.33	11.997	1,199.73
98	1.21.6/5V0	Connector, profile extension 60/50	6.16	5.540	554.01
98	1.21.6/5V0V	Connector, profile extension 60/50, stainless	13.33	11.997	1,199.73
96	1.21.60E40	Connector, square head, universal	4.75	4.271	427.13
96	1.21.60F41	Connector, square head, standard	4.75	4.271	427.13
96	1.21.60F42	Connector, square head, standard 90 deg.	4.75	4.271	427.13
96	1.21.60H0	Connector, universal, H	3.06	2.751	275.12
100	1.21.60S1M8/7	Connector, screw-type, M8x7	3.07	2.764	276.37
96	1.21.6E0	Connector, universal	3.06	2.751	275.12
96	1.21.6E0E	Connector, universal, grounding	3.86	3.467	346.73
96	1.21.6E0V	Connector, universal, stainless	9.18	8.254	825.36
96	1.21.6E1	Connector, standard	3.06	2.751	275.12
97	1.21.6E1B1L/□□	Connector, oblique-bent anchor standard l., /□□ deg.	4.67	4.196	419.59
97	1.21.6E1B1R/□□	Connector, oblique-bent anchor standard r., /□□ deg.	4.67	4.196	419.59
96	1.21.6E1E	Connector, standard, grounding	3.86	3.467	346.73
96	1.21.6E1V	Connector, standard, stainless	9.18	8.254	825.36
96	1.21.6E2	Connector, standard 90 deg.	3.06	2.751	275.12
97	1.21.6E2B2/□□	Connector, oblique 90 deg.-bent anchor 90 deg., /□□ deg.	4.67	4.196	419.59
96	1.21.6E2E	Connector, standard 90 deg., grounding	3.86	3.467	346.73
96	1.21.6E2V	Connector, standard 90 deg., stainless	9.18	8.254	825.36
98	1.21.6E5	Connector, parallel-square	3.06	2.751	275.12
96	1.21.6EB1L/□□	Connector, oblique-bent anchor l., /□□ deg.	4.67	4.196	419.59
96	1.21.6EB1LE/□□	Connector, oblique-bent anchor l., grounding, /□□ deg.	5.43	4.887	488.68
97	1.21.6EB1R/□□	Connector, oblique-bent anchor r., /□□ deg.	4.67	4.196	419.59
97	1.21.6EB1RE/□□	Connector, oblique-bent anchor r., grounding, /□□ deg.	5.43	4.887	488.68
97	1.21.6EB2/□□	Connector, oblique 90 deg.-bent anchor, /□□ deg.	4.67	4.196	419.59
97	1.21.6EB2E/□□	Connector, oblique 90 deg.-bent anchor, grounding, /□□ deg.	5.43	4.887	488.68
96	1.21.6EK1	Connector, oblique-hinge l. + r.	6.05	5.452	545.21
96	1.21.6EK1V	Connector, oblique-hinge l. + r., stainless	9.32	8.392	839.18
97	1.21.6EK2	Connector, oblique 90 deg.-hinge	6.05	5.452	545.21
97	1.21.6EK2V	Connector, oblique 90 deg.-hinge, stainless	9.32	8.392	839.18
97	1.21.6EK3	Connector, oblique-cross-hinge	6.05	5.452	545.21
97	1.21.6EK3V	Connector, oblique-cross-hinge, stainless	9.32	8.392	839.18
97	1.21.6EK4	Connector, oblique-cross-hinge 90 deg.	6.05	5.452	545.21
97	1.21.6EK4V	Connector, oblique-cross-hinge 90 deg., stainless	9.32	8.392	839.18
96	1.21.6F0	Connector, universal	3.06	2.751	275.12
96	1.21.6F0E	Connector, universal, grounding	3.86	3.467	346.73
96	1.21.6F0V	Connector, universal, stainless	8.39	7.550	755.00
96	1.21.6F1	Connector, standard	3.06	2.751	275.12
97	1.21.6F1B1L/□□	Connector, oblique-bent anchor standard l., /□□ deg.	4.67	4.196	419.59
97	1.21.6F1B1R/□□	Connector, oblique-bent anchor standard r., /□□ deg.	4.67	4.196	419.59
96	1.21.6F1E	Connector, standard, grounding	3.86	3.467	346.73
96	1.21.6F1V	Connector, standard, stainless	8.39	7.550	755.00
96	1.21.6F2	Connector, standard 90 deg.	3.06	2.751	275.12
97	1.21.6F2B2/□□	Connector, oblique 90 deg.-bent anchor 90 deg., /□□ deg.	4.67	4.196	419.59
96	1.21.6F2E	Connector, standard 90 deg., grounding	3.86	3.467	346.73
96	1.21.6F2V	Connector, standard 90 deg., stainless	8.39	7.550	755.00
98	1.21.6F5	Connector, parallel-square	3.06	2.751	275.12
96	1.21.6FB1L/□□	Connector, oblique-bent anchor l., /□□ deg.	4.67	4.196	419.59
96	1.21.6FB1LE/□□	Connector, oblique-bent anchor l., grounding, /□□ deg.	5.43	4.887	488.68
97	1.21.6FB1R/□□	Connector, oblique-bent anchor r., /□□ deg.	4.67	4.196	419.59
97	1.21.6FB1RE/□□	Connector, oblique-bent anchor r., grounding, /□□ deg.	5.43	4.887	488.68
97	1.21.6FB2/□□	Connector, oblique 90 deg.-bent anchor, /□□ deg.	4.67	4.196	419.59

□.□□.□□□□□□.□□.99 = PU of 100 pieces

Page	Article-No.	Description	1 Piece	PU = 100 Pcs	
			\$/Piece	\$/Piece	\$/PU
97	1.21.6FB2E/□□	Connector, oblique 90 deg.-bent anchor, grounding, /□□ deg.	5.43	4.887	488.68
96	1.21.6FK1	Connector, oblique-hinge l. + r.	6.05	5.452	545.21
96	1.21.6FK1V	Connector, oblique-hinge l. + r., stainless	9.32	8.392	839.18
97	1.21.6FK2	Connector, oblique 90 deg.-hinge	6.05	5.452	545.21
97	1.21.6FK2V	Connector, oblique 90 deg.-hinge, stainless	9.32	8.392	839.18
97	1.21.6FK3	Connector, oblique-cross-hinge	6.05	5.452	545.21
97	1.21.6FK4	Connector, oblique-cross-hinge 90 deg.	6.05	5.452	545.21
99	1.21.6G1	Connector, miter-hinge l. + r.	7.57	6.809	680.89
99	1.21.6G1V	Connector, miter-hinge l. + r., stainless	12.99	11.696	1,169.58
99	1.21.6G2	Connector, miter 90 deg.-hinge l. + r.	7.57	6.809	680.89
99	1.21.6G2V	Connector, miter 90 deg.-hinge l. + r., stainless	12.99	11.696	1,169.58
99	1.21.6GB1/□□	Connector, miter-bent anchor l. + r., /□□ deg.	6.82	6.143	614.30
99	1.21.6GB2L/□□	Connector, miter 90 deg.-bent anchor l., /□□ deg.	6.82	6.143	614.30
99	1.21.6GB2R/□□	Connector, miter 90 deg.-bent anchor r., /□□ deg.	6.82	6.143	614.30
99	1.21.6GS	Connector, shifter	9.07	8.166	816.57
100	1.21.6S1M6/11	Connector, screw-type, M6×11	3.06	2.751	275.12
100	1.21.6S1M8/11	Connector, screw-type, M8×11	3.06	2.751	275.12
100	1.21.6S1M8/11V	Connector, screw-type, M8×11, stainless	8.39	7.550	755.00
100	1.21.6S1M8/40	Connector, screw-type, M8×40	3.06	2.751	275.12
100	1.21.6S5M8/11	Connector, screw-type, parallel-square, M8×11	3.06	2.751	275.12
98	1.21.6V0	Connector, profile extension	6.16	5.540	554.01
98	1.21.6V0V	Connector, profile extension, stainless	13.33	11.997	1,199.73
Connector components / Connection elements					
107	1.21.A1E0	Anchor, universal, incl. spring	1.61	1.445	144.46
107	1.21.A1E0E	Anchor, universal, grounding, incl. spring	2.41	2.161	216.07
107	1.21.A1E0V	Anchor, universal, stainless, incl. spring	5.56	5.000	499.99
107	1.21.A1E1	Anchor, standard, incl. spring	1.61	1.445	144.46
107	1.21.A1E1B1L/□□	Anchor, oblique, bent, standard l., /□□ deg., incl. spring	3.19	2.877	287.68
107	1.21.A1E1B1R/□□	Anchor, oblique, bent, standard r., /□□ deg., incl. spring	3.19	2.877	287.68
107	1.21.A1E1E	Anchor, standard, grounding, incl. spring	2.41	2.161	216.07
107	1.21.A1E1V	Anchor, standard, stainless, incl. spring	5.56	5.000	499.99
107	1.21.A1E2	Anchor, standard 90 deg., incl. spring	1.61	1.445	144.46
107	1.21.A1E2B2/□□	Anchor, oblique 90 deg.-bent 90 deg., /□□ deg., incl. spring	3.19	2.877	287.68
107	1.21.A1E2E	Anchor, standard 90 deg., grounding, incl. spring	2.41	2.161	216.07
107	1.21.A1E2V	Anchor, standard 90 deg., stainless, incl. spring	5.56	5.000	499.99
107	1.21.A1E40	Anchor, square head, universal, E-slot, incl. spring	3.29	2.952	295.22
107	1.21.A1EB1L/□□	Anchor, oblique, bent l., /□□ deg., incl. spring	3.19	2.877	287.68
107	1.21.A1EB1LE/□□	Anchor, oblique, bent l., grounding, /□□ deg., incl. spring	3.98	3.580	358.04
107	1.21.A1EB1R/□□	Anchor, oblique, bent r., /□□ deg., incl. spring	3.19	2.877	287.68
107	1.21.A1EB1RE/□□	Anchor, oblique, bent r., grounding, /□□ deg., incl. spring	3.98	3.580	358.04
107	1.21.A1EB2/□□	Anchor, oblique 90 deg., bent, /□□ deg., incl. spring	3.19	2.877	287.68
107	1.21.A1EB2E/□□	Anchor, oblique 90 deg., bent, grounding, /□□ deg., incl. spring	3.98	3.580	358.04
107	1.21.A1EK1	Anchor, oblique-hinge l. + r., incl. spring	4.60	4.146	414.56
107	1.21.A1EK1V	Anchor, oblique-hinge l. + r., stainless, incl. spring	5.71	5.138	513.81
107	1.21.A1EK2	Anchor, oblique 90 deg.-hinge, incl. spring	4.60	4.146	414.56
107	1.21.A1EK2V	Anchor, oblique 90 deg.-hinge, stainless, incl. spring	5.71	5.138	513.81
107	1.21.A1EK3	Anchor, oblique-cross-hinge, incl. spring	4.60	4.146	414.56
107	1.21.A1EK3V	Anchor, oblique-cross-hinge, stainless, incl. spring	5.71	5.138	513.81
107	1.21.A1EK4	Anchor, oblique-cross-hinge 90 deg., incl. spring	4.60	4.146	414.56
107	1.21.A1EK4V	Anchor, oblique-cross-hinge 90 deg., stainless, incl. spring	5.71	5.138	513.81
107	1.21.A1F0	Anchor, universal, incl. spring	1.61	1.445	144.46
107	1.21.A1F0E	Anchor, universal, grounding, incl. spring	2.41	2.161	216.07
107	1.21.A1F0V	Anchor, universal, stainless, incl. spring	4.76	4.284	428.38
107	1.21.A1F1	Anchor, standard, incl. spring	1.61	1.445	144.46
107	1.21.A1F1B1L/□□	Anchor, oblique, bent standard l., /□□ deg., incl. spring	3.19	2.877	287.68
107	1.21.A1F1B1R/□□	Anchor, oblique, bent standard r., /□□ deg., incl. spring	3.19	2.877	287.68
107	1.21.A1F1E	Anchor, standard, grounding, incl. spring	2.41	2.161	216.07
107	1.21.A1F1V	Anchor, standard, stainless, incl. spring	4.76	4.284	428.38
107	1.21.A1F2	Anchor, standard 90 deg., incl. spring	1.61	1.445	144.46
107	1.21.A1F2B2/□□	Anchor, oblique 90 deg.-bent 90 deg., /□□ deg., incl. spring	3.19	2.877	287.68
107	1.21.A1F2E	Anchor, standard 90 deg., grounding, incl. spring	2.41	2.161	216.07
107	1.21.A1F2V	Anchor, standard 90 deg., stainless, incl. spring	4.76	4.284	428.38
107	1.21.A1F41	Anchor, square head, standard, F-slot, incl. spring	3.29	2.952	295.22

□.□□.□□□□□□.□□.99 = PU of 100 pieces

Page	Article-No.	Description	1 Piece	PU = 100 Pcs	
			\$/Piece	\$/Piece	\$/PU
107	1.21.A1F42	Anchor, square head, standard 90 deg., F-slot, incl. spring	3.29	2.952	295.22
107	1.21.A1FB1L/□□	Anchor, oblique, bent l., /□□ deg., incl. spring	3.19	2.877	287.68
107	1.21.A1FB1LE/□□	Anchor, oblique, bent l., grounding, /□□ deg., incl. spring	3.98	3.580	358.04
107	1.21.A1FB1R/□□	Anchor, oblique, bent r., /□□ deg., incl. spring	3.19	2.877	287.68
107	1.21.A1FB1RE/□□	Anchor, oblique, bent r., grounding, /□□ deg., incl. spring	3.98	3.580	358.04
107	1.21.A1FB2/□□	Anchor, oblique 90 deg., bent, /□□ deg., incl. spring	3.19	2.877	287.68
107	1.21.A1FB2E/□□	Anchor, oblique 90 deg., bent, grounding, /□□ deg., incl. spring	3.98	3.580	358.04
107	1.21.A1FK1	Anchor, oblique-hinge l. + r., incl. spring	4.60	4.146	414.56
107	1.21.A1FK1V	Anchor, oblique-hinge l. + r., stainless, incl. spring	5.71	5.138	513.81
107	1.21.A1FK2	Anchor, oblique 90 deg.-hinge, incl. spring	4.60	4.146	414.56
107	1.21.A1FK2V	Anchor, oblique 90 deg.-hinge, stainless, incl. spring	5.71	5.138	513.81
107	1.21.A1FK3	Anchor, oblique-cross-hinge, incl. spring	4.60	4.146	414.56
107	1.21.A1FK4	Anchor, oblique-cross-hinge 90 deg., incl. spring	4.60	4.146	414.56
109	1.21.A1G1	Anchor, miter-hinge l. + r., incl. spring	4.67	4.196	419.59
109	1.21.A1G1V	Anchor, miter-hinge l. + r., stainless, incl. spring	5.75	5.176	517.57
109	1.21.A1G2	Anchor, miter 90 deg.-hinge l. + r., incl. spring	4.67	4.196	419.59
109	1.21.A1G2V	Anchor, miter 90 deg.-hinge l. + r., stainless, incl. spring	5.75	5.176	517.57
109	1.21.A1GB1/□□	Anchor, miter-bent l. + r., /□□ deg., incl. spring	3.92	3.530	353.01
109	1.21.A1GB245L/□□	Anchor, miter 90 deg.-bent l., /□□ deg., incl. spring	3.92	3.530	353.01
109	1.21.A1GB2L/□□	Anchor, miter 90 deg.-bent l., /□□ deg., incl. spring	3.92	3.530	353.01
109	1.21.A1GB2R/□□	Anchor, miter 90 deg.-bent r., /□□ deg., incl. spring	3.92	3.530	353.01
109	1.21.A1GS	Anchor, shifter, incl. spring	6.17	5.553	555.26
107	1.21.A1H0	Anchor, universal, incl. spring	1.61	1.445	144.46
109	1.21.A1SM6/11	Anchor, screw-type, M6×11, incl. spring	1.61	1.445	144.46
109	1.21.A1SM8/11	Anchor, screw-type, M8×11, incl. spring	1.61	1.445	144.46
109	1.21.A1SM8/11V	Anchor, screw-type, M8×11, stainless, incl. spring	4.76	4.284	428.38
109	1.21.A1SM8/40	Anchor, screw-type, M8×40, incl. spring	1.61	1.445	144.46
109	1.21.A1SM8/7	Anchor, screw-type, M8×7, incl. spring	1.61	1.445	144.46
109	1.21.A1V0	Anchor, profile extension, incl. spring	3.26	2.927	292.71
111	1.21.A1V040	Anchor for connector extension / parallel, incl. springs	3.26	2.927	292.71
109	1.21.A1V0V	Anchor, profile extension, stainless, incl. spring	6.09	5.477	547.72
107	1.21.A2E5	Anchor, parallel	1.58	1.420	141.95
107	1.21.A2F5	Anchor, parallel	1.58	1.420	141.95
109	1.21.A2SM8/11	Anchor, screw-type, parallel 20 mm, M8×11	1.58	1.420	141.95
110	1.21.A31E5	Anchor, parallel, 30×30 soft	1.58	1.420	141.95
110	1.21.A31F5	Anchor, parallel, 30×30 soft	1.58	1.420	141.95
107	1.21.A3E2-5	Anchor, parallel-square / high 90 deg.	1.58	1.420	141.95
107	1.21.A3E5	Anchor, parallel	1.58	1.420	141.95
107	1.21.A3F5	Anchor, parallel	1.58	1.420	141.95
109	1.21.A3SM8/11	Anchor, screw-type, parallel 30 mm, M8×11	1.58	1.420	141.95
109	1.21.A3SM8/7	Anchor, screw-type, parallel 30 mm, M8×7	1.58	1.420	141.95
107	1.21.A45E5	Anchor, parallel, incl. spring	1.61	1.445	144.46
107	1.21.A45F5	Anchor, parallel, incl. spring	1.61	1.445	144.46
109	1.21.A45SM8/11	Anchor, screw-type, parallel 45 mm, M8×11	1.58	1.420	141.95
107	1.21.A4E5	Anchor, parallel, incl. spring	1.61	1.445	144.46
107	1.21.A4F5	Anchor, parallel, incl. spring	1.61	1.445	144.46
109	1.21.A4SM8/11	Anchor, screw-type, parallel 40 mm, M8×11	1.58	1.420	141.95
109	1.21.A4SM8/7	Anchor, screw-type, parallel 40 mm, M8×7	1.58	1.420	141.95
298	1.21.A55SM8/11	Anchor, screw-type, parallel 55 mm, M8×11	1.58	1.420	141.95
107	1.21.A5E5	Anchor, parallel, incl. spring	1.61	1.445	144.46
107	1.21.A5F5	Anchor, parallel, incl. spring	1.61	1.445	144.46
109	1.21.A5SM8/11	Anchor, screw-type, parallel 50 mm, M8×11	1.58	1.420	141.95
107	1.21.A6E5	Anchor, parallel, incl. spring	1.61	1.445	144.46
107	1.21.A6F5	Anchor, parallel, incl. spring	1.61	1.445	144.46
109	1.21.A6SM8/11	Anchor, screw-type, parallel 60 mm, M8×11	1.58	1.420	141.95
113	1.21.ASEE0	Anchor, universal	1.58	1.420	141.95
113	1.21.ASEE1	Anchor, standard	1.58	1.420	141.95
113	1.21.ASEE2	Anchor, standard 90 deg.	1.58	1.420	141.95
113	1.21.ASEF0	Anchor, universal	1.58	1.420	141.95
113	1.21.ASEF1	Anchor, standard	1.58	1.420	141.95
113	1.21.ASEF2	Anchor, standard 90 deg.	1.58	1.420	141.95
115	1.21.ASTM6/11	Anchor, screw-type, for ST-Connector	1.61	1.445	144.46
102	1.21.B20	Cross bushing PG 20, F, incl. setscrew	1.45	1.306	130.65
102	1.21.B20V	Cross bushing PG 20, F, stainless, incl. setscrew	3.63	3.266	326.62

□.□□.□□□□□□.□□.99 = PU of 100 pieces

Page	Article-No.	Description	1 Piece	PU = 100 Pcs	
			\$/Piece	\$/Piece	\$/PU
103	1.21.B24	Cross bushing PG 20, E/F, F 4x45 deg., incl. setscrew	1.45	1.306	130.65
102	1.21.B30	Cross bushing PG 30, incl. setscrew	1.45	1.306	130.65
102	1.21.B30V	Cross bushing PG 30, stainless, incl. setscrew	3.63	3.266	326.62
103	1.21.B31	Cross bushing, special, B31	1.45	1.306	130.65
102	1.21.B34	Cross bushing PG 30, F 4x45 deg., incl. setscrew	1.45	1.306	130.65
102	1.21.B40	Cross bushing PG 40, incl. setscrew	1.45	1.306	130.65
102	1.21.B40R	Cross bushing PG 40, knurled, incl. setscrew	2.55	2.299	229.89
102	1.21.B40V	Cross bushing PG 40, stainless, incl. setscrew	3.63	3.266	326.62
102	1.21.B44	Cross bushing PG 40, F 4x45 deg., incl. setscrew	1.45	1.306	130.65
102	1.21.B45	Cross bushing PG 45, incl. setscrew	1.45	1.306	130.65
102	1.21.B45V	Cross bushing PG 45, stainless, incl. setscrew	3.63	3.266	326.62
102	1.21.B50	Cross bushing PG 50, incl. setscrew	1.45	1.306	130.65
102	1.21.B50V	Cross bushing PG 50, stainless, incl. setscrew	3.63	3.266	326.62
102	1.21.B60	Cross bushing PG 60, incl. setscrew	1.45	1.306	130.65
102	1.21.B60V	Cross bushing PG 60, stainless, incl. setscrew	3.63	3.266	326.62
103	1.21.BE3	Cross bushing E3 slot, incl. setscrew	1.45	1.306	130.65
103	1.21.BE4	Cross bushing E4 slot, incl. setscrew	1.45	1.306	130.65
	1.21.F11806V	Spring Ø11.8 d08 L6 ig3	0.05	0.050	5.03
	1.21.F11817V	Spring Ø11.8 d08 L17 ig5.5	0.05	0.050	5.03
	1.21.G0808	Setscrew, special, M8x8	0.21	0.188	18.85
	1.21.G0810	Setscrew, special, M8x10	0.21	0.188	18.85
	1.21.G0810V	Setscrew, special, M8x10, stainless	0.49	0.440	43.97
	1.21.G1012	Setscrew, special, M10x12	0.21	0.188	18.85
	1.21.G1012V	Setscrew, special, M10x12, stainless	0.49	0.440	43.97
114	1.21.S0620	Cylindric head screw DIN 912 - M6x20	0.31	0.276	27.64
113	1.21.SE3E0	Connector, universal, special	3.06	2.751	275.12
113	1.21.SE3E1	Connector, standard, special	3.06	2.751	275.12
113	1.21.SE3E2	Connector, standard 90 deg., special	3.06	2.751	275.12
113	1.21.SE3F0	Connector, standard, special	3.06	2.751	275.12
113	1.21.SE3F1	Connector, standard, special	3.06	2.751	275.12
113	1.21.SE3F2	Connector, standard 90 deg., special	3.06	2.751	275.12
113	1.21.SE4E0	Connector, universal, special	3.06	2.751	275.12
113	1.21.SE4E1	Connector, standard, special	3.06	2.751	275.12
113	1.21.SE4E2	Connector, standard 90 deg., special	3.06	2.751	275.12
113	1.21.SE4F0	Connector, universal, special	3.06	2.751	275.12
113	1.21.SE4F1	Connector, standard, special	3.06	2.751	275.12
113	1.21.SE4F2	Connector, standard 90 deg., special	3.06	2.751	275.12
103	1.21.STBM6	ST-Cross bushing	1.58	1.420	141.95
114	1.21.STEM620	ST-Connector	3.94	3.543	354.26
115	1.21.STESM6/11	ST-Connector with anchor, screw-type	4.42	3.970	396.98
103	1.21.STSB40	ST-Cross bushing	1.46	1.319	131.91
101	1.21.VSEM14	Connector screw, M14, E-Head	1.22	1.105	110.55
101	1.21.VSES126S	Connector screw, self-cutting, E-slot, S12.6, heavy	3.99	3.593	359.29
101	1.21.VSES128L	Connector screw, self-cutting, E-slot, S12.8, light	3.99	3.593	359.29
101	1.21.VSFM14	Connector screw, M14, F-Head	1.22	1.105	110.55
101	1.21.VSFS126S	Connector screw, self-cutting, F-slot, S12.6, heavy	3.99	3.593	359.29
101	1.21.VSFS128L	Connector screw, self-cutting, F-slot, S12.8, light	3.99	3.593	359.29
117	1.24.030030.F1EM14	Connector kit 30x30, standard, F, M14	16.74		
118	1.24.030030.F5EM08	Connector kit 30x30, parallel, F, M8	14.03		
117	1.24.040040.E1EM14	Connector kit 40x40, standard, E, M14	16.90		
118	1.24.040040.E5EM08	Connector kit 40x40, parallel, E, M8	14.66		
121	1.25.41.E3	Cross connector E3	9.06	8.153	815.30
121	1.25.41.E4	Cross connector E4	9.06	8.153	815.30
123	1.25.61.40E	Clamping connector 40E, single sided	9.06	8.153	815.30
123	1.25.61.45E	Clamping connector 45E, single sided	9.06	8.153	815.30
123	1.25.62.40E	Clamping connector 40E, double sided	9.06	8.153	815.30
123	1.25.62.45E	Clamping connector 45E, double sided	9.06	8.153	815.30

□.□□.□□□□□□.□□.99 = PU of 100 pieces

Page	Article-No.	Description	1 Piece	PU = 100 Pcs	
			\$/Piece	\$/Piece	\$/PU
120	1.25.BE	Notching case E for bayonet type connector	3.83	3.442	344.22
120	1.25.E323E	Bayonet type connector E, with T-Nut (spring ball) E	4.97	4.472	447.23
120	1.25.E324E	Bayonet type connector E, with T-Nut (spring) E	5.57	5.013	501.25
120	1.25.E324F	Bayonet type connector E, with T-Nut (spring) F	5.57	5.013	501.25
120	1.25.E3410E	Bayonet type connector E, with T-slot nut E	4.59	4.133	413.31
120	1.25.E3410F	Bayonet type connector E, with T-slot nut F	4.59	4.133	413.31
122	1.25.E3E3/5	Parallel connector, for subsequent insertion, E3/E3	6.92	6.218	621.84
122	1.25.E3F/5	Parallel connector, for subsequent insertion, E3/F	6.92	6.218	621.84
122	1.25.E3H/5	Parallel connector, for subsequent insertion, E3/H	6.92	6.218	621.84
122	1.25.E4E3/5	Parallel connector, for subsequent insertion, E4/E3	6.92	6.218	621.84
122	1.25.E4E4/5	Parallel connector, for subsequent insertion, E4/E4	6.92	6.218	621.84
122	1.25.E4F/5	Parallel connector, for subsequent insertion, E4/F	6.92	6.218	621.84
120	1.25.WZ1	Socket pin for notching case E	10.47		
134	1.29.11140	Retaining plate	0.92	0.829	82.91
134	1.29.11240	Retaining plate for connector	1.16	1.043	104.27
135	1.29.321.EM6	Anti-twist device E, M6	2.83	2.550	255.01
135	1.29.321.FM6	Anti-twist device F, M6	2.83	2.550	255.01
136	1.29.324.EM6	Anti-twist device for subsequent ins., E M6	2.83	2.550	255.01
136	1.29.324.FM6	Anti-twist device for subsequent ins., F M6	2.83	2.550	255.01
137	1.29.500620	Clamping lever 40 for connector, M6×20	10.84	9.761	976.11
137	1.29.500820	Clamping lever 40 for connector, M8×20	10.84	9.761	976.11
137	1.29.501020	Clamping lever 40 for connector, M10×20	10.84	9.761	976.11
137	1.29.501030	Clamping lever 40 for connector, M10×30	10.84	9.761	976.11
137	1.29.650620	Clamping lever 65 for connector, M6×20	11.62	10.465	1,046.46
137	1.29.650820	Clamping lever 65 for connector, M8×20	11.62	10.465	1,046.46
137	1.29.650830	Clamping lever 65 for connector, M8×30	11.62	10.465	1,046.46
137	1.29.651020	Clamping lever 65 for connector, M10×20	11.62	10.465	1,046.46
137	1.29.651030	Clamping lever 65 for connector, M10×30	11.62	10.465	1,046.46
137	1.29.800820	Clamping lever 80 for connector, M8×20	12.89	11.595	1,159.52
137	1.29.801020	Clamping lever 80 for connector, M10×20	12.89	11.595	1,159.52
137	1.29.801030	Clamping lever 80 for connector, M10×30	12.89	11.595	1,159.52
Accessories					
143	1.31.4HM3	Threaded plate subsequent insertion H, M3	0.77	0.691	69.09
143	1.31.4HM4	Threaded plate subsequent insertion H, M4	0.77	0.691	69.09
143	1.31.4HM5	Threaded plate subsequent insertion H, M5	0.77	0.691	69.09
144	1.31.6E2M6	Threaded plate, heavy, E, 2×M6	1.38	1.244	124.37
144	1.31.6E2M8	Threaded plate, heavy, E, 2×M8	1.38	1.244	124.37
144	1.31.6EM6	Threaded plate, heavy, E, M6	0.47	0.415	41.46
144	1.31.6EM8	Threaded plate, heavy, E, M8	0.47	0.415	41.46
144	1.31.7EM6	Threaded plate, heavy, E, M6	1.38	1.244	124.37
142	1.31.EM3	Threaded plate E, M3	0.39	0.352	35.18
142	1.31.EM4	Threaded plate E, M4	0.39	0.352	35.18
142	1.31.EM5	Threaded plate E, M5	0.39	0.352	35.18
142	1.31.EM6	Threaded plate E, M6	0.39	0.352	35.18
142	1.31.EM8	Threaded plate E, M8	0.39	0.352	35.18
142	1.31.FM3	Threaded plate F, M3	0.39	0.352	35.18
142	1.31.FM4	Threaded plate F, M4	0.39	0.352	35.18
142	1.31.FM5	Threaded plate F, M5	0.39	0.352	35.18
142	1.31.FM6	Threaded plate F, M6	0.39	0.352	35.18
142	1.31.HM3	Threaded plate H, M3	0.39	0.352	35.18
142	1.31.HM4	Threaded plate H, M4	0.39	0.352	35.18
142	1.31.HM5	Threaded plate H, M5	0.39	0.352	35.18
146	1.32.3EM4	T-Nut for subsequent insertion, w. spring-ball E, M4	0.90	0.817	81.66
146	1.32.3EM5	T-Nut for subsequent insertion, w. spring-ball E, M5	0.90	0.817	81.66
146	1.32.3EM6	T-Nut for subsequent insertion, w. spring-ball E, M6	0.90	0.817	81.66

□.□□.□□□□□□.□□.99 = PU of 100 pieces

Page	Article-No.	Description	1 Piece	PU = 100 Pcs	
			\$/Piece	\$/Piece	\$/PU
146	1.32.3EM8	T-Nut for subsequent insertion, w. spring-ball E, M8	0.90	0.817	81.66
148	1.32.4E2M4.25	T-Nut for subsequent insertion, w. spring E, 2xM4	2.14	1.922	192.21
147	1.32.4E2M8.41	T-Nut for subsequent insertion, w. spring E, 2xM8	3.02	2.713	271.35
147	1.32.4EM3	T-Nut for subsequent insertion, w. spring E, M3	1.50	1.357	135.67
147	1.32.4EM4	T-Nut for subsequent insertion, w. spring E, M4	1.50	1.357	135.67
147	1.32.4EM4V	T-Nut for subsequent insertion, w. spring E, M4, stainless	2.83	2.550	255.01
147	1.32.4EM5	T-Nut for subsequent insertion, w. spring E, M5	1.50	1.357	135.67
147	1.32.4EM5V	T-Nut for subsequent insertion, w. spring E, M5, stainless	2.83	2.550	255.01
147	1.32.4EM6	T-Nut for subsequent insertion, w. spring E, M6	1.50	1.357	135.67
147	1.32.4EM6V	T-Nut for subsequent insertion, w. spring E, M6, stainless	2.83	2.550	255.01
147	1.32.4EM8	T-Nut for subsequent insertion, w. spring E, M8	1.50	1.357	135.67
147	1.32.4EM8V	T-Nut for subsequent insertion, w. spring E, M8, stainless	2.83	2.550	255.01
148	1.32.4F2M4.25	T-Nut for subsequent insertion, w. spring F, 2xM4	2.14	1.922	192.21
147	1.32.4FM3	T-Nut for subsequent insertion, w. spring F, M3	1.50	1.357	135.67
147	1.32.4FM4	T-Nut for subsequent insertion, w. spring F, M4	1.50	1.357	135.67
147	1.32.4FM5	T-Nut for subsequent insertion, w. spring F, M5	1.50	1.357	135.67
147	1.32.4FM6	T-Nut for subsequent insertion, w. spring F, M6	1.50	1.357	135.67
147	1.32.4FM6V	T-Nut for subsequent insertion, w. spring F, M6, stainless	3.06	2.751	275.12
147	1.32.4FM8	T-Nut for subsequent insertion, w. spring F, M8	1.50	1.357	135.67
147	1.32.4FM8V	T-Nut for subsequent insertion, w. spring F, M8, stainless	3.06	2.751	275.12
145	1.32.EM6	T-Nut with spring E, M6	1.50	1.357	135.67
145	1.32.EM8	T-Nut with spring E, M8	1.50	1.357	135.67
145	1.32.FM6	T-Nut with spring F, M6	1.50	1.357	135.67
145	1.32.FM8	T-Nut with spring F, M8	1.50	1.357	135.67
149	1.33.EM3	Spring-nut E, M3	1.42	1.281	128.13
149	1.33.EM4	Spring-nut E, M4	1.42	1.281	128.13
149	1.33.EM5	Spring-nut E, M5	1.42	1.281	128.13
149	1.33.EM6	Spring-nut E, M6	1.42	1.281	128.13
149	1.33.FM3	Spring-nut F, M3	1.42	1.281	128.13
149	1.33.FM4	Spring-nut F, M4	1.42	1.281	128.13
149	1.33.FM5	Spring-nut F, M5	1.42	1.281	128.13
149	1.33.FM6	Spring-nut F, M6	1.42	1.281	128.13
150	1.34.10EM4	T-slot nut E, M4	0.55	0.490	49.00
150	1.34.10EM5	T-slot nut E, M5	0.55	0.490	49.00
150	1.34.10EM6	T-slot nut E, M6	0.55	0.490	49.00
150	1.34.10FM4	T-slot nut F, M4	0.55	0.490	49.00
150	1.34.10FM5	T-slot nut F, M5	0.55	0.490	49.00
150	1.34.10FM6	T-slot nut F, M6	0.55	0.490	49.00
151	1.34.20EM3	Rhomboid T-slot nut E, M3	0.89	0.804	80.40
151	1.34.20EM4	Rhomboid T-slot nut E, M4	0.89	0.804	80.40
151	1.34.20EM5	Rhomboid T-slot nut E, M5	0.89	0.804	80.40
151	1.34.20EM6	Rhomboid T-slot nut E, M6	0.89	0.804	80.40
152	1.34.EM62	T-Bolt E, M6x20	1.13	1.017	101.75
152	1.34.EM63	T-Bolt E, M6x30	1.13	1.017	101.75
152	1.34.EM82	T-Bolt E, M8x20	1.13	1.017	101.75
152	1.34.EM83	T-Bolt E, M8x30	1.13	1.017	101.75
152	1.34.EM84	T-Bolt E, M8x40	1.13	1.017	101.75
152	1.34.FM62	T-Bolt F, M6x20	1.13	1.017	101.75
152	1.34.FM63	T-Bolt F, M6x30	1.13	1.017	101.75
152	1.34.FM82	T-Bolt F, M8x20	1.13	1.017	101.75
152	1.34.FM83	T-Bolt F, M8x30	1.13	1.017	101.75
153	1.35.10804	Threaded insert M8/M4	1.02	0.917	91.70
153	1.35.10805	Threaded insert M8/M5	1.02	0.917	91.70
153	1.35.11204	Threaded insert M12/M4, L15	1.25	1.131	113.06
153	1.35.11205	Threaded insert M12/M5, L15	1.25	1.131	113.06
153	1.35.11206	Threaded insert M12/M6	1.25	1.131	113.06
153	1.35.11208	Threaded insert M12/M8	1.25	1.131	113.06
154	1.35.1140615	Threaded insert M14/M6, L15	1.73	1.558	155.77
154	1.35.1140630	Threaded insert M14/M6, L30	2.21	1.985	198.49

□.□□.□□□□□□.□□.99 = PU of 100 pieces

Page	Article-No.	Description	1 Piece		
				\$/Piece	\$/PU
				\$/Piece	\$/PU
154	1.35.1140815	Threaded insert M14/M8, L15	1.73	1.558	155.77
154	1.35.1140830	Threaded insert M14/M8, L30	2.21	1.985	198.49
154	1.35.1141015	Threaded insert M14/M10, L15	1.73	1.558	155.77
154	1.35.1141030	Threaded insert M14/M10, L30	2.21	1.985	198.49
154	1.35.1161215	Threaded insert M16/M12, L15	1.73	1.558	155.77
154	1.35.1161230	Threaded insert M16/M12, L30	2.21	1.985	198.49
156	1.35.606300	Press-fit threaded insert, w/o collar, Ø12/M6, L30	2.91	2.626	262.56
155	1.35.608195	Press-fit threaded insert Ø12/M8, L22.5	5.11	4.598	459.79
155	1.35.608295	Press-fit threaded insert Ø12/M8, L32.5	6.28	5.653	565.32
156	1.35.608300	Press-fit threaded insert, w/o collar, Ø12/M8, L30	2.91	2.626	262.56
155	1.35.608395	Press-fit threaded insert Ø12/M8, L42.5	7.46	6.721	672.09
155	1.35.608445	Press-fit threaded insert Ø12/M8, L47.5	8.10	7.286	728.63
155	1.35.608495	Press-fit threaded insert Ø12/M8, L52.5	8.65	7.776	777.62
155	1.35.610195	Press-fit threaded insert Ø12/M10, L22.5	5.11	4.598	459.79
155	1.35.610295	Press-fit threaded insert Ø12/M10, L32.5	6.28	5.653	565.32
155	1.35.610395	Press-fit threaded insert Ø12/M10, L42.5	7.46	6.721	672.09
155	1.35.610445	Press-fit threaded insert Ø12/M10, L47.5	8.10	7.286	728.63
155	1.35.610495	Press-fit threaded insert Ø12/M10, L52.5	8.65	7.776	777.62
155	1.35.614295	Press-fit threaded insert Ø16/M14, L32.5	6.28	5.653	565.32
155	1.35.614395	Press-fit threaded insert Ø16/M14, L42.5	7.46	6.721	672.09
155	1.35.614445	Press-fit threaded insert Ø16/M14, L47.5	8.10	7.286	728.63
155	1.35.614495	Press-fit threaded insert Ø16/M14, L52.5	8.65	7.776	777.62

Page	Article-No.	Description	cut		
				\$/m	\$/Piece
				\$/m	\$/Piece
157	1.41.11.1	Cover profile 10, PVC, F/ E, grey bar 2.5 m		1.59	3.96
157	1.41.11.1023	Cover profile 10, PVC, F/ E, yellow bar 2.5 m		1.59	3.96
157	1.41.11.2	Cover profile 10, PVC, F/ E, black bar 2.5 m		1.59	3.96
157	1.41.121	Cover profile 10, Alu, F/E bar 2.5 m		3.11	7.77
157	1.41.15E34.1	Cover profile 34, PVC, E, grey bar 2.5 m		1.84	4.60
157	1.41.15E34.1003	Cover profile 34, PVC, E, yellow bar 3.0 m		1.84	5.53
157	1.41.15E34.2	Cover profile 34, PVC, E, black bar 2.5 m		1.84	4.60
157	1.41.15E34.2004	Cover profile 34, PVC, E, orange bar 3.0 m		1.84	5.53
157	1.41.15E34.5017	Cover profile 34, PVC, E, blue bar 2.5 m		1.84	4.60
158	1.41.21.1	Reducing profile PVC, F/E,8/6, grey bar 2.5 m		1.59	3.96
158	1.41.21.2	Reducing profile PVC, F/E,8/6, black bar 2.5 m		1.59	3.96
162	1.41.330	Combination profile PVC for 30×14, B6.2 bar 2.5 m		1.59	3.96
162	1.41.350	Combination profile PVC for 50×14, B6.5 bar 2.5 m		2.51	6.28
162	1.41.351	Combination profile PVC for 50×14, B9.0 bar 2.5 m		2.51	6.28
163	1.41.360	Guide profile PVC for slide-profile bar 2.5 m		3.77	9.43
165	1.41.51E3.1.99	Wedge profile E3, grey ring 100 m	3.06	2.751	275.12
164	1.41.5E0.1.60	Framing profile one-piece, E, grey ring 60 m	3.06	2.750	165.00
164	1.41.5E0.2.60	Framing profile one-piece, E, black ring 60 m	3.06	2.750	165.00
164	1.41.5F0.1.60	Framing profile one-piece, F, grey ring 60 m	2.45	2.197	131.84
164	1.41.5F0.2.60	Framing profile one-piece, F, black ring 60 m	2.45	2.197	131.84
167	1.41.606.99	Sponge rubber round cord, Ø6, grey ring 100 m	1.58	1.420	141.95
167	1.41.608.99	Sponge rubber round cord, Ø8, grey ring 100 m	1.90	1.709	170.85
167	1.41.610.99	Sponge rubber round cord, Ø10, grey ring 100 m	2.53	2.274	227.38
167	1.41.612.99	Sponge rubber round cord, Ø12, grey ring 100 m	2.90	2.613	261.31
167	1.41.618.99	Sponge rubber round cord, Ø18, grey ring 100 m	7.78	6.997	699.73

□.□.□.□.□.□.□.□.99 = PU of 100 pieces

Page	Article-No.	Description	cut	Piece	
				\$/m	\$/Piece
168	1.41.6510F.2.40	Sealing profile EPDM, F, black	ring 40 m	2.77	2.487 99.50
169	1.41.710.1.60	Framing profile PVC, F/E, grey	bar 6.0 m		5.18 31.10
169	1.41.710.2.60	Framing profile PVC, F/E, black	bar 6.0 m		5.18 31.10
171	1.41.71E0110.1.60	Framing profile PVC, E, grey	bar 6.0 m		6.68 40.06
171	1.41.71E0110.2.60	Framing profile PVC, E, black	bar 6.0 m		6.68 40.06
170	1.41.720107.1.60	Framing profile PVC, F/E, 1-7 mm, grey	bar 6.0 m		5.18 31.10
170	1.41.720107.2.60	Framing profile PVC, F/E, 1-7 mm, black	bar 6.0 m		5.18 31.10
172	1.41.8E40.20	Rubber cover-profile E3, black	ring 20 m	7.46	6.713 134.25
172	1.41.8E50.20	Rubber cover-profile E4, black	ring 20 m	9.03	8.126 162.51
172	1.41.8F30.20	Rubber cover-profile F, black	ring 20 m	5.89	5.299 105.99
160	1.41.E314.1	Combination profile PP, E, 1 - 4.5, grey	bar 2.5 m		1.59 3.96
160	1.41.E314.2	Combination profile PP, E, 1 - 4.5, black	bar 2.5 m		1.59 3.96
160	1.41.E346.1	Combination profile PP, E, 4.5 - 6, grey	bar 2.5 m		1.59 3.96
160	1.41.E346.2	Combination profile PP, E, 4.5 - 6, black	bar 2.5 m		1.59 3.96
160	1.41.E346.2004	Combination profile PP, E, 4.5 - 6, orange	bar 2.5 m		1.83 4.58
160	1.41.E346.3000	Combination profile PP, E, 4.5 - 6, red	bar 2.5 m		1.79 4.48
160	1.41.E346.5002	Combination profile PP, E, 4.5 - 6, blue	bar 2.5 m		1.79 4.48
160	1.41.E346.6024	Combination profile PP, E, 4.5 - 6, green	bar 2.5 m		1.79 4.48
160	1.41.F14.1	Combination profile PP, F, 1-4.5, grey	bar 2.5 m		1.59 3.96
160	1.41.F14.2	Combination profile PP, F, 1-4.5, black	bar 2.5 m		1.59 3.96
160	1.41.F46.1	Combination profile PP, F, 4.5-6, grey	bar 2.5 m		1.59 3.96
160	1.41.F46.2	Combination profile PP, F, 4.5-6, black	bar 2.5 m		1.59 3.96
160	1.41.F46.3000	Combination profile PP, F, 4.5-6, red	bar 2.5 m		1.79 4.48
160	1.41.F46.5002	Combination profile PP, F, 4.5-6, blue	bar 2.5 m		1.79 4.48
160	1.41.F46.6024	Combination profile PP, F, 4.5-6, green	bar 2.5 m		1.79 4.48
159	1.41.H02.1	Combination profile PVC, H, B2, grey	bar 2.5 m		1.59 3.96
159	1.41.H02.2	Combination profile PVC, H, B2, black	bar 2.5 m		1.59 3.96
159	1.41.H02.3000	Combination profile PVC, H, B2, red	bar 2.5 m		1.79 4.48
159	1.41.H02.5002	Combination profile PVC, H, B2, blue	bar 2.5 m		1.79 4.48
159	1.41.H02.6024	Combination profile PVC, H, B2, green	bar 2.5 m		1.79 4.48
159	1.41.H04.1	Combination profile PVC, H, B4, grey	bar 2.5 m		1.59 3.96
159	1.41.H04.2	Combination profile PVC, H, B4, black	bar 2.5 m		1.59 3.96

Page	Article-No.	Description	1 Piece	PU = 100 Pcs	
			\$/Piece	\$/Piece	\$/PU
173	1.42.09016040.2	Cover cap 16x40, black	0.86	0.779	77.88
173	1.42.09016080.1	Cover cap 16x80, grey	1.16	1.043	104.27
173	1.42.09016080.2	Cover cap 16x80, black	1.16	1.043	104.27
173	1.42.10200.1	Cover cap 20x20, soft, grey	0.80	0.716	71.61
173	1.42.10200.2	Cover cap 20x20, soft, black	0.80	0.716	71.61
173	1.42.10202.1	Cover cap 20x20, grey	0.80	0.716	71.61
173	1.42.10202.2	Cover cap 20x20, black	0.80	0.716	71.61
173	1.42.10204.1	Cover cap 20x40, grey	0.94	0.854	85.43
173	1.42.10204.2	Cover cap 20x40, black	0.94	0.854	85.43
173	1.42.10404.2	Cover cap 40x40, Ø6, black	1.28	1.143	114.31
173	1.42.20201.2	Cover cap 20x10, black	0.72	0.641	64.07
174	1.42.20203.2	Cover cap 20x30, black	0.86	0.779	77.88
174	1.42.20300.1	Cover cap 30x30, soft, grey	1.02	0.917	91.70
174	1.42.20300.2	Cover cap 30x30, soft, black	1.02	0.917	91.70
174	1.42.20303.1	Cover cap 30x30, grey	1.02	0.917	91.70
174	1.42.20303.2	Cover cap 30x30, black	1.02	0.917	91.70
174	1.42.20305.1	Cover cap 30x50, grey	1.81	1.633	163.31
174	1.42.20305.2	Cover cap 30x50, black	1.81	1.633	163.31
174	1.42.20306.1	Cover cap 30x60, grey	1.34	1.206	120.60
174	1.42.20306.2	Cover cap 30x60, black	1.34	1.206	120.60
174	1.42.20310.2	Cover cap 30x100, black	1.81	1.633	163.31
174	1.42.20315.2	Cover cap 30x150, black	2.45	2.198	219.85
174	1.42.20400.1	Cover cap 40x40, soft, grey	1.28	1.143	114.31

□.□.□.□.□.□.□.□.99 = PU of 100 pieces

Page	Article-No.	Description	1 Piece	PU = 100 Pcs	
			\$/Piece	\$/Piece	\$/PU
174	1.42.20400.2	Cover cap 40x40, soft, black	1.28	1.143	114.31
174	1.42.20404.1	Cover cap 40x40, Ø12, grey	1.28	1.143	114.31
174	1.42.20404.2	Cover cap 40x40, Ø12, black	1.28	1.143	114.31
174	1.42.20408.1	Cover cap 40x80, grey	1.90	1.709	170.85
174	1.42.20408.2	Cover cap 40x80, black	1.90	1.709	170.85
174	1.42.2040R30.2	Cover cap 40, round 30 deg., h4, black <i>Please note that the thickness „h“ is 4 mm</i>	2.91	2.626	262.56
174	1.42.2040R45.2	Cover cap 40, round 45 deg., h6, black	1.28	1.143	114.31
174	1.42.2040R60.2	Cover cap 40, round 60 deg., h6, black	1.28	1.143	114.31
174	1.42.2040R90.2	Cover cap 40, round 90 deg., h6, black	1.90	1.709	170.85
174	1.42.2045000.2	Cover cap 45x45, black	1.28	1.143	114.31
174	1.42.2045045.2	Cover cap 45x45, black	1.28	1.143	114.31
174	1.42.2045060.2	Cover cap 45x60, black	1.65	1.482	148.24
174	1.42.2045090.2	Cover cap 45x90, black	2.07	1.872	187.18
175	1.42.2048R00.1	Cover cap 48, grey	1.65	1.482	148.24
175	1.42.2048R00.2	Cover cap 48, black	1.65	1.482	148.24
174	1.42.20500.1	Cover cap 50x50, soft, grey	1.65	1.482	148.24
174	1.42.20500.2	Cover cap 50x50, soft, black	1.65	1.482	148.24
174	1.42.20505.1	Cover cap 50x50, grey	1.65	1.482	148.24
174	1.42.20505.2	Cover cap 50x50, black	1.65	1.482	148.24
174	1.42.20510.1	Cover cap 50x100, grey	2.59	2.337	233.67
174	1.42.20510.2	Cover cap 50x100, black	2.59	2.337	233.67
174	1.42.20515.2	Cover cap 50x150, black	3.62	3.254	325.37
174	1.42.2060060.2	Cover cap 60x60, black	1.65	1.482	148.24
174	1.42.2060080.2	Cover cap 60x80, black	2.38	2.148	214.82
174	1.42.2060090.2	Cover cap 60x90, black	2.59	2.337	233.67
175	1.42.20808.2	Cover cap 80x80, black	3.15	2.839	283.92
175	1.42.2090090.2	Cover cap 90x90, black	3.76	3.392	339.19
175	1.42.21010.2	Cover cap 100x100, black	4.56	4.108	410.80
175	1.42.217.030060.2	Cover cap 30x60 for tube profile, black	0.90	0.817	81.66
175	1.42.217.030100.2	Cover cap 30x100 for tube profile, black	1.12	1.005	100.49
176	1.42.502.1	Cover plug 20, grey	0.24	0.214	21.36
176	1.42.502.2	Cover plug 20, black	0.24	0.214	21.36
176	1.42.503.1	Cover plug 30, grey	0.24	0.214	21.36
176	1.42.503.2	Cover plug 30, black	0.24	0.214	21.36
176	1.42.504.1	Cover plug 40, grey	0.24	0.214	21.36
176	1.42.504.2	Cover plug 40, black	0.24	0.214	21.36
176	1.42.505.1	Cover plug 50, grey	0.24	0.214	21.36
176	1.42.505.2	Cover plug 50, black	0.24	0.214	21.36
176	1.42.5120.1	Cover plug 20 domed, grey	0.24	0.214	21.36
176	1.42.5120.2	Cover plug 20 domed, black	0.24	0.214	21.36
176	1.42.5130.1	Cover plug 30 domed, grey	0.24	0.214	21.36
176	1.42.5130.2	Cover plug 30 domed, black	0.24	0.214	21.36
176	1.42.5140.1	Cover plug 40 domed, grey	0.24	0.214	21.36
176	1.42.5140.2	Cover plug 40 domed, black	0.24	0.214	21.36
176	1.42.5145.1	Cover plug 45 domed, grey	0.24	0.214	21.36
176	1.42.5145.2	Cover plug 45 domed, black	0.24	0.214	21.36
176	1.42.5150.1	Cover plug 50 domed, grey	0.24	0.214	21.36
176	1.42.5150.2	Cover plug 50 domed, black	0.24	0.214	21.36
176	1.42.5160.1	Cover plug 60 domed, grey	0.24	0.214	21.36
176	1.42.5160.2	Cover plug 60 domed, black	0.24	0.214	21.36
177	1.42.6020.1	Tube cover cap, Ø20, grey	0.24	0.214	21.36
177	1.42.6020.2	Tube cover cap, Ø20, black	0.24	0.214	21.36
177	1.42.6030.1	Tube cover cap, Ø30, grey	0.31	0.276	27.64
177	1.42.6030.2	Tube cover cap, Ø30, black	0.31	0.276	27.64
177	1.42.6040.1	Tube cover cap, Ø40, grey	0.40	0.364	36.43
177	1.42.6040.2	Tube cover cap, Ø40, black	0.40	0.364	36.43
177	1.42.6114.1	Cover plug 15, grey	0.24	0.214	21.36
177	1.42.6114.2	Cover plug 15, black	0.24	0.214	21.36
178	1.43.10030030.1	Radius seal 30, square, 1R, grey	1.02	0.917	91.70
178	1.43.10030030.2	Radius seal 30, square, 1R, black	1.02	0.917	91.70

□.□□.□□□□□□.□□.99 = PU of 100 pieces

Page	Article-No.	Description	1 Piece	PU = 100 Pcs	
			\$/Piece	\$/Piece	\$/PU
178	1.43.10030060.1	Radius seal 30×60, rectangle, 1R, grey	1.34	1.206	120.60
178	1.43.10030060.2	Radius seal 30×60, rectangle, 1R, black	1.34	1.206	120.60
178	1.43.10040040.1	Radius seal 40, square, 1R, grey	1.28	1.143	114.31
178	1.43.10040040.2	Radius seal 40, square, 1R, black	1.28	1.143	114.31
178	1.43.10040080.1	Radius seal 40×80, rectangle, 1R, grey	1.90	1.709	170.85
178	1.43.10040080.2	Radius seal 40×80, rectangle, 1R, black	1.90	1.709	170.85
178	1.43.10045045.1	Radius seal 45, square, 1R, grey	1.85	1.658	165.82
178	1.43.10045045.2	Radius seal 45, square, 1R, black	1.85	1.658	165.82
178	1.43.10045090.1	Radius seal 45×90, rectangle, 1R, grey	2.91	2.626	262.56
178	1.43.10045090.2	Radius seal 45×90, rectangle, 1R, black	2.91	2.626	262.56
179	1.43.10060060.1	Radius seal 60, square, 1R, grey	1.65	1.482	148.24
179	1.43.10060060.2	Radius seal 60, square, 1R, black	1.65	1.482	148.24
179	1.43.10080080.1	Radius seal 80, square, 1R, grey	3.15	2.839	283.92
179	1.43.10080080.2	Radius seal 80, square, 1R, black	3.15	2.839	283.92
179	1.43.11030060.1	Radius seal 30×60, rectangle 90 deg.,1R, grey	1.34	1.206	120.60
179	1.43.11030060.2	Radius seal 30×60, rectangle 90 deg.,1R, black	1.34	1.206	120.60
179	1.43.11040080.1	Radius seal 40×80, rectangle 90 deg.,1R, grey	1.90	1.709	170.85
179	1.43.11040080.2	Radius seal 40×80, rectangle 90 deg.,1R, black	1.90	1.709	170.85
179	1.43.11045090.1	Radius seal 45×90, rectangle 90 deg.,1R, grey	2.91	2.626	262.56
179	1.43.11045090.2	Radius seal 45×90, rectangle 90 deg.,1R, black	2.91	2.626	262.56
179	1.43.20030030.1	Radius seal 30, square, 2R, grey	1.02	0.917	91.70
179	1.43.20030030.2	Radius seal 30, square, 2R, black	1.02	0.917	91.70
179	1.43.20030060.1	Radius seal 30×60, rectangle, 2R, grey	1.34	1.206	120.60
179	1.43.20030060.2	Radius seal 30×60, rectangle, 2R, black	1.34	1.206	120.60
179	1.43.20040040.1	Radius seal 40, square, 2R, grey	1.28	1.143	114.31
179	1.43.20040040.2	Radius seal 40, square, 2R, black	1.28	1.143	114.31
179	1.43.20040080.1	Radius seal 40×80, rectangle, 2R, grey	1.90	1.709	170.85
179	1.43.20040080.2	Radius seal 40×80, rectangle, 2R, black	1.90	1.709	170.85
179	1.43.20045045.1	Radius seal 45, square, 2R, grey	1.85	1.658	165.82
179	1.43.20045045.2	Radius seal 45, square, 2R, black	1.85	1.658	165.82
179	1.43.20045090.1	Radius seal 45×90, rectangle, 2R, grey	2.91	2.626	262.56
179	1.43.20045090.2	Radius seal 45×90, rectangle, 2R, black	2.91	2.626	262.56
179	1.43.20060060.1	Radius seal 60, square, 2R, grey	1.65	1.482	148.24
179	1.43.20060060.2	Radius seal 60, square, 2R, black	1.65	1.482	148.24
179	1.43.20080080.1	Radius seal 80, square, 2R, grey	3.15	2.839	283.92
179	1.43.20080080.2	Radius seal 80, square, 2R, black	3.15	2.839	283.92
179	1.43.21030060.1	Radius seal 30×60, rectangle 90 deg., 2R, grey	1.34	1.206	120.60
179	1.43.21030060.2	Radius seal 30×60, rectangle 90 deg., 2R, black	1.34	1.206	120.60
179	1.43.21040080.1	Radius seal 40×80, rectangle 90 deg., 2R, grey	1.90	1.709	170.85
179	1.43.21040080.2	Radius seal 40×80, rectangle 90 deg., 2R, black	1.90	1.709	170.85
179	1.43.21045090.1	Radius seal 45×90, rectangle 90 deg., 2R, grey	2.91	2.626	262.56
179	1.43.21045090.2	Radius seal 45×90, rectangle 90 deg., 2R, black	2.91	2.626	262.56
180	1.43.71030030.1	Radius compensation 30×30, grey	1.21	1.093	109.30
180	1.43.71030030.2	Radius compensation 30×30, black	1.21	1.093	109.30
180	1.43.71040040.1	Radius compensation 40×40, grey	1.50	1.357	135.67
180	1.43.71040040.2	Radius compensation 40×40, black	1.50	1.357	135.67
180	1.43.71048000.1	Radius compensation 48, grey	1.65	1.482	148.24
180	1.43.71048000.2	Radius compensation 48, black	1.65	1.482	148.24
181	1.44.002003	Floor levelling screw, SW20, M8×30	2.99	2.688	268.83
181	1.44.002403	Floor levelling screw, D24, M8×30	2.99	2.688	268.83
181	1.44.003020	Levelling foot, PA, 20, M8×25	3.14	2.827	282.65
182	1.44.203008	Manual levelling foot 30	6.53	5.879	587.93
182	1.44.204008	Manual levelling foot 40	7.00	6.294	629.38
183	1.44.303002	Levelling furniture foot, Ø30, M10×20	2.21	1.985	198.49
183	1.44.303507	Levelling foot, Ø35, M10×70	2.21	1.985	198.49
183	1.44.304505	Levelling foot, Ø45, M10×50	2.99	2.688	268.83
183	1.44.304507	Levelling foot, Ø45, M10×70	2.99	2.688	268.83
185	1.44.411030	Adjustable tilt-foot plate PA, 30	2.90	2.613	261.31
185	1.44.411040	Adjustable tilt-foot plate PA, 40	3.31	2.977	297.73
185	1.44.411045	Adjustable tilt-foot plate PA, 45	3.38	3.040	304.01
185	1.44.411050	Adjustable tilt-foot plate PA, 50	3.46	3.116	311.55
185	1.44.411060	Adjustable tilt-foot plate PA, 60	3.62	3.254	325.37

□.□.□.□.□.□.□.□.99 = PU of 100 pieces

Page	Article-No.	Description	1 Piece	PU = 100 Pcs	
			\$/Piece	\$/Piece	\$/PU
186	1.44.411080	Adjustable tilt-foot plate PA, 80, w. mounting holes	4.24	3.819	381.90
186	1.44.411100	Adjustable tilt-foot plate PA, 100, w. mounting holes	10.21	9.196	919.58
186	1.44.411120	Adjustable tilt-foot plate PA, 120, w. mounting holes	11.78	10.603	1,060.28
185	1.44.431030	Adjustable tilt-foot plate GD-Zn, 30	8.41	7.563	756.26
185	1.44.431030V	Adjustable tilt-foot plate stainless, 30	17.80	16.017	1,601.72
185	1.44.431040	Adjustable tilt-foot plate GD-Zn, 40	9.43	8.492	849.23
185	1.44.431040V	Adjustable tilt-foot plate stainless, 40	20.18	18.153	1,815.28
185	1.44.431045	Adjustable tilt-foot plate GD-Zn, 45	11.24	10.113	1,011.28
185	1.44.431045V	Adjustable tilt-foot plate stainless, 45	24.78	22.299	2,229.85
185	1.44.431050	Adjustable tilt-foot plate GD-Zn, 50	12.02	10.816	1,081.64
185	1.44.431050V	Adjustable tilt-foot plate stainless, 50	26.52	23.869	2,386.88
185	1.44.431060	Adjustable tilt-foot plate GD-Zn, 60	14.62	13.153	1,315.29
185	1.44.431060V	Adjustable tilt-foot plate stainless, 60	32.11	28.894	2,889.39
185	1.44.431080	Adjustable tilt-foot plate GD-Zn, 80	21.68	19.510	1,950.96
185	1.44.431080V	Adjustable tilt-foot plate stainless, 80	43.69	39.321	3,932.07
185	1.44.431100	Adjustable tilt-foot plate GD-Zn, 100	29.22	26.293	2,629.33
185	1.44.431100V	Adjustable tilt-foot plate stainless, 100	62.82	56.531	5,653.14
185	1.44.431120	Adjustable tilt-foot plate GD-Zn, 120	35.98	32.374	3,237.37
185	1.44.431120V	Adjustable tilt-foot plate stainless, 120	87.23	78.516	7,851.58
186	1.44.432080	Adjustable tilt-foot plate GD-Zn, 80, w. mounting holes	26.16	23.542	2,354.22
186	1.44.432080V	Adjustable tilt-foot plate stainless, 80, w. mounting holes	47.45	42.713	4,271.26
186	1.44.432100	Adjustable tilt-foot plate GD-Zn, 100, w. mounting holes	33.77	30.389	3,038.88
186	1.44.432100V	Adjustable tilt-foot plate stainless, 100, w. mounting holes	73.28	65.953	6,595.32
186	1.44.432120	Adjustable tilt-foot plate GD-Zn, 120, w. mounting holes	37.60	33.843	3,384.34
186	1.44.432120V	Adjustable tilt-foot plate stainless, 120, w. mounting holes	95.96	86.367	8,636.73
187	1.44.4608040	Adjustable tilt-foot spindle steel, M8x40	2.99	2.688	268.83
187	1.44.4608080	Adjustable tilt-foot spindle steel, M8x80	2.99	2.688	268.83
187	1.44.4610045	Adjustable tilt-foot spindle steel, M10x45	3.46	3.116	311.55
187	1.44.4610090	Adjustable tilt-foot spindle steel, M10x90	3.62	3.254	325.37
187	1.44.4612066	Adjustable tilt-foot spindle steel, M12x66	2.99	2.688	268.83
187	1.44.4612100	Adjustable tilt-foot spindle steel, M12x100	3.31	2.977	297.73
187	1.44.4614066	Adjustable tilt-foot spindle steel, M14x66	3.15	2.839	283.92
187	1.44.4614066V	Adjustable tilt-foot spindle stainless, M14x66	8.45	7.600	760.03
187	1.44.4614088V	Adjustable tilt-foot spindle stainless, M14x88	9.59	8.631	863.05
187	1.44.4614100	Adjustable tilt-foot spindle steel, M14x100	3.94	3.543	354.26
187	1.44.4614100V	Adjustable tilt-foot spindle stainless, M14x100	9.60	8.643	864.30
187	1.44.4614125V	Adjustable tilt-foot spindle stainless, M14x125	10.60	9.535	953.49
187	1.44.4614150	Adjustable tilt-foot spindle steel, M14x150	5.17	4.661	466.07
187	1.44.4614150V	Adjustable tilt-foot spindle stainless, M14x150	12.21	10.992	1,099.22
187	1.44.4616066	Adjustable tilt-foot spindle steel, M16x66	3.62	3.254	325.37
187	1.44.4616100	Adjustable tilt-foot spindle steel, M16x100	5.17	4.661	466.07
187	1.44.4616150	Adjustable tilt-foot spindle steel, M16x150	6.76	6.080	608.02
187	1.44.4620100	Adjustable tilt-foot spindle steel, M20x100	9.43	8.492	849.23
187	1.44.4620150	Adjustable tilt-foot spindle steel, M20x150	12.25	11.030	1,102.98
187	1.44.46M08	Adjustable tilt-foot nut M8	0.12	0.113	11.31
187	1.44.46M10	Adjustable tilt-foot nut M10	0.21	0.188	18.85
187	1.44.46M12	Adjustable tilt-foot nut M12	0.31	0.276	27.64
187	1.44.46M14	Adjustable tilt-foot nut M14	0.49	0.440	43.97
187	1.44.46M14V	Adjustable tilt-foot nut M14, stainless	0.92	0.829	82.91
187	1.44.46M16	Adjustable tilt-foot nut M16	0.59	0.528	52.76
187	1.44.46M20	Adjustable tilt-foot nut M20	1.12	1.005	100.49
188	1.44.471030	Adjustable tilt-foot anti-slip disc for plate 30	1.16	1.043	104.27
188	1.44.471040	Adjustable tilt-foot anti-slip disc for plate 40	1.32	1.181	118.09
188	1.44.471045	Adjustable tilt-foot anti-slip disc for plate 45	1.38	1.244	124.37
188	1.44.471050	Adjustable tilt-foot anti-slip disc for plate 50	1.46	1.319	131.91
188	1.44.471060	Adjustable tilt-foot anti-slip disc for plate 60	1.62	1.457	145.73
188	1.44.471080	Adjustable tilt-foot anti-slip disc for plate 80	2.00	1.796	179.64
188	1.44.471100	Adjustable tilt-foot anti-slip disc for plate 100	3.21	2.889	288.94
188	1.44.471120	Adjustable tilt-foot anti-slip disc for plate 120	3.54	3.178	317.83
188	1.44.472040	Adjustable tilt-foot cushion element for plate 40	2.30	2.073	207.28
188	1.44.472045	Adjustable tilt-foot cushion element for plate 45	2.38	2.148	214.82

□.□□.□□□□□□.□□.99 = PU of 100 pieces

Page	Article-No.	Description	1 Piece	PU = 100 Pcs	
			\$/Piece	\$/Piece	\$/PU
188	1.44.472050	Adjustable tilt-foot cushion element for plate 50	2.46	2.211	221.10
188	1.44.472060	Adjustable tilt-foot cushion element for plate 60	2.61	2.349	234.92
188	1.44.472080	Adjustable tilt-foot cushion element for plate 80	3.54	3.178	317.83
188	1.44.472100	Adjustable tilt-foot cushion element for plate 100	5.00	4.497	449.74
188	1.44.472120	Adjustable tilt-foot cushion element for plate 120	6.45	5.804	580.39
189	1.44.716001	Angular adjusting foot without adjusting screw	17.99		
189	1.44.716002	Angular adjusting foot with adjusting screw	28.20		
195	1.44.80BP40.20	Profile mounting set 4 EM8	4.97	4.472	447.23
195	1.44.80BP80.20	Profile mounting set 6 EM8	7.45	6.708	670.84
196	1.44.820001	Base angle 200x87x42	13.34	12.010	1,200.98
190	1.44.83040	Base foot for profile 40x40	36.55		
190	1.44.83BB	Floor mounting set 3 MKT	7.91	7.123	712.29
191	1.44.84.4040.00L	Base foot 40x40, type 1, left	33.78		
191	1.44.84.4040.00R	Base foot 40x40, type 1, right	33.78		
191	1.44.84.4040.40L	Base foot 40x40, type 2, left	33.78		
191	1.44.84.4040.40R	Base foot 40x40, type 2, right	33.78		
192	1.44.84.4080.00L	Base foot 40x80, type 1, left	36.99		
192	1.44.84.4080.00R	Base foot 40x80, type 1, right	36.99		
192	1.44.84.4080.40L	Base foot 40x80, type 2, left	41.60		
192	1.44.84.4080.40R	Base foot 40x80, type 2, right	41.60		
192	1.44.84.4545.45L	Base foot 45x45, type 2, left	33.78		
192	1.44.84.4545.45R	Base foot 45x45, type 2, right	33.78		
193	1.44.84.4590.45L	Base foot 45x90, type 2, left	41.60		
193	1.44.84.4590.45R	Base foot 45x90, type 2, right	41.60		
193	1.44.84.6080.60L	Base foot 60x80, type 2, left	41.60		
193	1.44.84.6080.60R	Base foot 60x80, type 2, right	41.60		
194	1.44.84BB	Floor mounting set 4 MKT	10.28	9.259	925.85
190	1.44.89011324	Plain washer 1xØ24/11	0.39	0.352	35.18
196	1.44.901221	Stacking foot	7.46	6.721	672.09
197	1.45.11050	Fixed castor with bolt hole, Ø50	8.55		
197	1.45.11075	Fixed castor with bolt hole, Ø75	10.93		
197	1.45.11100	Fixed castor with bolt hole, Ø100	17.09		
197	1.45.11125	Fixed castor with bolt hole, Ø125	18.14		
197	1.45.12050	Fixed castor with fitting plate, Ø50	9.34		
197	1.45.12075	Fixed castor with fitting plate, Ø75	11.72		
197	1.45.12100	Fixed castor with fitting plate, Ø100	19.55		
197	1.45.12125	Fixed castor with fitting plate, Ø125	20.73		
198	1.45.21050	Swivel castor with bolt hole, Ø50	9.03		
198	1.45.21075	Swivel castor with bolt hole, Ø75	12.18		
198	1.45.21100	Swivel castor with bolt hole, Ø100	23.33		
198	1.45.21125	Swivel castor with bolt hole, Ø125	25.28		
198	1.45.22050	Swivel castor with fitting plate, Ø50	9.03		
198	1.45.22075	Swivel castor with fitting plate, Ø75	11.62		
198	1.45.22100	Swivel castor with fitting plate, Ø100	25.19		
198	1.45.22125	Swivel castor with fitting plate, Ø125	25.20		
198	1.45.31050	Swivel castor stop fix with bolt hole fitting, Ø50	12.25		
198	1.45.31075	Swivel castor stop fix with bolt hole fitting, Ø75	17.44		
198	1.45.31100	Swivel castor stop fix with bolt hole fitting, Ø100	37.05		
198	1.45.31125	Swivel castor stop fix with bolt hole fitting, Ø125	37.84		
198	1.45.32050	Swivel castor stop fix with fitting plate, Ø50	12.18		
198	1.45.32075	Swivel castor stop fix with fitting plate, Ø75	17.36		
198	1.45.32100	Swivel castor stop fix with fitting plate, Ø100	36.83		
198	1.45.32125	Swivel castor stop fix with fitting plate, Ø125	38.64		
199	1.45.80200.073	Locking castor 200 kg, with plate, Ø50	69.86		
199	1.45.80400.090	Locking castor 400 kg, with plate, Ø62	105.95		
200	1.45.81000.M16M14	Threaded bolt M16/M14	5.31		

□.□□.□□□□□□.□□.99 = PU of 100 pieces

Page	Article-No.	Description	1 Piece	PU = 100 Pcs	
			\$/Piece	\$/Piece	\$/PU
200	1.45.81200.046	Locking castor 200 kg, with center thread, Ø50	69.86		
200	1.45.81400.065	Locking castor 400 kg, with center thread, Ø62	105.95		
201	1.46.110	Angle 25×40, Ø6.6	2.99		
201	1.46.115	Angle 25×40, Ø8.7	2.99		
201	1.46.120	Angle 25×40, M6	4.64		
202	1.46.203.2028.1	Angle PA, 20×28, grey	2.21	1.985	198.49
202	1.46.203.2028.2	Angle PA, 20×28, black	2.21	1.985	198.49
202	1.46.203.3038.1	Angle PA, 30×38, grey	2.99	2.688	268.83
202	1.46.203.3038.2	Angle PA, 30×38, black	2.99	2.688	268.83
203	1.46.204.1720.1	Angle GD-Zn, 17×20, natural	1.69	1.520	152.01
203	1.46.204.1720.1FF	Angle connection set 1720, F/F, natural	3.26	2.927	292.71
203	1.46.204.1720.1HF	Angle connection set 1720, H/F, natural	3.47	3.128	312.80
203	1.46.204.1720.1HH	Angle connection set 1720, H/H, natural	3.70	3.329	332.91
203	1.46.204.1720.2	Angle GD-Zn, 17×20, powder-coated	3.01	2.701	270.10
203	1.46.204.1720.2FF	Angle connection set 1720, F/F, powder-coated	4.56	4.108	410.80
203	1.46.204.1720.2HF	Angle connection set 1720, H/F, powder-coated	4.79	4.309	430.89
203	1.46.204.1720.2HH	Angle connection set 1720, H/H, powder-coated	5.01	4.510	450.99
203	1.46.204.1720A	Cover cap for angle GD-Zn, 17×20	0.49	0.440	43.97
203	1.46.204.1720T1FF	Angle connection set 1720 T, F/F, natural	5.17	4.661	466.07
203	1.46.204.1720T1HF	Angle connection set 1720 T, H/F, natural	4.44	3.995	399.49
203	1.46.204.1720T2FF	Angle connection set 1720 T, F/F, powder-coated	6.49	5.842	584.16
203	1.46.204.1720T2HF	Angle connection set 1720 T, H/F, powder-coated	5.75	5.176	517.57
204	1.46.204.2828.1	Angle GD-Zn, 28×28, natural	2.53	2.274	227.38
204	1.46.204.2828.1EE	Angle connection set 2828, E/E, natural	4.10	3.681	368.08
204	1.46.204.2828.1FE	Angle connection set 2828, F/E, natural	4.10	3.681	368.08
204	1.46.204.2828.1FF	Angle connection set 2828, F/F, natural	4.10	3.681	368.08
204	1.46.204.2828.2	Angle GD-Zn, 28×28, powder-coated	4.23	3.806	380.65
204	1.46.204.2828.2EE	Angle connection set 2828, E/E, powder-coated	5.80	5.213	521.35
204	1.46.204.2828.2FE	Angle connection set 2828, F/E, powder-coated	5.80	5.213	521.35
204	1.46.204.2828.2FF	Angle connection set 2828, F/F, powder-coated	5.80	5.213	521.35
204	1.46.204.2828A	Cover cap for angle GD-Zn, 28×28	0.74	0.666	66.58
204	1.46.204.2828T1EE	Angle connection set 2828 T, E/E, natural	6.01	5.414	541.44
204	1.46.204.2828T1FE	Angle connection set 2828 T, F/E, natural	6.01	5.414	541.44
204	1.46.204.2828T1FF	Angle connection set 2828 T, F/F, natural	6.01	5.414	541.44
204	1.46.204.2828T2EE	Angle connection set 2828 T, E/E, powder-coated	7.71	6.947	694.71
204	1.46.204.2828T2FE	Angle connection set 2828 T, F/E, powder-coated	7.71	6.947	694.71
204	1.46.204.2828T2FF	Angle connection set 2828 T, F/F, powder-coated	7.71	6.947	694.71
206	1.46.204.3876.1	Angle GD-Zn, 38×76, natural	6.50	5.854	585.41
206	1.46.204.3876.1EE	Angle connection set 3876, E/E, natural	11.97	10.779	1,077.86
206	1.46.204.3876.1FE	Angle connection set 3876, F/E, natural	11.97	10.779	1,077.86
206	1.46.204.3876.1FF	Angle connection set 3876, F/F, natural	11.97	10.779	1,077.86
206	1.46.204.3876.2	Angle GD-Zn, 38×76, powder-coated	10.41	9.372	937.16
206	1.46.204.3876.2EE	Angle connection set 3876, E/E, powder-coated	15.88	14.296	1,429.62
206	1.46.204.3876.2FE	Angle connection set 3876, F/E, powder-coated	15.88	14.296	1,429.62
206	1.46.204.3876.2FF	Angle connection set 3876, F/F, powder-coated	15.88	14.296	1,429.62
206	1.46.204.3876A	Cover cap for angle GD-Zn, 38×76	1.66	1.495	149.49
206	1.46.204.3876T1EE	Angle connection set 3876 T, E/E, natural	14.10	12.688	1,268.82
206	1.46.204.3876T1FE	Angle connection set 3876 T, F/E, natural	14.10	12.688	1,268.82
206	1.46.204.3876T1FF	Angle connection set 3876 T, F/F, natural	14.10	12.688	1,268.82
206	1.46.204.3876T2EE	Angle connection set 3876 T, E/E, powder-coated	17.40	15.653	1,565.29
206	1.46.204.3876T2FE	Angle connection set 3876 T, F/E, powder-coated	17.40	15.653	1,565.29
206	1.46.204.3876T2FF	Angle connection set 3876 T, F/F, powder-coated	17.40	15.653	1,565.29
205	1.46.204.4039.1	Angle GD-Zn, 40×39, natural	2.83	2.550	255.01
205	1.46.204.4039.1EE	Angle connection set 4039, E/E, natural	5.57	5.013	501.25
205	1.46.204.4039.1FE	Angle connection set 4039, F/E, natural	5.57	5.013	501.25
205	1.46.204.4039.1FF	Angle connection set 4039, F/F, natural	5.57	5.013	501.25
205	1.46.204.4039.2	Angle GD-Zn, 40×39, powder-coated	4.16	3.744	374.37
205	1.46.204.4039.2EE	Angle connection set 4039, E/E, powder-coated	6.89	6.206	620.59
205	1.46.204.4039.2FE	Angle connection set 4039, F/E, powder-coated	6.89	6.207	620.72
205	1.46.204.4039.2FF	Angle connection set 4039, F/F, powder-coated	6.89	6.207	620.72

□.□.□.□.□.□.□.□.99 = PU of 100 pieces

Page	Article-No.	Description	1 Piece	PU = 100 Pcs	
			\$/Piece	\$/Piece	\$/PU
205	1.46.204.4039A	Cover cap for angle GD-Zn, 40x39	0.89	0.804	80.40
205	1.46.204.4039T1EE	Angle connection set 4039 T, E/E, natural	6.32	5.691	569.08
205	1.46.204.4039T1FE	Angle connection set 4039 T, F/E, natural	6.32	5.691	569.08
205	1.46.204.4039T1FF	Angle connection set 4039 T, F/F, natural	6.32	5.691	569.08
205	1.46.204.4039T2EE	Angle connection set 4039 T, E/E, powder-coated	7.65	6.884	688.42
205	1.46.204.4039T2FE	Angle connection set 4039 T, F/E, powder-coated	7.65	6.884	688.42
205	1.46.204.4039T2FF	Angle connection set 4039 T, F/F, powder-coated	7.65	6.884	688.42
209	1.46.204.4242.1AL	Angle GD-AL, 42x42	3.33	2.990	298.98
209	1.46.204.4242.AAL	Cover cap for angle GD-AL, 42x42	1.02	0.917	91.70
209	1.46.204.4242.SAL	Angle connection set 4242, E/E	6.05	5.452	545.21
207	1.46.204.5757.1	Angle GD-Zn, 57x57, natural	6.88	6.193	619.33
207	1.46.204.5757.1EE	Angle connection set 5757, E/E, natural	9.62	8.656	865.55
207	1.46.204.5757.1FE	Angle connection set 5757, F/E, natural	11.37	10.238	1,023.85
207	1.46.204.5757.1FF	Angle connection set 5757, F/F, natural	13.14	11.821	1,182.13
207	1.46.204.5757.2	Angle GD-Zn, 57x57, powder-coated	9.47	8.517	851.73
207	1.46.204.5757.2EE	Angle connection set 5757, E/E, powder-coated	12.20	10.980	1,097.97
207	1.46.204.5757.2FE	Angle connection set 5757, F/E, powder-coated	13.97	12.563	1,256.25
207	1.46.204.5757.2FF	Angle connection set 5757, F/F, powder-coated	15.72	14.145	1,414.53
207	1.46.204.5757A	Cover cap for angle GD-Zn, 57x57	1.82	1.646	164.57
207	1.46.204.5757T1EE	Angle connection set 5757 T, E/E, natural	10.37	9.334	933.39
207	1.46.204.5757T1FE	Angle connection set 5757 T, F/E, natural	15.60	14.045	1,404.49
207	1.46.204.5757T1FF	Angle connection set 5757 T, F/F, natural	20.84	18.756	1,875.58
207	1.46.204.5757T2EE	Angle connection set 5757 T, E/E, powder-coated	12.95	11.658	1,165.80
207	1.46.204.5757T2FE	Angle connection set 5757 T, F/E, powder-coated	18.18	16.369	1,636.90
207	1.46.204.5757T2FF	Angle connection set 5757 T, F/F, powder-coated	23.42	21.080	2,107.98
208	1.46.204.7476.1	Angle GD-Zn, 74x76, natural	10.68	9.610	961.03
208	1.46.204.7476.1EE	Angle connection set 7476, E/E, natural	22.52	20.263	2,026.33
208	1.46.204.7476.2	Angle GD-Zn, 74x76, powder-coated	17.65	15.879	1,587.90
208	1.46.204.7476.2EE	Angle connection set 7476, E/E, powder-coated	28.58	25.728	2,572.81
208	1.46.204.7476A	Cover cap for angle GD-Zn, 74x76	3.06	2.751	275.12
209	1.46.204.8886.1AL	Angle GD-AL, 88x86	12.04	10.829	1,082.89
209	1.46.204.8886.AAL	Cover cap for angle GD-AL, 88x86	3.06	2.751	275.12
209	1.46.204.8886.SAL	Angle connection set 8886, E/E	22.97	20.678	2,067.79
210	1.46.20536	Angle 48x48, Ø6.6 B30	7.22		
210	1.46.20539	Angle 48x48, Ø9.0 B30	7.22		
210	1.46.20546	Angle 48x48, Ø6.6 B45	8.41		
210	1.46.20549	Angle 48x48, Ø9.0 B45	8.41		
210	1.46.20639	Angle 60x60, Ø9.0 B30	9.27		
210	1.46.20649	Angle 60x60, Ø9.0 B45	10.05		
210	1.46.21036	Angle 100x100, Ø6.6 B30	10.05		
210	1.46.21039	Angle 100x100, Ø9.0 B30	10.05		
210	1.46.21046	Angle 100x100, Ø6.6 B45	11.62		
210	1.46.21049	Angle 100x100, Ø9.0 B45	11.62		
211	1.46.3012900.AL	Swivel angle, L131, alu	13.61		
211	1.46.3012900.ST	Swivel angle, L131, steel	10.05		
211	1.46.3014400.AL	Swivel angle, L146, alu	13.45		
211	1.46.3014400.ST	Swivel angle, L146, steel	10.05		
211	1.46.3110530.AL	Swivel angle 30, alu	14.98		
211	1.46.3110530.ST	Swivel angle 30, steel	11.00		
212	1.46.3110545.AL	Swivel angle 45, alu	14.98		
212	1.46.3110545.ST	Swivel angle 45, steel	11.00		
212	1.47.1065	Cross connection plate 65x65	6.37		
212	1.47.1085	Cross connection plate 85x85	6.37		
212	1.47.1095	Cross connection plate 95x95	7.78		
212	1.47.1125	Cross connection plate 125x125	11.03		
226	1.47.2030060.0600.0	Pneumatic end plate set w/o thread 30x60	19.90		
214	1.47.2030060.0600.1	Base plate w/o thread 30x60	14.62		

□.□.□.□.□.□.□.□.99 = PU of 100 pieces

Page	Article-No.	Description	PU = 100 Pcs		
			1 Piece \$/Piece	\$/Piece	\$/PU
214	1.47.20306	Base plate 30x60, M14	14.62		
226	1.47.2040080.0800.0	Pneumatic end plate set w/o thread 40x80	21.61		
214	1.47.2040080.0800.1	Base plate w/o thread 40x80	16.33		
214	1.47.20408	Base plate 40x80, M14	16.33		
214	1.47.2045090	Base plate 45x90, M14	17.40		
226	1.47.2045090.0800.0	Pneumatic end plate set w/o thread 45x90	22.66		
214	1.47.2045090.0800.1	Base plate w/o thread 45x90	17.40		
226	1.47.2050100.0800.0	Pneumatic end plate set w/o thread 50x100	23.42		
214	1.47.2050100.0800.1	Base plate w/o thread 50x100	18.14		
226	1.47.2050150.0800.0	Pneumatic end plate set w/o thread 50x150	18.30		
214	1.47.2050150.0800.1	Base plate w/o thread 50x150	12.57		
214	1.47.20510	Base plate 50x100, M14	18.14		
214	1.47.2060060	Base plate 60x60, M14	13.05		
214	1.47.2060060.0800.1	Base plate w/o thread 60x60	13.05		
214	1.47.2060090	Base plate 60x90, M14	15.04		
227	1.47.2060090.0800.0	Pneumatic end plate set w/o thread 60x60	22.29		
214	1.47.2060090.0800.1	Base plate w/o thread 60x90	15.04		
227	1.47.2080080.0800.0	Pneumatic end plate set w/o thread 80x80	26.61		
214	1.47.2080080.0800.1	Base plate w/o thread 80x80	20.88		
227	1.47.2080080W.0800.0	Pneumatic end plate set w/o thread 80x80 W	24.51		
227	1.47.2080080W.0800.1	Base plate w/o thread 80x80 W	18.78		
214	1.47.20808	Base plate 80x80, M14	20.88		
214	1.47.2090090	Base plate 90x90, M14	22.16		
214	1.47.2090090.0800.1	Base plate w/o thread 90x90	22.16		
227	1.47.2100100.0800.0	Pneumatic end plate set w/o thread 100x100	29.14		
214	1.47.2100100.0800.1	Base plate w/o thread 100x100	23.41		
214	1.47.21010	Base plate 100x100, M14	23.41		
215	1.47.225160.1	Floor mounting plate, natural	18.35		
215	1.47.225160.2	Floor mounting plate, black powder-coated	24.42		
216	1.47.30306	Mounting plate for profile 30x60	23.57		
216	1.47.30408	Mounting plate for profile 40x80	23.57		
216	1.47.30510	Mounting plate for profile 50x100	23.57		
216	1.47.40315	Floor plate 30x150x150	42.40		
217	1.47.50306	Connection plate 30x60	3.84		
217	1.47.50408	Connection plate 40x80	4.12		
217	1.47.50459	Connection plate 45x90	4.40		
217	1.47.50508	Connection plate 50x80	7.70		
217	1.47.50708	Connection plate 70x80	7.70		
217	1.47.50758	Connection plate 75x80	7.70		
217	1.47.50808	Connection plate 80x80	7.70		
218	1.47.60315	Fastening plate 30x150	11.93		
219	1.47.96314	Eye-bolt M14	7.70	6.934	693.45
220	1.48.14410	Corner piece set cubic PA	7.61	6.847	684.66
220	1.48.14412	Corner piece cover cap, cubic PA	1.93	1.734	173.37
221	1.48.14440	Corner piece set 45 deg. PA	7.61	6.847	684.66
221	1.48.14442	Corner piece cover cap, 45 deg. PA	1.93	1.734	173.37
221	1.48.14480	Corner piece set spherical PA	7.61	6.847	684.66
221	1.48.14482	Corner piece cover cap, spherical PA	1.93	1.734	173.37
223	1.48.221	Corner piece cubic 20, anodized	11.03		
223	1.48.221.2	Corner piece cubic 20, black	10.21		
223	1.48.222	Corner piece segment 20, anodized	11.78		
223	1.48.222.2	Corner piece segment 20, black	11.78		
223	1.48.223	Corner piece segment, 2gang 20, anodized	12.29		
223	1.48.223.2	Corner piece segment, 2gang 20, black	12.29		
223	1.48.228	Corner piece sphere, 20, anodized	12.29		
223	1.48.228.2	Corner piece sphere, 20, black	12.29		
223	1.48.331	Corner piece cubic 30, anodized	11.78		
223	1.48.331.2	Corner piece cubic 30, black	11.78		
223	1.48.332	Corner piece segment 30, anodized	13.34		

□.□□.□□□□□□.□□.99 = PU of 100 pieces

Page	Article-No.	Description	1 Piece		PU = 100 Pcs	
				\$/Piece	\$/Piece	\$/PU
223	1.48.332.2	Corner piece segment 30, black		13.34		
223	1.48.333	Corner piece segment, 2gang 30, anodized		14.12		
223	1.48.333.2	Corner piece segment, 2gang 30, black		14.12		
223	1.48.338	Corner piece sphere 30, anodized		15.72		
223	1.48.338.2	Corner piece sphere 30, black		15.72		
223	1.48.441	Corner piece cubic 40, anodized		14.12		
223	1.48.441.2	Corner piece cubic 40, black		14.12		
223	1.48.442	Corner piece segment 40, anodized		15.72		
223	1.48.442.2	Corner piece segment 40, black		15.72		
223	1.48.443	Corner piece segment, 2gang 40, anodized		18.01		
223	1.48.443.2	Corner piece segment, 2gang 40, black		18.01		
223	1.48.448	Corner piece sphere 40, anodized		21.36		
223	1.48.448.2	Corner piece sphere 40, black		21.36		
223	1.48.551	Corner piece cubic 50, anodized		21.36		
223	1.48.551.2	Corner piece cubic 50, black		21.36		
223	1.48.552	Corner piece segment 50, anodized		23.59		
223	1.48.552.2	Corner piece segment 50, black		23.59		
223	1.48.553	Corner piece segment, 2gang 50, anodized		28.48		
223	1.48.553.2	Corner piece segment, 2gang 50, black		28.48		
223	1.48.558	Corner piece sphere 50, anodized		28.48		
223	1.48.558.2	Corner piece sphere 50, black		28.48		
228	1.51.13060	Pneumatic end plate set 30x60		17.44		
228	1.51.13061	Pneumatic end plate 30x60		9.27		
228	1.51.13062	Pneumatic seal 30x60		3.31		
228	1.51.14080	Pneumatic end plate set 40x80		17.44		
228	1.51.14081	Pneumatic end plate 40x80		9.27		
228	1.51.14082	Pneumatic seal 40x80		3.31		
228	1.51.14590	Pneumatic end plate set 45x90		16.47		
228	1.51.14591	Pneumatic end plate 45x90		9.27		
228	1.51.14592	Pneumatic seal 45x90		3.31		
228	1.51.15100	Pneumatic end plate set 50x100		17.44		
228	1.51.15101	Pneumatic end plate 50x100		9.27		
228	1.51.15102	Pneumatic seal 50x100		3.31		
228	1.51.15150	Pneumatic end plate set 50x150		23.63		
228	1.51.15151	Pneumatic end plate 50x150		12.57		
228	1.51.15152	Pneumatic seal 50x150		3.76		
229	1.51.16090	Pneumatic end plate set 60x90		17.96		
229	1.51.16091	Pneumatic end plate 60x90		10.75		
229	1.51.16092	Pneumatic seal ring 60x90		3.31		
229	1.51.18080	Pneumatic end plate set 80x80		27.64		
229	1.51.18080W	Pneumatic end plate set 80x80 W		29.85		
229	1.51.18081	Pneumatic end plate 80x80		14.12		
229	1.51.18081W	Pneumatic end plate 80x80 W		18.78		
229	1.51.18082	Pneumatic seal 80x80		3.76		
229	1.51.18082W	Pneumatic seal 80x80 W		3.76		
229	1.51.20100	Pneumatic end plate set 100x100		29.22		
229	1.51.20101	Pneumatic end plate 100x100		15.72		
229	1.51.20102	Pneumatic seal 100x100		3.76		
230	1.52.03061	Pneumatic connection plate set 30x60		20.58		
230	1.52.03062	Pneumatic connection plate 30x60		14.84		
230	1.52.04591	Pneumatic connection plate set 45x90		20.18		
230	1.52.04592	Pneumatic connection plate 45x90		14.84		
230	1.52.14081	Pneumatic connection plate set 40x80		20.58		
230	1.52.14082	Pneumatic connection plate 40x80		14.84		
230	1.52.15101	Pneumatic connection plate set 50x100		20.58		
230	1.52.15102	Pneumatic connection plate 50x100		14.84		
231	1.54.03061	Pneumatic extension set 30x60		15.55		
231	1.54.04081	Pneumatic extension set 40x80		15.55		
231	1.54.04591	Pneumatic extension set 45x90		15.55		
231	1.54.05101	Pneumatic extension set 50x100		15.55		
231	1.54.05151	Pneumatic extension set 50x150		21.68		
231	1.54.06091	Pneumatic extension set 60x90		15.56		
231	1.54.08081	Pneumatic extension set 80x80		27.80		

□.□□.□□□□□□.□□.99 = PU of 100 pieces

Page	Article-No.	Description	1 Piece	PU = 100 Pcs	
			\$/Piece	\$/Piece	\$/PU
231	1.54.08081W	Pneumatic extension set 80x80 W	27.80		
231	1.54.10101	Pneumatic extension set 100x100	27.80		
232	1.55.03061	Pneumatic 90 deg. connection set 30x60	9.43		
232	1.55.04081	Pneumatic 90 deg. connection set 40x80	9.43		
232	1.55.04591	Pneumatic 90 deg. connection set 45x90	9.43		
232	1.55.05101	Pneumatic 90 deg. connection set 50x100	9.43		
232	1.55.05151	Pneumatic 90 deg. connection set 50x150	12.97		
232	1.55.06091	Pneumatic 90 deg. connection set 60x90	9.43		
232	1.55.08081	Pneumatic 90 deg. connection set 80x80	33.97		
232	1.55.08084	Connecting plate 80x80	17.20		
233	1.55.10101	Pneumatic 90 deg. connection set 100x100	35.55		
233	1.55.10104	Connecting plate 100x100	18.79		
233	1.59.01030	Blanking plug, B-1/4"	2.46		
233	1.59.01050	Blanking plug, B-1/2"	3.99		
233	1.59.02040	Reducing nipple, 1/4" i - 3/8" a	1.90		
233	1.59.02050	Reducing nipple, 3/8" i - 1/2" a	3.46		
233	1.59.03030	Sealing ring, D1/4"	0.49		
233	1.59.03040	Sealing ring, D3/8"	0.49		
233	1.59.03050	Sealing ring, D1/2"	0.49		
230	1.59.11403	O-ring, 14x3	0.72		
230	1.59.12003	O-ring, 20x3	0.80		
234	1.61.20.1	Handle light PA, grey	2.45	2.198	219.85
234	1.61.20.2	Handle light PA, black	2.45	2.198	219.85
234	1.61.210	Handle light	10.05		
235	1.61.230	Handle PA, with thread M8	20.40		
235	1.61.24110	Handle PA, with bore Ø6.5 L110	2.75		
235	1.61.24139	Handle PA, with bore Ø6.5 L139	3.31		
235	1.61.24151	Handle PA, with bore Ø8.5 L151	4.64	4.183	418.34
235	1.61.24200	Handle PA, with bore Ø8.5 L200	6.52		
235	1.61.24260	Handle PA, with bore Ø10.5 L260	9.34		
235	1.61.25110	Handle PA, with thread M6, L110	4.40		
235	1.61.25139	Handle PA, with thread M6, L139	4.96		
235	1.61.25151	Handle PA, with thread M8, L151	7.55		
235	1.61.25200	Handle PA, with thread M8, L200	9.19		
235	1.61.25260	Handle PA, with thread M10, L260	11.46		
236	1.61.280	Corner piece PA - GF	15.55		
236	1.61.281	Centre piece PA - GF	15.55		
237	1.61.290	Oval corner piece right	15.55		
237	1.61.291	Oval corner piece left	15.55		

Page	Article-No.	Description	bar		
			length (m)	\$/m	\$/bar
237	1.61.292.30	Oval tube 35x4	3	25.12	75.37

Page	Article-No.	Description	1 Piece	PU = 100 Pcs	
			\$/Piece	\$/Piece	\$/PU
239	1.62.12032	Hinge 20x32	2.83	2.550	255.01
239	1.62.23039	Hinge 30x39	2.21	1.985	198.49
239	1.62.24040	Hinge 40x40	8.83	7.952	795.21
241	1.62.331.16/16L	Hinge 31, A 16.5, left	7.53	6.771	677.12
241	1.62.331.16/16R	Hinge 31, A 16.5, right	7.53	6.771	677.12
241	1.62.331.16/19L	Hinge 31, A 16.5 A1 19, left	7.83	7.048	704.75
241	1.62.331.16/19R	Hinge 31, A 16.5 A1 19, right	7.83	7.048	704.75
241	1.62.331.16/21L	Hinge 31, A 16.5 A1 21.5, left	8.14	7.324	732.39
241	1.62.331.16/21R	Hinge 31, A 16.5 A1 21.5, right	8.14	7.324	732.39

□.□□.□□□□□□.□□.99 = PU of 100 pieces

Page	Article-No.	Description	1 Piece	PU = 100 Pcs	
			\$/Piece	\$/Piece	\$/PU
241	1.62.331.16/24L	Hinge 31, A 16.5 A1 24, left	8.45	7.600	760.03
241	1.62.331.16/24R	Hinge 31, A 16.5 A1 24, right	8.45	7.600	760.03
241	1.62.331.16/26L	Hinge 31, A 16.5 A1 26.5, left	8.91	8.015	801.48
241	1.62.331.16/26R	Hinge 31, A 16.5 A1 26.5, right	8.91	8.015	801.48
241	1.62.331.19/16L	Hinge 31, A 19 A1 16.5, left	7.83	7.048	704.75
241	1.62.331.19/16R	Hinge 31, A 19 A1 16.5, right	7.83	7.048	704.75
241	1.62.331.19/19L	Hinge 31, A 19, left	8.14	7.324	732.39
241	1.62.331.19/19R	Hinge 31, A 19, right	8.14	7.324	732.39
241	1.62.331.19/21L	Hinge 31, A 19 A1 21.5, left	8.45	7.600	760.03
241	1.62.331.19/21R	Hinge 31, A 19 A1 21.5, right	8.45	7.600	760.03
241	1.62.331.19/24L	Hinge 31, A 19 A1 24, left	8.75	7.877	787.67
241	1.62.331.19/24R	Hinge 31, A 19 A1 24, right	8.75	7.877	787.67
241	1.62.331.19/26L	Hinge 31, A 19 A1 26.5, left	9.22	8.291	829.12
241	1.62.331.19/26R	Hinge 31, A 19 A1 26.5, right	9.22	8.291	829.12
241	1.62.331.21/16L	Hinge 31, A 21.5 A1 16.5, left	8.14	7.324	732.39
241	1.62.331.21/16R	Hinge 31, A 21.5 A1 16.5, right	8.14	7.324	732.39
241	1.62.331.21/19L	Hinge 31, A 21.5 A1 19, left	8.45	7.600	760.03
241	1.62.331.21/19R	Hinge 31, A 21.5 A1 19, right	8.45	7.600	760.03
241	1.62.331.21/21L	Hinge 31, A 21.5, left	8.91	8.015	801.48
241	1.62.331.21/21R	Hinge 31, A 21.5, right	8.91	8.015	801.48
241	1.62.331.21/24L	Hinge 31, A 21.5 A1 24, left	9.06	8.153	815.30
241	1.62.331.21/24R	Hinge 31, A 21.5 A1 24, right	9.06	8.153	815.30
241	1.62.331.21/26L	Hinge 31, A 21.5 A1 26.5, left	9.52	8.568	856.76
241	1.62.331.21/26R	Hinge 31, A 21.5 A1 26.5, right	9.52	8.568	856.76
241	1.62.331.24/16L	Hinge 31, A 24 A1 16.5, left	8.45	7.600	760.03
241	1.62.331.24/16R	Hinge 31, A 24 A1 16.5, right	8.45	7.600	760.03
241	1.62.331.24/19L	Hinge 31, A 24 A1 19, left	8.75	7.877	787.67
241	1.62.331.24/19R	Hinge 31, A 24 A1 19, right	8.75	7.877	787.67
241	1.62.331.24/21L	Hinge 31, A 24 A1 21.5, left	9.06	8.153	815.30
241	1.62.331.24/21R	Hinge 31, A 24 A1 21.5, right	9.06	8.153	815.30
241	1.62.331.24/24L	Hinge 31, A 24, left	9.36	8.429	842.94
241	1.62.331.24/24R	Hinge 31, A 24, right	9.36	8.429	842.94
241	1.62.331.24/26L	Hinge 31, A 24 A1 26.5, left	9.83	8.844	884.40
241	1.62.331.24/26R	Hinge 31, A 24 A1 26.5, right	9.83	8.844	884.40
241	1.62.331.26/16L	Hinge 31, A 26.5 A1 16.5, left	8.91	8.015	801.48
241	1.62.331.26/16R	Hinge 31, A 26.5 A1 16.5, right	8.91	8.015	801.48
241	1.62.331.26/19L	Hinge 31, A 26.5 A1 19, left	9.22	8.291	829.12
241	1.62.331.26/19R	Hinge 31, A 26.5 A1 19, right	9.22	8.291	829.12
241	1.62.331.26/21L	Hinge 31, A 26.5 A1 21.5, left	9.52	8.568	856.76
241	1.62.331.26/21R	Hinge 31, A 26.5 A1 21.5, right	9.52	8.568	856.76
241	1.62.331.26/24L	Hinge 31, A 26.5 A1 24, left	9.83	8.844	884.40
241	1.62.331.26/24R	Hinge 31, A 26.5 A1 24, right	9.83	8.844	884.40
241	1.62.331.26/26L	Hinge 31, A 26.5, left	10.13	9.120	912.03
241	1.62.331.26/26R	Hinge 31, A 26.5, right	10.13	9.120	912.03
241	1.62.331x1	Anti-twist device for slot 8 mm	1.22	1.105	110.55
241	1.62.331x2	Anti-twist device for panel elements	0.77	0.691	69.09
243	1.62.348.17/17L	Lift-off hinge 48 A 17.5, left	4.60	4.146	414.56
243	1.62.348.17/17R	Lift-off hinge 48 A 17.5, right	4.60	4.146	414.56
243	1.62.348.17/22L	Lift-off hinge 48 A 17.5 A1 22.5, left	4.76	4.284	428.38
243	1.62.348.17/22R	Lift-off hinge 48 A 17.5 A1 22.5, right	4.76	4.284	428.38
243	1.62.348.17/25L	Lift-off hinge 48 A 17.5 A1 25, left	4.76	4.284	428.38
243	1.62.348.17/25R	Lift-off hinge 48 A 17.5 A1 25, right	4.76	4.284	428.38
243	1.62.348.17/27L	Lift-off hinge 48 A 17.5 A1 27.5, left	4.76	4.284	428.38
243	1.62.348.17/27R	Lift-off hinge 48 A 17.5 A1 27.5, right	4.76	4.284	428.38
243	1.62.348.17/32L	Lift-off hinge 48 A 17.5 A1 32.5, left	4.91	4.422	442.20
243	1.62.348.17/32R	Lift-off hinge 48 A 17.5 A1 32.5, right	4.91	4.422	442.20
243	1.62.348.22/17L	Lift-off hinge 48 A 22.5 A1 17.5, left	4.76	4.284	428.38
243	1.62.348.22/17R	Lift-off hinge 48 A 22.5 A1 17.5, right	4.76	4.284	428.38

□.□.□.□.□.□.□.□.99 = PU of 100 pieces

Page	Article-No.	Description	1 Piece	PU = 100 Pcs	
			\$/Piece	\$/Piece	\$/PU
243	1.62.348.22/22L	Lift-off hinge 48 A 22.5, left	4.76	4.284	428.38
243	1.62.348.22/22R	Lift-off hinge 48 A 22.5, right	4.76	4.284	428.38
243	1.62.348.22/25L	Lift-off hinge 48 A 22.5 A1 25, left	4.91	4.422	442.20
243	1.62.348.22/25R	Lift-off hinge 48 A 22.5 A1 25, right	4.91	4.422	442.20
243	1.62.348.22/27L	Lift-off hinge 48 A 22.5 A1 27.5, left	4.91	4.422	442.20
243	1.62.348.22/27R	Lift-off hinge 48 A 22.5 A1 27.5, right	4.91	4.422	442.20
243	1.62.348.22/32L	Lift-off hinge 48 A 22.5 A1 32.5, left	5.07	4.560	456.02
243	1.62.348.22/32R	Lift-off hinge 48 A 22.5 A1 32.5, right	5.07	4.560	456.02
243	1.62.348.25/17L	Lift-off hinge 48 A 25 A1 17.5, left	4.76	4.284	428.38
243	1.62.348.25/17R	Lift-off hinge 48 A 25 A1 17.5, right	4.76	4.284	428.38
243	1.62.348.25/22L	Lift-off hinge 48 A 25 A1 22.5, left	4.91	4.422	442.20
243	1.62.348.25/22R	Lift-off hinge 48 A 25 A1 22.5, right	4.91	4.422	442.20
243	1.62.348.25/25L	Lift-off hinge 48 A 25, left	4.91	4.422	442.20
243	1.62.348.25/25R	Lift-off hinge 48 A 25, right	4.91	4.422	442.20
243	1.62.348.25/27L	Lift-off hinge 48 A 25 A1 27.5, left	5.07	4.560	456.02
243	1.62.348.25/27R	Lift-off hinge 48 A 25 A1 27.5, right	5.07	4.560	456.02
243	1.62.348.25/32L	Lift-off hinge 48 A 25 A1 32.5, left	5.07	4.560	456.02
243	1.62.348.25/32R	Lift-off hinge 48 A 25 A1 32.5, right	5.07	4.560	456.02
243	1.62.348.27/17L	Lift-off hinge 48 A 27.5 A1 17.5, left	4.76	4.284	428.38
243	1.62.348.27/17R	Lift-off hinge 48 A 27.5 A1 17.5, right	4.76	4.284	428.38
243	1.62.348.27/22L	Lift-off hinge 48 A 27.5 A1 22.5, left	4.91	4.422	442.20
243	1.62.348.27/22R	Lift-off hinge 48 A 27.5 A1 22.5, right	4.91	4.422	442.20
243	1.62.348.27/25L	Lift-off hinge 48 A 27.5 A1 25, left	5.07	4.560	456.02
243	1.62.348.27/25R	Lift-off hinge 48 A 27.5 A1 25, right	5.07	4.560	456.02
243	1.62.348.27/27L	Lift-off hinge 48 A 27.5, left	5.07	4.560	456.02
243	1.62.348.27/27R	Lift-off hinge 48 A 27.5, right	5.07	4.560	456.02
243	1.62.348.27/32L	Lift-off hinge 48 A 27.5 A1 32.5, left	5.23	4.698	469.84
243	1.62.348.27/32R	Lift-off hinge 48 A 27.5 A1 32.5, right	5.23	4.698	469.84
243	1.62.348.32/17L	Lift-off hinge 48 A 32.5 A1 17.5, left	4.91	4.422	442.20
243	1.62.348.32/17R	Lift-off hinge 48 A 32.5 A1 17.5, right	4.91	4.422	442.20
243	1.62.348.32/22L	Lift-off hinge 48 A 32.5 A1 22.5, left	5.07	4.560	456.02
243	1.62.348.32/22R	Lift-off hinge 48 A 32.5 A1 22.5, right	5.07	4.560	456.02
243	1.62.348.32/25L	Lift-off hinge 48 A 32.5 A1 25, left	5.07	4.560	456.02
243	1.62.348.32/25R	Lift-off hinge 48 A 32.5 A1 25, right	5.07	4.560	456.02
243	1.62.348.32/27L	Lift-off hinge 48 A 32.5 A1 27.5, left	5.23	4.698	469.84
243	1.62.348.32/27R	Lift-off hinge 48 A 32.5 A1 27.5, right	5.23	4.698	469.84
243	1.62.348.32/32L	Lift-off hinge 48 A 32.5, left	5.23	4.698	469.84
243	1.62.348.32/32R	Lift-off hinge 48 A 32.5, right	5.23	4.698	469.84
244	1.62.41L	Hinge 32x60, left	5.03	4.523	452.25
244	1.62.41R	Hinge 32x60, right	5.03	4.523	452.25
245	1.62.420.1	Double hinge, grey	6.01	5.414	541.44
245	1.62.420.2	Double hinge, black	6.01	5.414	541.44
246	1.62.448.17/17	Hinge 48 fixed, A 17.5	4.60	4.146	414.56
246	1.62.448.17/22	Hinge 48 fixed, A 17.5 A1 22.5	4.76	4.284	428.38
246	1.62.448.17/25	Hinge 48 fixed, A 17.5 A1 25	4.76	4.284	428.38
246	1.62.448.17/27	Hinge 48 fixed, A 17.5 A1 27.5	4.76	4.284	428.38
246	1.62.448.17/32	Hinge 48 fixed, A 17.5 A1 32.5	4.91	4.422	442.20
246	1.62.448.22/17	Hinge 48 fixed, A 22.5 A1 17.5	4.76	4.284	428.38
246	1.62.448.22/22	Hinge 48 fixed, A 22.5	4.76	4.284	428.38
246	1.62.448.22/25	Hinge 48 fixed, A 22.5 A1 25	4.91	4.422	442.20
246	1.62.448.22/27	Hinge 48 fixed, A 22.5 A1 27.5	4.91	4.422	442.20
246	1.62.448.22/32	Hinge 48 fixed, A 22.5 A1 32.5	5.07	4.560	456.02
246	1.62.448.25/17	Hinge 48 fixed, A 25 A1 17.5	4.76	4.284	428.38
246	1.62.448.25/22	Hinge 48 fixed, A 25 A1 22.5	4.91	4.422	442.20
246	1.62.448.25/25	Hinge 48 fixed, A 25	4.91	4.422	442.20
246	1.62.448.25/27	Hinge 48 fixed, A 25 A1 27.5	5.07	4.560	456.02
246	1.62.448.25/32	Hinge 48 fixed, A 25 A1 32.5	5.07	4.560	456.02

□.□□.□□□□□□.□□.99 = PU of 100 pieces

Page	Article-No.	Description	1 Piece	PU = 100 Pcs	
			\$/Piece	\$/Piece	\$/PU
246	1.62.448.27/17	Hinge 48 fixed, A 27.5 A1 17.5	4.76	4.284	428.38
246	1.62.448.27/22	Hinge 48 fixed, A 27.5 A1 22.5	4.91	4.422	442.20
246	1.62.448.27/25	Hinge 48 fixed, A 27.5 A1 25	5.07	4.560	456.02
246	1.62.448.27/27	Hinge 48 fixed, A 27.5	5.07	4.560	456.02
246	1.62.448.27/32	Hinge 48 fixed, A 27.5 A1 32.5	5.23	4.698	469.84
246	1.62.448.32/17	Hinge 48 fixed, A 32.5 A1 17.5	4.91	4.422	442.20
246	1.62.448.32/22	Hinge 48 fixed, A 32.5 A1 22.5	5.07	4.560	456.02
246	1.62.448.32/25	Hinge 48 fixed, A 32.5 A1 25	5.07	4.560	456.02
246	1.62.448.32/27	Hinge 48 fixed, A 32.5 A1 27.5	5.23	4.698	469.84
246	1.62.448.32/32	Hinge 48 fixed, A 32.5	5.23	4.698	469.84
247	1.62.51030060	Hinge 30x60	11.97	10.779	1,077.86
248	1.62.520	Hinge 40x80	14.84	13.650	1,364.99
248	1.62.53045	Hinge 40x80, for PG 40	14.84	13.650	1,364.99
248	1.62.53050	Hinge 40x80, for PG 45	14.84	13.650	1,364.99
250	1.62.65056	Hinge 50x56	8.59	7.738	773.85
250	1.62.65068	Hinge 50x68	10.13	9.120	912.03
250	1.62.65080	Hinge 50x80	11.05	9.949	994.95
251	1.62.7120	Hinge element Type A, PG 20, F - 1.5	2.69	2.412	241.20
251	1.62.7130	Hinge element Type A, PG 30 - 1.5	3.06	2.751	275.12
251	1.62.7130.030	Hinge element Type A, PG 30 - 3.0	3.84	3.455	345.47
251	1.62.7140	Hinge element Type A, PG 40 - 1.5	3.46	3.116	311.55
251	1.62.7140.030	Hinge element Type A, PG 40 - 3.0	4.46	4.007	400.74
251	1.62.7150	Hinge element Type A, PG 50 - 1.5	3.87	3.480	347.98
251	1.62.7150.030	Hinge element Type A, PG 50 - 3.0	5.00	4.497	449.74
251	1.62.7220	Hinge element Type B, PG 20 - 1.5	2.69	2.412	241.20
251	1.62.7220.030	Hinge element Type B, PG 20 - 3.0	3.76	3.392	339.19
251	1.62.7230	Hinge element Type B, PG 30 - 1.5	3.06	2.751	275.12
251	1.62.7230.030	Hinge element Type B, PG 30 - 3.0	3.84	3.455	345.47
251	1.62.7240	Hinge element Type B, PG 40 - 1.5	3.46	3.116	311.55
251	1.62.7240.030	Hinge element Type B, PG 40 - 3.0	4.46	4.007	400.74
251	1.62.7250	Hinge element Type B, PG 50 - 1.5	3.87	3.480	347.98
251	1.62.7250.030	Hinge element Type B, PG 50 - 3.0	5.00	4.497	449.74
252	1.62.7330	Hinge element Type C, 30 mm	3.87	3.480	347.98
252	1.62.7810	Spacer	0.04	0.038	3.76
252	1.62.7910	Press-fit pin, Ø6, L100	2.05	1.847	184.67
252	1.62.7915	Press-fit pin, Ø6, L150	2.21	1.985	198.49
254	1.62.842027085	Aluminium hinge heavy Type 20, PG 30	10.44	9.397	939.67
254	1.62.842027085V	Aluminium hinge heavy Type 20, PG 30, stainless	11.52	10.364	1,036.40
254	1.62.842032085	Aluminium hinge heavy Type 20, PG 40	10.44	9.397	939.67
254	1.62.842032085V	Aluminium hinge heavy Type 20, PG 40, stainless	11.52	10.364	1,036.40
254	1.62.842037085	Aluminium hinge heavy Type 20, PG 50	10.44	9.397	939.67
254	1.62.842037085V	Aluminium hinge heavy Type 20, PG 50, stainless	11.52	10.364	1,036.40
254	1.62.842127085	Aluminium hinge heavy Type 21, PG 30/60	10.44	9.397	939.67
254	1.62.842127085V	Aluminium hinge heavy Type 21, PG 30/60, stainless	11.52	10.364	1,036.40
254	1.62.842132085	Aluminium hinge heavy Type 21, PG 40/60	10.44	9.397	939.67
254	1.62.842132085V	Aluminium hinge heavy Type 21, PG 40/60, stainless	11.52	10.364	1,036.40
254	1.62.842137085	Aluminium hinge heavy Type 21, PG 50	10.44	9.397	939.67
254	1.62.842137085V	Aluminium hinge heavy Type 21, PG 50, stainless	11.52	10.364	1,036.40
254	1.62.842232085	Aluminium hinge heavy Type 22, PG 40/60	16.73		
254	1.62.842232085V	Aluminium hinge heavy Type 22, PG 40/60, stainless	17.97		
254	1.62.842237085	Aluminium hinge heavy Type 22, PG 50	16.73		
254	1.62.842237085V	Aluminium hinge heavy Type 22, PG 50, stainless	17.97		
254	1.62.842332085	Aluminium hinge heavy Type 23, PG 40/60	14.90		
254	1.62.842332085V	Aluminium hinge heavy Type 23, PG 40/60, stainless	15.81		

□.□□.□□□□□□.□□.99 = PU of 100 pieces

Page	Article-No.	Description	1 Piece	PU = 100 Pcs	
			\$/Piece	\$/Piece	\$/PU
254	1.62.842337085	Aluminium hinge heavy Type 23, PG 50	14.90		
254	1.62.842337085V	Aluminium hinge heavy Type 23, PG 50, stainless	15.81		
254	1.62.843132128	Aluminium hinge heavy Type 31, PG 40/60	16.59		
254	1.62.843132128V	Aluminium hinge heavy Type 31, PG 40/60, stainless	18.27		
254	1.62.843137128	Aluminium hinge heavy Type 31, PG 50	16.59		
254	1.62.843137128V	Aluminium hinge heavy Type 31, PG 50, stainless	18.27		
256	1.63.02021	Joint 20x20	43.19		
256	1.63.02022	Anti-twist device for joint, H, L20	5.28		
256	1.63.02023	Anti-twist device for joint, F, L20	5.28		
256	1.63.03031	Joint 30x30	43.19		
256	1.63.03032	Anti-twist device for joint, L30	7.78		
256	1.63.03051	Joint 30x50	62.02		
256	1.63.03052	Anti-twist device for joint, L50	7.78		
256	1.63.03101	Joint 30x100	80.96		
256	1.63.04041	Joint 40x40	63.65		
256	1.63.04042	Anti-twist device for joint, L40	7.78		
256	1.63.05051	Joint 50x50	68.40		
256	1.63.12021	Joint 20x20 with clamping lever	47.11		
256	1.63.13031	Joint 30x30 with clamping lever	53.39		
256	1.63.13051	Joint 30x50 with clamping lever	69.08		
256	1.63.13101	Joint 30x100 with clamping lever	86.54		
256	1.63.14041	Joint 40x40 with clamping lever	72.23		
256	1.63.15051	Joint 50x50 with clamping lever	73.80		
257	1.63.51030030	Joint Zn 30x30	19.26		
257	1.63.51040040	Joint Zn 40x40	20.24		
257	1.63.51045045	Joint Zn 45x45	21.64		
257	1.63.52030030	Joint Zn 30x30 with clamping lever	24.43		
257	1.63.52040040	Joint Zn 40x40 with clamping lever	29.03		
257	1.63.52045045	Joint Zn 45x45 with clamping lever	30.43		
258	1.64.10M3.1	Mounting block screw-type, M3, grey	3.06	2.751	275.12
258	1.64.10M3.2	Mounting block screw-type, M3, black	3.06	2.751	275.12
258	1.64.10M4.1	Mounting block screw-type, M4, grey	3.06	2.751	275.12
258	1.64.10M4.2	Mounting block screw-type, M4, black	3.06	2.751	275.12
258	1.64.10M5.1	Mounting block screw-type, M5, grey	3.06	2.751	275.12
258	1.64.10M5.2	Mounting block screw-type, M5, black	3.06	2.751	275.12
258	1.64.10M6.1	Mounting block screw-type, M6, grey	3.06	2.751	275.12
258	1.64.10M6.2	Mounting block screw-type, M6, black	3.06	2.751	275.12
259	1.64.153030.1	Mounting block GD-Zn, M8, natural	4.39	3.945	394.46
259	1.64.153030.2	Mounting block GD-Zn, M8, black	5.76	5.188	518.83
261	1.64.2E3M4.1	Mounting block E3, M4, grey	3.06	2.751	275.12
261	1.64.2E3M4.2	Mounting block E3, M4, black	3.06	2.751	275.12
261	1.64.2E3M5.1	Mounting block E3, M5, grey	3.06	2.751	275.12
261	1.64.2E3M5.2	Mounting block E3, M5, black	3.06	2.751	275.12
261	1.64.2E3M6.1	Mounting block E3, M6, grey	3.06	2.751	275.12
261	1.64.2E3M6.2	Mounting block E3, M6, black	3.06	2.751	275.12
261	1.64.2E4M4.1	Mounting block E4, M4, grey	3.06	2.751	275.12
261	1.64.2E4M4.2	Mounting block E4, M4, black	3.06	2.751	275.12
261	1.64.2E4M5.1	Mounting block E4, M5, grey	3.06	2.751	275.12
261	1.64.2E4M5.2	Mounting block E4, M5, black	3.06	2.751	275.12
261	1.64.2E4M6.1	Mounting block E4, M6, grey	3.06	2.751	275.12
261	1.64.2E4M6.2	Mounting block E4, M6, black	3.06	2.751	275.12
260	1.64.2F2M4.1	Mounting block F, M4, grey	3.06	2.751	275.12
260	1.64.2F2M4.2	Mounting block F, M4, black	3.06	2.751	275.12
260	1.64.2F2M5.1	Mounting block F, M5, grey	3.06	2.751	275.12
260	1.64.2F2M5.2	Mounting block F, M5, black	3.06	2.751	275.12
260	1.64.2F2M6.1	Mounting block F, M6, grey	3.06	2.751	275.12
260	1.64.2F2M6.2	Mounting block F, M6, black	3.06	2.751	275.12
260	1.64.2H2M4.2	Mounting block H, M4, black	1.65	1.482	148.24

□.□□.□□□□□□.□□.99 = PU of 100 pieces

Page	Article-No.	Description	PU = 100 Pcs		
			1 Piece \$/Piece	\$/Piece	\$/PU
261	1.64.2x02.1	Distancing plate for mounting block FE, B2, grey	0.24	0.214	21.36
261	1.64.2x02.2	Distancing plate for mounting block FE, B2, black	0.24	0.214	21.36
261	1.64.2x03.1	Distancing plate for mounting block FE, B3, grey	0.24	0.214	21.36
261	1.64.2x03.2	Distancing plate for mounting block FE, B3, black	0.24	0.214	21.36
261	1.64.2x05.1	Distancing plate for mounting block FE, B5, grey	0.24	0.214	21.36
261	1.64.2x05.2	Distancing plate for mounting block FE, B5, black	0.24	0.214	21.36
261	1.64.2x102.1	Distancing plate, thin, for mounting block FE, B2, grey	0.24	0.214	21.36
261	1.64.2x102.2	Distancing plate, thin, for mounting block FE, B2, black	0.24	0.214	21.36
261	1.64.2x103.1	Distancing plate, thin, for mounting block FE, B3, grey	0.24	0.214	21.36
261	1.64.2x103.2	Distancing plate, thin, for mounting block FE, B3, black	0.24	0.214	21.36
261	1.64.2x105.1	Distancing plate, thin, for mounting block FE, B5, grey	0.24	0.214	21.36
261	1.64.2x105.2	Distancing plate, thin, for mounting block FE, B5, black	0.24	0.214	21.36
263	1.64.3E3	Mounting clamp block E3	2.33	2.098	209.79
263	1.64.3E4	Mounting clamp block E4	2.33	2.098	209.79
263	1.64.3F2	Mounting clamp block F	2.33	2.098	209.79
262	1.64.3H2	Mounting clamp block H	1.65	1.482	148.24
263	1.64.3x02	Distancing plate for mounting clamp block FE, B2	0.24	0.214	21.36
263	1.64.3x03	Distancing plate for mounting clamp block FE, B3	0.24	0.214	21.36
263	1.64.3x05	Distancing plate for mounting clamp block FE, B5	0.24	0.214	21.36
264	1.64.4E3	Mounting clamp block E3, SL	2.33	2.098	209.79
264	1.64.4E4	Mounting clamp block E4, SL	2.33	2.098	209.79
264	1.64.4F2	Mounting clamp block F, SL	2.33	2.098	209.79
264	1.64.4W	Tool for mounting clamp block SL	7.06	6.357	635.66
265	1.64.5101	Mounting angle	1.97		
265	1.64.52xx	Retaining ring - all sizes	0.24		
266	1.64.53xx	Sealing washer - all sizes	0.24		
266	1.64.54xx	Round head bolt - all sizes	1.62		
266	1.64.55xx	Knurled head bolt - all sizes	2.91		
266	1.64.56xx	Wing head bolt - all sizes	2.77		
260	1.64.xH01	Distancing plate for mounting (clamp) block H1	0.12	0.113	11.31
260	1.64.xH02	Distancing plate for mounting (clamp) block H2	0.12	0.113	11.31
260	1.64.xH03	Distancing plate for mounting (clamp) block H3	0.12	0.113	11.31
260	1.64.xH04	Distancing plate for mounting (clamp) block H4	0.12	0.113	11.31
267	1.65.1101	Bullet catch 9x50	4.79		
267	1.65.1102	Bullet catch 12x70	7.74		
268	1.65.1201	Bullet catch PA	7.22	6.495	649.48
268	1.65.1301	Angle 20x47, M8	5.53	4.975	497.47
269	1.65.2101	Magnetic lock PA	6.21		
269	1.65.2301	Angle bracket for magnetic lock PA	5.99	5.389	538.93
270	1.65.2538078	Lock GD-ZN	20.73	18.655	1,865.54
271	1.65.3101	Cylinder lock with 2 keys	82.14		
271	1.65.3102	Cylinder lock with double beard insert	70.01		
272	1.65.3201	Cylinder lock with 2 keys, without security latch	17.20		
272	1.65.3202	Cylinder lock with 1 square key, without security latch	6.92		
272	1.65.32xx	Security latch for cylinder lock - all sizes	1.28		
273	1.65.3301	Flap-lock countersunk, for sliding door	8.23		
274	1.65.34156	Cylinder lock, flush mounting, square, GL56	21.35	19.208	1,920.81
274	1.65.34166	Cylinder lock, flush mounting, square, GL66	22.88	20.590	2,059.00
274	1.65.34176	Cylinder lock, flush mounting, square, GL76	42.57	38.316	3,831.57
274	1.65.34356	Cylinder lock, flush mounting, double beard, GL56	21.35	19.208	1,920.81
274	1.65.34366	Cylinder lock, flush mounting, double beard, GL66	22.88	20.590	2,059.00

□.□□.□□□□□□.□□.99 = PU of 100 pieces

Page	Article-No.	Description	1 Piece	PU = 100 Pcs	
			\$/Piece	\$/Piece	\$/PU
274	1.65.34376	Cylinder lock, flush mounting, double beard, GL76	42.57	38.316	3,831.57
274	1.65.34540	Square key 8, 40 mm	1.46	1.319	131.91
274	1.65.34581	Square key 8, 81 mm	2.77	2.487	248.74
274	1.65.34740	Double beard key 3, 40 mm	1.46	1.319	131.91
274	1.65.34789	Double beard key 3, 89 mm	2.77	2.487	248.74
274	1.65.349xxx.x	Security latch - all sizes	1.28	1.143	114.31
276	1.65.4001L40	Mortise deadlock installation set without lock, left, PG 40	104.41		
276	1.65.4001L45	Mortise deadlock installation set without lock, left, PG 45	116.69		
276	1.65.4001R40	Mortise deadlock installation set without lock, right, PG 40	104.41		
276	1.65.4001R45	Mortise deadlock installation set without lock, right, PG 45	116.69		
277	1.65.4002L40	Mortise deadlock installation set with lock, left, PG 40	170.29		
277	1.65.4002L45	Mortise deadlock installation set with lock, left, PG 45	171.97		
277	1.65.4002R40	Mortise deadlock installation set with lock, right, PG 40	170.29		
277	1.65.4002R45	Mortise deadlock installation set with lock, right, PG 45	171.97		
276	1.65.4101x40	Mortise deadlock case without lock, PG 40	49.13		
276	1.65.4101x45	Mortise deadlock case without lock, PG 45	61.42		
277	1.65.4102x40	Mortise deadlock case with lock, PG 40	55.27		
277	1.65.4102x45	Mortise deadlock case with lock, PG 45	67.56		
276	1.65.4211L40	Mortise deadlock, left side, PG 40	61.42		
276	1.65.4211L45	Mortise deadlock, left side, PG 45	61.42		
276	1.65.4211R40	Mortise deadlock, right side, PG 40	61.42		
276	1.65.4211R45	Mortise deadlock, right side, PG 45	61.42		
277	1.65.421240	Lock insert with 2 keys, PG 40	41.74		
277	1.65.421245	Lock insert with 2 keys, PG 45	41.74		
277	1.65.4213	Rosette set	15.22		
278	1.65.4220	Door handle set	54.17		
278	1.65.4221	Handle with rosette	52.61		
278	1.65.4230	Door knob set	62.82		
278	1.65.4231	Door knob with rosette	65.61		
278	1.65.425140	Push pin for 1 door handle, PG 40	9.56		
278	1.65.425145	Push pin for 1 door handle, PG 45	9.56		
278	1.65.425240	Push pin for 2 door handles, PG 40	9.56		
278	1.65.425245	Push pin for 2 door handles, PG 45	9.56		
280	1.65.5110	Profile machining 30x60 for bar lock	155.45		
280	1.65.5120	Profile machining 40x80 for bar lock	186.85		
280	1.65.5210L	Bar lock, left side	37.69		
280	1.65.5210R	Bar lock, right side	37.69		
281	1.65.5310	Assembly accessories 30x60 for bar lock	95.00		
281	1.65.5311	Cover plate 30x60	45.53		
281	1.65.5312	Front plate 30x60	7.86		
281	1.65.5313	Bar, L1000	11.31		
281	1.65.5320	Assembly accessories 40x80 for bar lock	102.06		
281	1.65.5321	Cover plate 40x80	48.68		
281	1.65.5322	Front plate 40x80	9.82		
282	1.65.5410	Olive installation set for bar lock, without lock, for profile 30x60	36.12		
282	1.65.5420	Olive installation set for bar lock, without lock, for profile 40x80	39.25		
282	1.65.5431	Olive without lock	30.63		
282	1.65.5432	Rosette	5.11		
282	1.65.5510	Olive installation set for bar lock with lock, for profile 30x60	58.89		
282	1.65.5520	Olive installation set for bar lock with lock, for profile 40x80	58.89		
282	1.65.5531	Olive with lock, incl. 2 keys	53.39		
282	1.65.5600	Lock mounting set with square key for bar lock	21.92		
282	1.65.5601	Lock insert	5.11		
282	1.65.5602	Key catch	1.97		
282	1.65.5604	Square key 8 mm	9.27		
282	1.65.5700	Lock mounting set with double beard key for bar lock	21.92		
282	1.65.5701	Lock insert	5.11		

□.□□.□□□□□□□□.99 = PU of 100 pieces

Page	Article-No.	Description	1 Piece	PU = 100 Pcs	
			\$/Piece	\$/Piece	\$/PU
282	1.65.5702	Key catch	1.97		
282	1.65.5704	Double beard key D5	11.62		
283	1.65.6010	Latch lock without lock	45.91	41.318	4,131.80
283	1.65.6020	Latch lock with lock, all keyed alike	53.59	48.228	4,822.75
283	1.65.6030	Latch lock with lock, key different	53.59	48.228	4,822.75
284	1.66.1395	Roller 39	16.16		
285	1.66.2290	Roller 29	13.19		
285	1.66.3100	Twin track guide, L2500	18.50		
287	1.66.5160	Roller fastening set type A, one sided, complete	28.16		
287	1.66.5260	Roller fastening set type A, double sided, complete	41.46		
287	1.66.5298	Roller bracket type A, right	13.78		
287	1.66.5299	Roller bracket type A, left	13.78		
289	1.66.5360	Roller fastening set type B, complete	28.16		
289	1.66.5399	Roller bracket type B	13.78		
290	1.66.70808	Mounting adaptor for roller, Ø8	1.81	1.633	163.31
291	1.66.7523860	Edge roller Ø38/Ø60	4.23	3.806	380.65
293	1.66.8020	Runner for suspended door	233.95		
293	1.66.8030	Stopper for suspended door	27.48		
293	1.66.8040	Bottom guide for suspended door	14.12		
293	1.66.8050	Frame guide for suspended door	12.57		
293	1.66.8060	Rubber door stop for suspended door	1.42		
294	1.66.81140	Runner for sliding suspended door, PG 40, Alu C-track 32x31	16.89		
294	1.66.81145	Runner for sliding suspended door, PG 45, Alu C-track 32x31	16.89		
295	1.66.8201055	Stopper Type 1 for sliding suspended door, complete	22.14		
295	1.66.8202065	Stopper Type 2 for sliding suspended door, complete	16.28		
299	1.67.2002	Distance washer D22 d8.3	1.40		
299	1.67.2008	Distance washer D28 d13.0	1.49		
296	1.67.42E3M8	Slot roller E3, M8	13.75	12.374	1,237.41
296	1.67.42E4M8	Slot roller E4, M8	13.75	12.374	1,237.41
299	1.67.E2M61400	T-nut sliding block E, 2xM6	13.97		
299	1.67.E2M81400	T-nut sliding block E, 2xM8	14.27		
299	1.67.E2M81408	T-nut sliding block E, 2xM8, for Eco-Slide with clamping lever	17.05		
298	1.67.E3E3	Sliding block E3	5.65		
298	1.67.E3E4	Sliding block E3/E4	5.65		
298	1.67.E4E4	Sliding block E4	5.93		
299	1.67.EM6	T-Nut sliding block E, M6	3.06		
299	1.67.EM8	T-Nut sliding block E, M8	3.06		
298	1.67.F2E3	Sliding block F/E3	5.65		
298	1.67.F2E4	Sliding block F/E4	5.65		
298	1.67.F2F2	Sliding block F	5.35		
299	1.67.FM6	T-Nut sliding block F, M6	3.06		
299	1.67.FM8	T-Nut sliding block F, M8	3.06		
301	1.67.S101.030030F	Eco-Slide, PG 30 - 30 F	89.06		
301	1.67.S101.030060F	Eco-Slide, PG 30 - 60 F	99.80		
301	1.67.S101.030100F	Eco-Slide, PG 30 - 100 F	102.88		
301	1.67.S101.030150F	Eco-Slide, PG 30 - 150 F	105.95		
302	1.67.S101.040040E	Eco-Slide, PG 40 - 40 E	90.59		
302	1.67.S101.040080E	Eco-Slide, PG 40 - 80 E	101.33		
302	1.67.S101.040120E	Eco-Slide, PG 40 - 120 E	104.41		
302	1.67.S101.040160E	Eco-Slide, PG 40 - 160 E	107.48		
303	1.67.S101.045045E	Eco-Slide, PG 45 - 45 E	92.13		
303	1.67.S101.045090E	Eco-Slide, PG 45 - 90 E	104.41		
301	1.67.S102.030030F	Eco-Slide, PG 30 - 30 F, with clamping lever	109.02		
301	1.67.S102.030060F	Eco-Slide, PG 30 - 60 F, with clamping lever	121.30		
301	1.67.S102.030100F	Eco-Slide, PG 30 - 100 F, with clamping lever	124.37		

□.□.□.□.□.□.□.□.99 = PU of 100 pieces

Page	Article-No.	Description	PU = 100 Pcs		
			1 Piece \$/Piece	\$/Piece	\$/PU
301	1.67.S102.030150F	Eco-Slide, PG 30 - 150 F, with clamping lever	125.90		
302	1.67.S102.040040E	Eco-Slide, PG 40 - 40 E, with clamping lever	110.55		
302	1.67.S102.040080E	Eco-Slide, PG 40 - 80 E, with clamping lever	124.37		
302	1.67.S102.040120E	Eco-Slide, PG 40 - 120 E, with clamping lever	124.37		
302	1.67.S102.040160E	Eco-Slide, PG 40 - 160 E, with clamping lever	127.44		
303	1.67.S102.045045E	Eco-Slide, PG 45 - 45 E, with clamping lever	112.08		
303	1.67.S102.045090E	Eco-Slide, PG 45 - 90 E, with clamping lever	122.84		
304	1.68.201050	Hanging bracket	6.44	5.791	579.14
305	1.69.1606	Carabine swivel 60x6	3.54		
305	1.69.E010	Suspended glider E	5.11		
305	1.69.F010	Suspended glider F	5.11		
307	1.70.10EM8	Ground connection E, M8	3.87		
307	1.70.10FM6	Ground connection F, M6	3.87		
308	1.71.1010	Cable and hose clamp	4.64		
309	1.71.2010	Block for cable binder	0.52	0.465	46.48
309	1.71.2020E3	Cross-block for cable binder E3	1.22	1.105	110.55
309	1.71.2020E4	Cross-block for cable binder E4	1.22	1.105	110.55
309	1.71.2020F2	Cross-block for cable binder F	1.22	1.105	110.55
309	1.71.2048145	Cable binder, detachable 4.8x145	0.19	0.163	16.33
309	1.71.2090140	Cable binder, detachable 9x140	0.39	0.352	35.18
310	1.71.30285	Installation ring Ø28.5	3.29	2.952	295.22
310	1.71.30365	Installation ring Ø36.5	3.42	3.078	307.78
310	1.71.30475	Installation ring Ø47.5	3.56	3.203	320.34
310	1.71.30565	Installation ring Ø56.5	3.70	3.329	332.91
311	1.72.2010.10	Mounting set for 19"-profile	22.00		
312	1.73.3010	Safety switch with 1 safety contact	55.70		
312	1.73.3020	Safety switch with 1 safety contact and 1 alarm contact	65.64		
312	1.73.3030	Safety switch with 1 closing and 1 positioning monitoring	320.90		
313	1.73.3111	Safety switch AZ 17-11 zk with 1 positive-break safety contact	62.82		
313	1.73.3112	Safety switch AZ 17-02 zk with 2 positive-break safety contacts	62.82		
313	1.73.3121	Guard locking device AZM 170-11 zk (Closed-circuit system)	353.77		
313	1.73.3122	Guard locking device AZM 170-02 zk (Closed-circuit system)	306.95		
313	1.73.3131	Guard locking device AZM 170-11 zka (Working current principle)	327.88		
313	1.73.3132	Guard locking device AZM 170-02 zka (Working current principle)	313.92		
314	1.73.4010	Safety interlocking-mounting for swinging door	9.43		
314	1.73.4020	Safety interlocking-mounting with lock for swinging door	14.92		
315	1.73.4030	Contact bracket-mounting for sliding door	12.57		
315	1.73.4040	Safety interlocking-mounting for sliding door	12.57		
316	1.73.4110	Safety interlocking-mounting AZ 17 for swinging door	9.43		
318	1.73.4123	Contact bracket-mounting AZ 17, L30 for sliding door	12.57		
318	1.73.4124	Contact bracket-mounting AZ 17, L40 for sliding door	12.57		
318	1.73.4125	Contact bracket-mounting AZ 17, L50 for sliding door	12.57		
318	1.73.4130	Safety interlocking-mounting AZ 17 for sliding door	12.57		
318	1.73.4140	Angle for safety interlocking-mounting AZ 17 for sliding door	9.43		
319	1.73.80806	Sensor bracket 8, Ø6.5	2.30	2.073	207.28
319	1.73.80808	Sensor bracket 8, Ø8	2.30	2.073	207.28
319	1.73.80812	Sensor bracket 8, Ø12	2.30	2.073	207.28
327	1.75.1000E3	Clip E3	2.22	1.997	199.74
327	1.75.1000E4	Clip E4	2.22	1.997	199.74
326	1.75.2040202	E-trunking Alu, end plate 40x20	4.91		
326	1.75.2040402	E-trunking Alu, end plate 40x40	5.53		
326	1.75.2040802	E-trunking Alu, end plate 40x80	8.11		
326	1.75.2080402	E-trunking Alu, end plate 80x40	8.11		
327	1.75.2140202	E-trunking Alu, end plate 40x20, Clips	4.91		
326	1.75.2200503	E-trunking Alu, end plate 200x50	9.52		

□.□.□.□.□.□.□.□.99 = PU of 100 pieces

Page	Article-No.	Description	1 Piece	PU = 100 Pcs	
			\$/Piece	\$/Piece	\$/PU
328	1.81.1010	Corner element outside	1.62		
328	1.81.1020	Corner element inside	3.76		
329	1.81.23310	Corner element 33	3.35		
330	1.81.510E3	Mounting socket, E3	3.75	3.379	337.93
330	1.81.510E4	Mounting socket, E4	3.75	3.379	337.93
330	1.81.510F	Mounting socket, F	3.75	3.379	337.93
338	1.98.11.21.B00R	Press in device for knurled cross bushing	123.74		
338	1.98.11.21.B00R/01	Base body	61.98		
338	1.98.11.21.B00R/05	Axle bolt complete, Ø8g 6x35 mm	7.18		
338	1.98.T40.090090	Tx screw driver for Torx 40 screws	2.51	2.261	226.13
340	1.99.01011	Drill jig H with setscrew	98.31		
340	1.99.01012	Drill jig H with clamping lever	109.75		
340	1.99.01012-01	Base body for drill jig	35.72		
340	1.99.01012-02	Drill bush for parallel-anchor Ø6.2	55.70		
340	1.99.01012-03	Drill bush for cross bushing Ø9.2	43.58		
340	1.99.01012-04	Safety screw for drill bush, M6x4	11.03		
340	1.99.01012-05	Stop pin	4.96		
342	1.99.01111	Drill jig F/E with setscrew	103.00		
342	1.99.01112	Drill jig F/E with clamping lever	115.88		
342	1.99.01112-01	Base body for drill jig	27.16		
342	1.99.01112-02	Drill bush for parallel-anchor Ø12.2	59.88		
342	1.99.01112-03	Drill bush for cross bushing Ø15.25	51.66		
342	1.99.01112-04	Safety screw for drill bush, M8x5.5	13.82		
342	1.99.01112-05	Stop pin	5.17		
342	1.99.01112-06	Setscrew for stop pin	0.31		
341	1.99.0210645	Milling cutter for parallel-anchor, Ø6.2 L60 F2.0x45 deg.	76.95		
341	1.99.02109000	Milling cutter for cross bushing, Ø9.2 L70	58.89		
341	1.99.02109452	Milling cutter for cross bushing, Ø9.2 L70 F1.5x45 deg.	58.89		
343	1.99.02112451	Milling cutter for cross bushing ST Ø12,2 L83 F1x45 deg.	98.13		
343	1.99.02115000	Milling cutter for cross bushing SE, Ø15.2 L90	102.57		
343	1.99.02115452	Milling cutter for cross bushing, Ø15.2 L90 F1.5x45 deg.	102.26		
344	1.99.02115454	Milling cutter for cross bushing, Ø15.2 L90 F4.0x45 deg.	102.26		
341	1.99.0310645	Drill for parallel-anchor, Ø6.2 L100 F2.0x45 deg.	29.43		
341	1.99.0310800	Drill for miter anchor Ø8.5 L120	39.25		
341	1.99.03109000	Drill for cross bushing, Ø9.2 L120	34.94		
341	1.99.03109452	Drill for cross bushing, Ø9.2 L120 F1.5x45 deg.	34.94		
343	1.99.0311245	Drill for parallel-anchor, Ø12.2 L150 F2.0x45 deg.	47.11		
343	1.99.03115452	Drill for cross bushing, shaft MK2, Ø15.25 L210 F1.5x45 deg.	51.83		
344	1.99.03115454	Drill for cross bushing, shaft MK2, Ø15.25 L210 F4.0x45 deg.	51.83		
343	1.99.03215452	Drill for cross bushing, cylind. shaft, Ø15,25 L190 F1.5x45 deg.	55.02		
344	1.99.03215454	Drill for cross bushing, cylind. shaft, Ø15,25 L190 F4.0x45 deg.	67.87		
345	1.99.0406080	Screw tap M6, L80	45.75		
345	1.99.0408090	Screw tap M8, L90	52.97		
346	1.99.0412110	Screw tap M12, L110	74.99		
346	1.99.0414110	Screw tap M14, L110	80.96		
346	1.99.0414150	Screw tap M14, L150	136.79		

Page	Article-No.	Description	bar 6 m		Packing Unit (PU)			
			\$/m	\$/bar	bars/PU	m/PU	\$/m	\$/PU
50	5.11.063R00.00SBP	Roller profile 60/31, heavy, B, plain	44.99	269.95	4	24	41.40	993.51
50	5.11.103R00.00SBP	Roller profile 103/53, heavy, B, plain	92.34	554.01	2	12	85.01	1,020.11
50	5.11.152R00.00SBP	Roller profile 152/75, heavy, B, plain	164.48	986.86				
51	9.11.080080.83SBP	Telescopic profile 80×80, 8E, heavy, B, plain	74.44	446.67				
51	9.11.120120.123SP	Telescopic profile 120×120, 12E, heavy, plain	111.69	670.13				
51	9.11.160160.163SP	Telescopic profile 160×160, 16E, heavy, plain	161.66	969.97				

Imprint

Subject to technical modification.

All rights reserved.

Copying - also in parts - only allowed
by written consent.

© MayTec Aluminium Systemtechnik GmbH,
D - 85221 Dachau, 2012

The key ...

to success

extreme
strong
dependable

Australia

MayTec Australia P/L

Unit 8, 175 James Ruse Drive
Rosehill, NSW 2142

country code: +61
phone (0)2/98989929
fax (0)2/96384086
e-mail: info@maytec.com.au
<http://www.maytec.com.au>

Germany

MayTec Aluminium
Systemtechnik GmbH
Kopernikusstraße 20
D-85221 Dachau

country code: +49
phone (0)8131/3336-0
fax (0)8131/3336-119
e-mail: mail@maytec.de
<http://www.maytec.de>

USA

MayTec Inc.

901 Wesemann Drive
West Dundee, IL 60118

country code: +1
phone 847-429-0321
fax 847-429-0460
e-mail: mail@maytecinc.com
<http://www.maytecinc.com>

Your professional partner